



US00D924615S

(12) **United States Design Patent** (10) **Patent No.:** **US D924,615 S**
Murad (45) **Date of Patent:** **** Jul. 13, 2021**

- (54) **FRENCH DOOR OVEN**
- (71) Applicant: **Team International Group of America Inc.**, Miami Gardens, FL (US)
- (72) Inventor: **Uri Murad**, Hollywood, FL (US)
- (**) Term: **15 Years**
- (21) Appl. No.: **29/715,055**
- (22) Filed: **Nov. 27, 2019**
- (51) **LOC (13) Cl.** **07-02**
- (52) **U.S. Cl.**
USPC **D7/350.1**
- (58) **Field of Classification Search**
USPC D7/323, 328, 329, 330, 332, 334, 337, D7/339, 347, 348, 349, 350.1, 350.2, D7/350.3, 350.4, 351, 402, 405
CPC A47J 37/00; A47J 37/206; A47J 37/0605; A47J 37/0623; A47J 37/0629; A47J 37/0641; A47J 37/0647; A47J 37/0664; A47J 37/0658; A47J 37/067; A47J 37/07; A47J 37/08; A47J 37/0807
See application file for complete search history.

(56) **References Cited**

U.S. PATENT DOCUMENTS

D677,971 S *	3/2013	Corriveau	F24C 15/023 D7/351
2007/0246036 A1 *	10/2007	Larsen	F24C 15/023 126/190
2016/0096050 A1 *	4/2016	Vermeersch	F24C 15/021 99/337
2019/0128532 A1 *	5/2019	Weaver	F24C 15/023

OTHER PUBLICATIONS

Oster French Convection Countertop and Toaster Oven, first available Aug. 14, 2015, Amazon, [online], [site visited Mar. 11, 2021],

Available from internet URL: <https://www.amazon.com/Oster-TSSTTVFDDG-Digital-French-Stainless/dp/B014D9LBCY> (Year: 2015).*

Kalorik 26 QT Digital Maxx Air Fryer Oven, first available Apr. 7, 2020, Amazon, [online], [site visited Mar. 12, 2021], Available from internet URL: <https://www.amazon.com/Kalorik-AFO-46045-SS-Accessories/dp/B0872DQV7Z> (Year: 2020).*

Kalorik 26 Quart Digital MAXX Air Fryer Oven, first available Sep. 7, 2020, Kalorik, [online], [site visited Mar. 12, 2021], Available from internet URL: <https://www.kalorik.com/products/maxx-air-fryer> (Year: 2020).*

Design No. 305811682, May 29, 2020—China National Intellectual Property Administration (CIPA) Publication Date—May 29, 2020 Owner—Huang Xiuhong WIPO, available at <https://www3.wipo.int/designdb/en/index.jsp> (Year: 2020).*

* cited by examiner

Primary Examiner — Mary Ann Calabrese
Assistant Examiner — Natalya M Rapundalo
 (74) *Attorney, Agent, or Firm* — Frank Marino

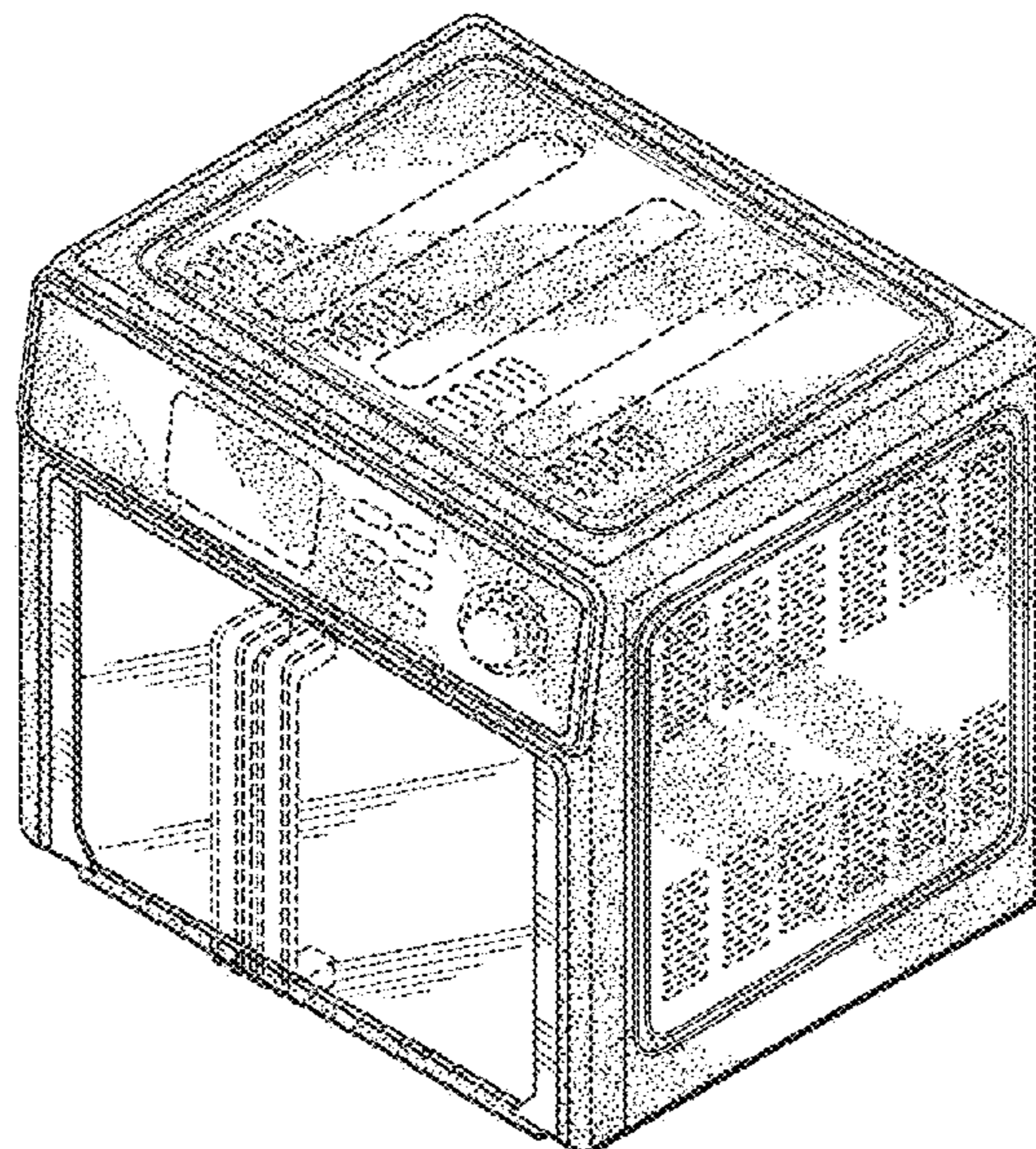
(57) **CLAIM**

The ornamental design for a French door oven, as shown and described.

DESCRIPTION

FIG. 1 is a perspective view of the French door oven according to my new design;
 FIG. 2 is a front view of the French door oven of FIG. 1;
 FIG. 3 is a cross-sectional view taken at Line 3-3 of FIG. 2;
 FIG. 4 is a left side view of the French door oven of FIG. 1, the right side view being a mirror image thereof;
 FIG. 5 is a cross-sectional view taken at Line 5-5 of FIG. 4;
 FIG. 6 is a top view of the French door oven of FIG. 1; and,
 FIG. 7 is a cross-sectional view taken at Line 7-7 of FIG. 6.
 The bottom view and the rear view form no part of the claimed design. Components shown in broken lines are for environment only and form no part of the claimed design.

1 Claim, 2 Drawing Sheets



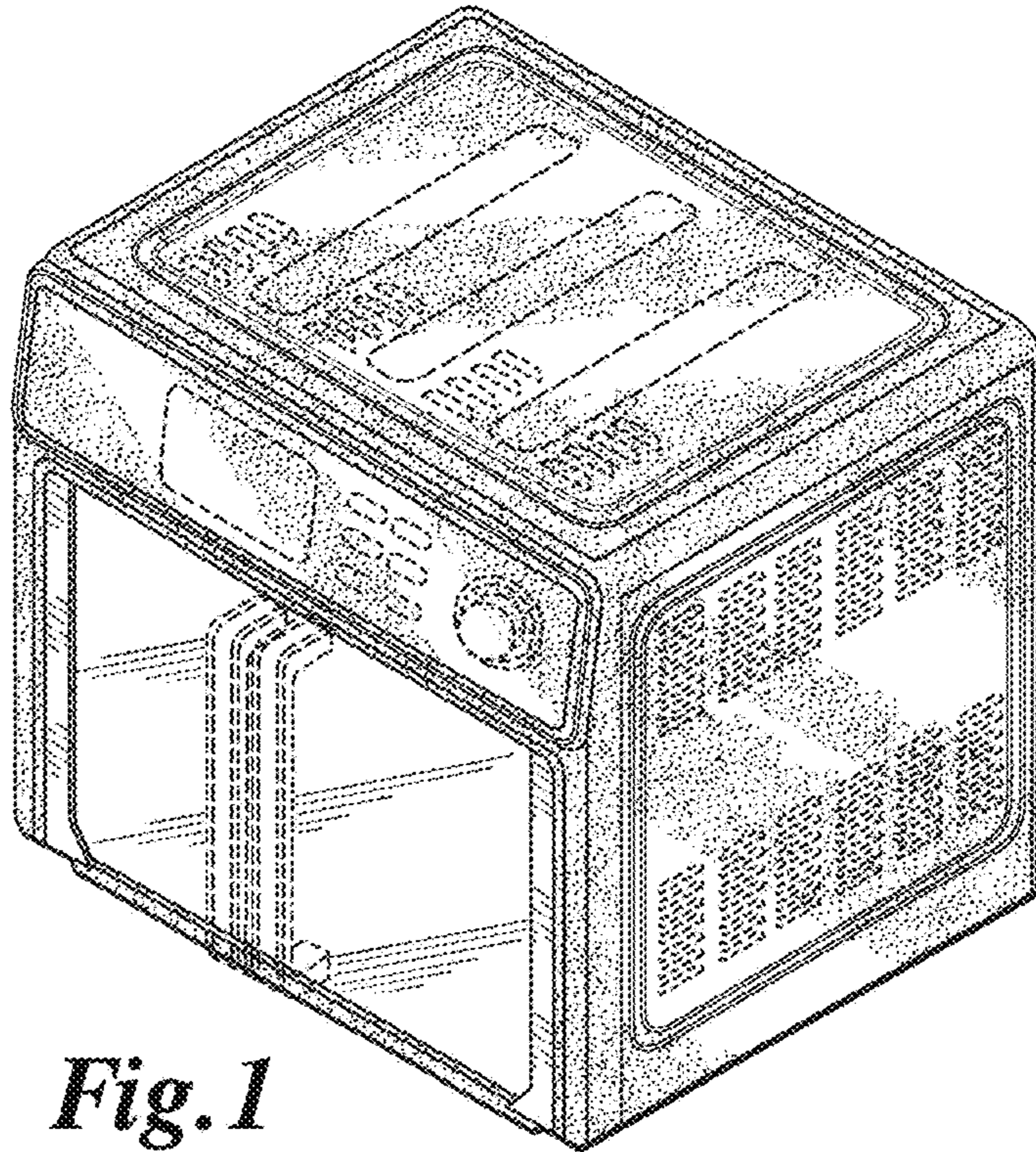


Fig. 1

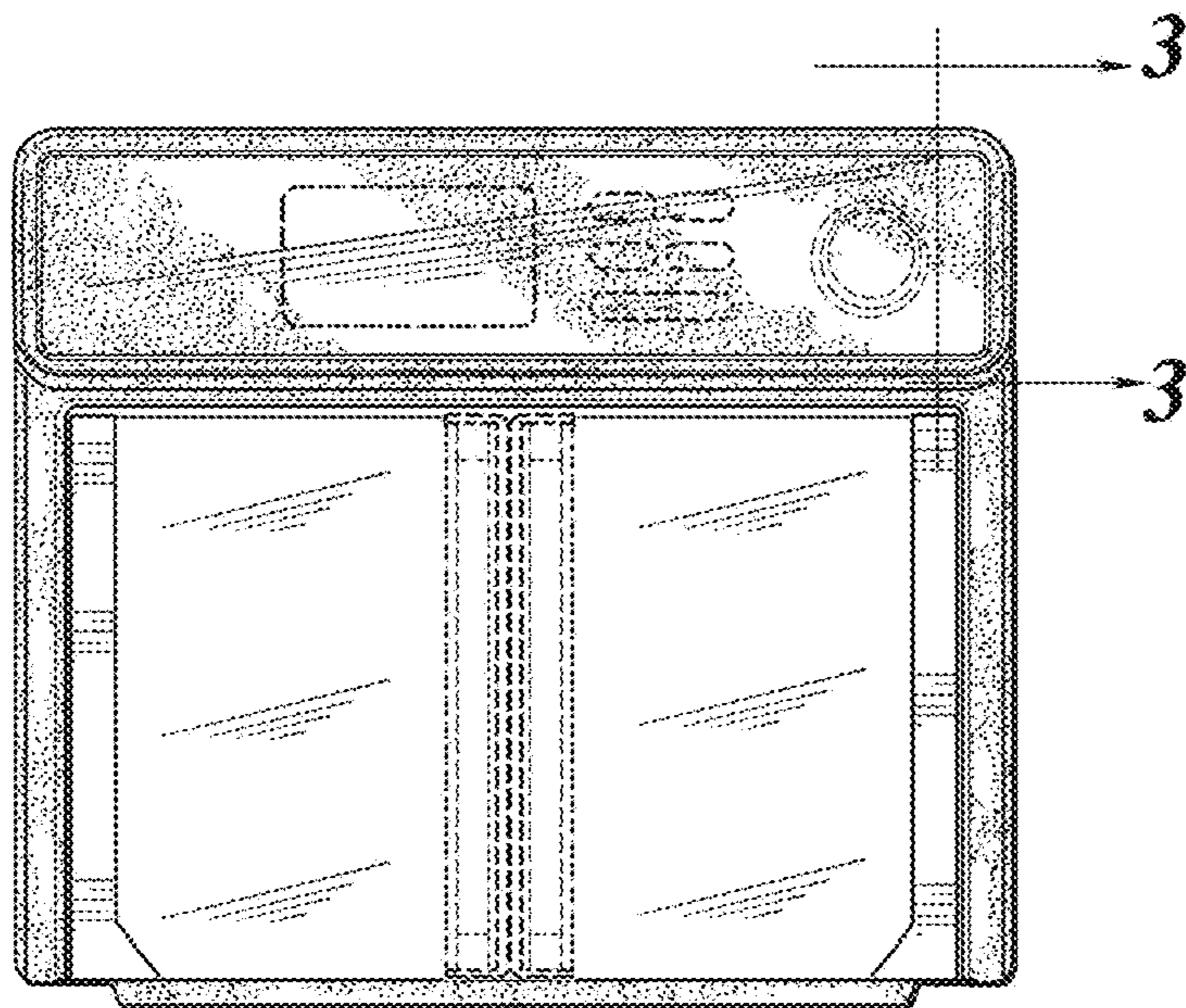


Fig. 2

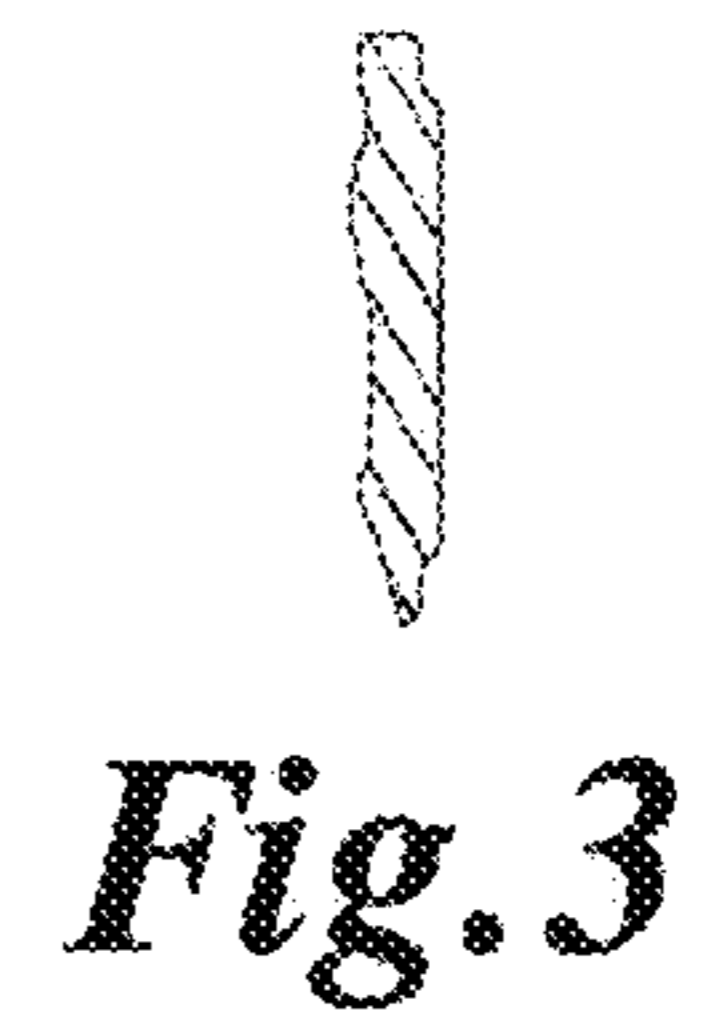


Fig. 3

