



US00D924614S

(12) **United States Design Patent**  
**Oudenhoven et al.**

(10) **Patent No.:** **US D924,614 S**

(45) **Date of Patent:** **\*\* Jul. 13, 2021**

(54) **BACKREST OF A CHAIR**

(71) Applicant: **Flokk AB**, Nässjö (SE)

(72) Inventors: **Rik Oudenhoven**, Helsinki (FI);  
**Joakim Ahlström**, Bromma (SE)

(73) Assignee: **FLOKK AB**, Nässjö (SE)

(\*\*) Term: **15 Years**

(21) Appl. No.: **29/667,618**

(22) Filed: **Oct. 23, 2018**

(30) **Foreign Application Priority Data**

Oct. 10, 2018 (WO) ..... 9575601

(51) **LOC (13) Cl.** ..... **06-01**

(52) **U.S. Cl.**  
USPC ..... **D6/716.4; D6/366**

(58) **Field of Classification Search**

USPC ..... D6/334-336, 364, 365, 366, 367, 374,  
D6/379, 716, 716.1, 716.4  
CPC .. A47C 4/028; A47C 7/02; A47C 7/18; A47C  
7/24; A47C 7/38; A47C 7/40; A47C 7/46;  
B60N 2/02

See application file for complete search history.

(56) **References Cited**

**U.S. PATENT DOCUMENTS**

D292,351 S \* 10/1987 Brassard ..... D6/366  
D295,701 S \* 5/1988 de Boer ..... D6/366

D350,032 S \* 8/1994 Beaulieu ..... D6/366  
D368,596 S \* 4/1996 Breen ..... D6/716  
D374,778 S \* 10/1996 Tedesco ..... D6/366  
D391,790 S \* 3/1998 Breen ..... D6/716  
D396,155 S \* 7/1998 Shamir ..... D6/716.4  
D405,969 S \* 2/1999 Beaulieu ..... D6/366  
D569,636 S \* 5/2008 Wagner ..... D6/366  
D665,604 S \* 8/2012 Wagner ..... D6/716.4  
D696,871 S \* 1/2014 Link ..... D6/366  
D782,241 S \* 3/2017 Welsh ..... D6/716.4  
D846,324 S \* 4/2019 Tsai ..... D6/716.4  
D883,693 S \* 5/2020 Bellini ..... D6/366

\* cited by examiner

*Primary Examiner* — Mimosa De

(74) *Attorney, Agent, or Firm* — Kolisch Hartwell, P.C.

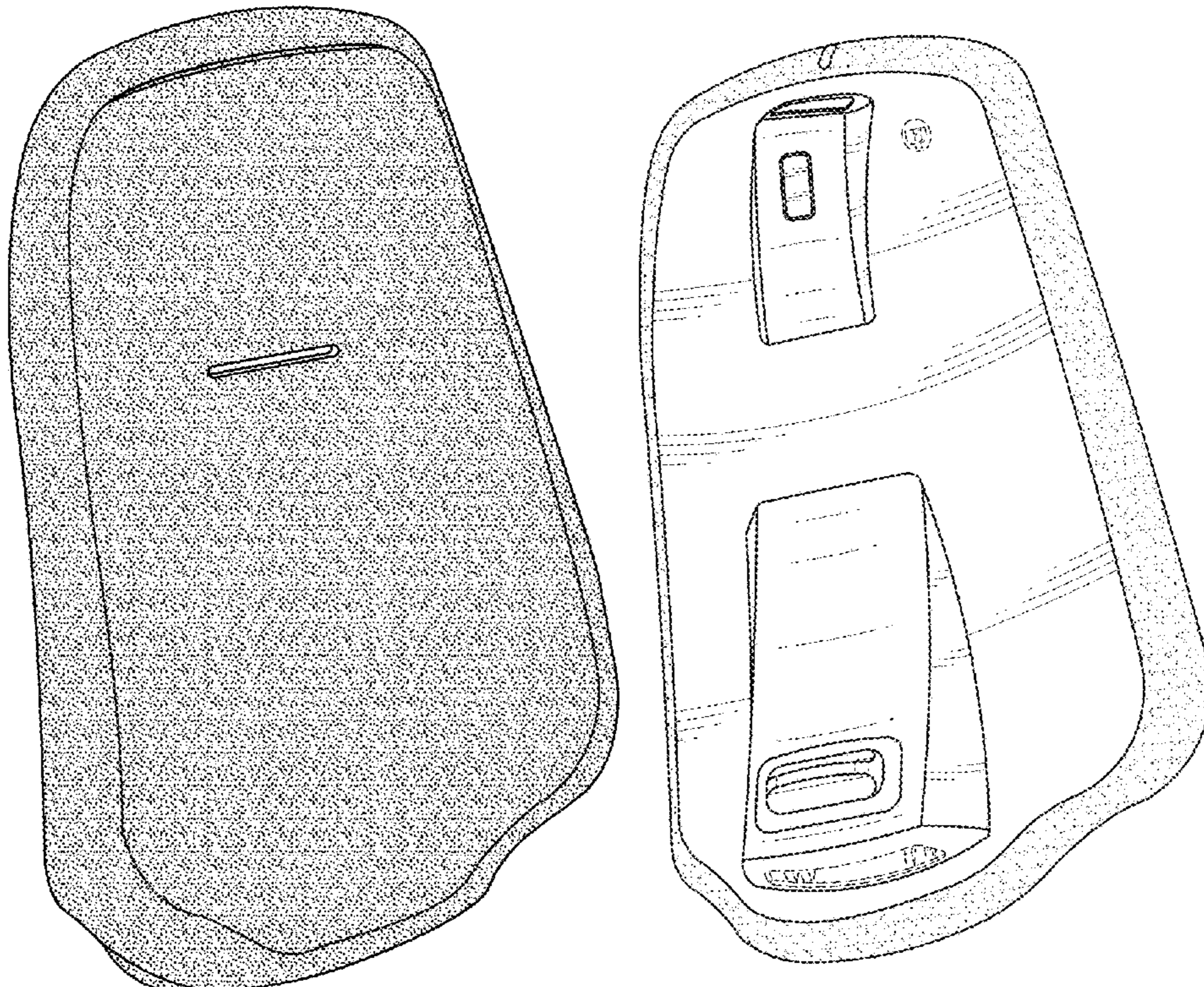
(57) **CLAIM**

The ornamental design for a backrest of a chair, as shown.

**DESCRIPTION**

FIG. 1 is an upper, front, and right side perspective view of a backrest of a chair showing the new design; FIG. 2 is a lower, rear, and right side perspective view thereof; FIG. 3 is a front elevation view thereof; FIG. 4 is a rear elevation view thereof; FIG. 5 is a left side elevation view thereof; FIG. 6 is a right side elevation view thereof; FIG. 7 is a top plan view thereof; and, FIG. 8 is a bottom plan view thereof.

**1 Claim, 8 Drawing Sheets**





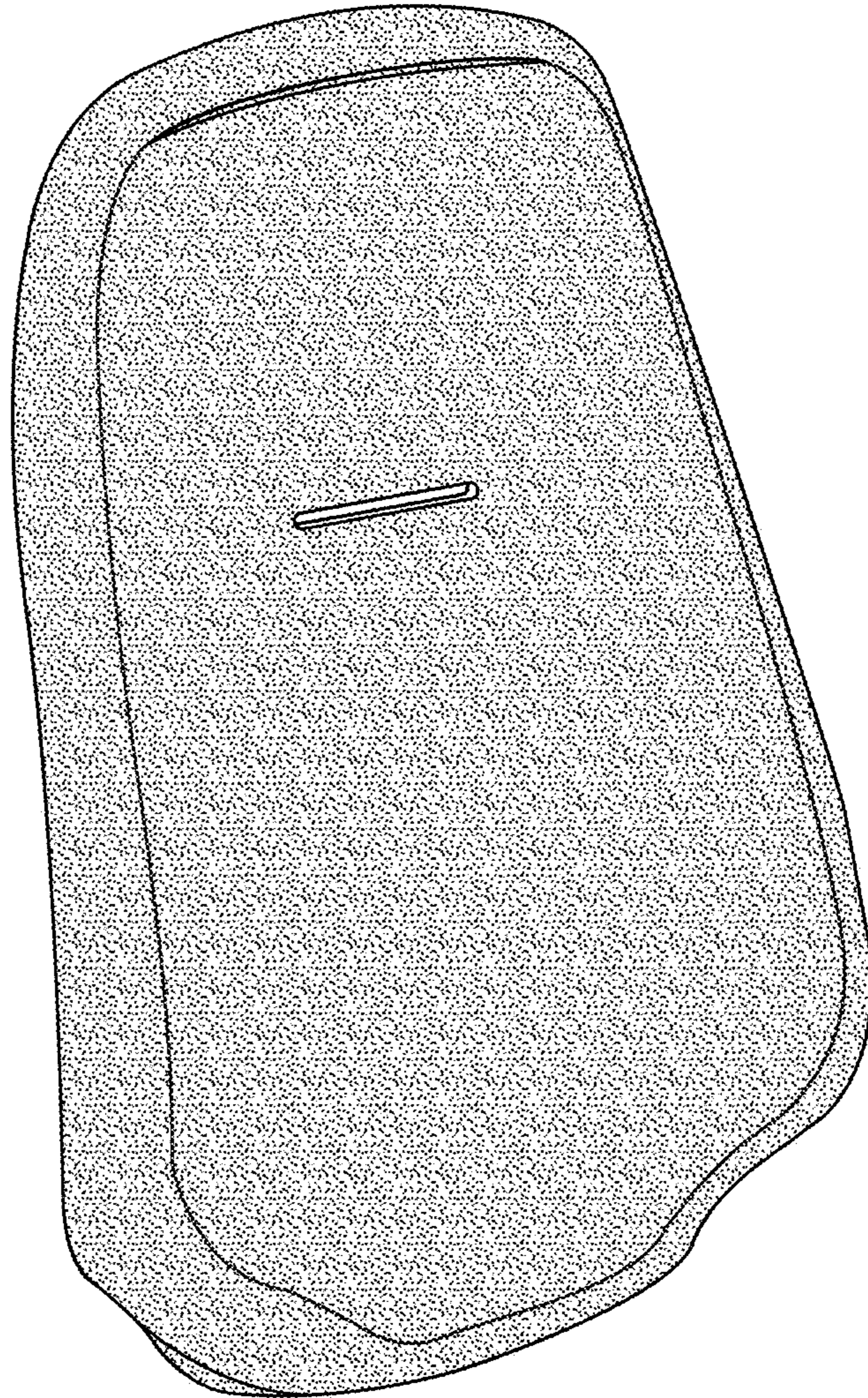


FIG. 1

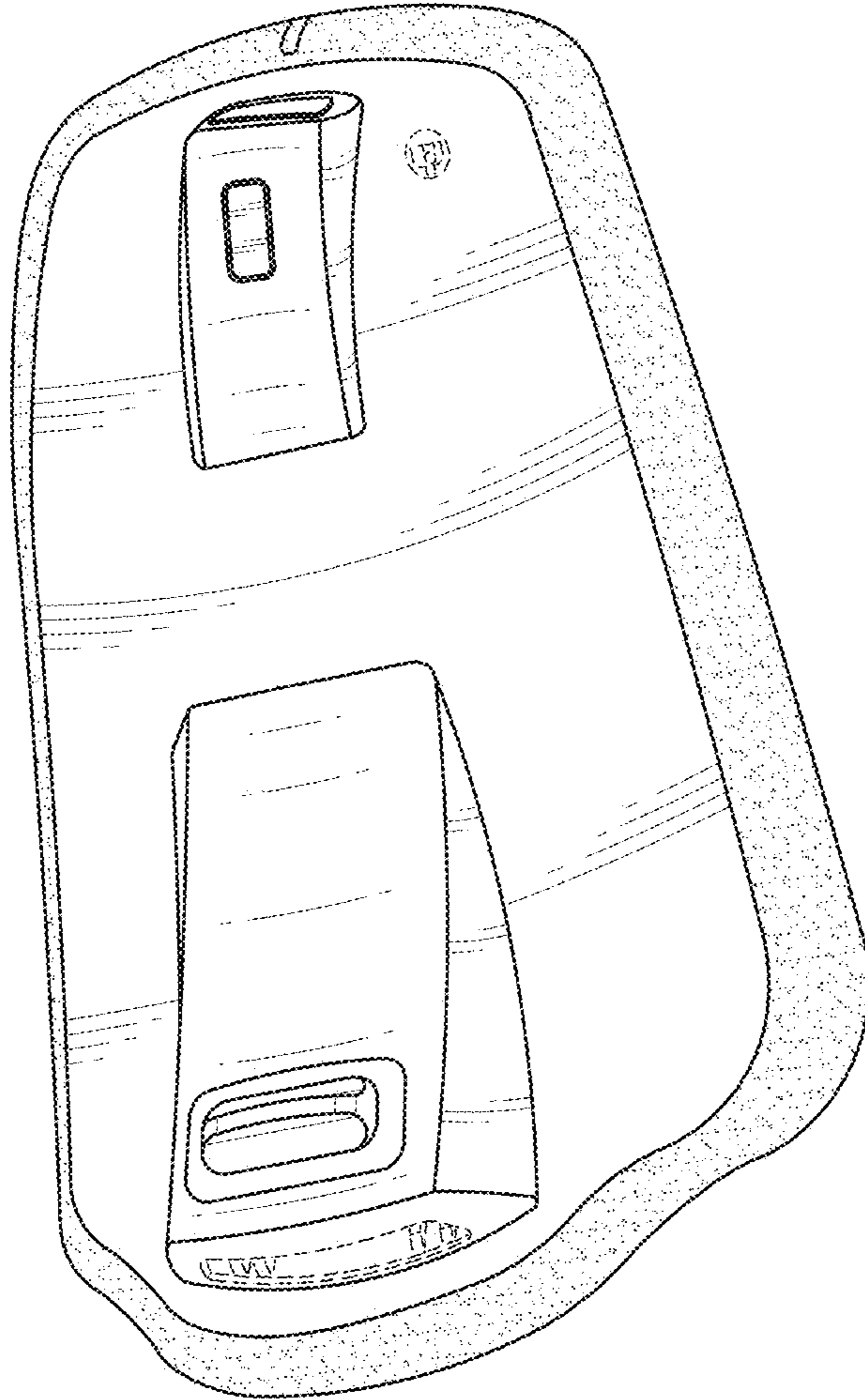


FIG. 2



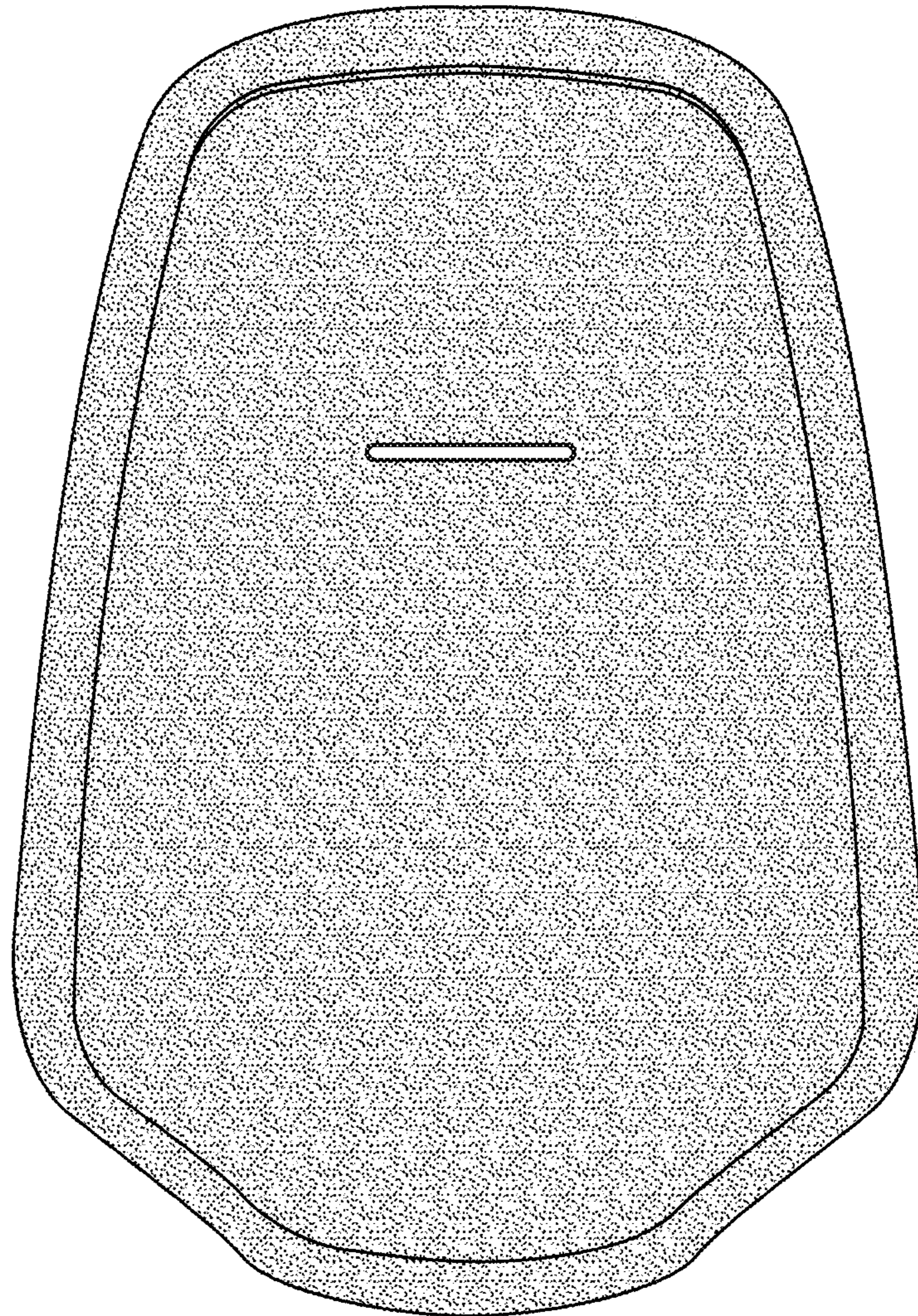


FIG. 3

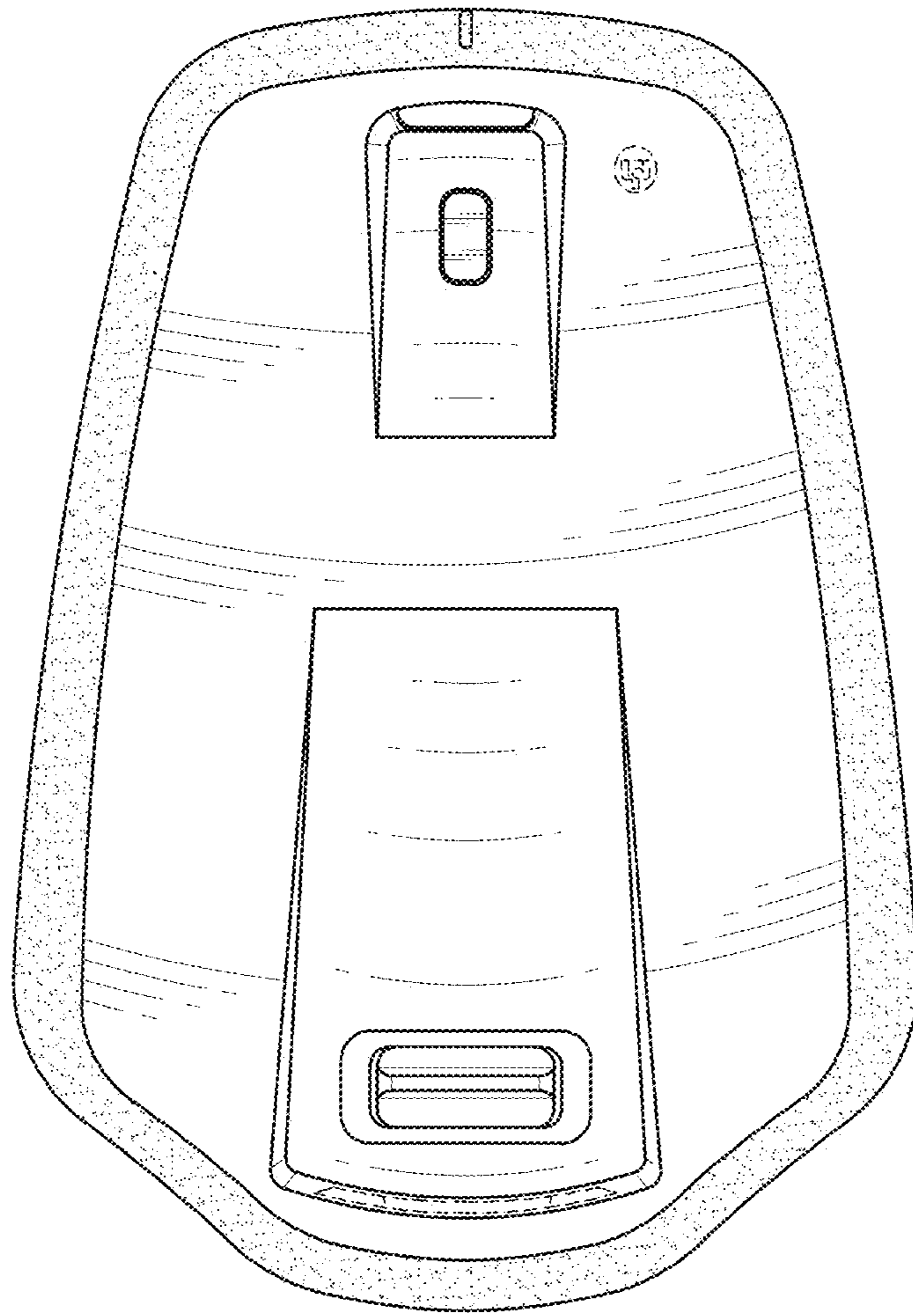


FIG. 4

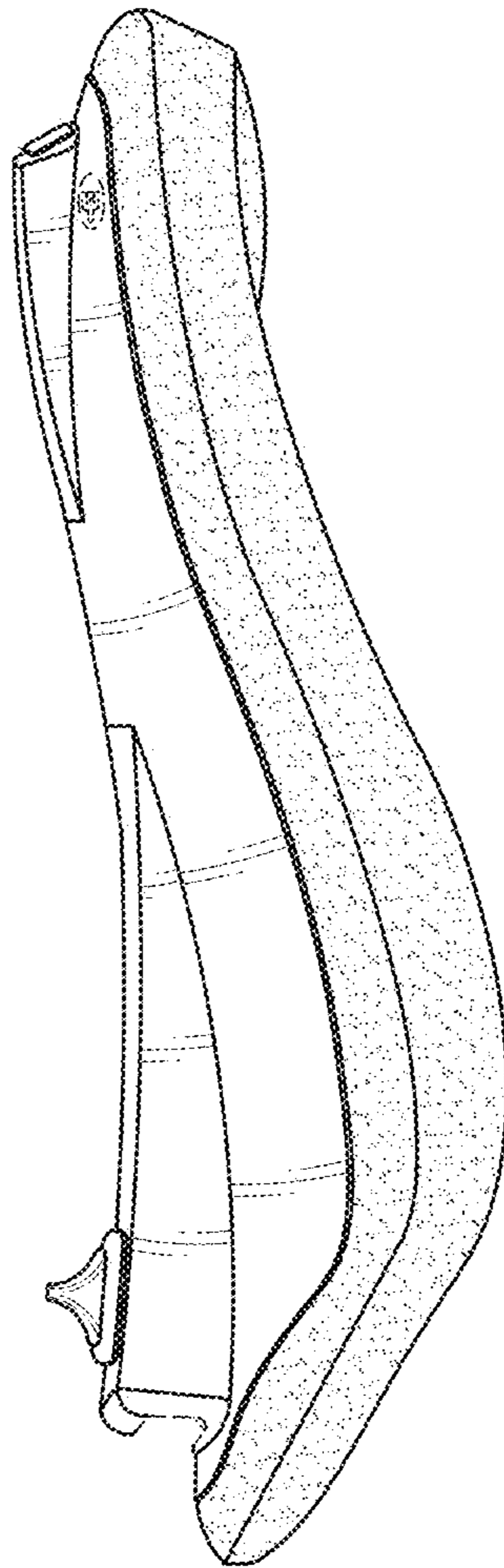


FIG. 5



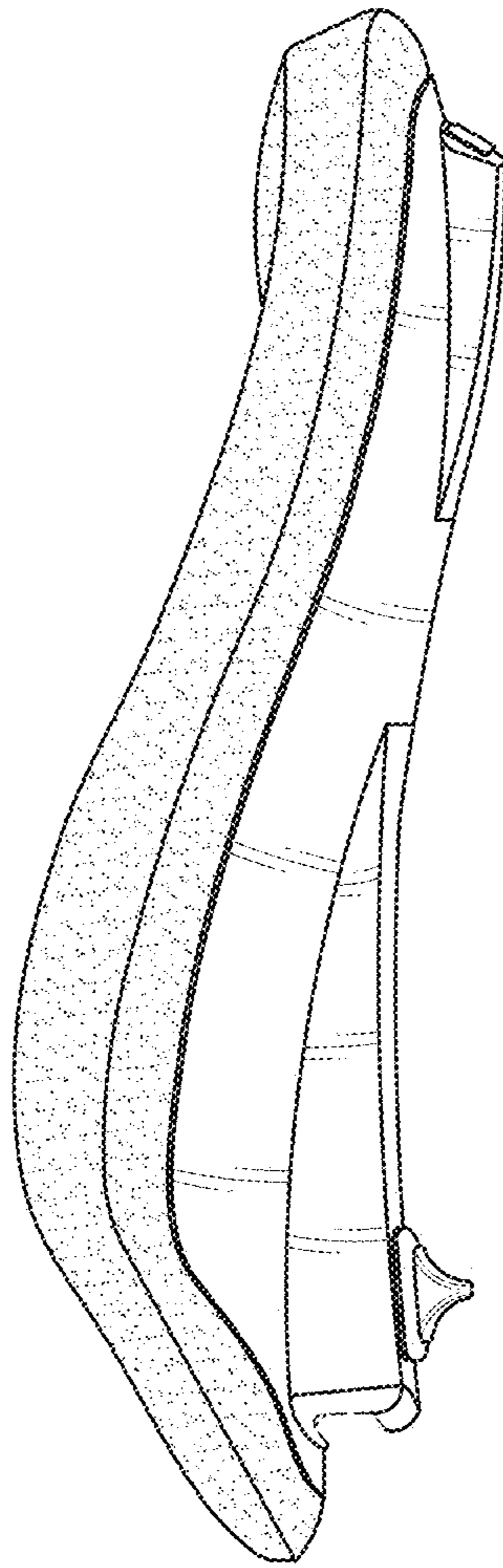


FIG. 6

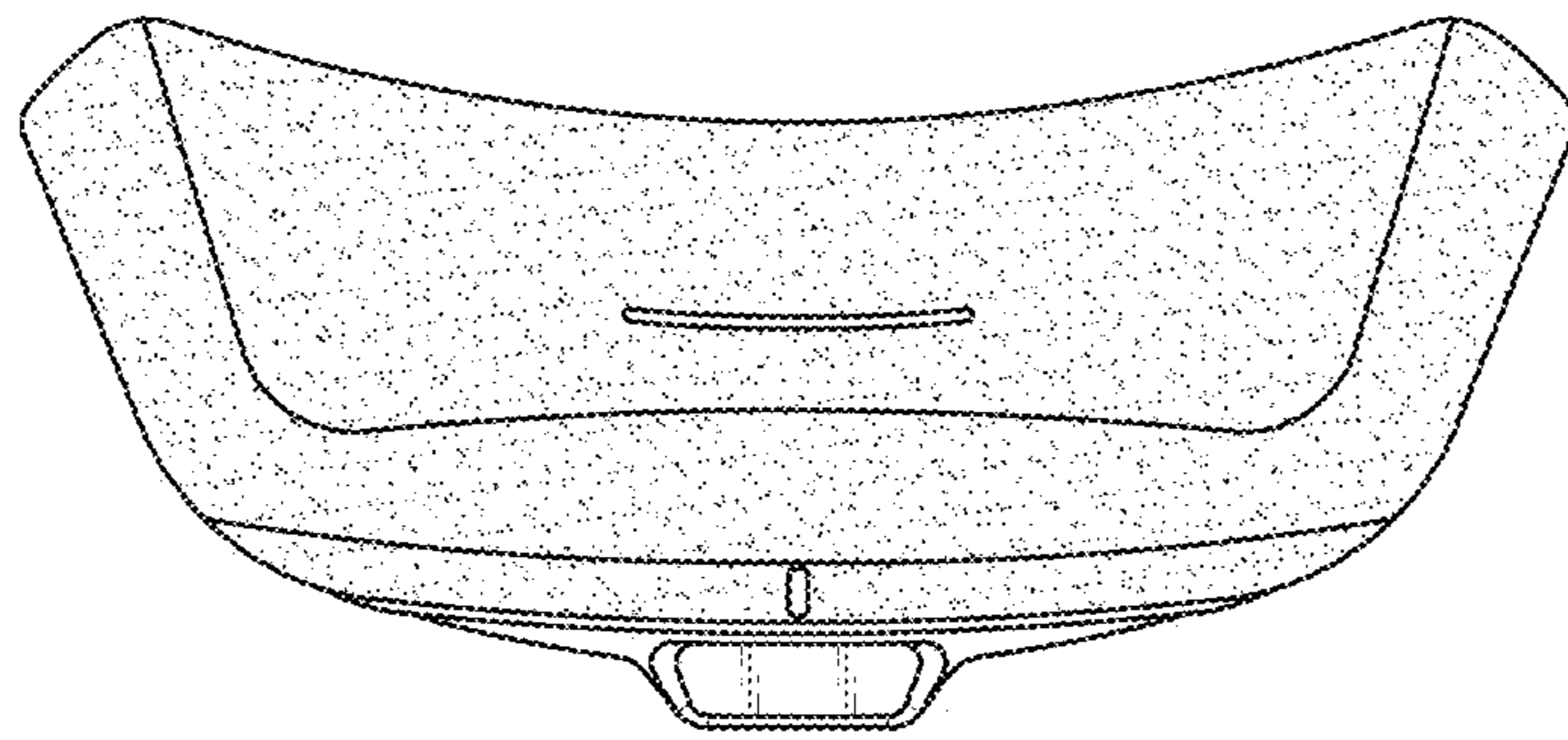


FIG. 7



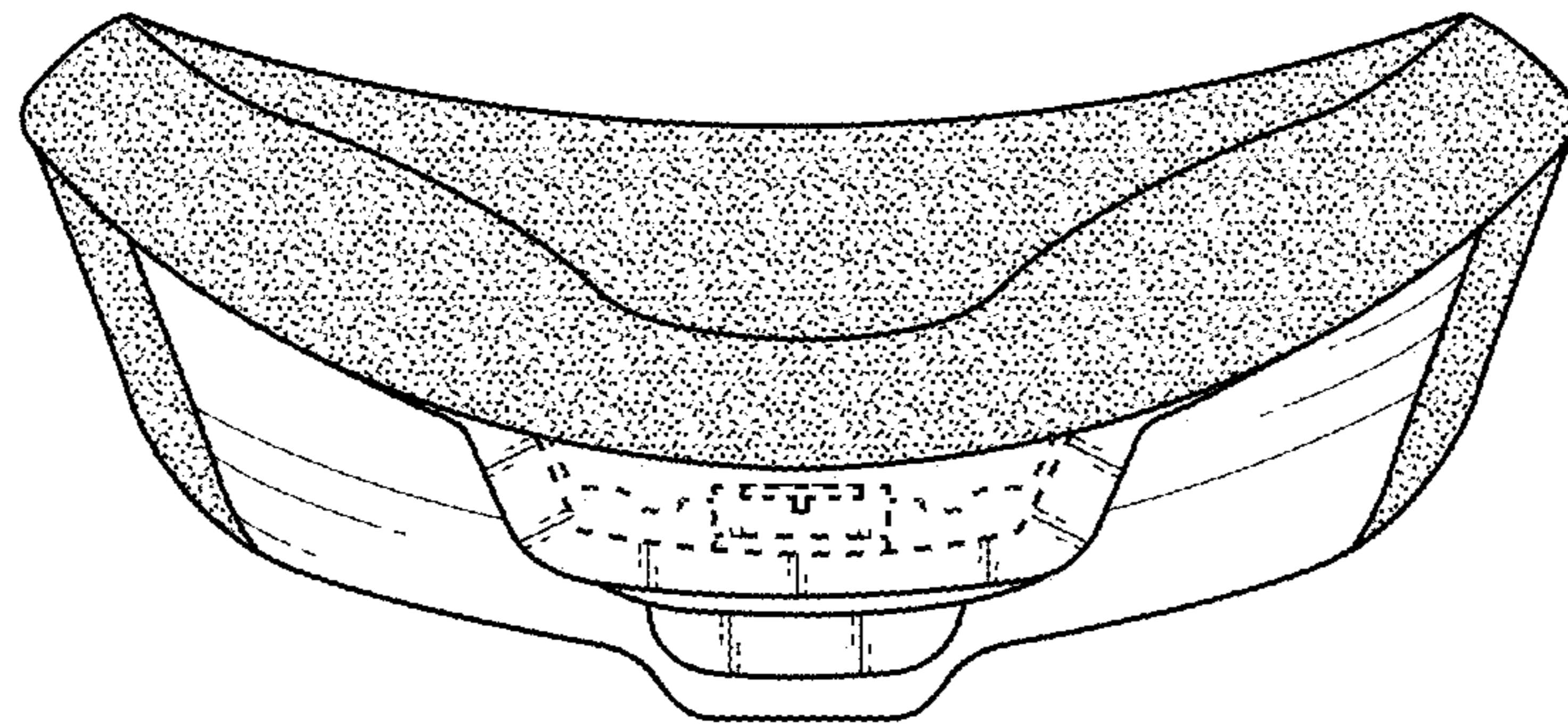


FIG. 8