



US00D924612S

(12) **United States Design Patent** (10) **Patent No.:** **US D924,612 S**
van Thiel et al. (45) **Date of Patent:** **** *Jul. 13, 2021**

(54) **TABLE**

(71) Applicant: **RH US, LLC**, Corte Madera, CA (US)

(72) Inventors: **Rudolph F. T. van Thiel**, Roanoke, VA (US); **Rudolf C. F. van Thiel**, Ho Chi Min (VN); **Frederik F. J. van Thiel**, Hong Kong (CN)

(73) Assignee: **RH US, LLC**, Corte Madera, CA (US)

(*) Notice: This patent is subject to a terminal disclaimer.

(**) Term: **15 Years**

(21) Appl. No.: **29/746,257**

(22) Filed: **Aug. 12, 2020**

(51) **LOC (13) Cl.** **06-04**

(52) **U.S. Cl.**
USPC **D6/691.1; D6/691.9**

(58) **Field of Classification Search**
USPC D6/349, 657, 663, 664, 667, 671, 685, D6/686, 691, 691.1–691.9; D3/272
(Continued)

(56) **References Cited**

U.S. PATENT DOCUMENTS

134,387 A 12/1872 Magee
1,000,654 A 8/1911 Wilt
(Continued)

OTHER PUBLICATIONS

Spencer Hardwood Coffee Table with Drawers & Shelf—Unfinished Furniture Expo <https://unfinishedfurnitureexpo.com/products/wwot&c-spencer-unfinished-hardwood-coffee-table-with-drawers-shelf> retrieved from the on Feb. 23, 2021.*
(Continued)

Primary Examiner — Mary Ann Calabrese

(74) *Attorney, Agent, or Firm* — Lewis Roca Rothgerber Christie LLP

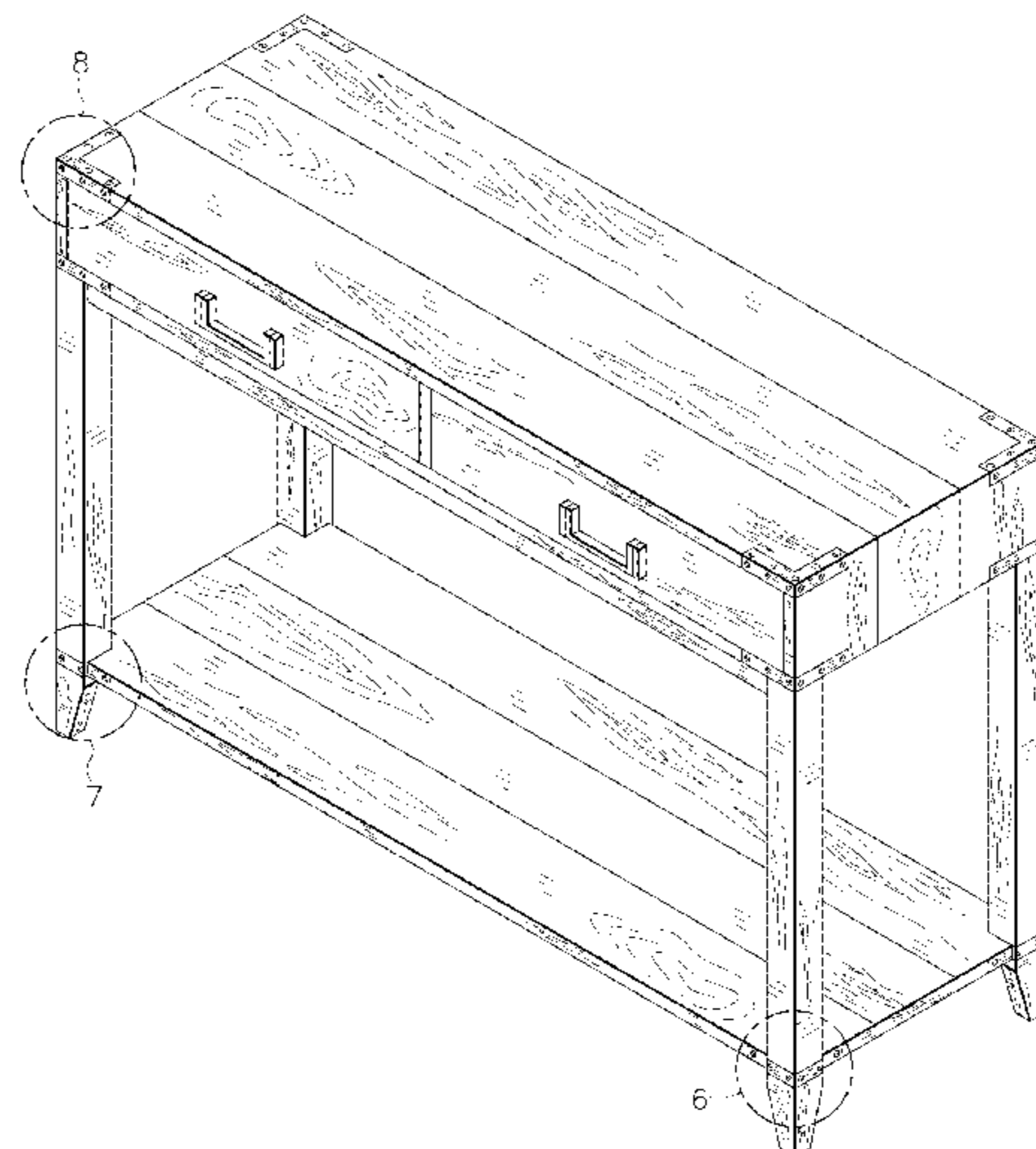
(57) **CLAIM**

The ornamental design for a table, as shown and described.

DESCRIPTION

FIG. 1 is a perspective view of a first embodiment of a table showing our new design;
FIG. 2 is a top plan view thereof;
FIG. 3 is a front elevation view thereof;
FIG. 4 is a right side elevation view thereof, the left side being a mirror image;
FIG. 5 is a rear elevation view thereof;
FIG. 6 is an enlarged fragment of a portion of the table shown in FIG. 1 and labeled 6;
FIG. 7 is an enlarged fragment of a portion of the table shown in FIG. 1 and labeled 7;
FIG. 8 is an enlarged fragment of a portion of the table shown in FIG. 1 and labeled 8;
FIG. 9 is perspective view of a second embodiment of a table showing our new design;
FIG. 10 is a top plan view thereof;
FIG. 11 is a front elevation view thereof;
FIG. 12 is a right side elevation view thereof, the left side being a mirror image;
FIG. 13 is a rear elevation view thereof;
FIG. 14 is an enlarged fragment of a portion of the table shown in FIG. 9 and labeled 14;
FIG. 15 is an enlarged fragment of a portion of the table shown in FIG. 9 and labeled 15; and,
FIG. 16 is an enlarged fragment of a portion of the table shown in FIG. 9 and labeled 16.
The fragmentary showing of wood grain in FIGS. 1-5 and 9-13 and shown in detail in FIGS. 6-8 and 14-16 is understood to be repeated throughout the surfaces shown. The second embodiment is shown with symbolic breaks in length in FIGS. 9-11 and 13, and those portions of the article between the break lines form no part of the claimed design. In the drawings, the broken lines show portions of the table that form no part of the claimed design.

1 Claim, 16 Drawing Sheets



- (58) **Field of Classification Search**
 CPC A47B 7/00; A47B 13/00; A47B 13/02;
 A47B 13/04; A47B 13/06; A47B 13/08;
 A47B 13/10; A47B 13/12; A47B 13/16;
 A47B 17/00; A47B 21/00; A47B 23/00;
 A47B 2200/0001; A47B 2200/0011;
 A47B 2200/002

See application file for complete search history.

(56) **References Cited**

U.S. PATENT DOCUMENTS

D47,234 S	*	4/1915	Kekkonen	D6/657
D88,180 S		11/1932	Van De Riet		
D96,212 S		7/1935	Widman		
D129,484 S		9/1941	Miller		
D141,374 S		5/1945	Miller		
D167,392 S		8/1952	Carr		
2,773,729 A		12/1956	Derman		
D188,197 S		6/1960	Swarts et al.		
D190,179 S		4/1961	Swarts et al.		
D226,831 S		5/1973	Allen		
D251,885 S		5/1979	Tebbe		
D271,259 S		11/1983	Smith, Jr.		
D272,495 S		2/1984	Kemp, III		
D272,497 S		2/1984	Kemp, III		
D275,435 S		9/1984	Adkinson		
4,793,667 A		12/1988	Gilliom		
D311,101 S		10/1990	Pauer		
D347,751 S		6/1994	Ball		
D352,607 S		11/1994	Woudstra		
5,368,380 A		11/1994	Mottmiller		
D364,050 S	*	11/1995	Paus	D6/691.2
D373,491 S		9/1996	Walters, III		
D378,032 S		2/1997	Rosebrock		
D382,139 S		8/1997	Palka		
D384,223 S		9/1997	Palka		
D385,723 S		11/1997	Palka		
D385,724 S		11/1997	Palka		
D392,477 S		3/1998	De Blaay		
D403,529 S		1/1999	De Blaay		
D410,156 S		5/1999	Cohen		
D424,832 S		5/2000	Lacroix		
D437,150 S		2/2001	Cain		
D445,596 S		7/2001	Stout		
6,364,440 B2		4/2002	Donahue		
D465,105 S		11/2002	Tobin, Jr.		
D469,275 S		1/2003	McDaniel		
D473,401 S		4/2003	de Blois		
D494,774 S		8/2004	de Blois		
D499,275 S		12/2004	Grosfillex		
D499,276 S		12/2004	Grosfillex		
D501,616 S		2/2005	Walker		
D508,347 S		8/2005	Juneau		
D511,425 S		11/2005	Katz		
D542,057 S		5/2007	Juneau		
D549,488 S		8/2007	Brimacombe		
D553,389 S		10/2007	Marcus		
D560,929 S		2/2008	Woodward		
D564,254 S		3/2008	Heublein		
D584,072 S	*	1/2009	Mohundro	D6/642
D584,540 S	*	1/2009	Mohundro	D6/667
D588,831 S	*	3/2009	Mohundro	D6/642
D609,936 S		2/2010	Haimoff		
D667,653 S		9/2012	Lenney		
D667,654 S		9/2012	Lenney		
D722,241 S		2/2015	Chen		
D728,082 S		4/2015	Sukhera		
D752,905 S	*	4/2016	Healy	D6/657
D754,455 S	*	4/2016	Healy	D6/657
D767,914 S		10/2016	Burden		
D775,886 S		1/2017	Burden		
D790,887 S		7/2017	Everson		
D808,701 S		1/2018	Burden		
D818,297 S		5/2018	Burden		
D818,745 S		5/2018	Hannoosh		
D828,056 S		9/2018	Chiao		

D836,362 S		12/2018	Davis
D843,127 S		3/2019	Altemime
D853,146 S		7/2019	Lee
D856,039 S		8/2019	Parikh
D867,027 S		11/2019	Gelman
D867,030 S		11/2019	Gelman

OTHER PUBLICATIONS

Nepal Handcrafted Solid Wood Square Cocktail Table—Haynes Furniture <https://www.haynesfurniture.com/living-room-furniture-cocktail-table-solid-wood-handcrafted-square-nepal> retrieved from the on Feb. 23, 2021.*

Claremont 48" Rustic Wood Coffee Table With Drawer and Low Shelf, By Bolton Furniture—Houzz.com <https://www.houzz.com/products/claremont-48-rustic-wood-coffee-table-with-drawer-and-low-shelf-prvw-vr~151354097> retrieved from the on Feb. 23, 2021.*

Rustic 2-Drawer Console Table With Open Bottom Shelf, Millstone Collection by Kaleidoscope <https://www.spritz.com/item/millstone-2-drawer-console-table/13555906> retrieved from the on Feb. 23, 2021.*

Unknown, Harrod's London Kennedy Furniture Campaign (20th Century), downloaded from https://www.1stdibs.com/furniture/storage-case-pieces/bookcases/harrods-london-kennedy-furniture-campaign-mahogany-cupboard-bookcase-drawers/id-f_14132391/.

Unknown, 1970's Henredon Furniture—Campaign dresser in solid oak and oak veneers. Also note panel headboard with metal brackets, downloaded from http://www.appie.org/ktm_cdn/he/henredon-bedroom-furniture-fine-vintage-artefacts-campaign_furniture-bedroom-ideas.jpg.

Unknown, Mid 20th Century Vintage Headboard Panel Mid Century Modern Campaign (20th Century).

Unknown, Campaign Style Mahogany Nightstands or Chests—A Pair (20th Century).

Unknown, Vintage Headboard Panel, 1970s; downloaded from http://www.appie.org/ktm_cdn/he/henredon-bedroom-furniture-fine-vintage-artefacts-campaign_furniture-bedroom-ideas.jpg.

Unknown, Henredon Artefacts 1970's, Single Drawer Nightstand (20th Century), downloaded from <https://www.loveseat.com/i/pair-of-henredon-artefacts-nighstands>.

Unknown, Henredon Artefacts 1970's, downloaded from https://www.chairish.com/product/2883856/mid-20th-century-campaign-henredon-mahogany-nightstands-a-pair?gclid=Cj0KCQiAjKqABhDLARIsABbJrGmu_a-iTm0ChsJ954q1U1fN48cDpLq2C1qAcNxJDaDJ6L-vzikI8NAaAkpMEALw_wcB.

Unknown, Henredon Artefacts Double Dresser 1970's <https://www.chairish.com/product/1037534/henredon-artefacts-campaign-style-double-dresser-credenza>.

Unknown, Drexel Heritage Consensus Campaign Dresser circa 1970s, downloaded at <https://www.furnishmevintage.com/drexel-consensus-campaign-dresser/>.

Unknown, A&H Bradd Gilroy Drop Handle Drawer Pull, pre-2018; downloaded from <https://ahbrass.co.uk/cupboard/cup-drawer-pulls/gilroy-drawer-pull-drop-handle>.

Unknown, Etsy—Henredon Artefacts, pre-2018; downloaded from https://www.etsy.com/listing/604313108/26-37-brushed-gold-brass-drawer-pulls?ga_order=most_relevant&ga_search_type=all&ga_view_type=gallery&ga_search_query=henredon+artefacts&ref=sr_gallery-1-4&col=1.

Unknown, Antique Campaign Drop Pull, pre-2018; downloaded from <https://www.houseofantiquehardware.com/campaign-ropes-3-inch-drop-pull>.

Unknown, Etsy Cabinet Door Handle, pre-2018; downloaded from <https://www.etsy.com/listing/721955708/25-375-kitchen-cabinet-door-handle-pull?gpla=1&gao=1&>.

Unknown, Home Depot product listing for Drawer Pull, pre-2018; downloaded from <https://www.homedepot.com/p/Liberty-External-Campaign-3-in-76mm-Center-to-Center-Bronze-with-Gold-Highlights-Drawer-Pull-P34967-VBG-C/304753902>.

Unknown, Modus Furniture—“Adler” Collection, Available in market since 2018, <https://www.amazon.com/Modus-Furniture-8N1681->

(56)

References Cited

OTHER PUBLICATIONS

Nightstand-Natural/dp/B01M28ZFX6/ref=asc_df_B01M28ZFX6/?tag=hyprod-20&linkCode=df0&hvadid=216742969400&hvpos=&hvnetw=g&hvrnd=6482784008848621188&hvpon=&hvptwo=&hvqmt=&hvdev=c&hvdvcmdl=&hvlocint=hvlocphy=9061145&hvtargid=pla-350128461322&th=1.

Unknown, RH Warwick Campaign, Available since 2015; <https://rh.com/catalog/product/product.jsp?productId=prod3200111>.

Unknown, Lulu & Georgia Campaign Console, Available since 2018 <https://www.decorpad.com/bookmark.htm?bookmarkId=48644>.

Unknown, Campaign Chest Late 19th Century (Before 1900) <https://www.carter.com.au/index.cfm/index/794-chests-of-drawers-campaign-and-military/>.

Unknown, Sonder Living—“Maison 55” Collection, Available since 2018, https://www.perigold.com/Sonder-Living-Maison-55-Durham-5-Drawer-Dresser-0804013-L13-K~P000894954.html?refid=GX434141433105-P000894954&device=c&ptid=967441908397&targetid=aud-927354925853:pla-967441908397&ireid=40883456&gclid=Cj0KCQiAqdP9BRDVARIsAGSZ8AnzDK_29eiIWC_2Bac6FywV5peyL5ryKPZ1aZNFQDIweaxM9J2O0NMaAswQEALw_wcB.

Unknown, Theodore Alexander—Sayer Campaign Chest, Available in market since 2017, <https://www.brassandburl.com/sayer-campaign-chest-echo-oak.html>.

Unknown, Bassick Sack—1960’s Catalog, Example of outside vertical element for use as hardware “keeper” with swing “bail” in between Bernice Bienenstock Furniture Library.

Unknown, Theodore Alexander—Sayer Campaign Chest Available in market since 2017, Example of outside vertical element for use as hardware “keeper” with swing “bail” in between, <https://www.brassandburl.com/sayer-campaign-chest-echo-oak.html>.

Unknown, Richelieu Contemporary Metal Pull—Pre-2017 Example of outside vertical element for use as hardware “keeper” with swing “bail” in between, <https://www.richelieu.com/us/en/category/decorative-hardware/cabinet-hardware-pulls-and-knobs/pulls/contemporary-metal-pull-23760/1005409?s=pull+64+mm>.

Unknown, Drexel Heritage “Consensus Campaign”—1970’s Example of outside vertical element for use as hardware “keeper” with swing “bail” in between, https://www.1stdibs.com/furniture/storage-case-pieces/dressers/drexel-heritage-consensus-brass-accent-pecan-dresser-1970s-campaign-style/id-f_13330792/.

Unknown, Campaign Chest Late 19TH CENTURY (Before 1900) <https://www.carters.com.au/index.cfm/index/794-chests-of-drawers-campaign-and-military/>.

Unknown, Campaign Chest Late 19TH CENTURY (Before 1900) <https://www.anthonysshort.co.uk/antiques-sold-gallery/sold-19th-century-mahogany-military-or-campaign-chest-of-drawers-14-743.html>.

Unknown, Sonder Living —“Maison 55” Collection, Available before 2018, https://www.perigold.com/Sonder-Living-Maison-55-Durham-5-Drawer-Dresser-0804013-L13-K~P000894954.html?refid=GX434141433105-P000894954&device=c&ptid=967441908397&targetid=aud-927354925853:pla-967441908397&ireid=40883456&gclid=Cj0KCQiAqdP9BRDVARIsAGSZ8AnzDK_29eiIWC_2Bac6FywV5peyL5ryKPZ1aZNFQDIweaxM9J2O0NMaAswQEALw_wcB.

Unknown, Baker Furniture Circa 1940’S https://www.1stdibs.com/furniture/storage-case-pieces/commodos-chests-of-drawers/baker-furniture-five-drawer-campaign-chest-circa-1940s/id-f_21232532/?gclid=Cj0KCQiA48j9BRC-ARIsAMQu3WTgAKBVe4UEgLwOZGSTjtitDqL5mVpcvgUTCWZxlMighQrKuf3NOtDlaAmsbEALw_wcB&gclsrc=aw.ds.

Unknown, 19th Century English Anglo Chinese Teak Campaign Style Desk / Chest / circa 1860-1880, downloaded from https://www.1stdibs.com/furniture/storage-case-pieces/secretaires/19th-century-english-anglo-chinese-teak-campaign-style-desk-chest/id-f_1204396/.

Unknown, Early 20th century English. Bracket base design inspiration, downloaded from <https://www.1stdibs.com/furniture/storage->

[case-pieces/commodos-chests-of-drawers/antique-english-figured-mahogany-military-campaign-style-chest/id-f_13423711/](https://www.1stdibs.com/furniture/storage-case-pieces/commodos-chests-of-drawers/antique-english-figured-mahogany-military-campaign-style-chest/id-f_13423711/).

Unknown, Antique English Figured Mahogany Military or Campaign Style Chest—1850-1865, downloaded from https://www.1stdibs.com/furniture/storage-case-pieces/commodos-chests-of-drawers/mahogany-campaign-style-chest-drawers/id-f_4169443/.

Unknown, Antique Campaign Style Chest of Drawers or Dresser—1863 (The back of the case is lined with a local Birmingham England newspaper, dated 1863), downloaded from https://www.1stdibs.com/furniture/storage-case-pieces/commodos-chests-of-drawers/antique-campaign-style-chest-drawers-dresser/id-f_7788843/.

Unknown, 19th Century English Victorian Campaign Style Secrétaire Chest, downloaded from https://www.1stdibs.com/furniture/storage-case-pieces/commodos-chests-of-drawers/english-victorian-campaign-style-secretaire-chest/id-f_11379051/.

Unknown, Kaplan Furniture—Pair of Midcentury Campaign Style Nightstands, downloaded from https://www.1stdibs.com/furniture/more-furniture-collectibles/bedroom-furniture/night-stands/pair-of-midcentury-campaign-style-nightstands/id-f_17197411/.

Unknown, Campaign dresser in solid oak and oak veneers. This campaign style chest by Bernhardt was crafted in 1973, downloaded from <https://www.casavictoriala.com/blog/tag/Chest>.

Unknown, Pair of Vintage Campaigner Chests by Dixie on 1stdibs (20th Century), downloaded from https://www.1stdibs.com/furniture/storage-case-pieces/commodos-chests-of-drawers/pair-of-vintage-campaigner-chests-dixie/id-f_13204361/.

Unknown, 1970 Dixie Campaigner Dresser (1970s), <https://www.varagesale.com/i/6epkgzz7-antique-1970-dixie-campaigner-reduced-credenza-dresser-changing-table>.

Unknown, Dixie Campaign style dresser, Unique by Ruth Rockville, MD (20th Century), downloaded from <https://attic.city/store/uniquebyruth>.

Unknown, Dixie Campaigner 5 Drawer Dresser, brass pulls hardware, dovetail (20th Century), downloaded from https://auctionzip.com/auction-lot/DIXIE-CAMPAIGNER-5-Drawer-Dresser_43F42A1934/.

Unknown, Pair of vintage Campaign nightstands crafted in walnut with sleek modern form, brass Campaign hardware and block feet. Stamped “Campaigner” a division of Dixie furniture. Ca. 1960, downloaded from https://www.1stdibs.com/furniture/more-furniture-collectibles/bedroom-furniture/night-stands/pair-of-campaign-style-nightstands/id-f_19731632/.

Unknown, Baker Furniture Hollywood Regency Campaign Walnut Highboy Dresser, Refinished (1960-1969), downloaded from https://www.1stdibs.com/furniture/storage-case-pieces/dressers/baker-furniture-hollywood-regency-campaign-walnut-highboy-dresser-refinished/id-f_19785092/.

Unknown, Campaign Style Chest of Drawers Made by Baker Furniture (1960’s), downloaded from https://www.1stdibs.com/furniture/storage-case-pieces/dressers/mid-century-wood-campaign-6-drawer-dresser-baker-furniture-co-brass-pulls/id-f_9818473/.

Unknown, Mid-century Wood Campaign 6 Drawer Dresser Baker Furniture Co with Brass Pulls (1960’s), downloaded from https://www.1stdibs.com/furniture/storage-case-pieces/dressers/mid-century-wood-campaign-6-drawer-dresser-baker-furniture-co-brass-pulls/id-f_9818473/.

Unknown, Campaign Style Desk by National Mt. Airy (1970’s), downloaded from https://www.1stdibs.com/furniture/storage-case-pieces/desks/campaign-style-desk-national-mt-airy/id-f_17947252/.

Unknown, Pair of Mt Airy Walnut Campaign Style Nightstands (1970-1979), downloaded from https://www.1stdibs.com/furniture/more-furniture-collectibles/bedroom-furniture/night-stands/pair-of-mt-airy-walnut-campaign-style-nightstands/id-f_3437562/.

Unknown, National Mt. Airy Campaign Style Cherry Chest Nightstand (1980’s), downloaded from <https://store.buckscountystatetraders.com/collections/nightstands-chests/products/national-mt-airy-campaign-style-cherry-chest-nightstand>.

Unknown, National Mt. Airy Campaign Style Tall Seven Drawer Dresser (20th Century), downloaded from <https://attic.city/item/1S8/national-mt-airy-campaign-style-tall-seven-drawer-dresser/urban-americana>.

(56)

References Cited

OTHER PUBLICATIONS

Unknown, Vintage Campaign Style Nightstand by National Mt. Airy (20th Century), downloaded from <https://www.ebth.com/items/5622351-vintage-campaign-style-nightstand-by-national-mt-airy>.

Unknown, 5346400: Colonial Style Camphor Wood Campaign Secretary by National Mt. Airy FR3SH (20th Century), downloaded from https://bid.igavelauctions.com/Bidding.taf?_function=detail&Auction_uid1=5346400.

Unknown, Lane Mid Century Modern Asian Campaign Long Dresser (20th Century), downloaded from <https://www.loveseat.com/a/lane-campaign-henredon-persian-rugs-asian/>.

Unknown, Lane Mid Century Modern Asian Campaign Nightstand (20th Century), downloaded from <https://www.loveseat.com/a/lane-campaign-henredon-persian-rugs-asian/>.

Unknown, Lane Mid Century Modern Asian Campaign Tall Dresser (20th Century), downloaded from <https://www.loveseat.com/a/lane-campaign-henredon-persian-rugs-asian/>.

UNKNOWN, Campaign Style Mahogany Nightstands or Chests—A Pair (20th Century), downloaded from <https://www.chairish.com/product/2439367/pair-of-campaign-style-mahogany-nightstands-or-chests>.

Unknown, Vintage Headboard Panel Mid Century Modern Campaign (20th Century), downloaded from <https://www.etsy.com/hk-en/listing/555709354/vintage-headboard-panel-mid-century>.

Unknown, 1970's Henredon Furniture — Campaign dresser in solid oak and oak veneers, downloaded from <https://www.chairish.com/search?q=Henredon+Campaign+Style+Headboard>.

Unknown, Henredon Campaign 1970's Pair of Campaign Style Display Cabinets by Henredon, downloaded from https://www.1stdibs.com/furniture/storage-case-pieces/cabinets/pair-of-campaign-style-display-cabinets-henredon/id-f_6750843.

Unknown, Vermont Wood Studios shaker style cabinet (20th Century), downloaded from <https://vermontwoodstudios.com/products/shaker-bookcase-full-glass-doors>.

Unknown, Mid Century Antique (20th Century), downloaded from https://www.1stdibs.com/furniture/more-furniture-collectibles/bedroom-furniture/night-stands/american-mid-century-nightstand/id-f_136709/.

Unknown, Henredon Artefacts 1970's, downloaded from https://www.liveauctioneers.com/item/31072932_5-piece-henredon-artefacts-line-bedroom-set-consisting.

Unknown, Henredon Artefacts 1970's, downloaded from https://www.auctionzip.com/auction-lot/Henredon-Artefacts-Campaign-Dresser_7F342BC8F7/.

Unknown, Henredon Artefacts 1970's, downloaded from <https://www.chairish.com/product/2571293/henredon-queen-size-campaign-style-headboard>.

Unknown, Theodore Alexander Echoes Collection; Solid Oak and oak veneers; Designed by Thad and Chris Bergelin; Introduced Oct. 2017—Currently in market, downloaded from <https://www.theddorealexander.com/product-detail/fc599826-f8da-4a73-b5a8-26392a4a36bc>.

Unknown, Jonathan Charles Furniture Campaign Collection; Pre-2018 Currently in market, downloaded from https://www.jonathancharlesfurniture.com/catalogue/index.php?route=product/collection&collection_id=175.

Unknown, Williams-Sonoma Home Campaign Collection; Pre-2018 Currently in market, downloaded from <https://www.williams-sonoma.com/shop/home-shop-the-look-2/shop-the-look-bohemian-luxury/furniture-campaign-collection/>.

Unknown, Theodore Alexander—Echoes Pre-2018, downloaded at <https://www.martyrae.com/theodore-alexander-sayer/cb60023-c062-991/iteminformation.aspx>.

Unknown, Theodore Alexander SDayer Chest, pre-2018, downloaded at <https://www.brassandburl.com/sayer-campaign-chest-dark-echo.html>.

Unknown, Henredon Artefacts circa 1970s, downloaded from https://www.1stdibs.com/furniture/storage-case-pieces/dressers/campaign-style-seven-drawer-dresser-henredon-artefacts-collection/id-f_3486692/.

Unknown, Bassick Sack—1960s Catalog, Biesenstock Library.

Unknown, Henredon Artefacts circa 1970s, downloaded from <https://www.chairish.com/product/1409564/henredon-artefacts-campaign-style-brass-hardware-pulls>.

Unknown, Richelieu Contemporary Metal Pull—23760, pre-2017, downloaded from <https://www.richelieu.com/us/en/category/decorative-hardware/cabinet-hardware-pulls-and-knobs/pulls/contemporary-metal-pull-23760-1005409?s=pull+64mm>.

Unknown, Henredon Artefacts, circa 1970s.

Unknown, Horton Brass Drawer Pull (2012), downloaded from <https://www.horton-brasses.com/OFP-22.asp>.

Unknown, Etsy Cabinet Door Handle, downloaded from <https://www.etsy.com/listing/721955708/25-375-kitchen-cabinet-door-handle-pull?gpla=1&gao=1&>.

Unknown, Horton Brass Drawer Pull (2013), downloaded from <https://www.horton-brasses.com/item.asp?PID=9400>.

* cited by examiner

FIG. 1

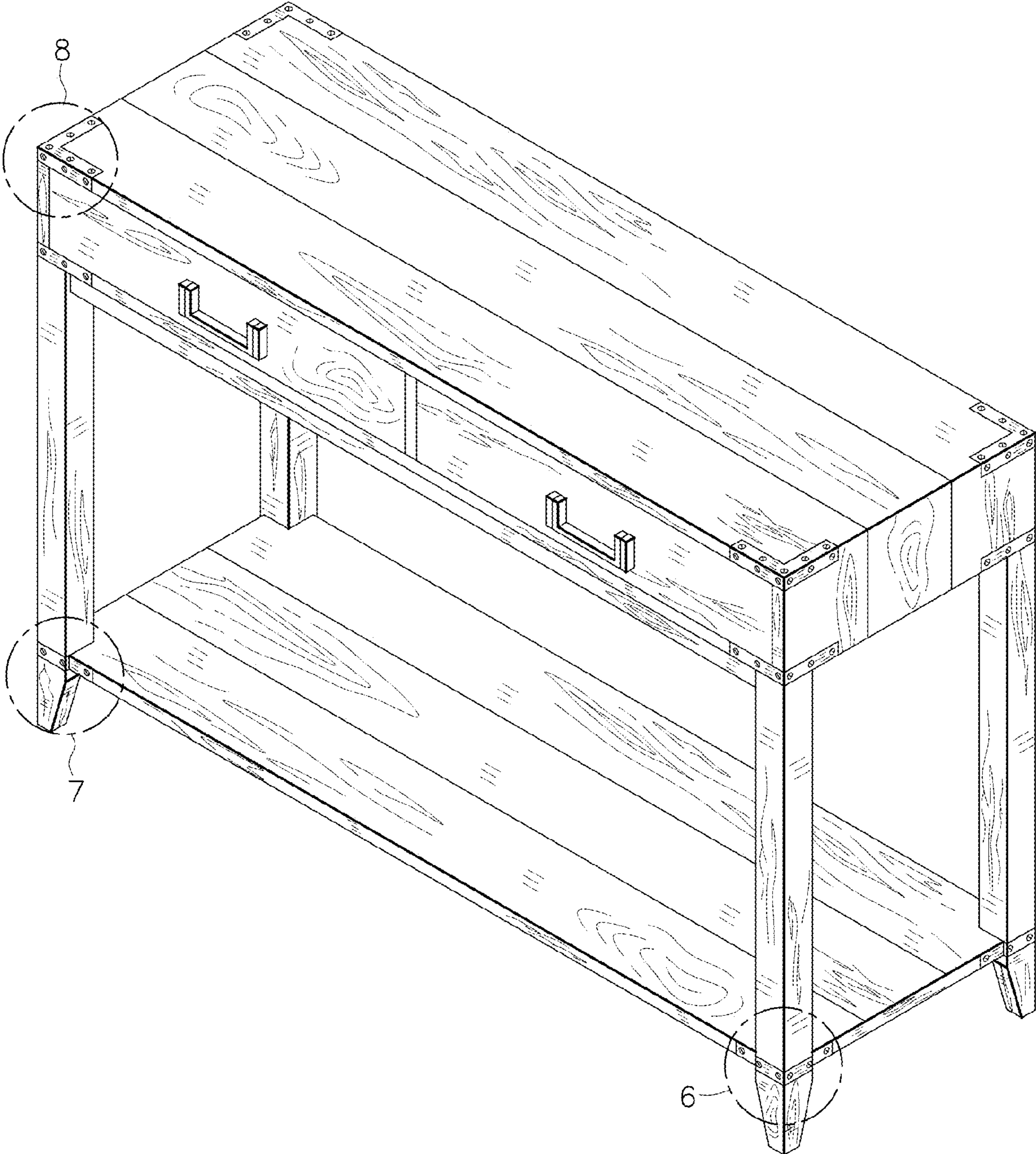


FIG. 2

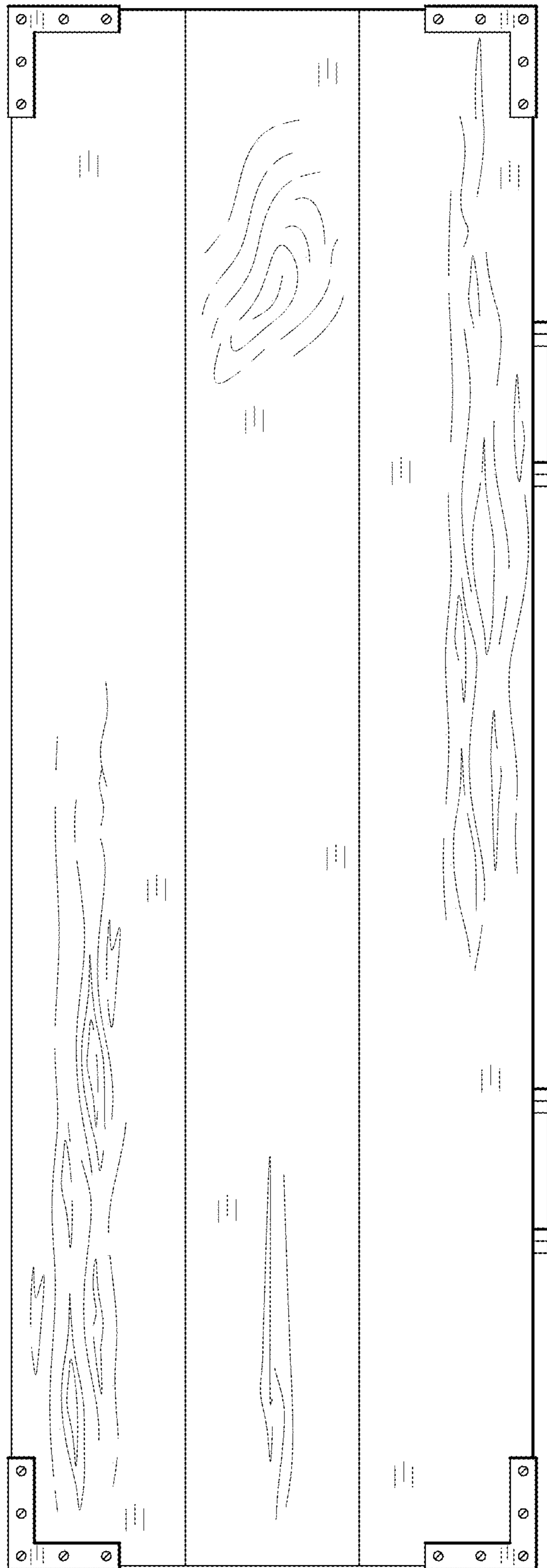


FIG. 3

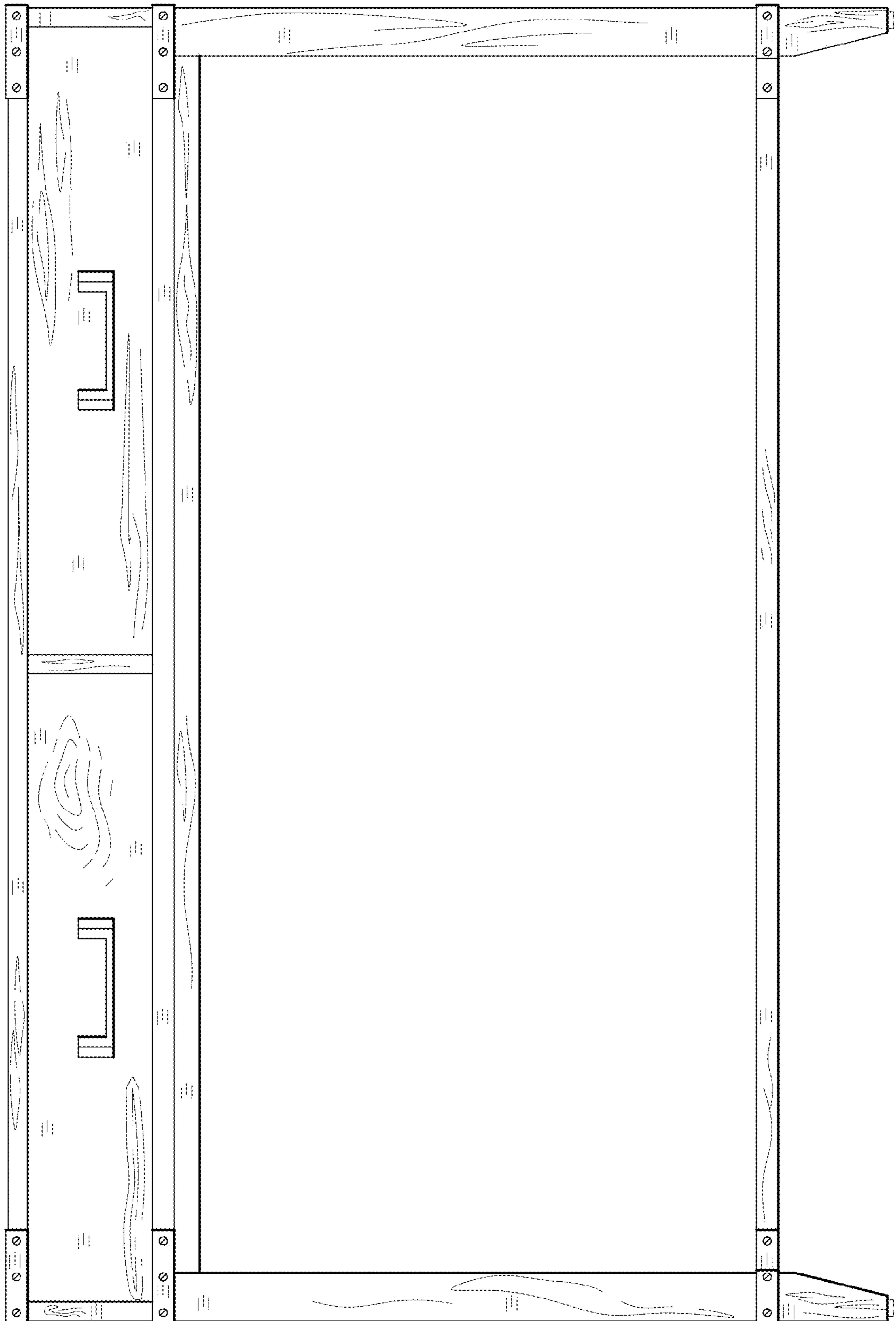


FIG. 4

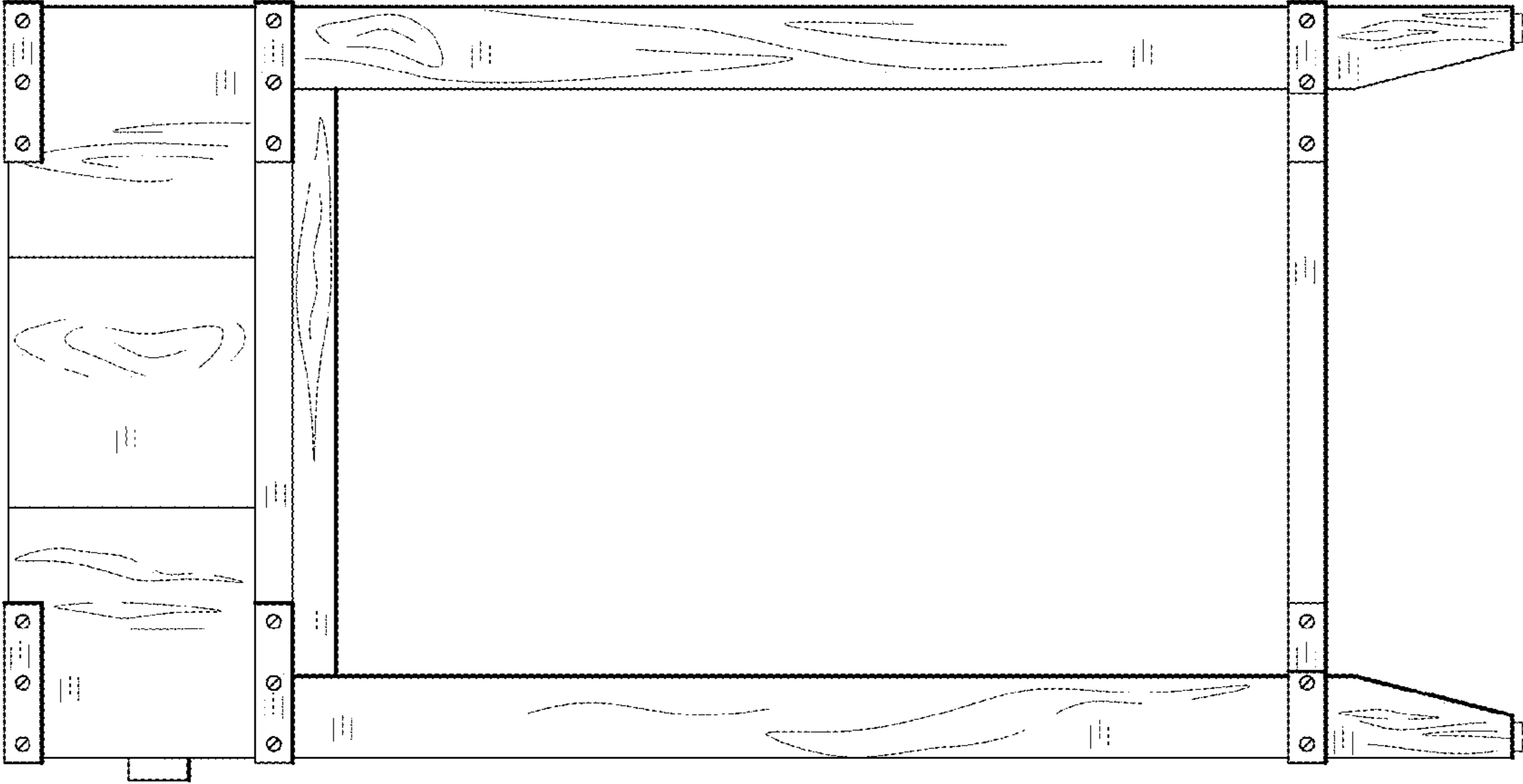
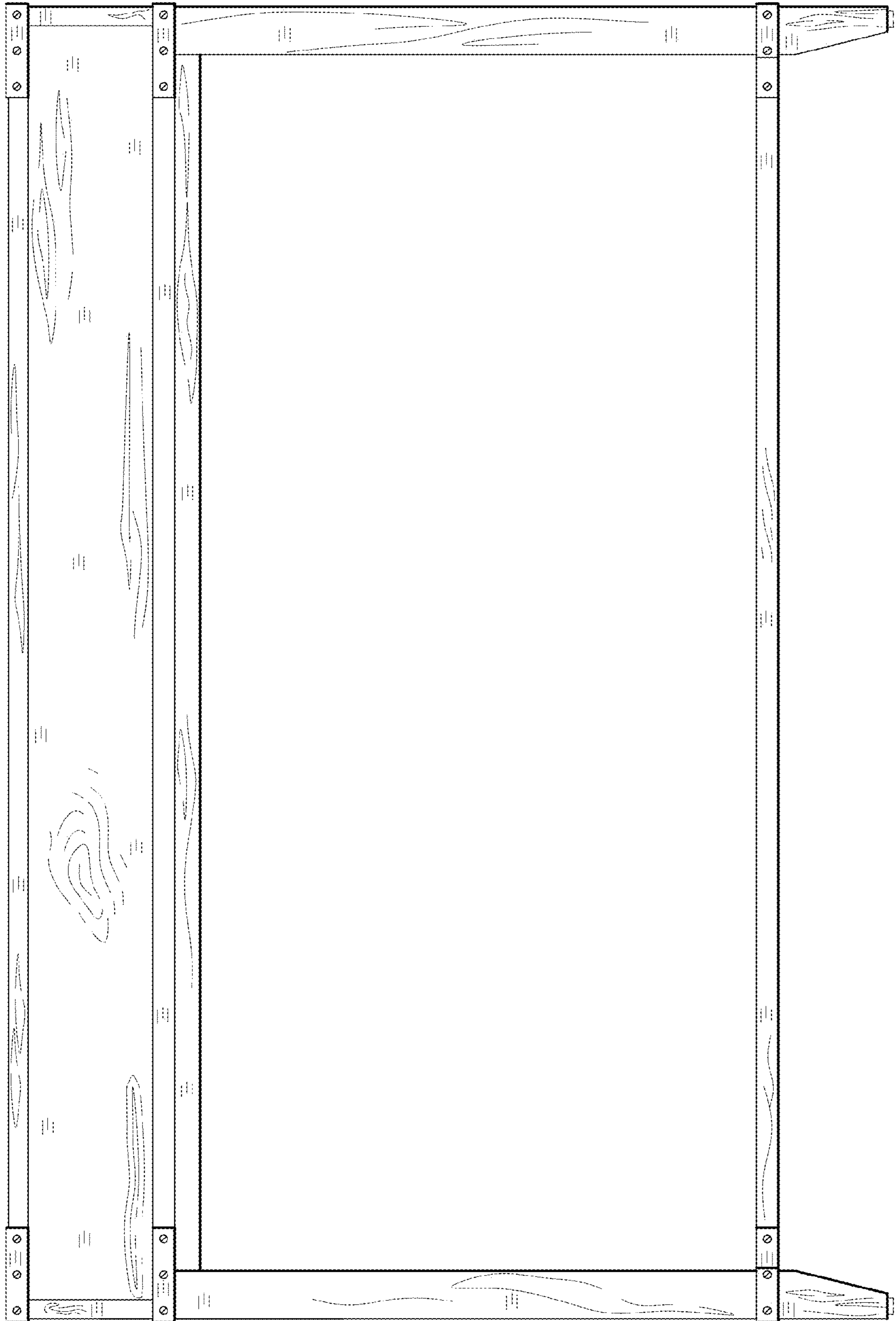


FIG. 5



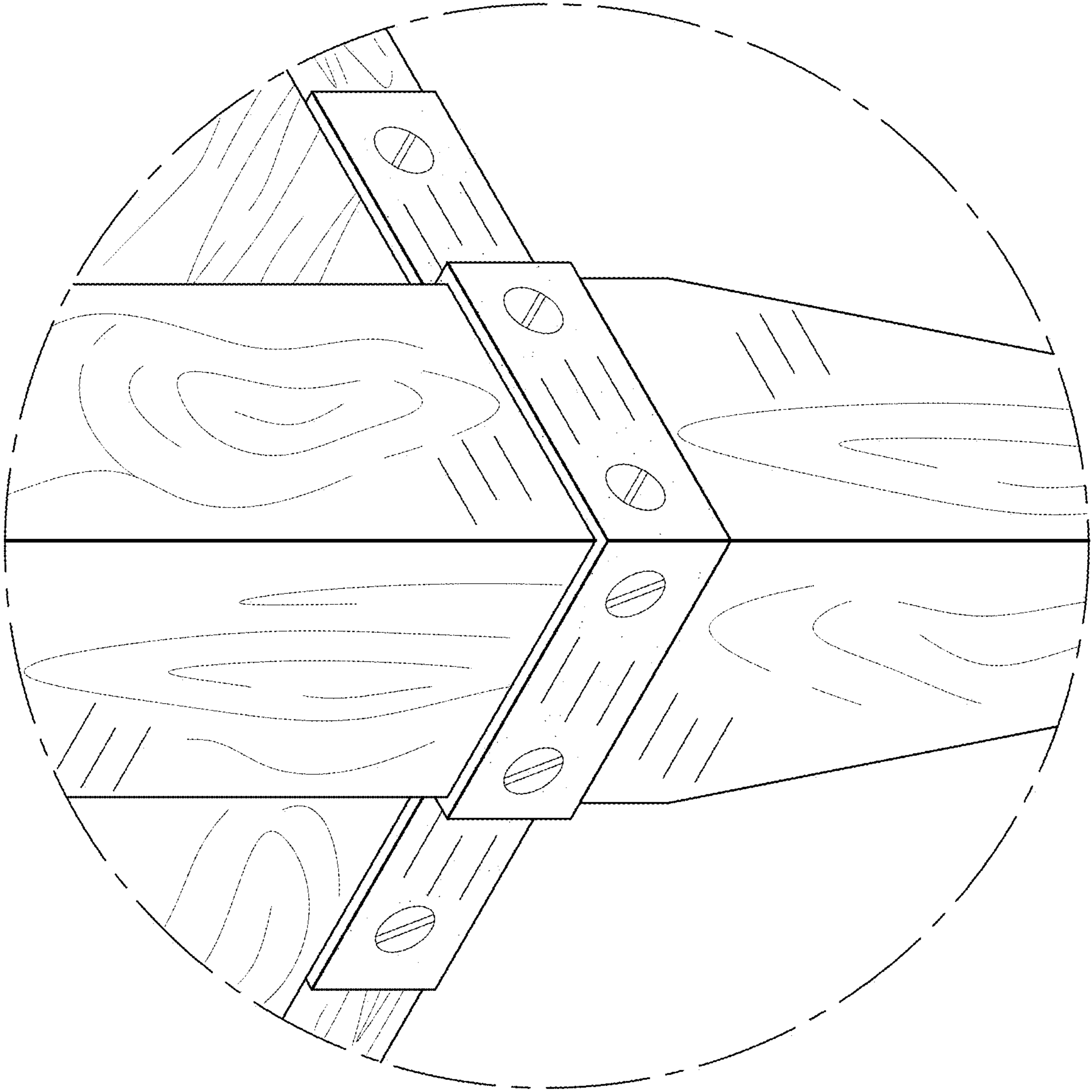


FIG. 6

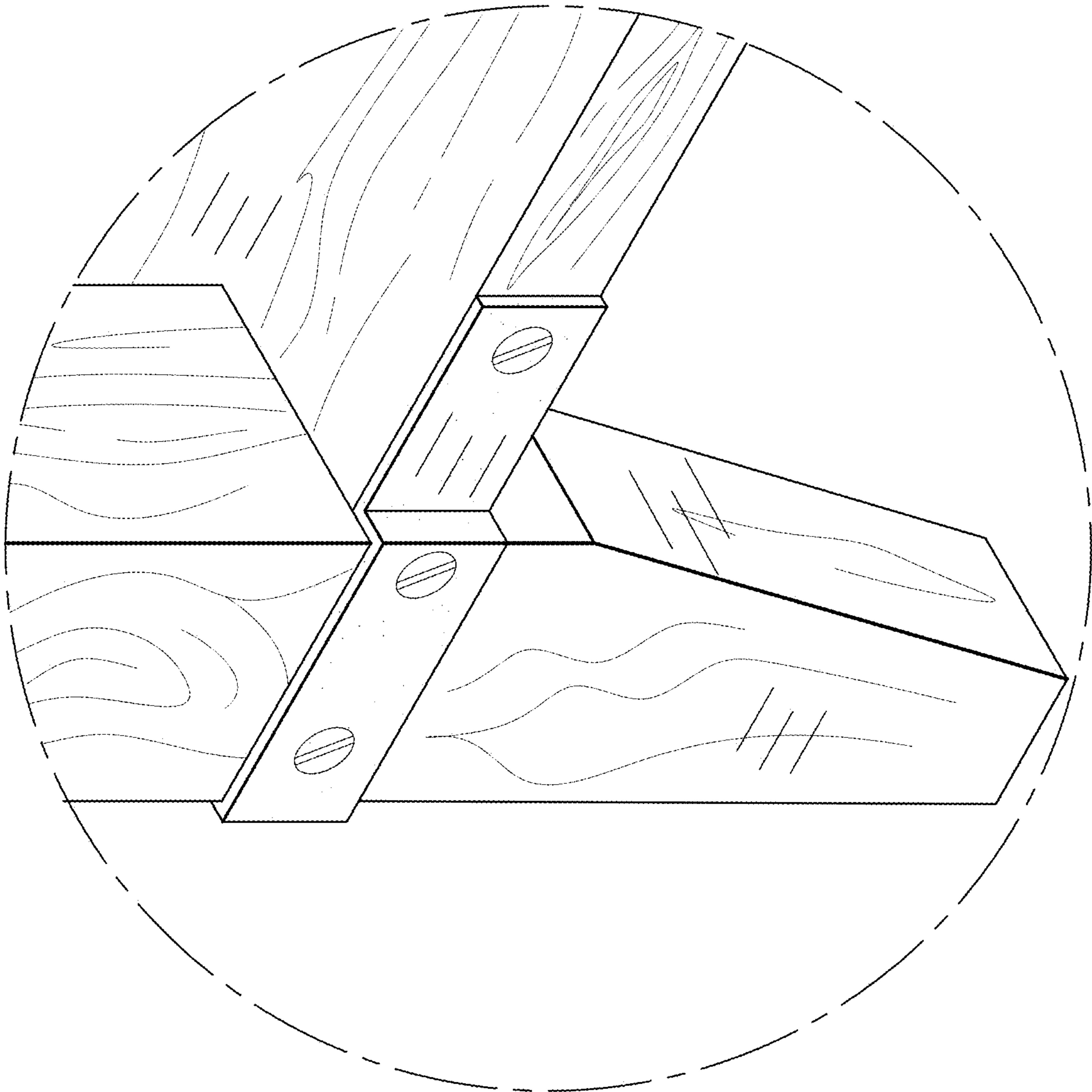


FIG. 7

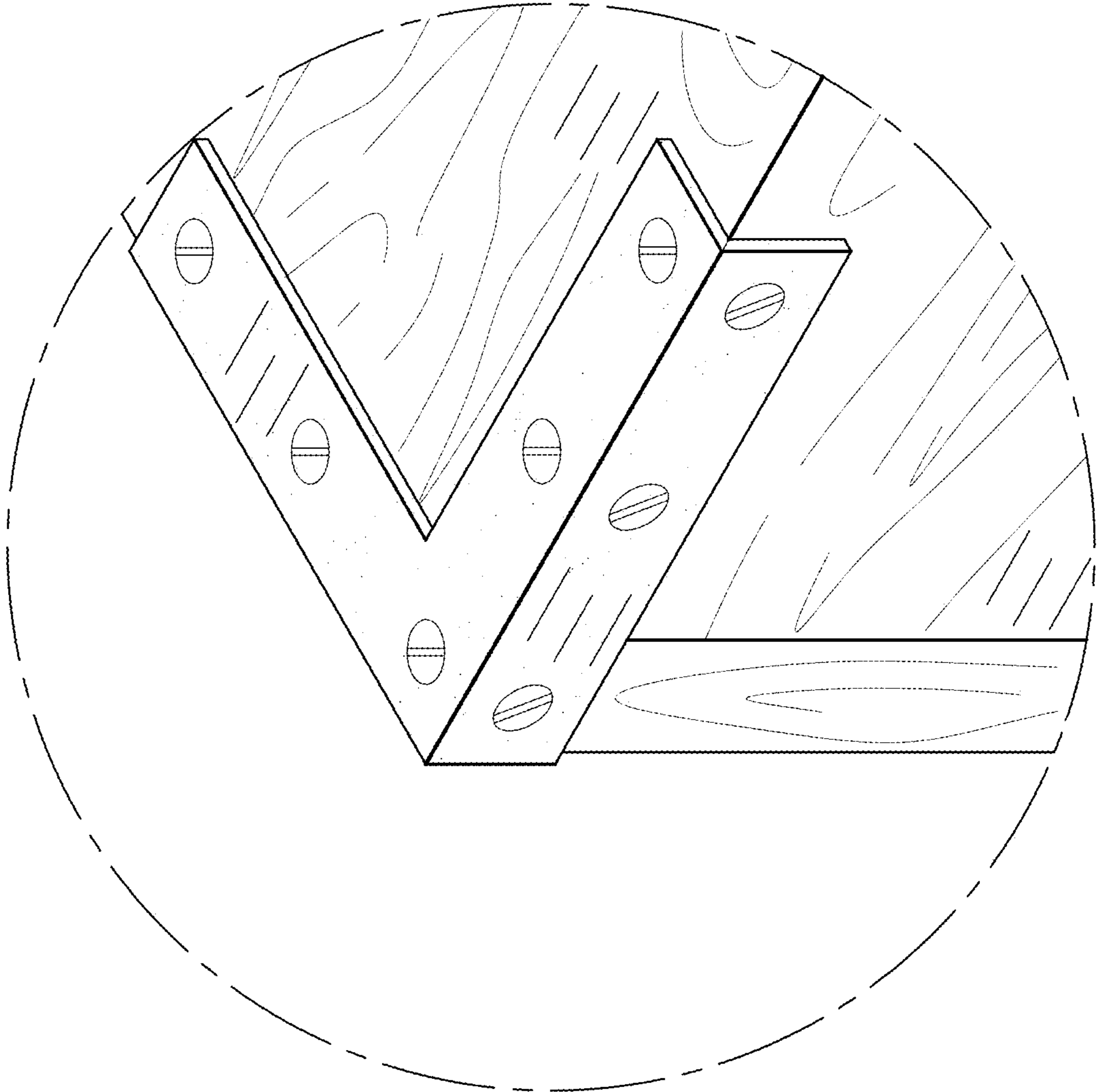


FIG. 8

FIG. 9

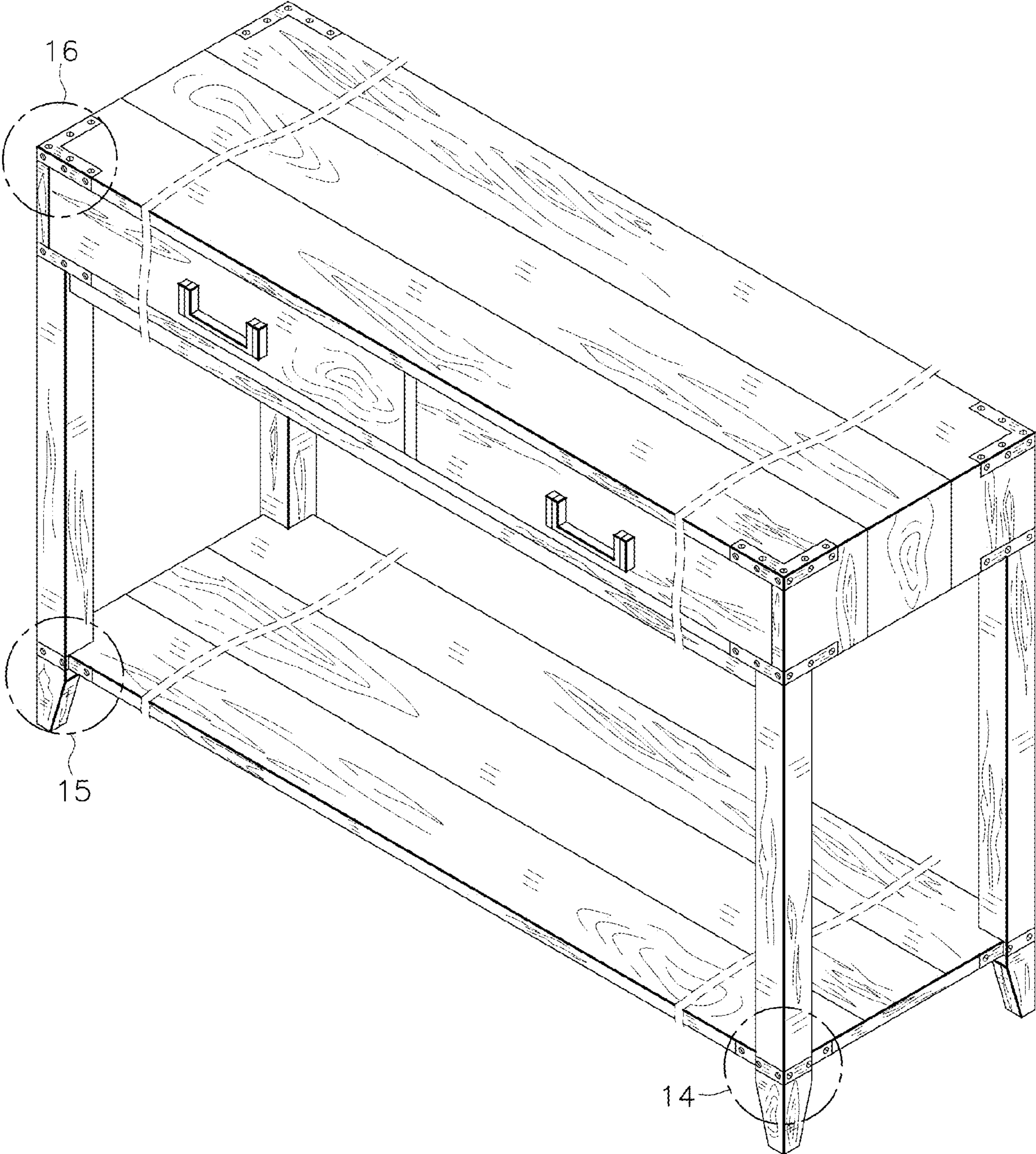


FIG. 10

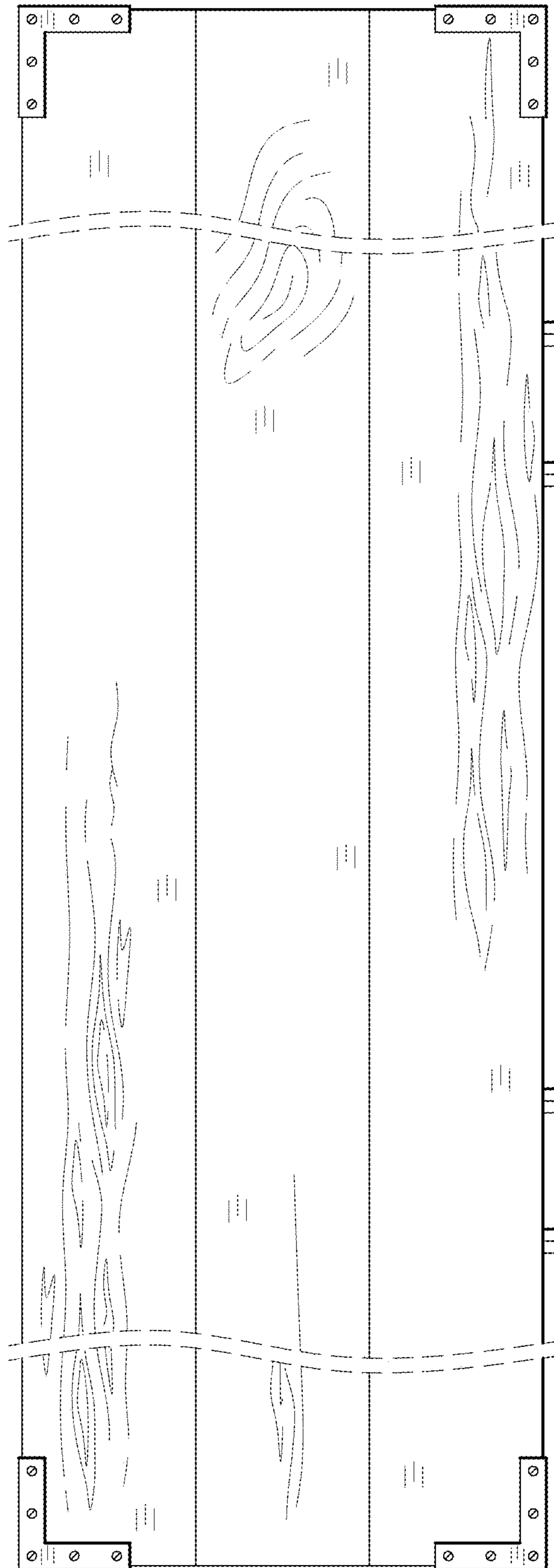


FIG. 11

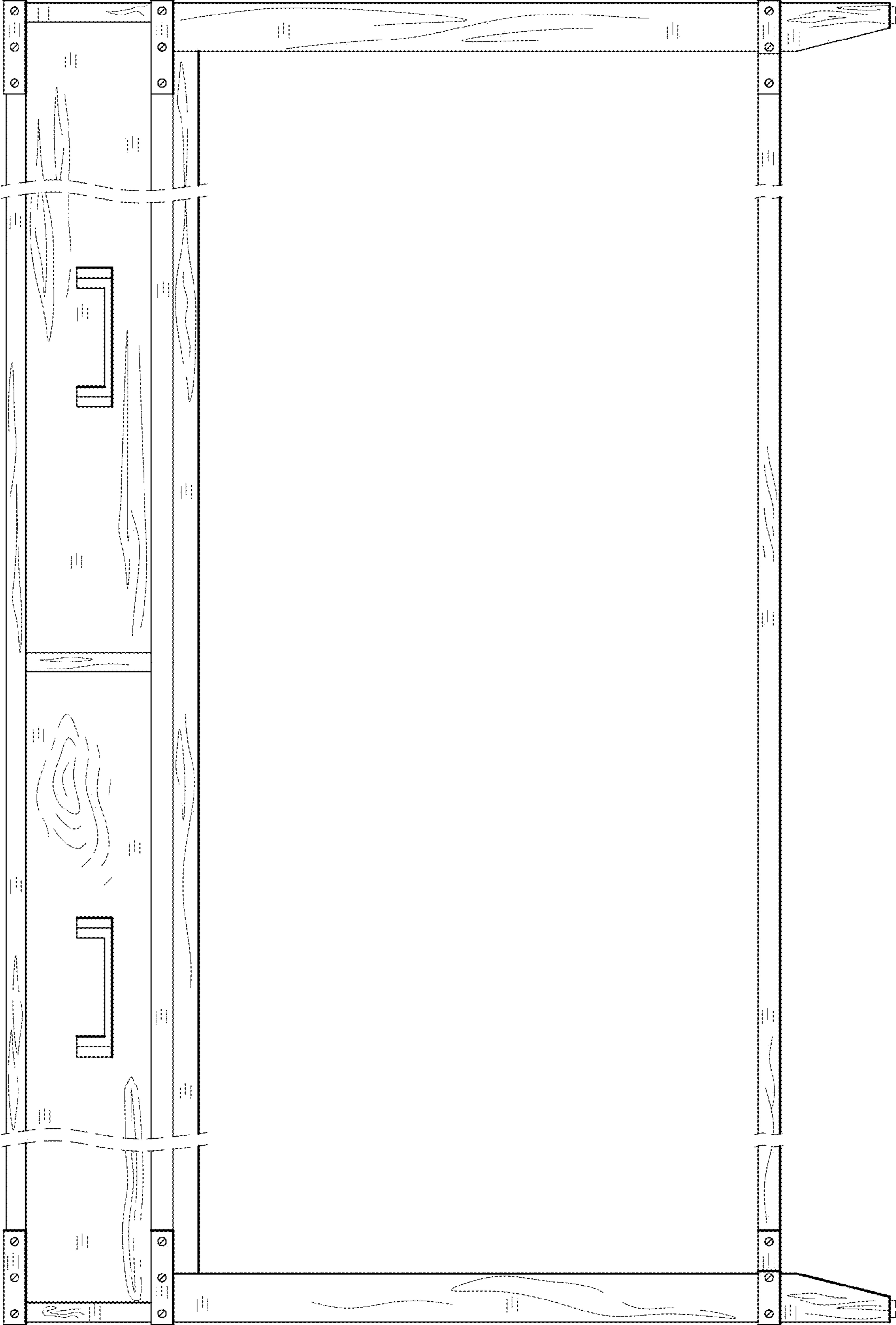


FIG. 12

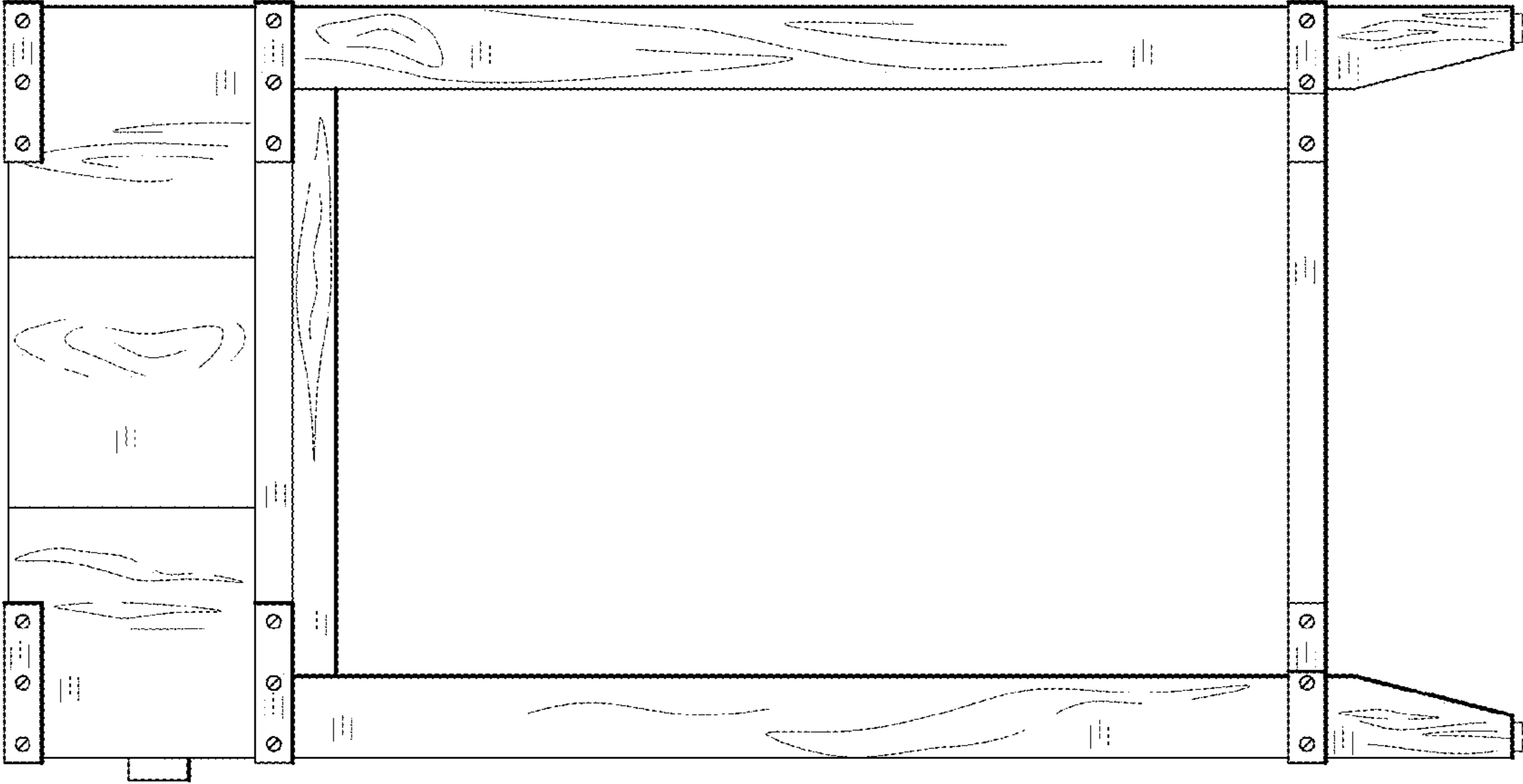
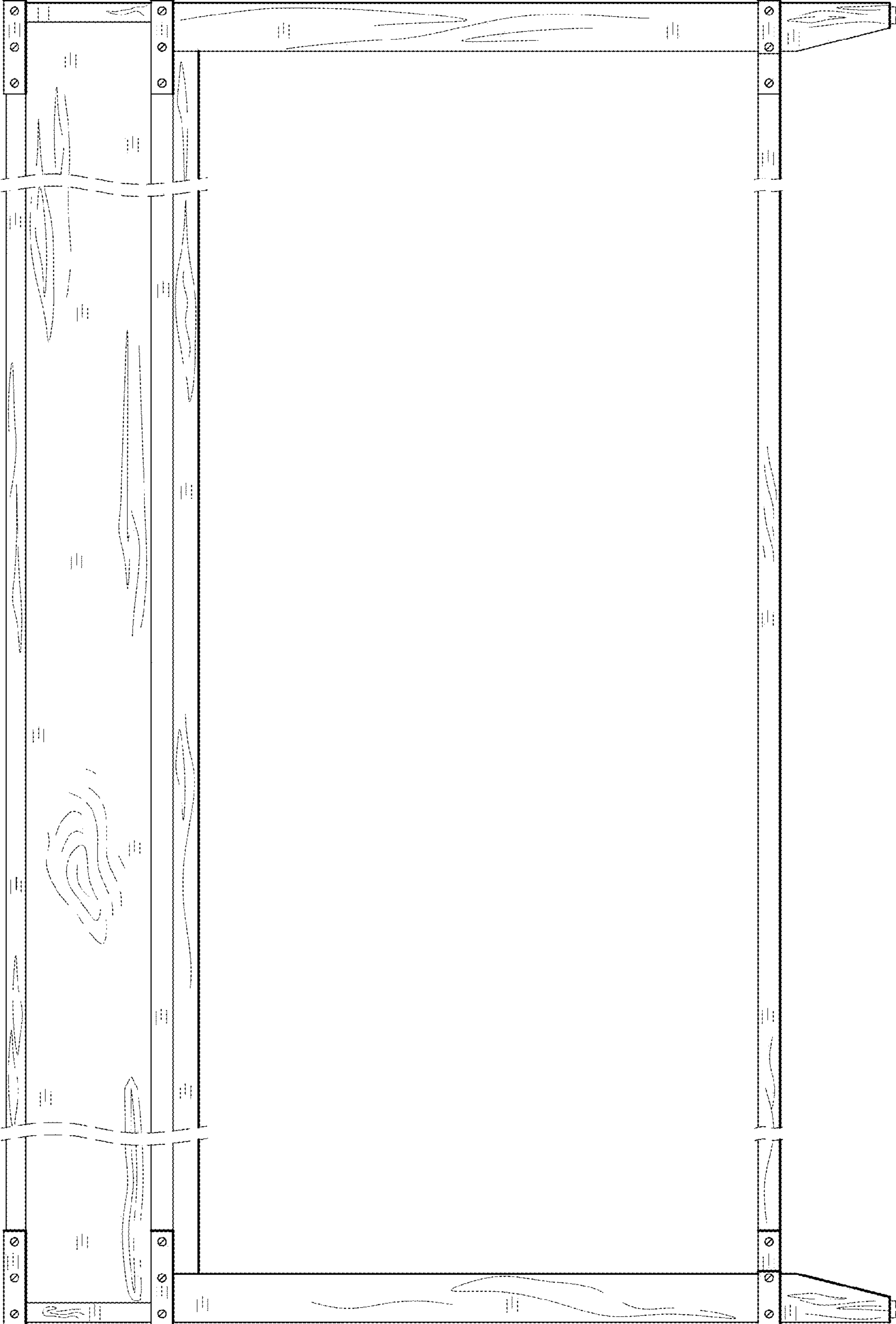


FIG. 13



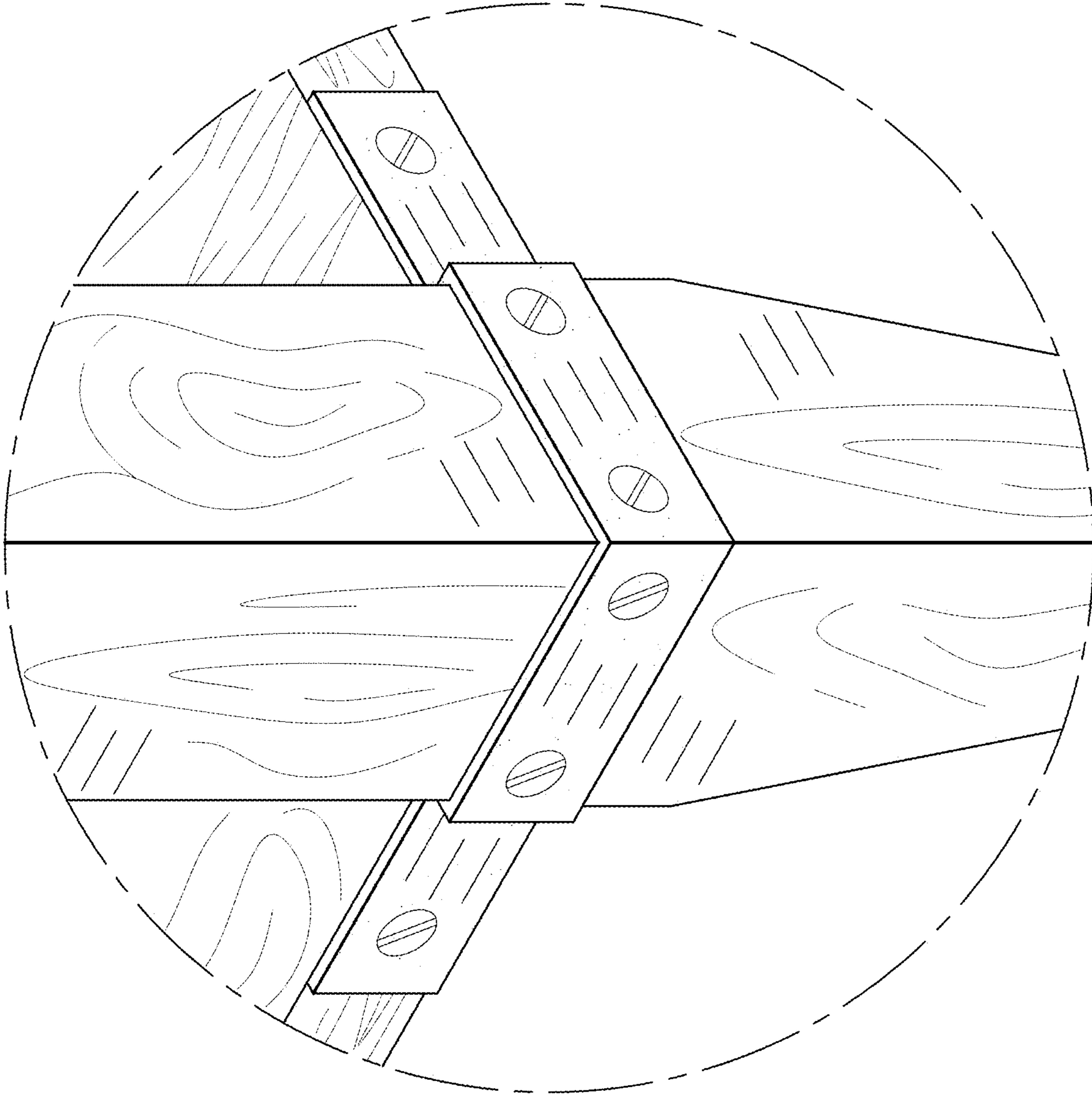


FIG. 14

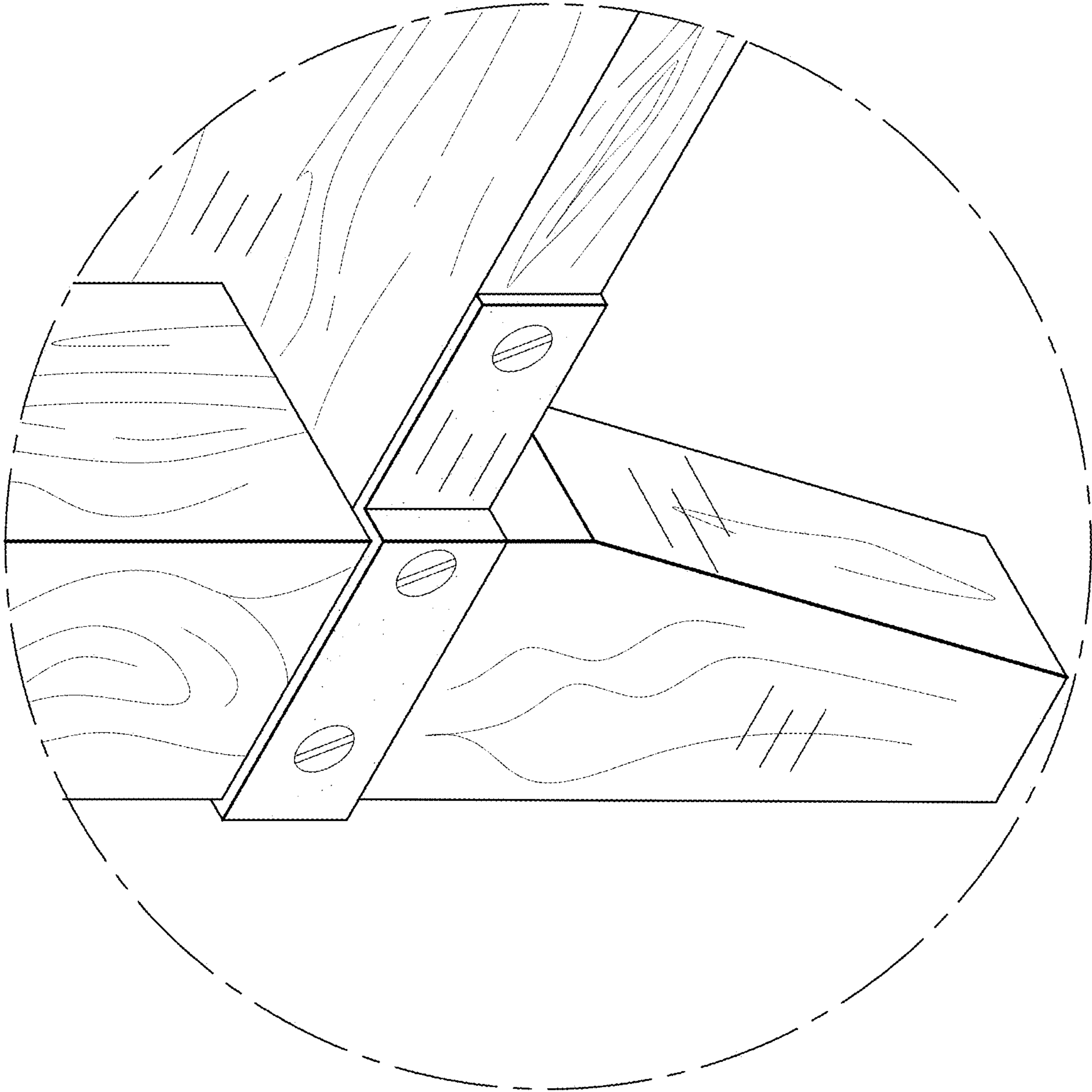


FIG. 15

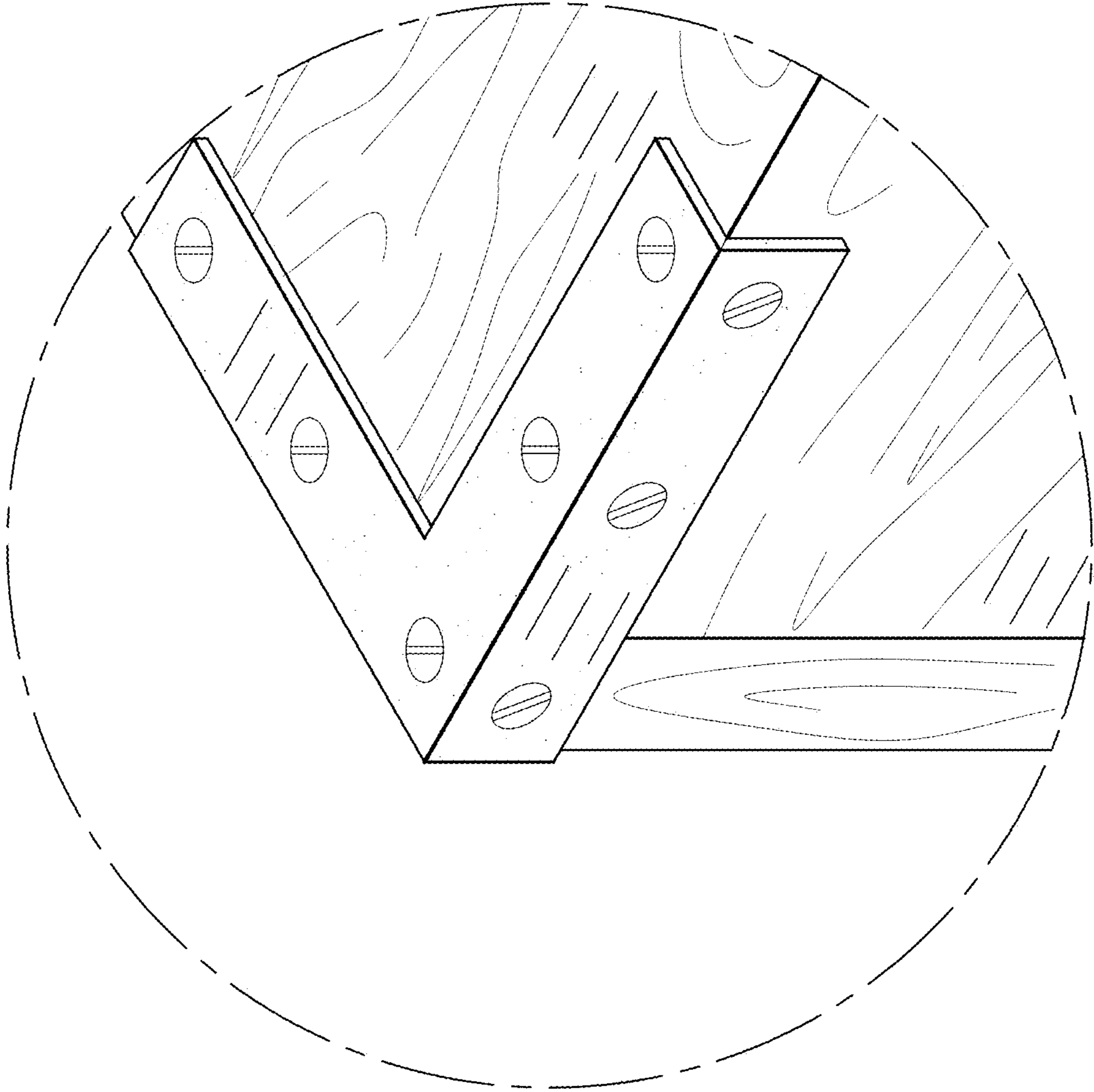


FIG. 16