



US00D924607S

(12) **United States Design Patent** (10) **Patent No.:** **US D924,607 S**
Lo (45) **Date of Patent:** **** Jul. 13, 2021**

(54) **STORAGE RACK**
(71) Applicant: **Ten Square Inc**, Bethpage, NY (US)
(72) Inventor: **Feng-Jung Lo**, Bethpage, NY (US)
(73) Assignee: **Ten Square Inc**, Bethpage, NY (US)
(**) Term: **15 Years**
(21) Appl. No.: **29/699,047**
(22) Filed: **Jul. 23, 2019**
(51) **LOC (13) Cl.** **06-06**
(52) **U.S. Cl.**
USPC **D6/675.4**
(58) **Field of Classification Search**
USPC D6/672, 675, 675.2, 675.1, 675.3, 675.4;
D7/600.1, 600.4
CPC A47B 53/00; A47B 63/00; A47B 63/02;
A47F 5/0018; A47F 5/0006; A47F
5/0807; A47F 5/0876; A47F 7/16
See application file for complete search history.

D450,947 S * 11/2001 Walker D6/675.5
D476,510 S * 7/2003 Henry D6/675.1
D834,859 S * 12/2018 Hawkins D6/675.4
D844,352 S * 4/2019 Felsenthal D6/675.4
10,477,984 B2 * 11/2019 Arnold A47F 7/146
D878,834 S * 3/2020 Johnson A47F 3/004
D6/683.1
2014/0279290 A1 * 9/2014 Rimnac G06F 16/58
705/28

* cited by examiner

Primary Examiner — Kelley A Donnelly

(74) *Attorney, Agent, or Firm* — Alan D. Kamrath; Karin L. Williams; Mayer & Williams PC

(57) **CLAIM**

The ornamental design for a storage rack, as shown and described.

DESCRIPTION

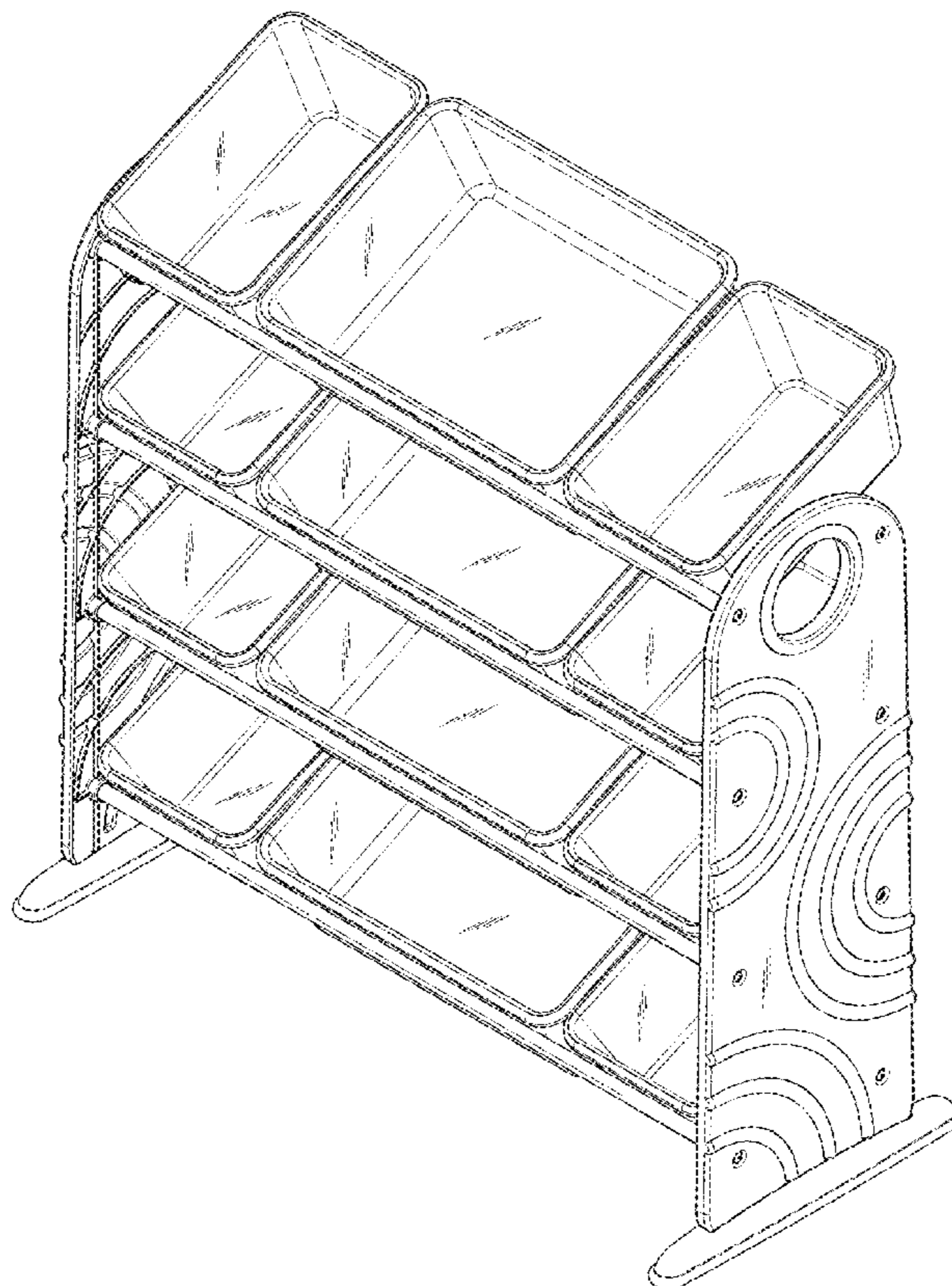
FIG. 1 is a perspective view of a storage rack showing my design.
FIG. 2 is a front elevational view thereof.
FIG. 3 is a rear elevational view thereof.
FIG. 4 is a left side elevational view thereof.
FIG. 5 is a right side elevational view thereof.
FIG. 6 is a top plan view thereof; and,
FIG. 7 is a bottom plan view thereof.
The broken lines shown in the drawings illustrate portions of the storage rack and form no part of the claimed design.

1 Claim, 7 Drawing Sheets

(56) **References Cited**

U.S. PATENT DOCUMENTS

D93,083 S * 8/1934 Wright D6/675.4
D103,869 S * 3/1937 Follett D6/675.4
D127,672 S * 6/1941 Brown D6/675.4
D231,760 S * 6/1974 Molzen D6/571
D291,166 S * 8/1987 Morris D6/683.1
D394,565 S * 5/1998 Wang D6/675.4



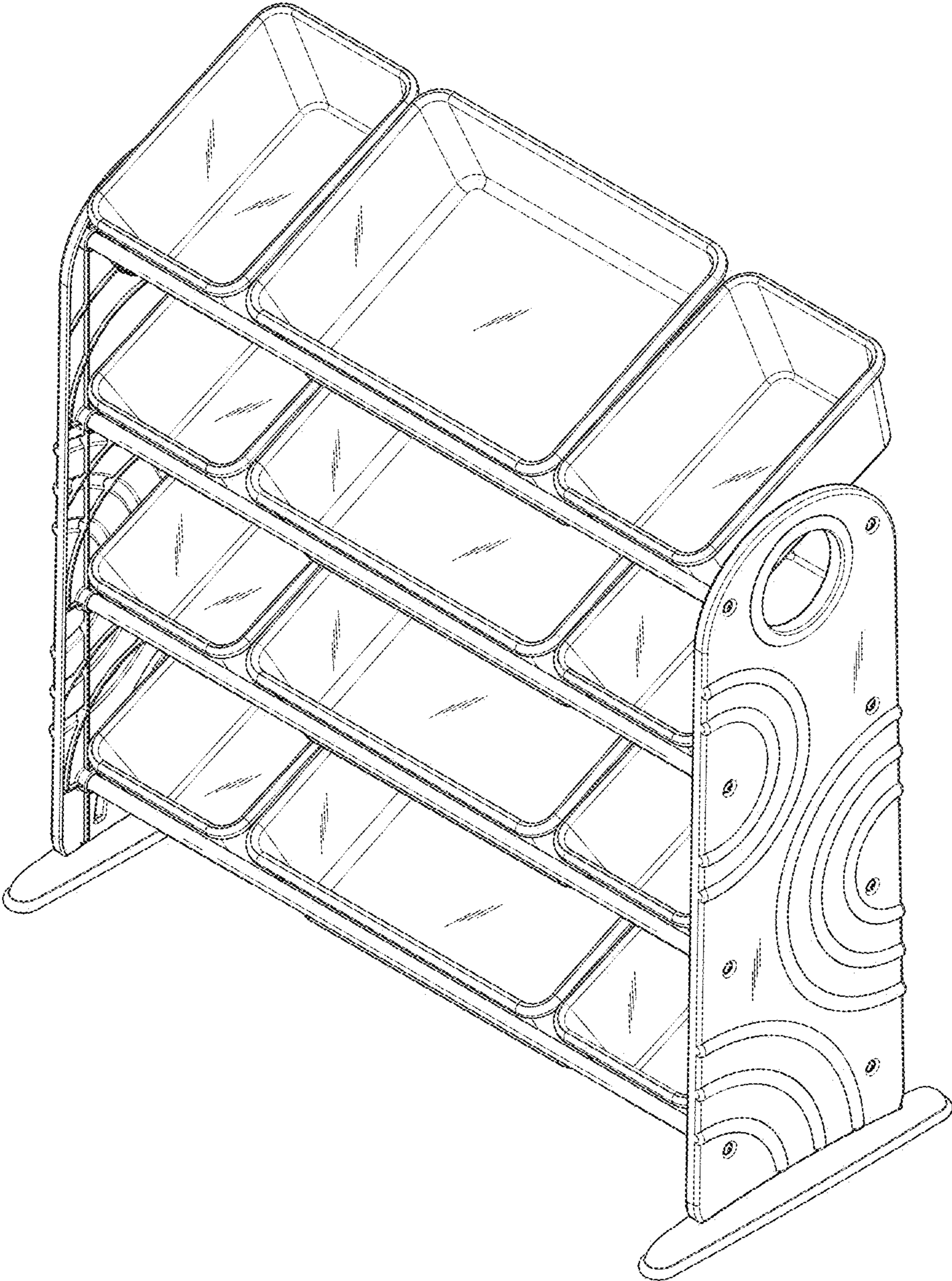


FIG. 1

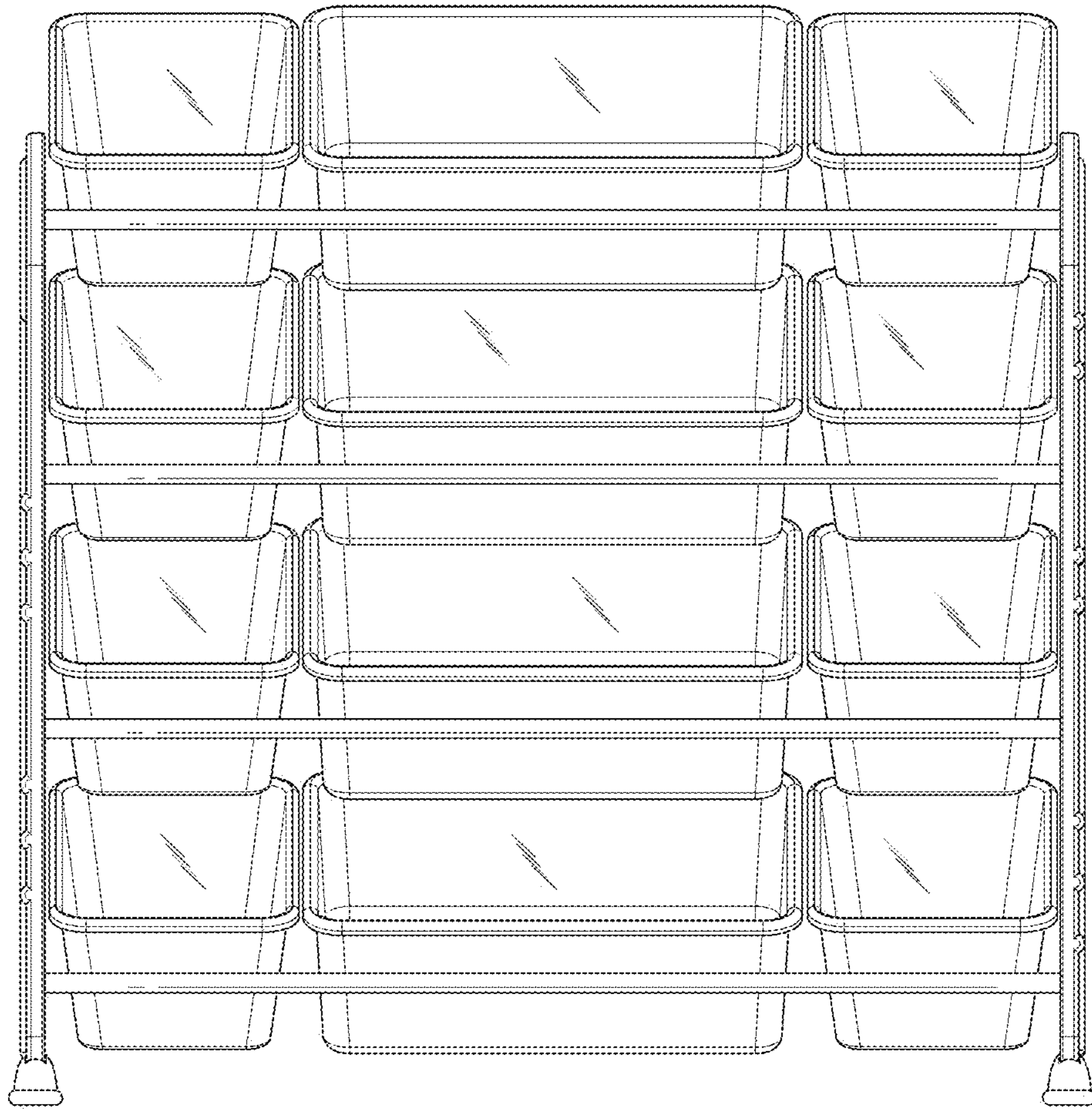


FIG. 2

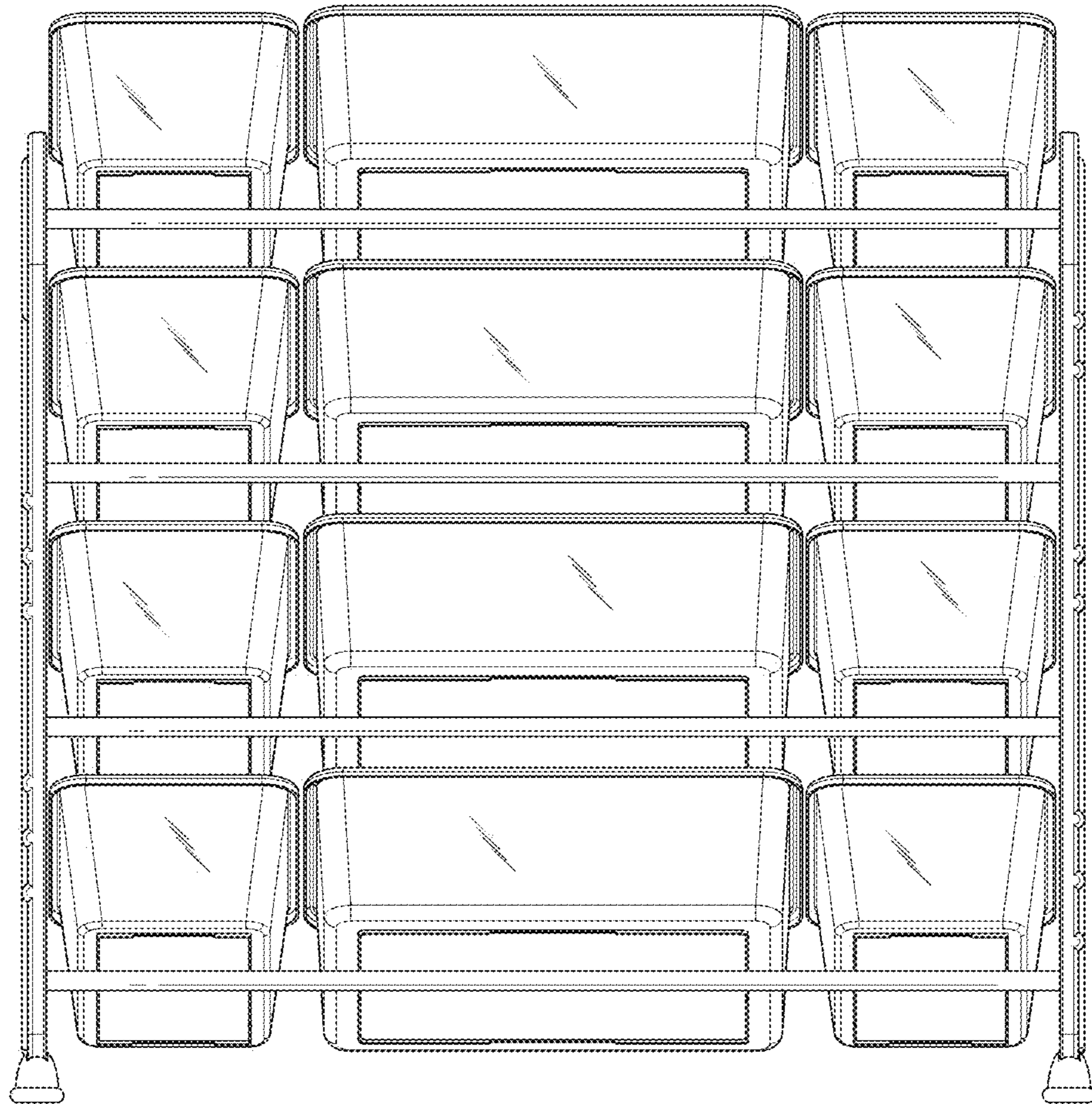


FIG. 3

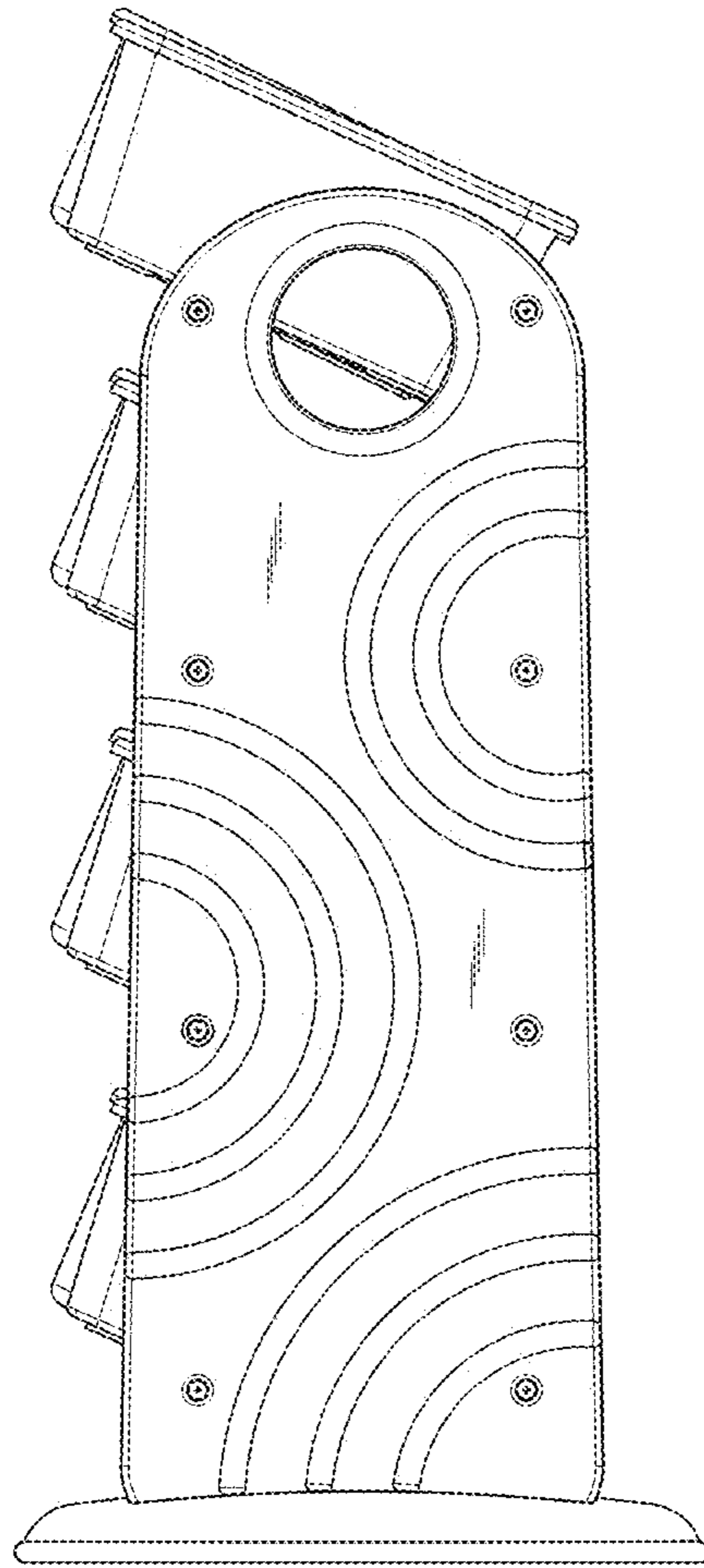


FIG. 4

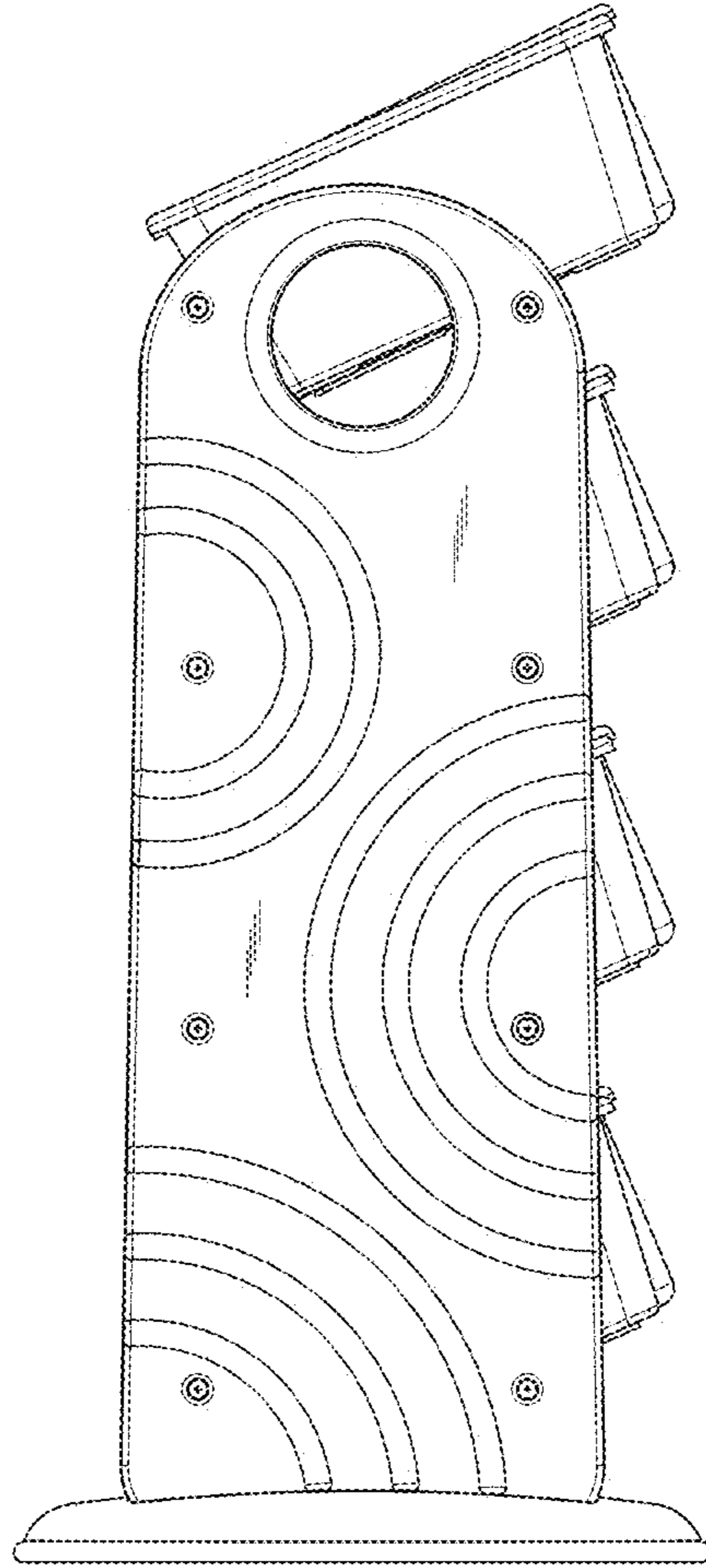


FIG. 5

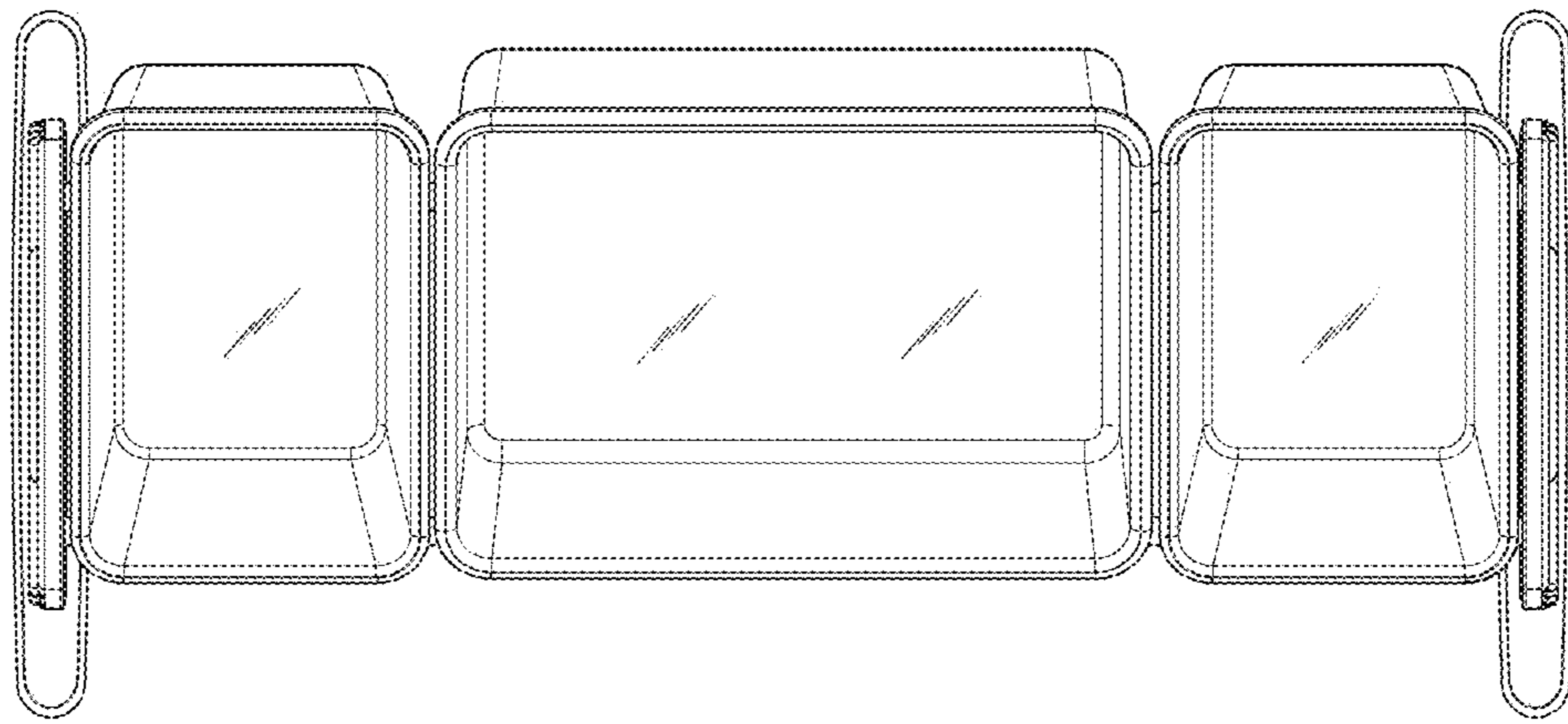


FIG. 6

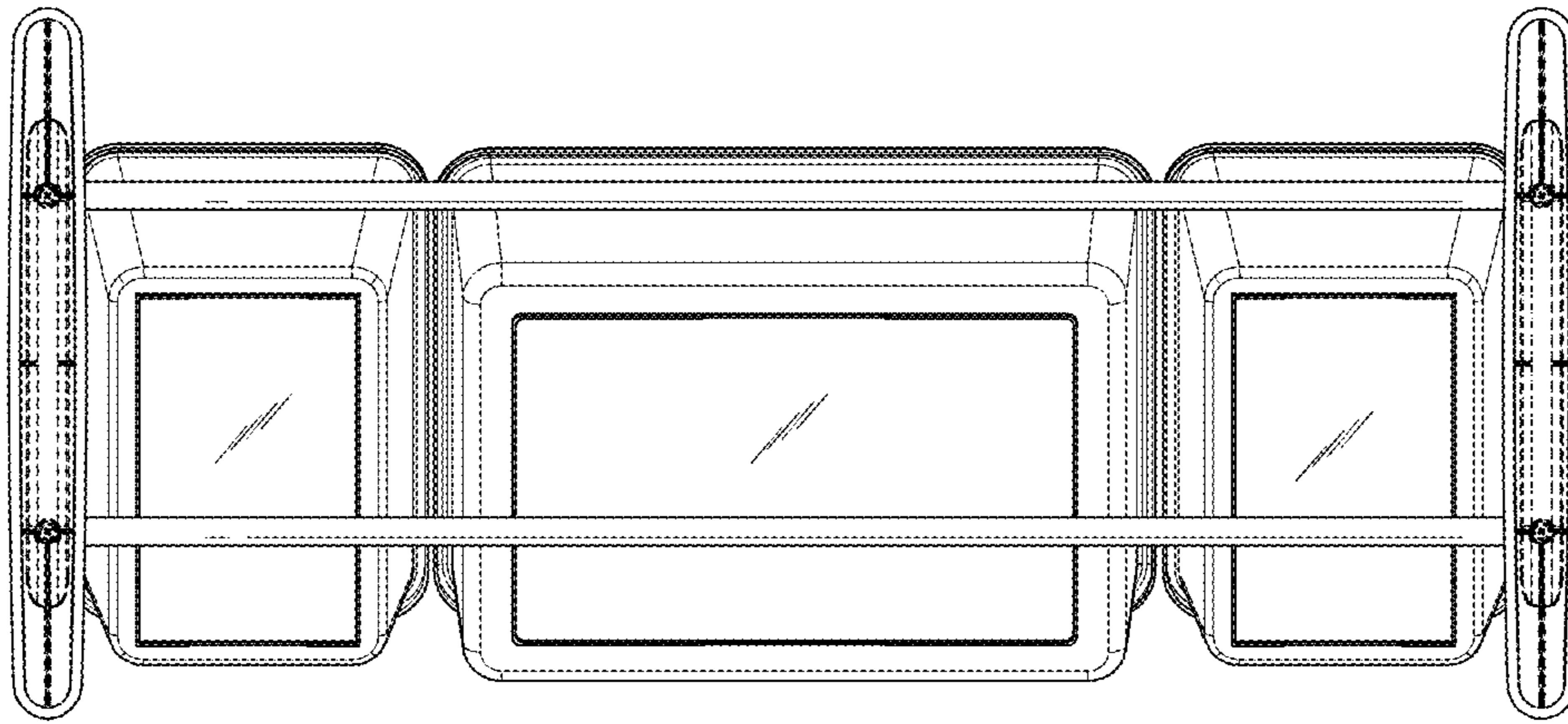


FIG. 7