



US00D924606S

(12) **United States Design Patent**
Li

(10) **Patent No.:** **US D924,606 S**

(45) **Date of Patent:** **** Jul. 13, 2021**

(54) **SHELF**

(71) Applicant: **39F USA INC**, Rancho Cucamonga,
CA (US)

(72) Inventor: **Yuehai Li**, Rancho Cucamonga, CA
(US)

(**) Term: **15 Years**

(21) Appl. No.: **29/727,060**

(22) Filed: **Mar. 8, 2020**

(51) **LOC (13) Cl.** **06-06**

(52) **U.S. Cl.**
USPC **D6/675.1**

(58) **Field of Classification Search**
USPC D6/672, 675, 675.1, 675.2, 682, 682.1
CPC A47F 5/00; A47F 5/0018; A47F 5/0043;
B25H 3/00; A47B 55/00; A47B 96/02
See application file for complete search history.

(56) **References Cited**

U.S. PATENT DOCUMENTS

D604,546 S * 11/2009 Alman D6/552
D829,024 S * 9/2018 Mejia D6/661

D834,354 S * 11/2018 Davis D6/657
D835,925 S * 12/2018 Denby D6/675
D843,756 S * 3/2019 Johnson D6/675
D915,799 S * 4/2021 Davis D6/675
2004/0206013 A1* 10/2004 Berg A01G 9/16
52/63
2014/0252939 A1* 9/2014 Tunzi A47B 57/08
312/408

* cited by examiner

Primary Examiner — Kelley A Donnelly

(74) *Attorney, Agent, or Firm* — Feng Qian

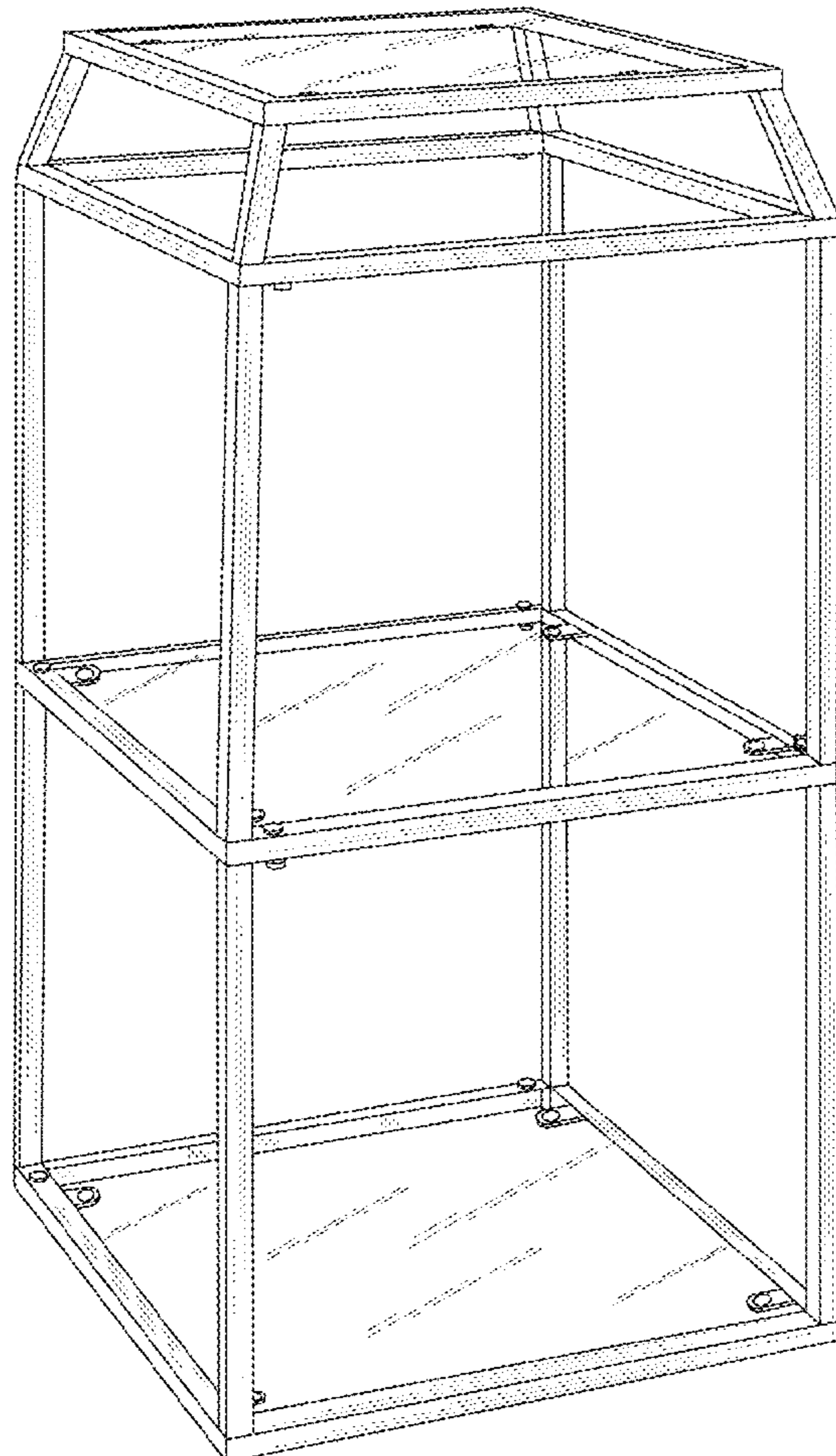
(57) **CLAIM**

The ornamental design for a shelf, as shown and described.

DESCRIPTION

FIG. 1 is a front perspective view of a shelf showing my new design;
FIG. 2 is a front elevation view thereof;
FIG. 3 is a rear elevation view thereof;
FIG. 4 is a left-side elevation view thereof;
FIG. 5 is a right-side elevation view thereof;
FIG. 6 is a top plan view thereof; and,
FIG. 7 is a rear plan view thereof.

1 Claim, 7 Drawing Sheets



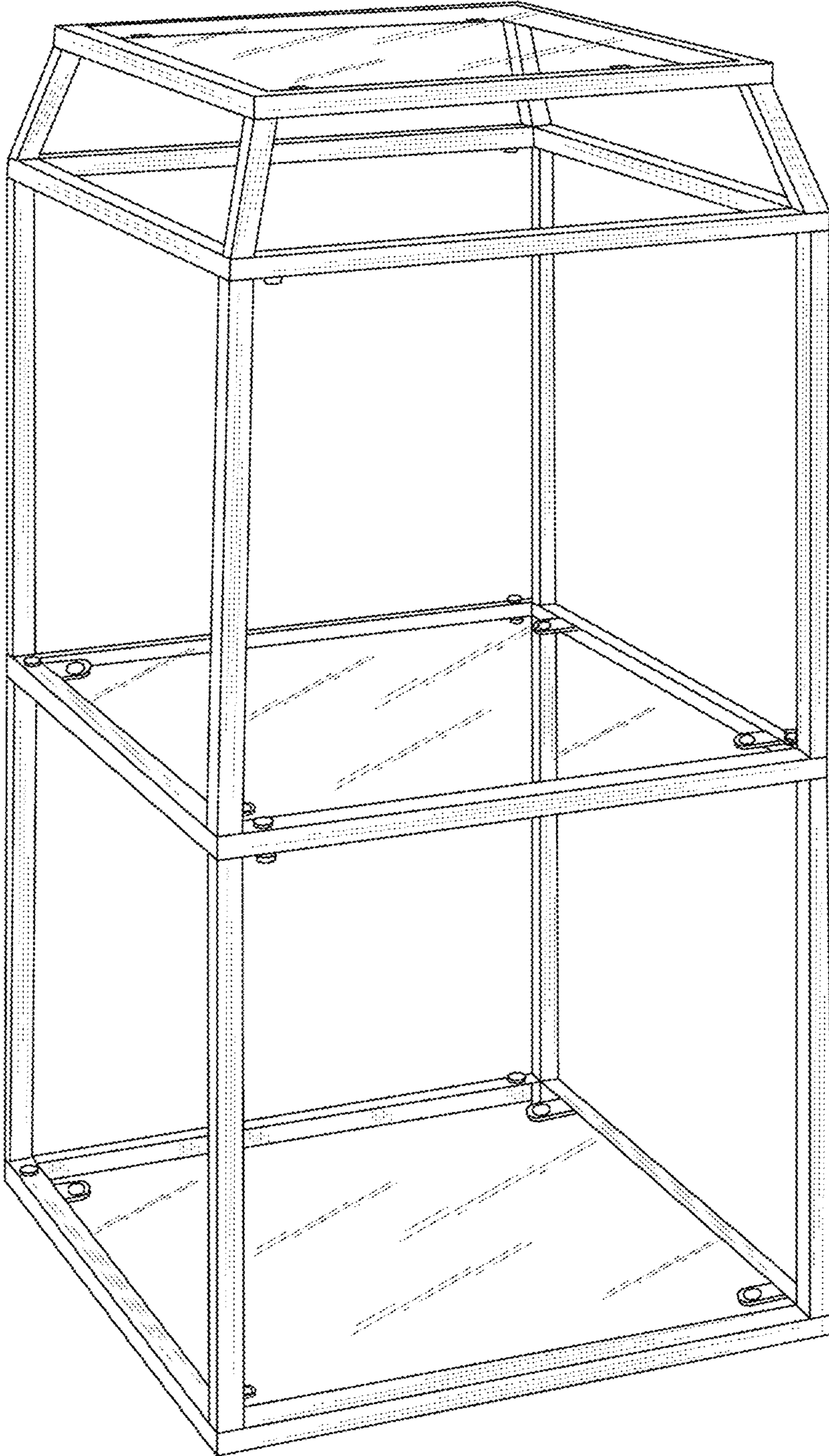


Fig.1

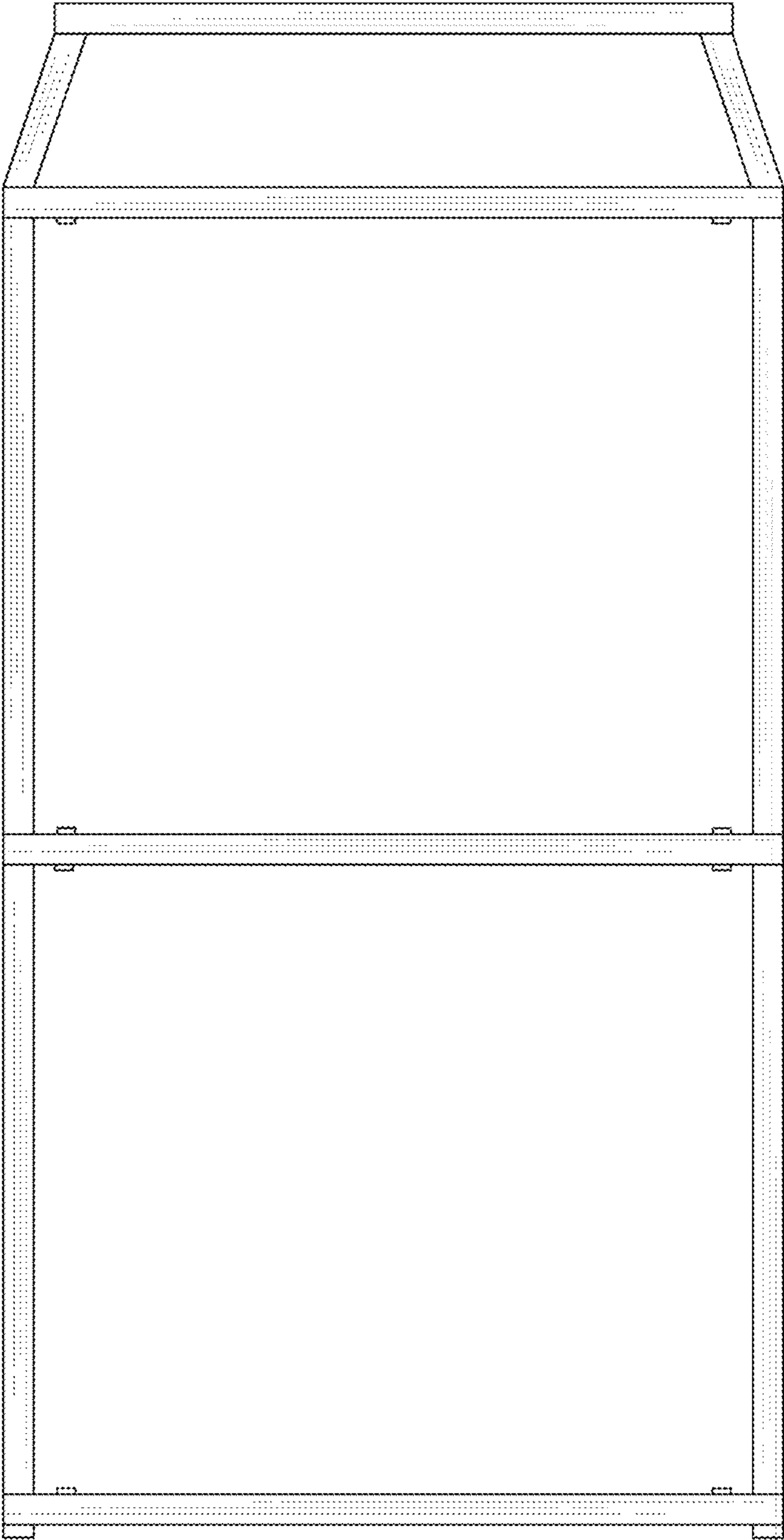


Fig.2

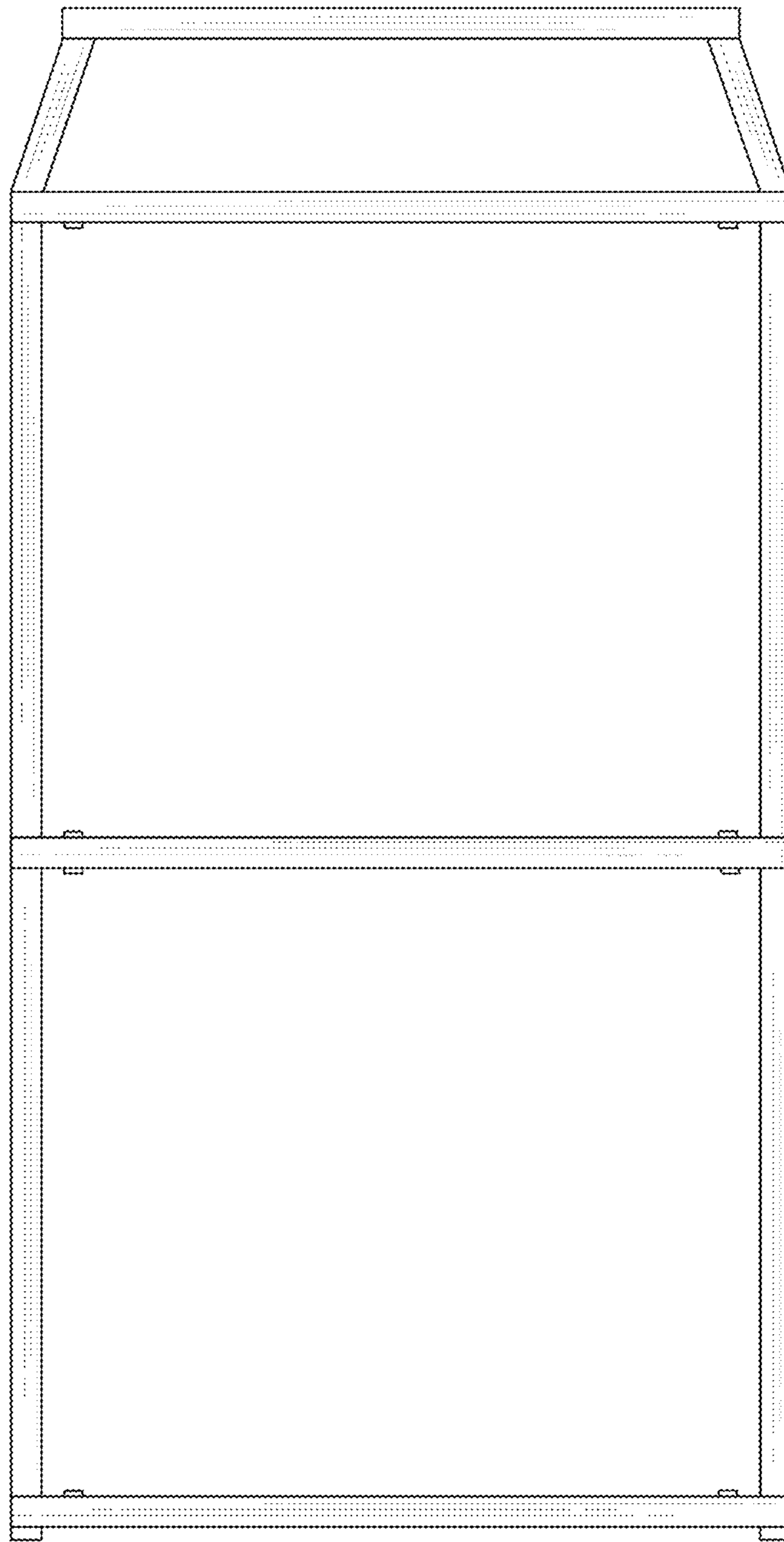


Fig.3

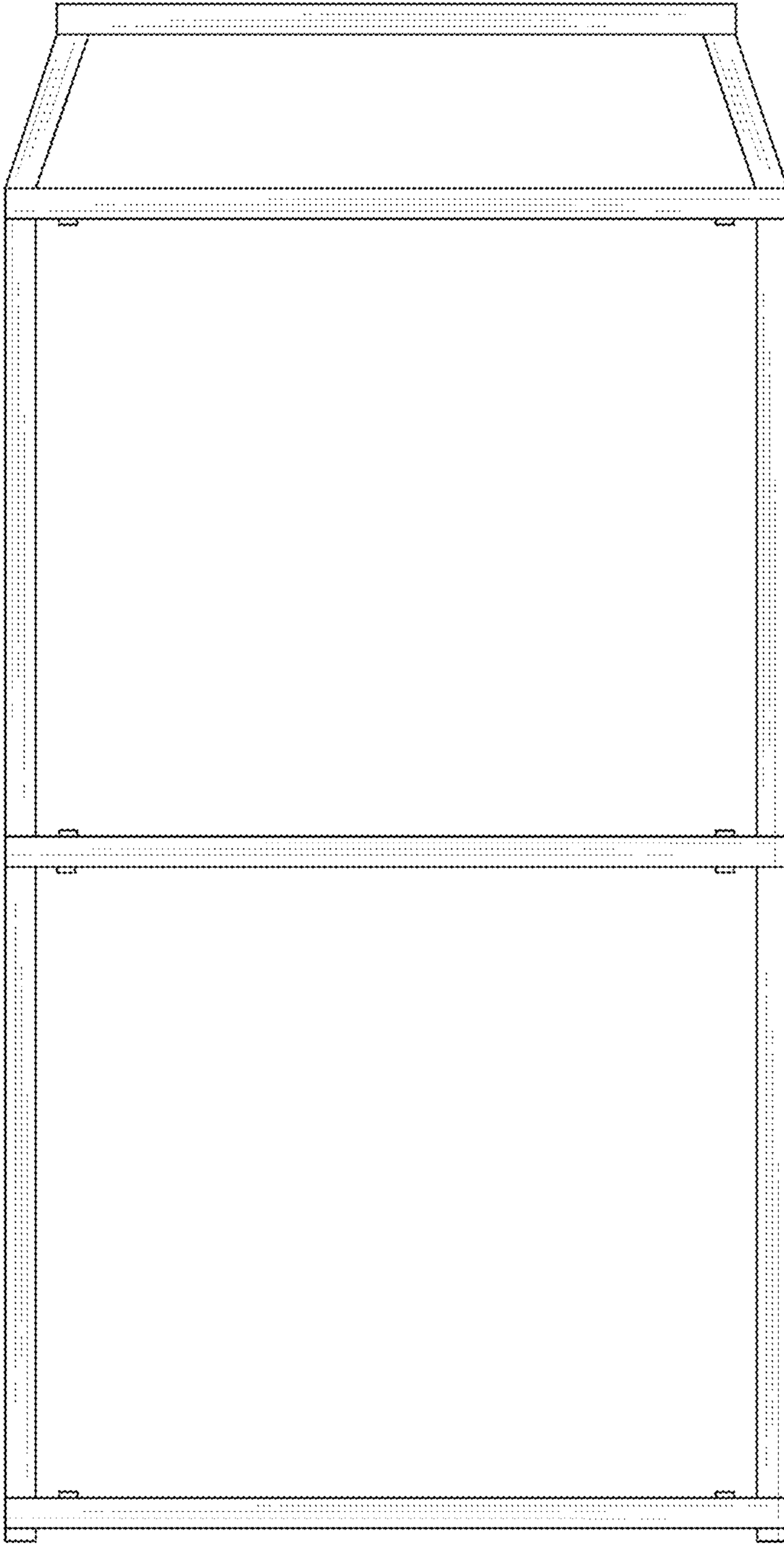


Fig.4

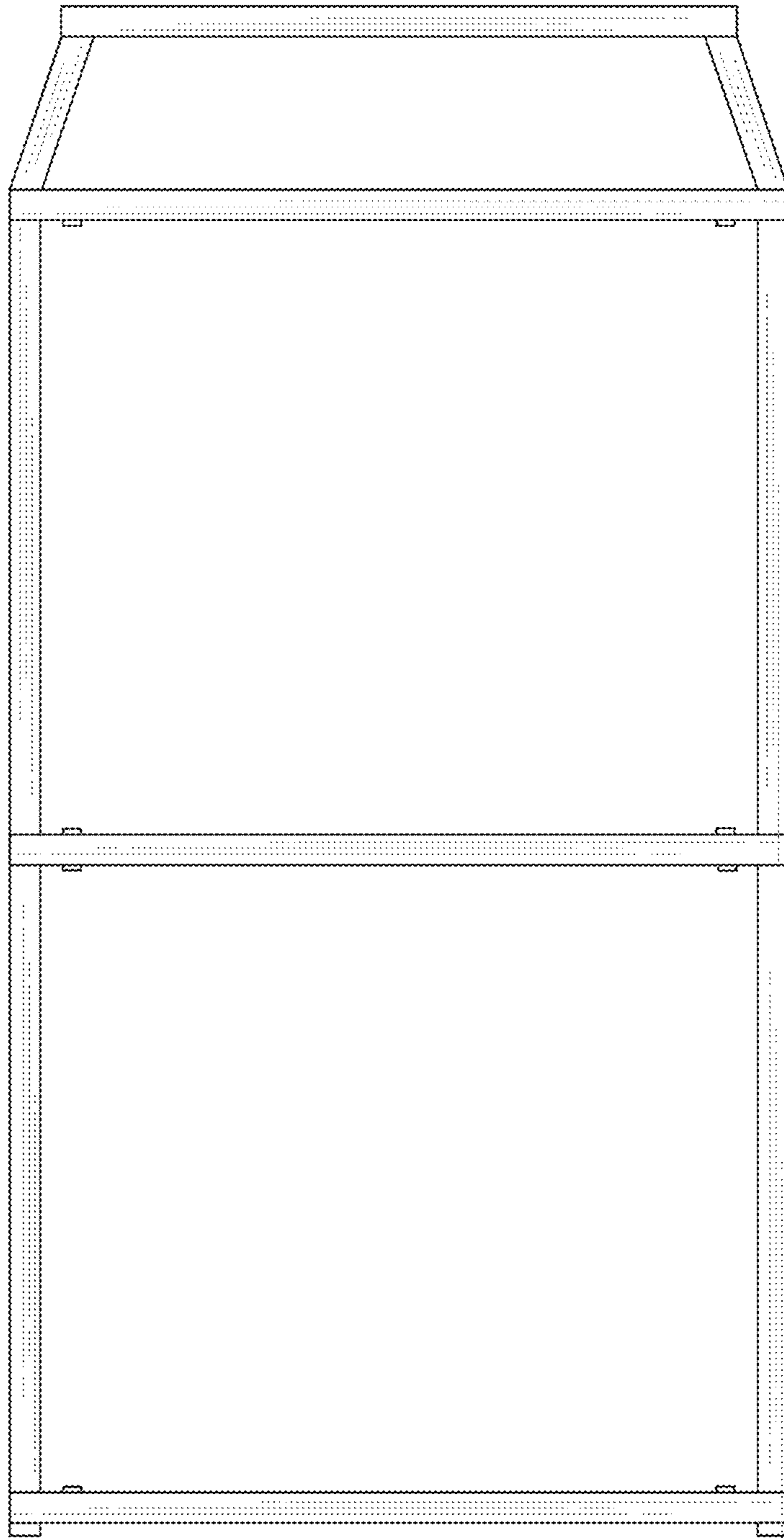


Fig.5

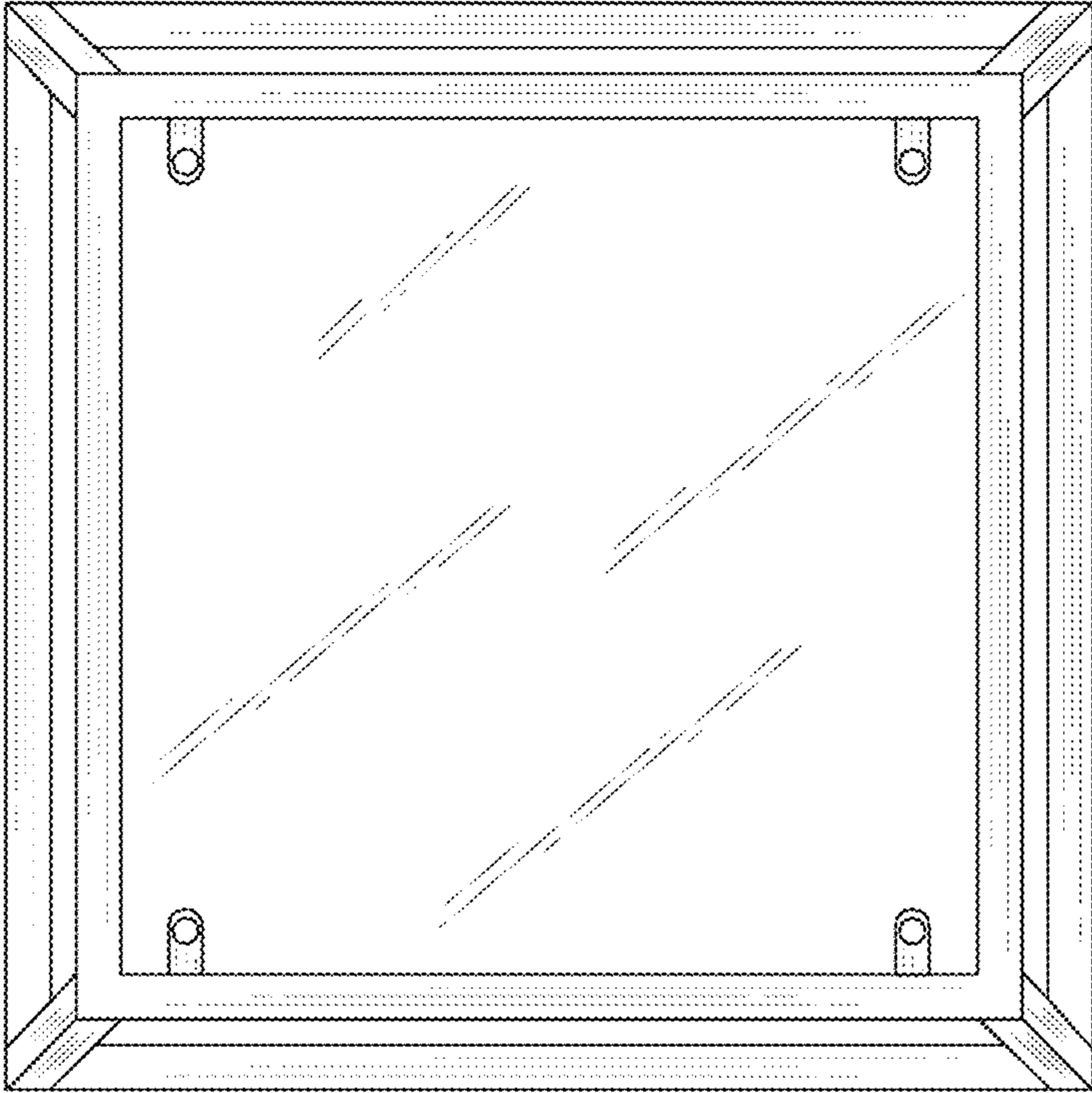


Fig.6

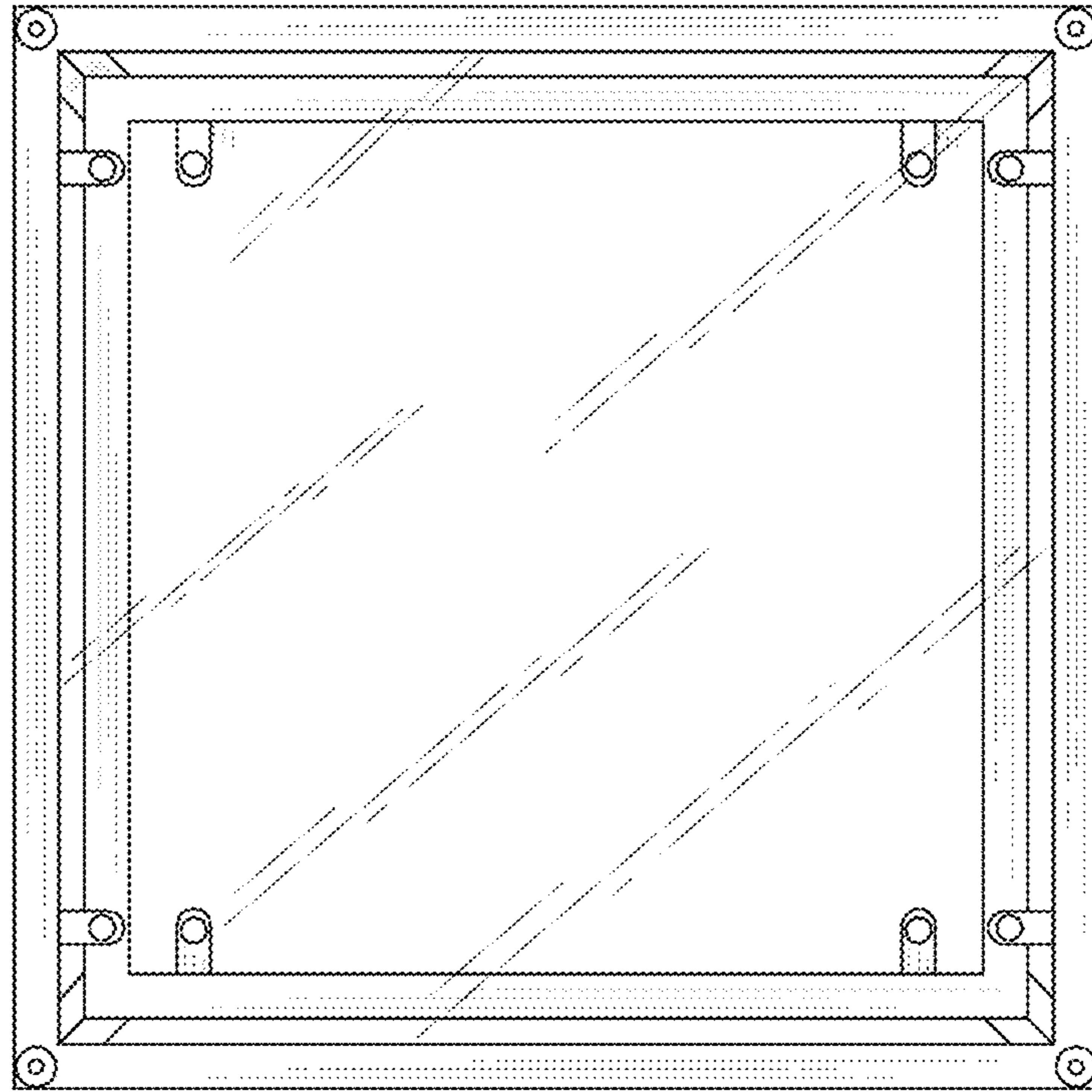


Fig.7