



US00D924604S

(12) **United States Design Patent** (10) **Patent No.:** **US D924,604 S**
Moon et al. (45) **Date of Patent:** **** Jul. 13, 2021**

(54) **DISPLAY UNIT FOR SKIN CARE DEVICE**

(56) **References Cited**

(71) Applicant: **LG ELECTRONICS INC.**, Seoul (KR)

U.S. PATENT DOCUMENTS

(72) Inventors: **Yihyun Moon**, Seoul (KR); **Byungsoo Kim**, Seoul (KR); **Dana Jung**, Seoul (KR)

D238,335 S *	1/1976	Ocko et al.	D6/661
D391,406 S *	3/1998	Field	D6/302
D403,534 S *	1/1999	Gregory	D6/559
D436,441 S *	1/2001	Lapidus	D3/273
D458,037 S *	6/2002	Ueno	D6/302
D481,558 S *	11/2003	Milligan	A47F 10/06
			D6/661
D549,990 S *	9/2007	Hsu	D6/661
D745,775 S *	12/2015	Provost	D3/205
D778,610 S *	2/2017	Chen	D3/302
D812,934 S *	3/2018	Leonorovitz	D6/667
2011/0315680 A1 *	12/2011	Smith	A47F 10/06
			220/23.88

(73) Assignee: **LG ELECTRONICS INC.**, Seoul (KR)

(**) Term: **15 Years**

(21) Appl. No.: **35/508,396**

* cited by examiner

(22) Filed: **Jun. 7, 2019**

Primary Examiner — Mary Ann Calabrese

(80) **Hague Agreement Data**

(74) *Attorney, Agent, or Firm* — Birch, Stewart, Kolasch & Birch, LLP

Int. Filing Date: **Jun. 7, 2019**

Int. Reg. No.: **DM/205302**

Int. Reg. Date: **Jun. 7, 2019**

Int. Reg. Pub. Date: **Jan. 24, 2020**

(57) **CLAIM**

The ornamental design for a display unit for skin care device, as shown and described.

(30) **Foreign Application Priority Data**

DESCRIPTION

Dec. 12, 2018 (KR) 30-2018-0058514

(51) **LOC (13) Cl.** **06-04**

(52) **U.S. Cl.**

USPC **D6/661**

(58) **Field of Classification Search**

USPC D6/302, 557, 660, 661, 662, 672, 673; D3/201, 205, 273, 302; D9/415, 424, D9/737, 739, 740, 748, 749, 755, 756, D9/759; D24/200; D28/73

CPC .. A47F 3/00; A47F 3/005; A47F 3/007; A47F 3/0404; A47F 3/0413; A47F 3/145

See application file for complete search history.

1. Display unit for skin care device

1.1 : Perspective

1.2 : Front

1.3 : Back

1.4 : Left

1.5 : Right

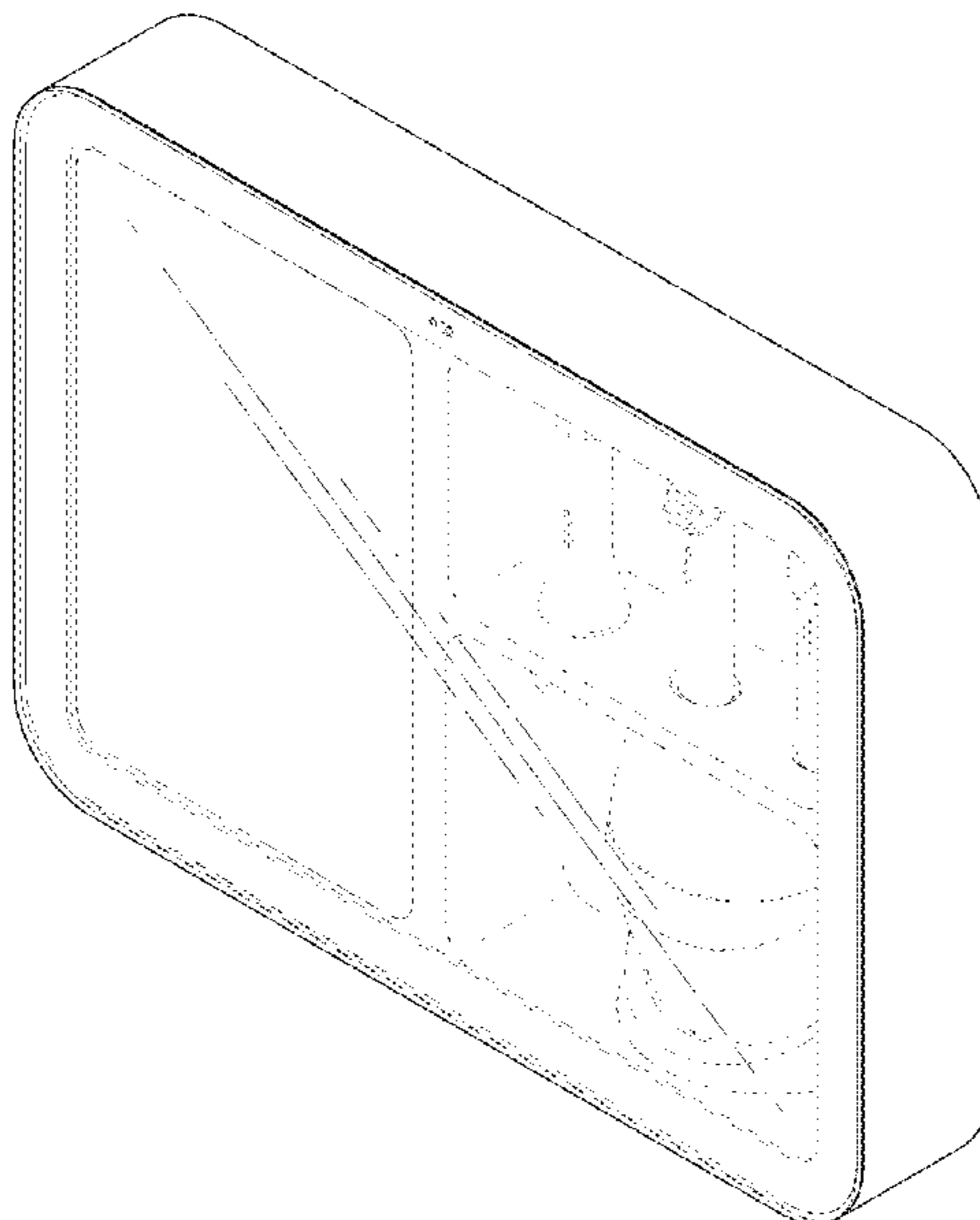
1.6 : Top

1.7 : Bottom

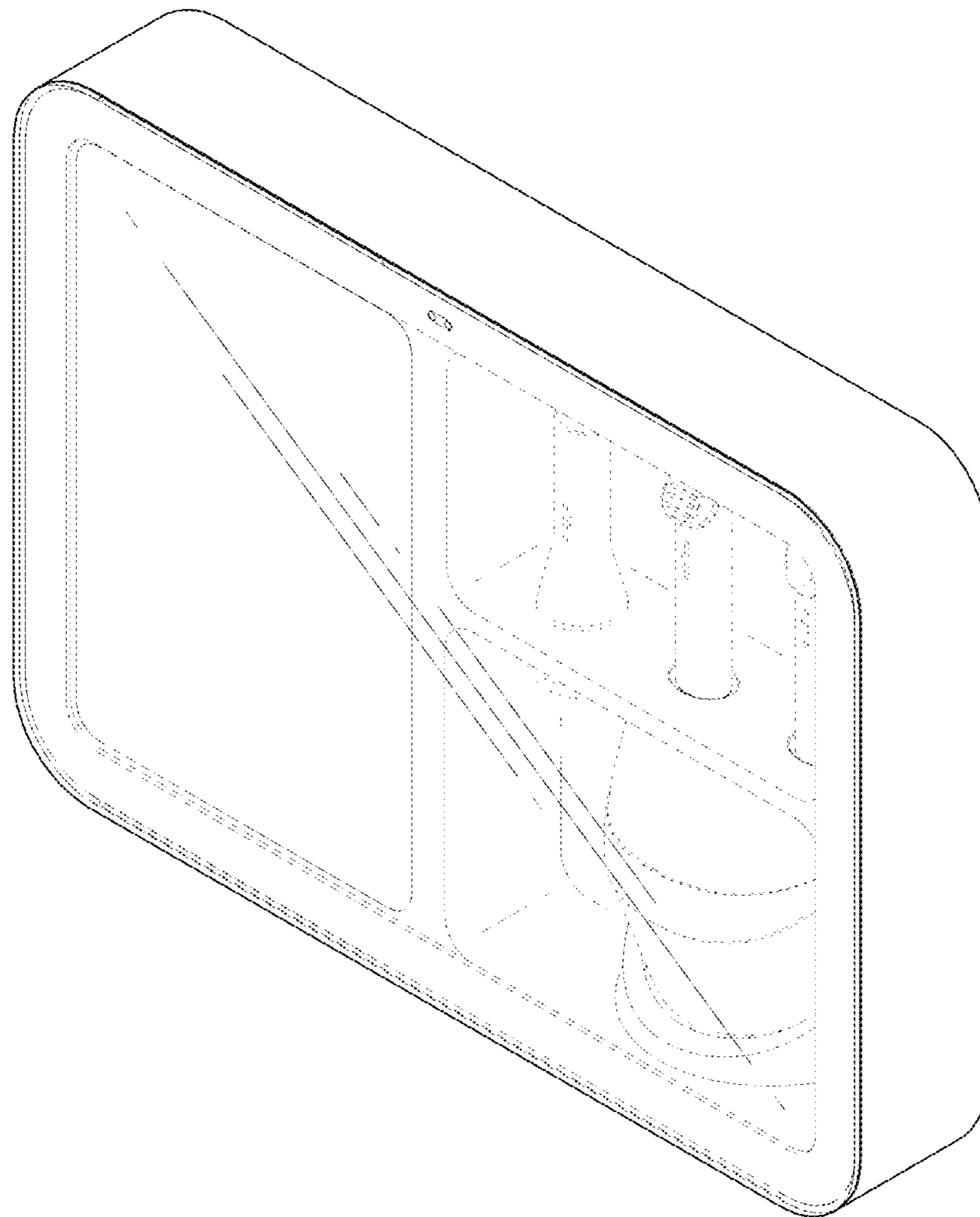
1.8 : Reference

The broken lines show portions of the article that form no part of the claimed design. Reference view **1.8** shows the claimed design with its translucent sliding door partially open to reveal a skin care device in it.

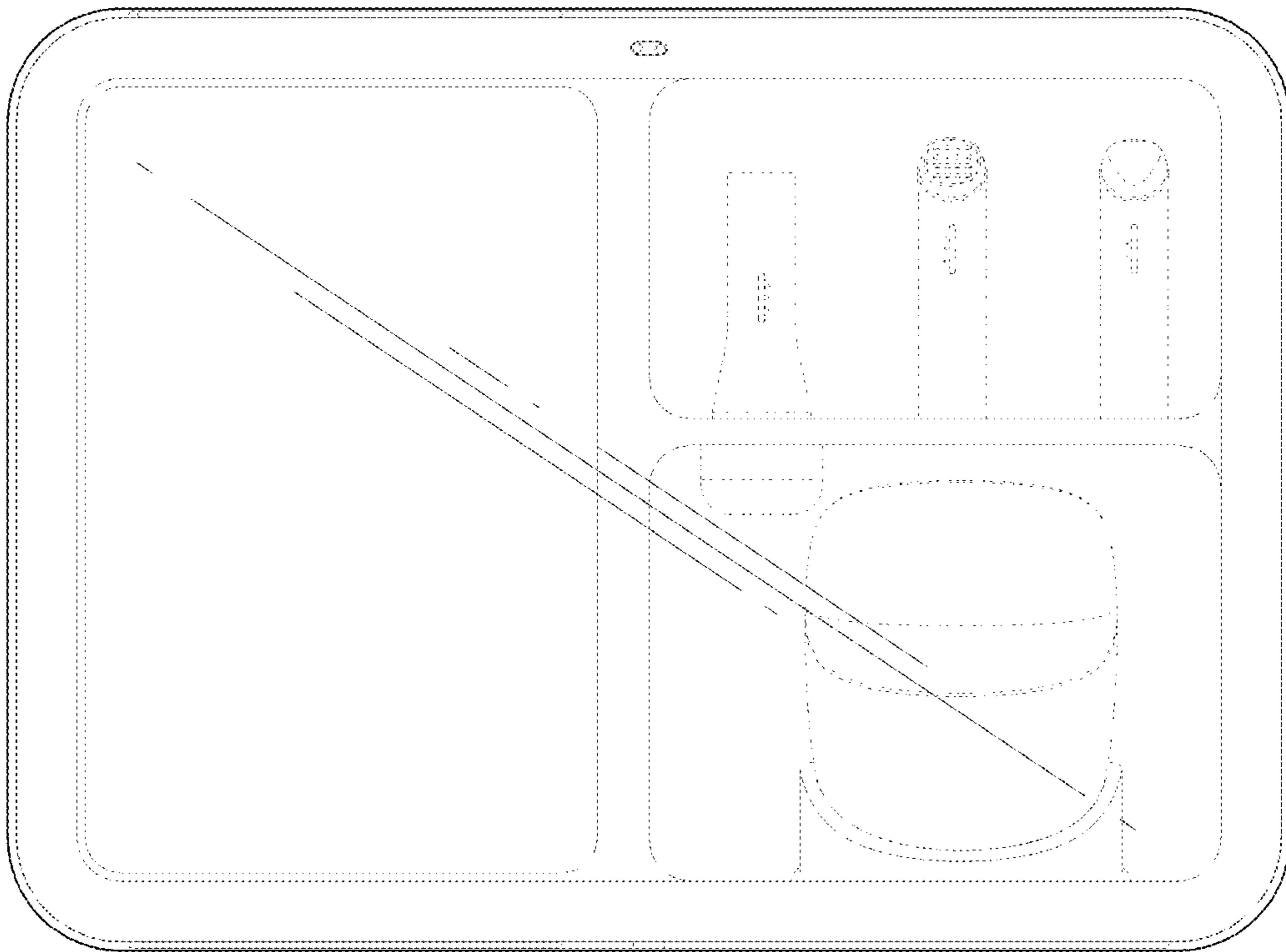
1 Claim, 8 Drawing Sheets



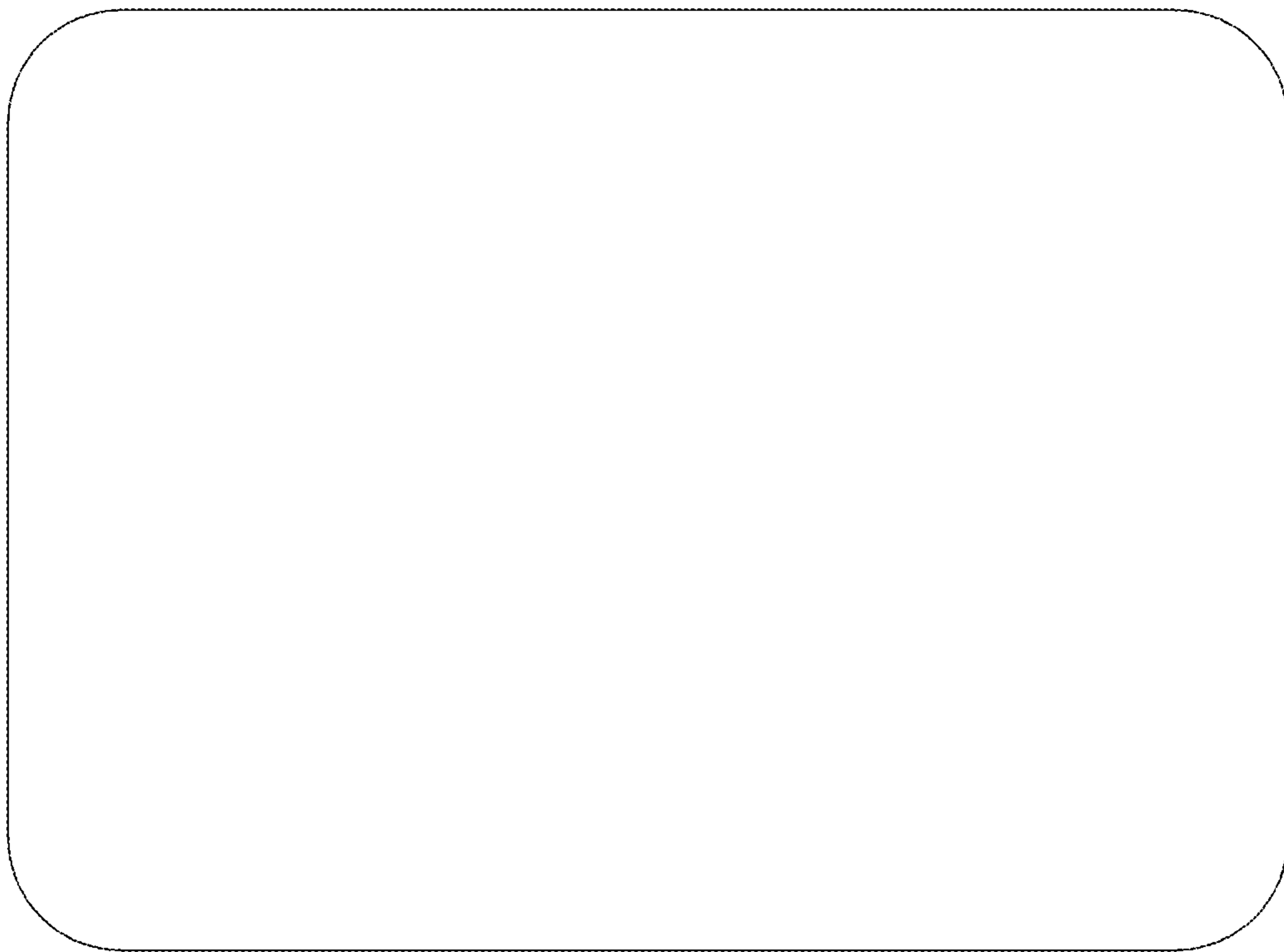
1.1



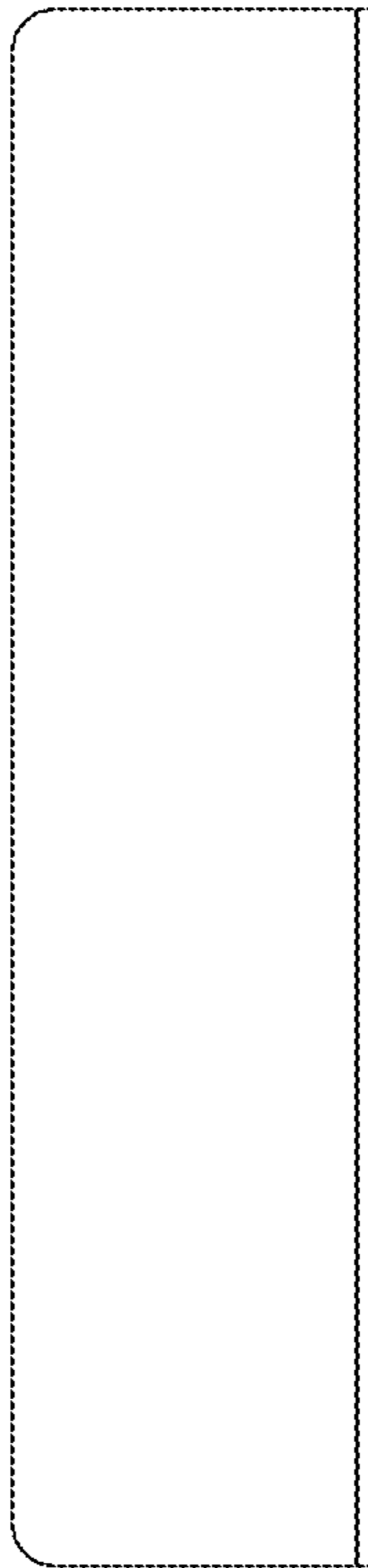
1.2



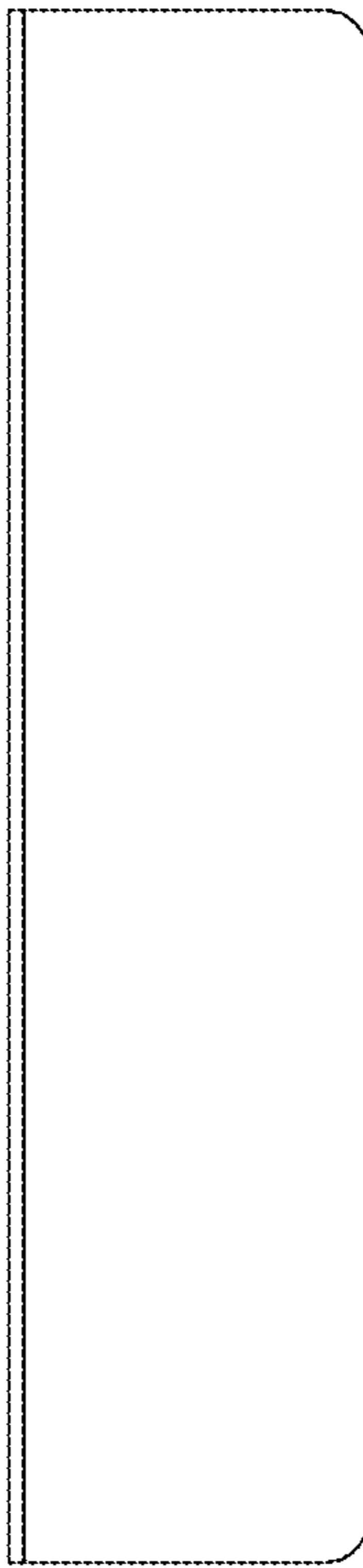
1.3



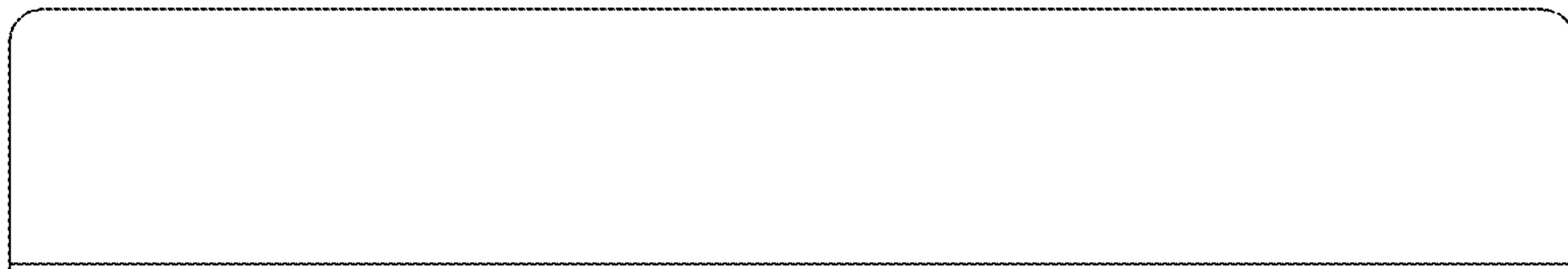
1.4



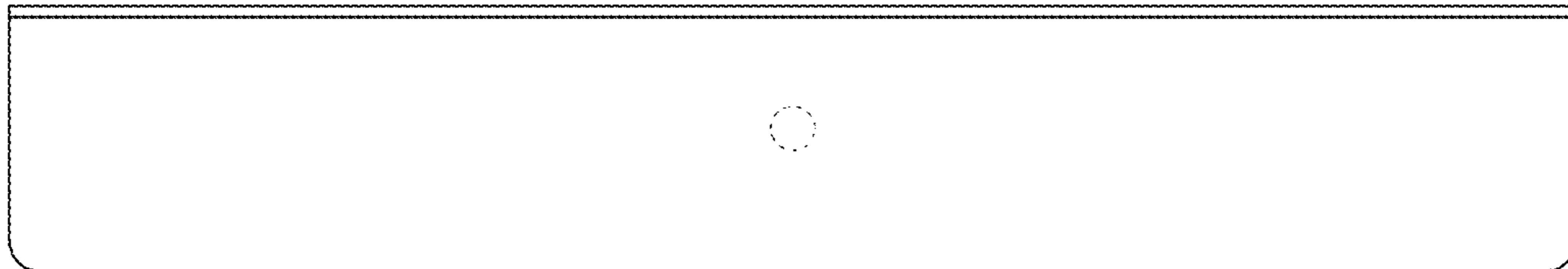
1.5



1.6



1.7



1.8

