

US00D924603S

(12) **United States Design Patent**  
**Evans**

(10) **Patent No.:** **US D924,603 S**

(45) **Date of Patent:** **\*\* Jul. 13, 2021**

(54) **VALVE CABINET**

(71) Applicant: **Potter Roemer LLC**, City of Industry,  
CA (US)

(72) Inventor: **Edwin E. Evans**, Irvine, CA (US)

(73) Assignee: **Potter Roemer LLC**, City of Industry,  
CA (US)

(\*\*) Term: **15 Years**

(21) Appl. No.: **29/653,879**

(22) Filed: **Jun. 19, 2018**

(51) **LOC (13) Cl.** ..... **06-04**

(52) **U.S. Cl.**  
USPC ..... **D6/657**

(58) **Field of Classification Search**  
USPC ..... D6/657, 659, 660, 661, 662, 663, 669  
CPC ..... A47B 46/00; A47B 47/00; A47B 47/02;  
A47B 47/021; A47B 47/022; A47B  
47/04; A47B 55/00; A47B 67/00; A47B  
67/02; A47B 67/04; A47B 81/00; A47B  
57/04

See application file for complete search history.

(56) **References Cited**

**U.S. PATENT DOCUMENTS**

D327,591 S *	7/1992	Gogan	.....	D6/661
D366,578 S *	1/1996	Cormican	.....	D6/661
D539,312 S *	3/2007	Kim	.....	D15/81
D826,291 S *	8/2018	Lim	.....	D15/81
D829,024 S *	9/2018	Mejia	.....	D6/661
D829,471 S *	10/2018	Fortmann	.....	D6/661
D857,425 S *	8/2019	Crutcher	.....	D6/661

D858,148 S *	9/2019	Crutcher	.....	D6/661
D861,384 S *	10/2019	Crutcher	.....	D6/661
D867,675 S *	11/2019	Klump	.....	D30/108
2015/0096225 A1 *	4/2015	Gervais	.....	A01G 9/16 47/17
2016/0135586 A1 *	5/2016	Neudeck	.....	A47B 97/00 312/114
2020/0027613 A1 *	1/2020	Harmon	.....	A47B 55/00

\* cited by examiner

*Primary Examiner* — R. Johnson

(74) *Attorney, Agent, or Firm* — Eric J. Sosenko;  
Jonathan P. O'Brien; Honigman LLP

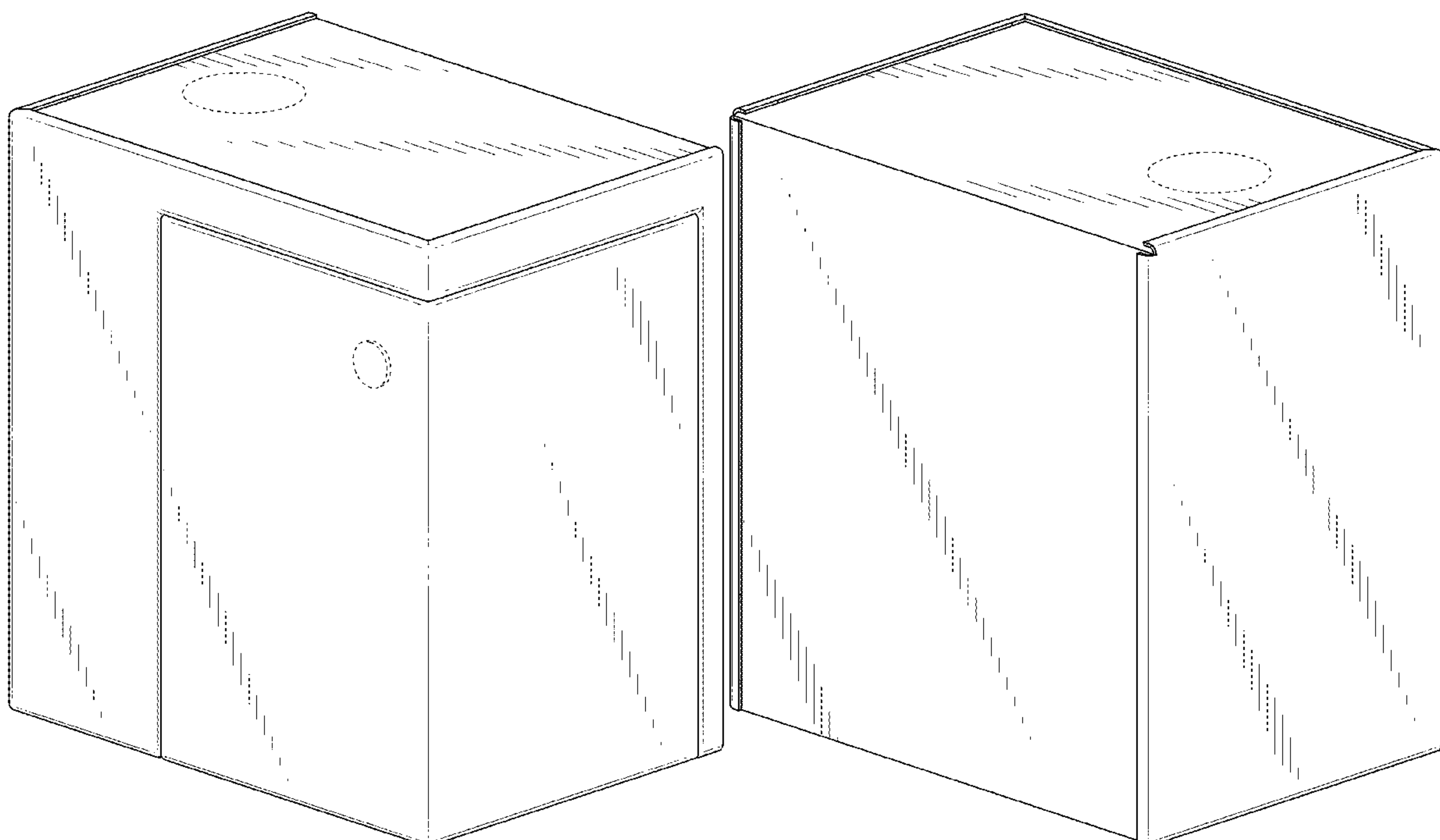
(57) **CLAIM**

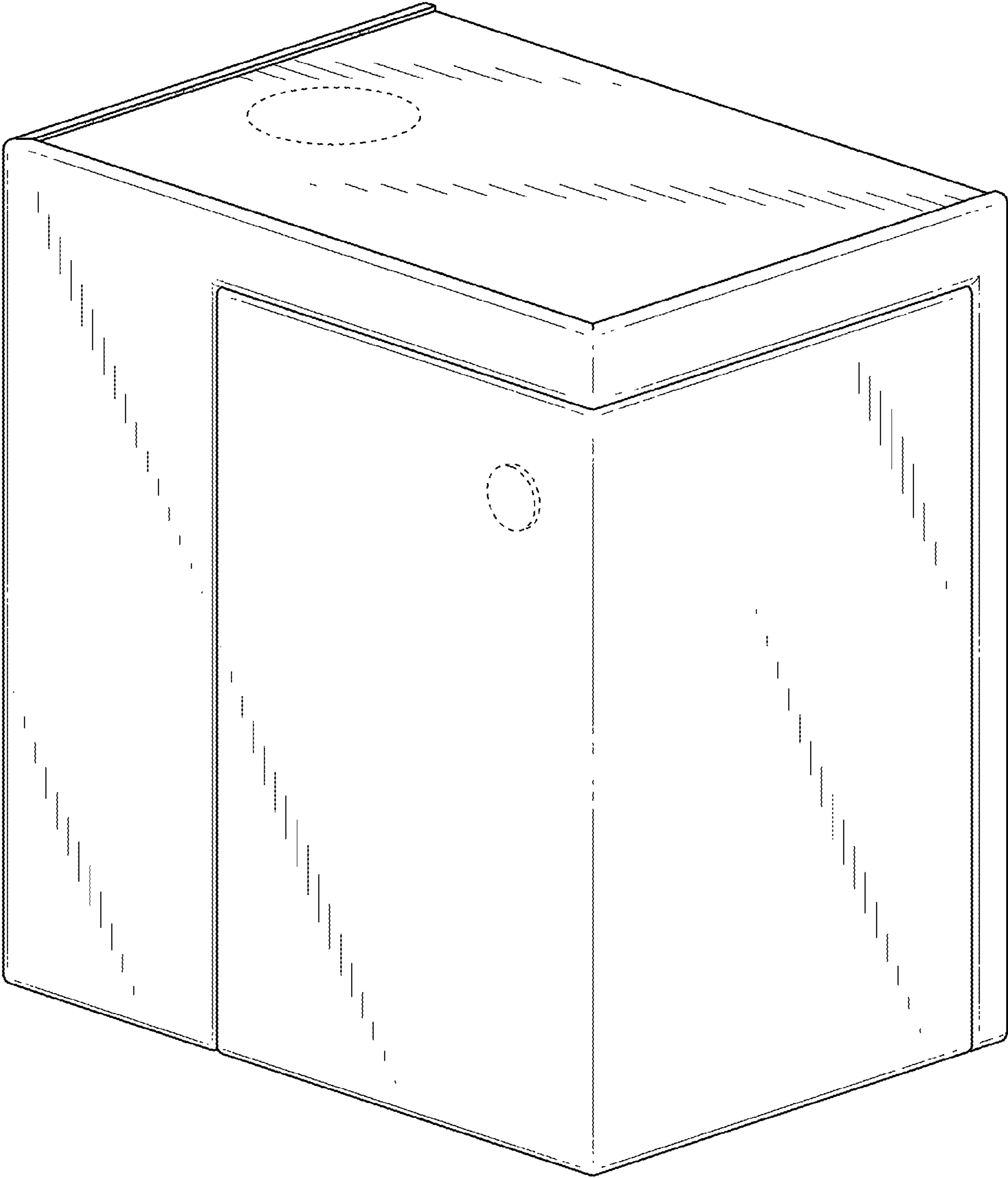
The ornamental design for a valve cabinet, as shown and described.

**DESCRIPTION**

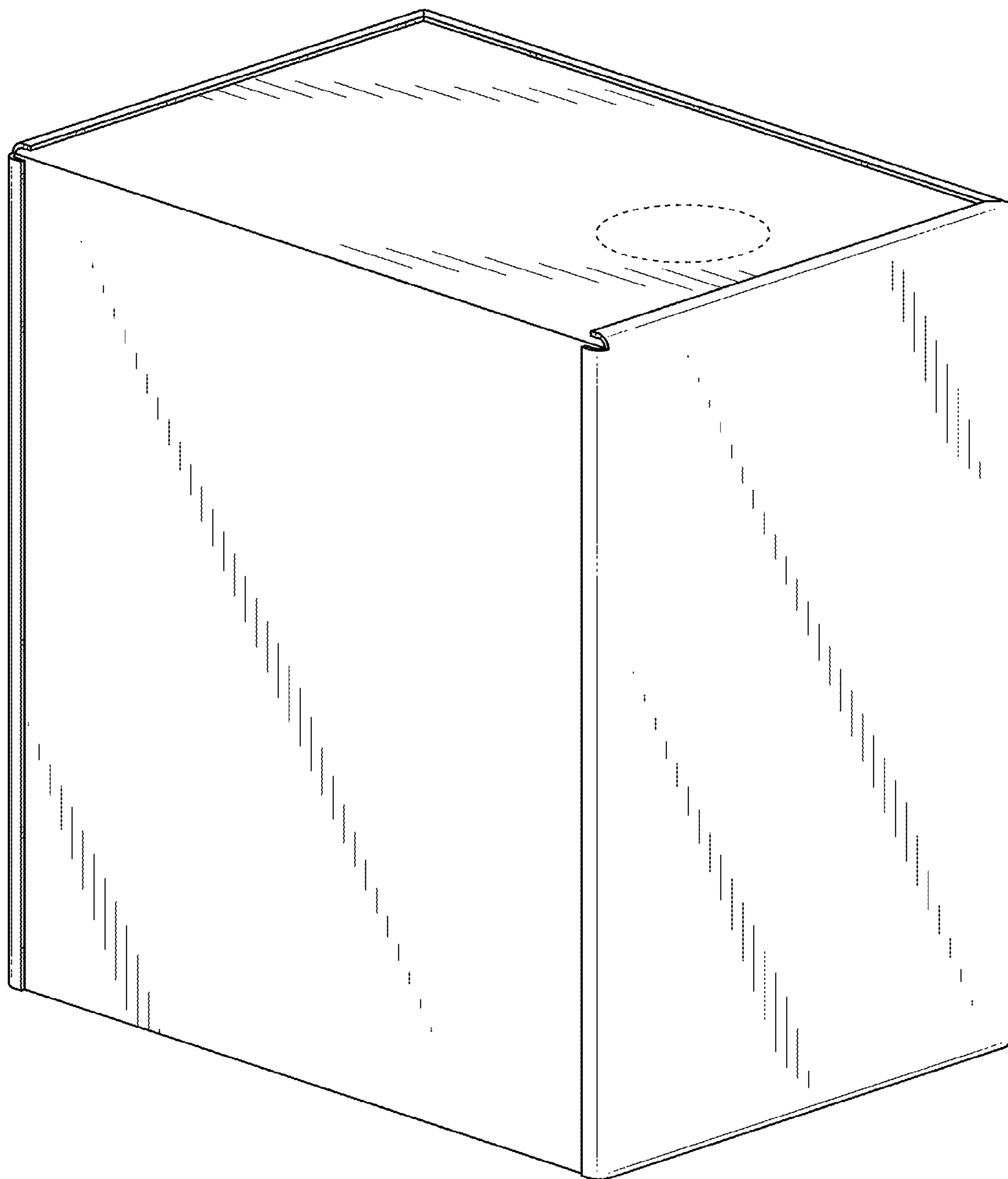
FIG. 1 is a front perspective view of a valve cabinet showing my new design;  
FIG. 2 is a rear perspective view of the valve cabinet seen in FIG. 1;  
FIG. 3 is a front view of the valve cabinet seen in FIG. 1;  
FIG. 4 is a rear view of the valve cabinet seen in FIG. 1;  
FIG. 5 is a right side view of the valve cabinet seen in FIG. 1;  
FIG. 6 is a left side view of the valve cabinet seen in FIG. 1;  
FIG. 7 is a top view of the valve cabinet seen in FIG. 1; and,  
FIG. 8 is a bottom view of the valve cabinet seen in FIG. 1.  
Broken lines in the figures are for illustrative purposes only and are not part of the claimed design. Shade lines having a combination of long and short lines in the figures show contour and not surface ornamentation.

**1 Claim, 7 Drawing Sheets**

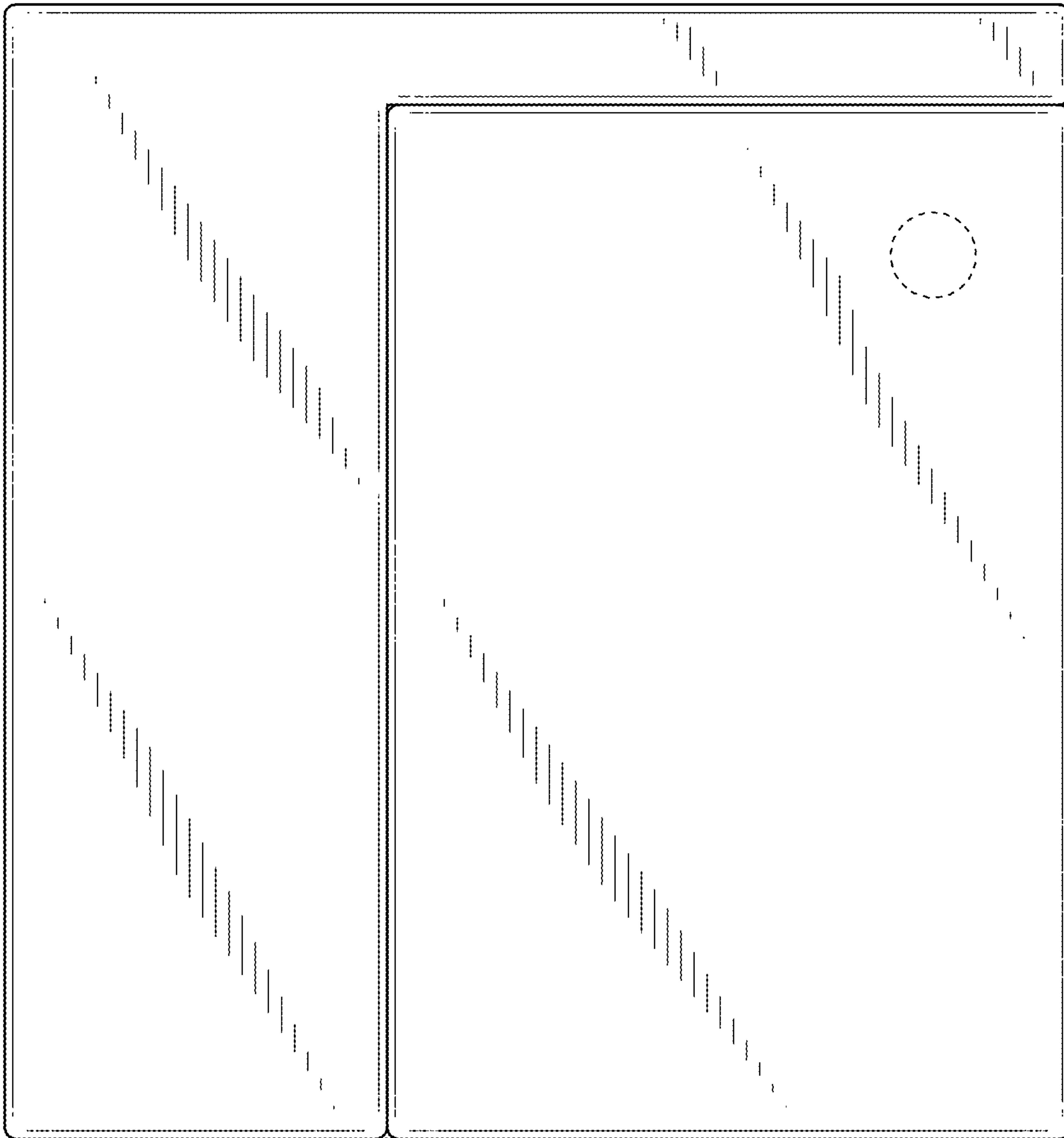




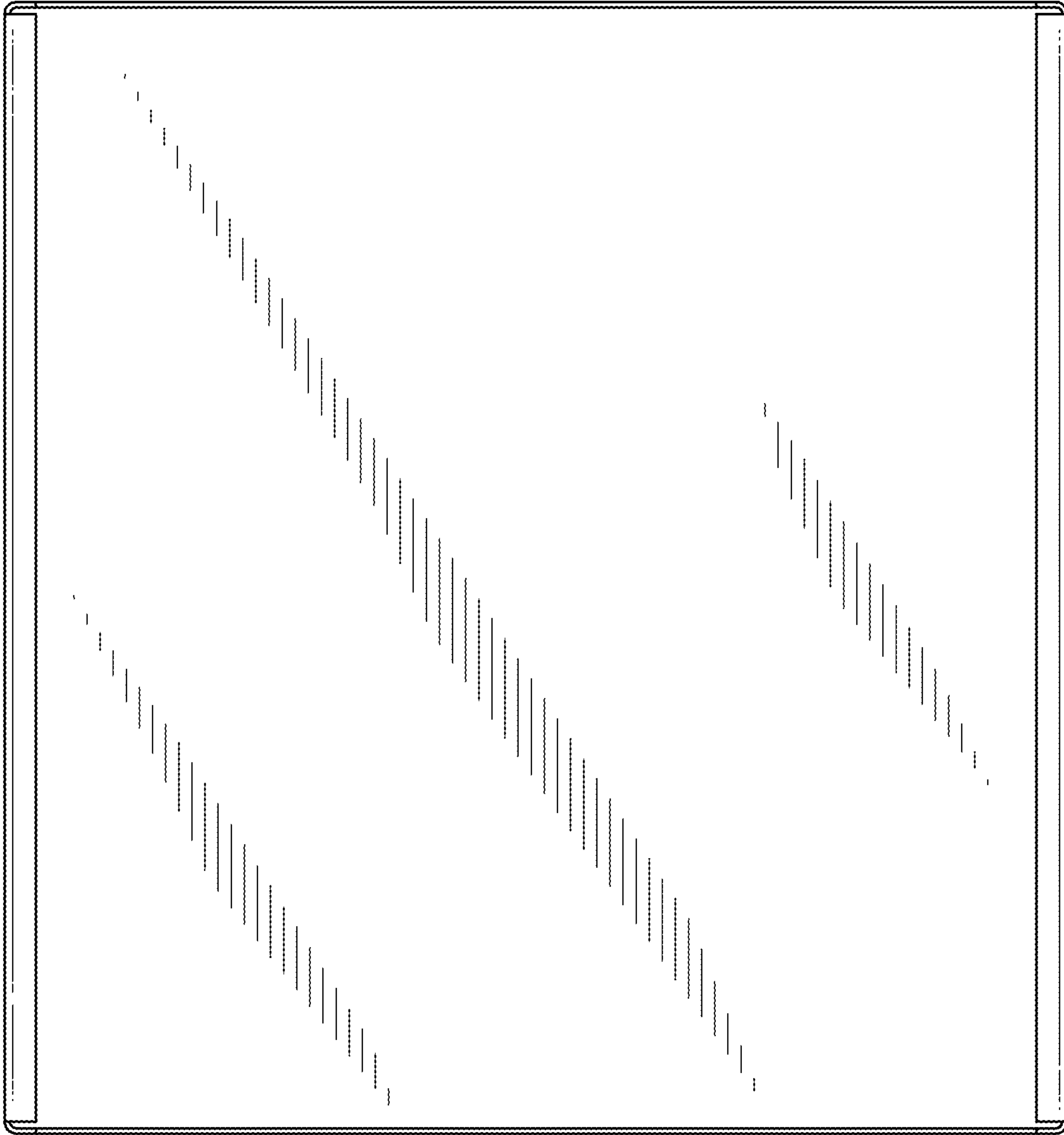
**FIG. 1**



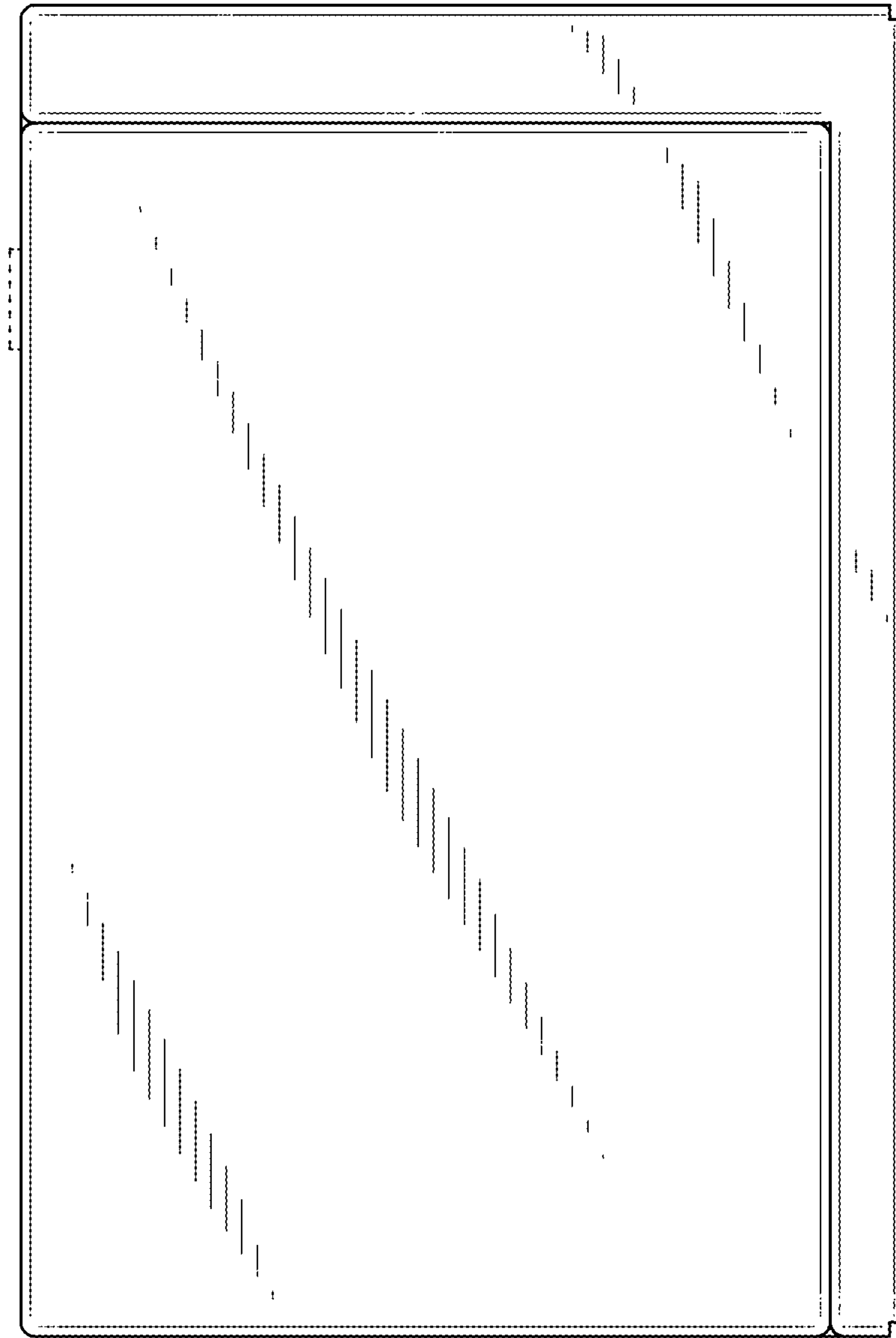
**FIG. 2**



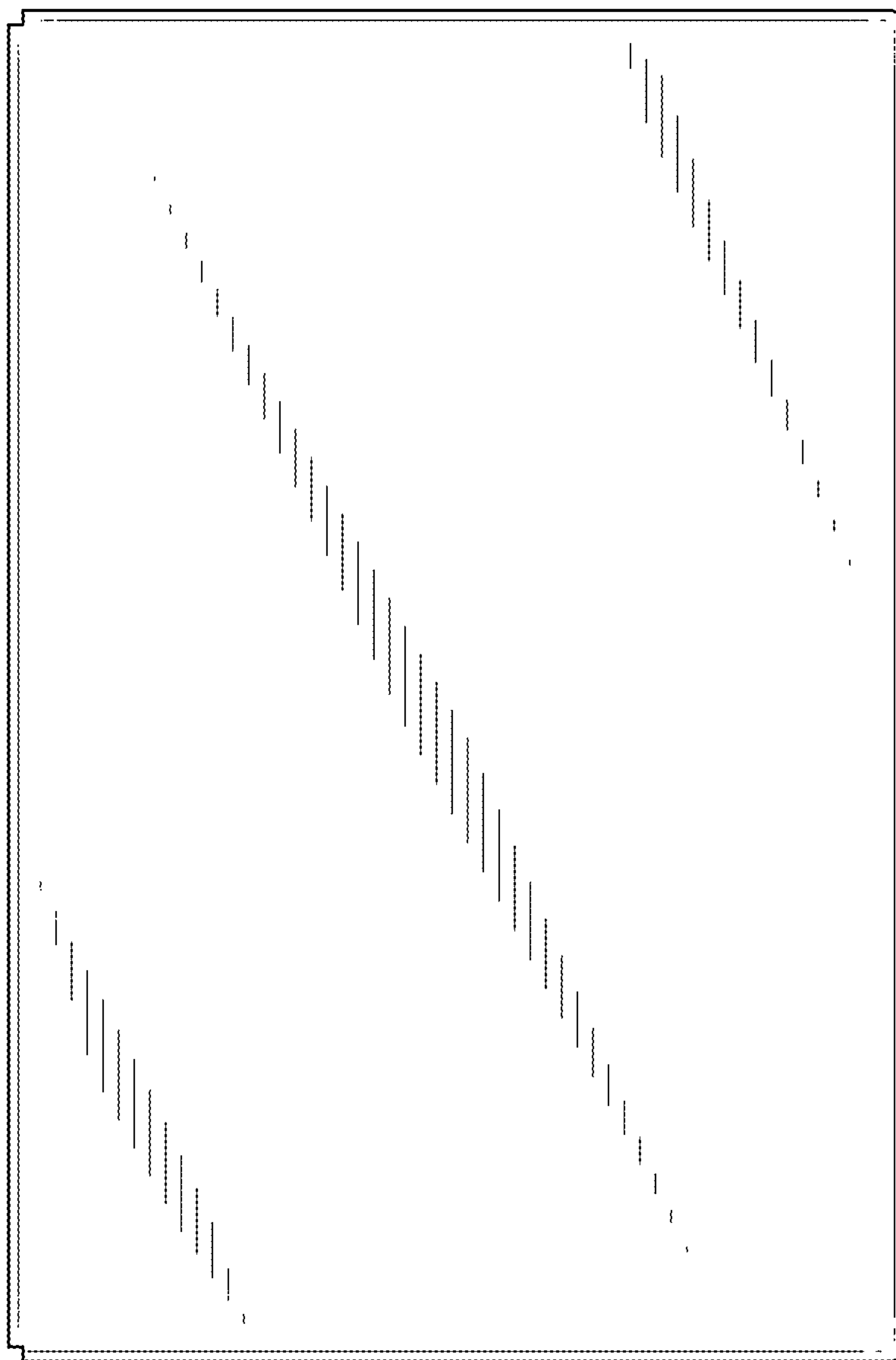
**FIG. 3**



**FIG. 4**

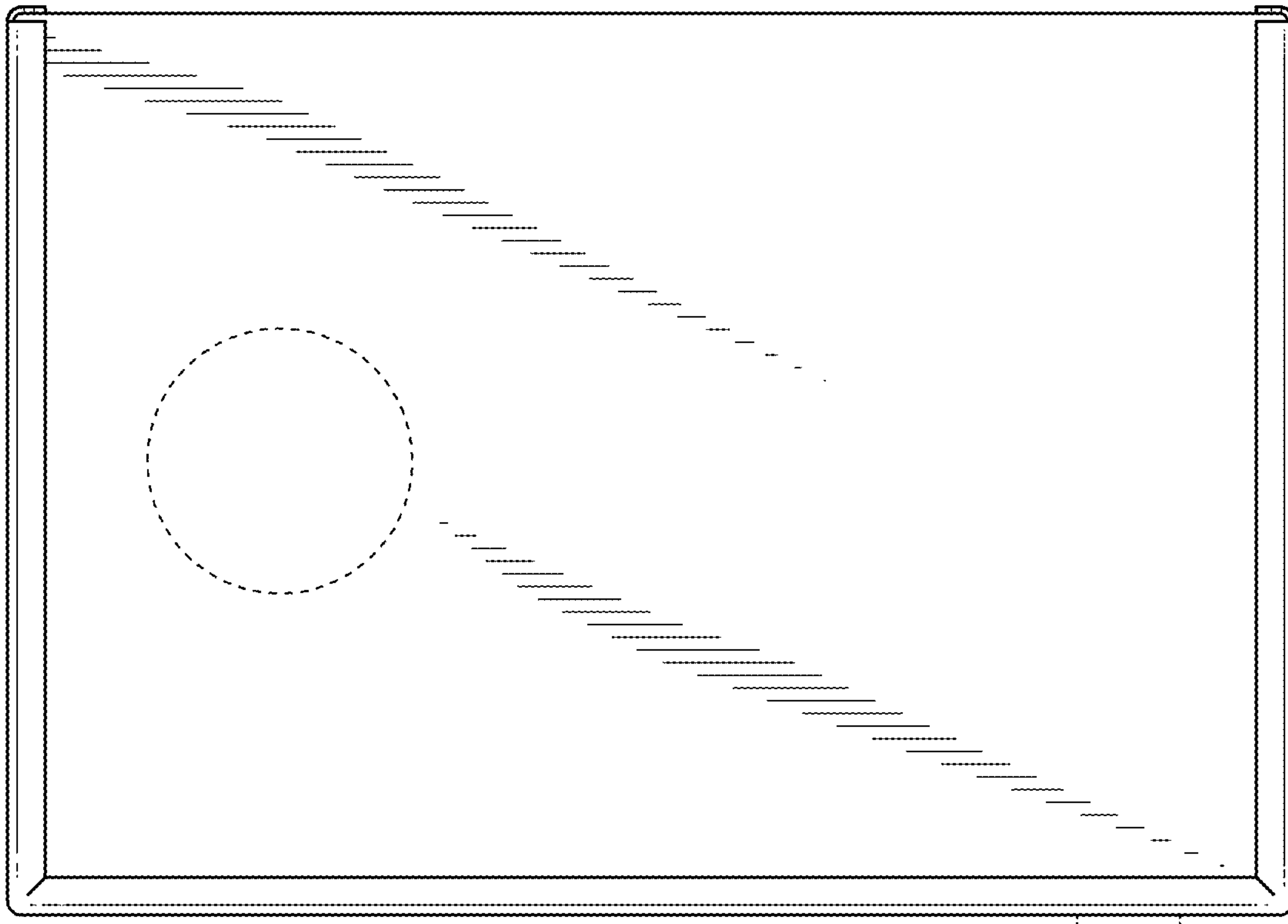


**FIG. 5**

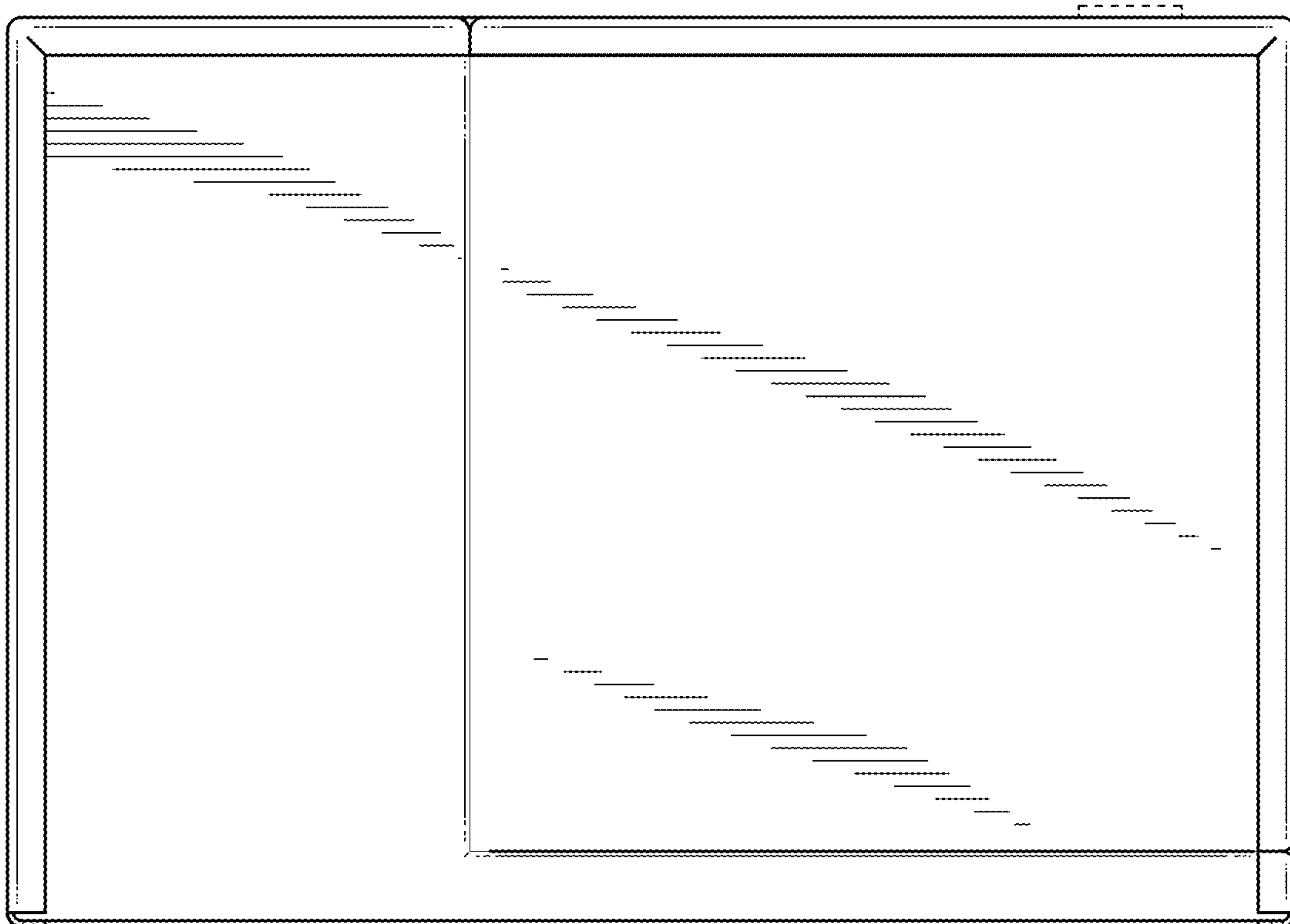


**FIG. 6**





**FIG. 7**



**FIG. 8**