



US00D924602S

(12) **United States Design Patent** (10) **Patent No.:** **US D924,602 S**
Wang et al. (45) **Date of Patent:** **** Jul. 13, 2021**

(54) **LIFT TABLE**
(71) Applicant: **Hangzhou Yue Fu Si Supply Chain Management Co., Ltd., Zhejiang (CN)**
(72) Inventors: **Shiming Wang, Zhejiang (CN); Zhiye Lu, Zhejiang (CN)**
(73) Assignee: **Hangzhou Yue Fu Si Supply Chain Management Co., Ltd, Zhejiang (CN)**

(**) Term: **15 Years**
(21) Appl. No.: **29/752,298**

(22) Filed: **Sep. 25, 2020**
(51) **LOC (13) Cl.** **06-03**
(52) **U.S. Cl.**
USPC **D6/656.17; D6/656.19**
(58) **Field of Classification Search**
USPC D6/641, 642, 656, 656.1, 656.13, 656.14, D6/656.16–656.19, 691
CPC A47B 7/00; A47B 13/00; A47B 13/02; A47B 13/04; A47B 13/06; A47B 13/08; A47B 13/10; A47B 13/12; A47B 9/00; A47B 9/20; A47B 17/00; A47B 17/003; A47B 17/006; A47B 17/06; A47B 21/00; A47B 21/0314; A47B 2021/0301; A47B 2021/0321; A47B 2021/0335; A47B 2021/0364; A47B 2200/0001; A47B 2200/0011; A47B 2200/0002; A47B 2200/0003; A47B 2200/0004; A47B 2200/002; A47B 2200/0027; A47B 2200/0029; A47B 2200/003; A47B 2200/005; A47B 2200/0051; A47B 2200/0054; A47B 2200/0056; A47B 2200/0057; A47B 2200/0059
See application file for complete search history.

(56) **References Cited**
U.S. PATENT DOCUMENTS

D299,798 S * 2/1989 Sottsas D6/656.16
D322,729 S * 12/1991 Diffrient D6/656.17

9,084,475 B2 * 7/2015 Hjelm H02J 3/005
D812,947 S 3/2018 Tseng
D829,023 S 9/2018 Gu
D877,544 S * 3/2020 Hu D6/656.16
D879,515 S * 3/2020 Goldberg D6/656.16
D880,200 S * 4/2020 Sokol D6/656.17
2017/0251806 A1 * 9/2017 Newman H01R 25/006
(Continued)

OTHER PUBLICATIONS

Maple Sit Stand Desk—SitStand.com—first review on Jun. 28, 2018 <https://sitstanddesk.com/e21e-electric-sitstanddesk-with-rectangular-hpl-maple-top.html?gclid=> retrieved from the internet on Nov. 26, 2019.*

(Continued)

Primary Examiner — Mary Ann Calabrese
(74) *Attorney, Agent, or Firm* — ScienBiziP, P.C.

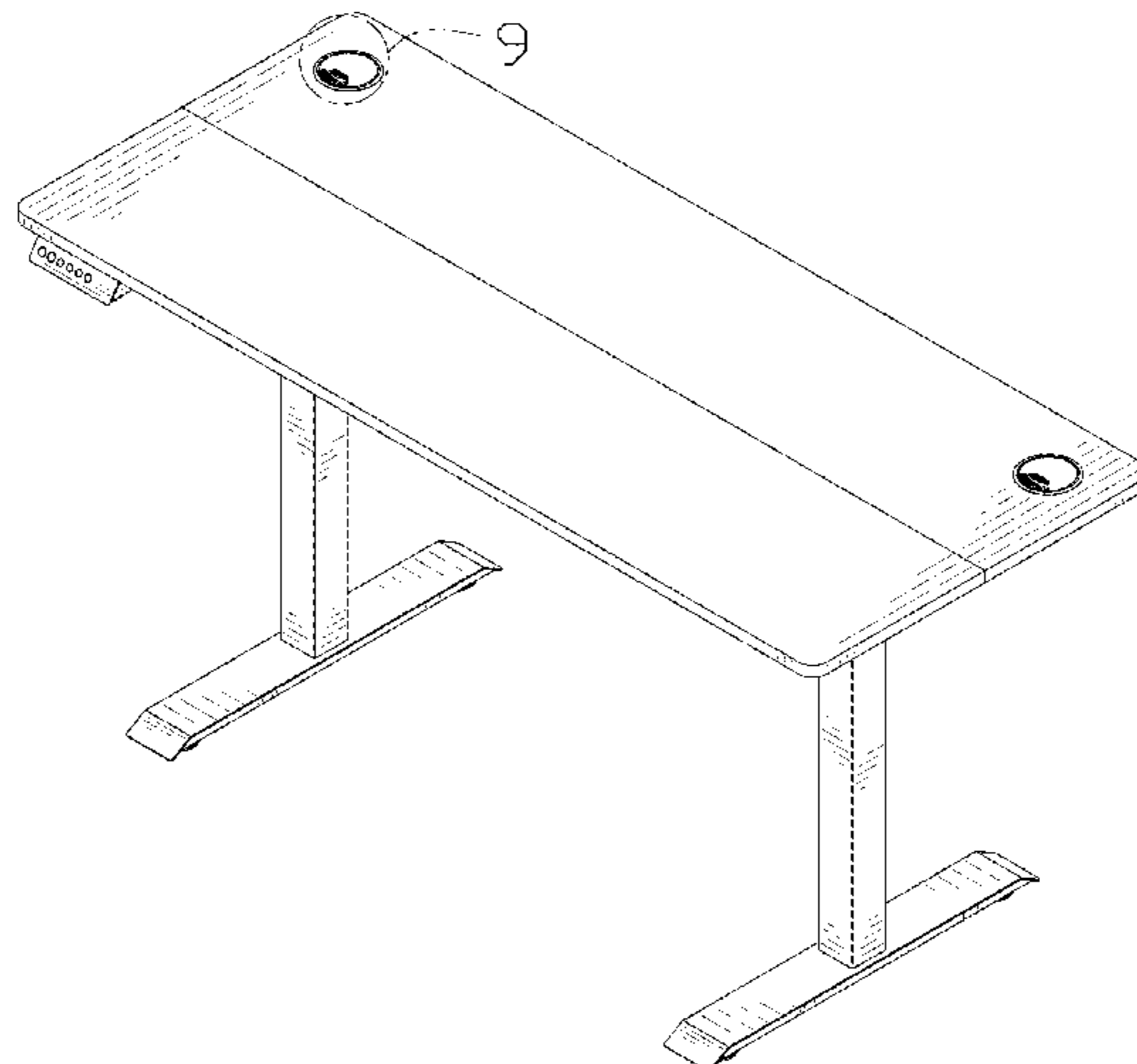
(57) **CLAIM**

The ornamental design for a lift table, as shown and described.

DESCRIPTION

FIG. 1 is a top perspective view of a lift table, showing our design.
FIG. 2 is a bottom perspective view thereof.
FIG. 3 is a front elevation view thereof.
FIG. 4 is a rear elevation view thereof.
FIG. 5 is a left side elevation thereof.
FIG. 6 is a right side elevation thereof.
FIG. 7 is a top plan view thereof.
FIG. 8 is a bottom plan view thereof.
FIG. 9 is an enlarged detail view of the encircled area labeled 9 in FIG. 1; and,
FIG. 10 is an enlarged detail view of the encircled area labeled 10 in FIG. 2.
The broken lines in the drawings show portions of the lift table that form no part of the claimed design.

1 Claim, 10 Drawing Sheets



(56)

References Cited

U.S. PATENT DOCUMENTS

2017/0290415 A1* 10/2017 Hsu A47B 13/081
2018/0177288 A1* 6/2018 Lin H02K 7/06
2018/0338608 A1* 11/2018 Keller A47B 9/20
2019/0298055 A1* 10/2019 Yamamoto A47B 9/20
2019/0328130 A1* 10/2019 Egger A47B 21/02
2020/0229588 A1* 7/2020 Chen A47B 9/12
2020/0288867 A1* 9/2020 Knapp E06B 9/42
2020/0337451 A1* 10/2020 Tao A47B 9/12
2020/0352320 A1* 11/2020 Jacobs A47B 21/02
2020/0359785 A1* 11/2020 Lu A47B 13/021

OTHER PUBLICATIONS

Ergonomic electric height adjustable office desk—Global Sources
<https://www.globalsources.com/gsol/1/Electric-standing/p/sm/1165681467.htm> retrieved from the internet on Nov. 26, 2019.*

* cited by examiner

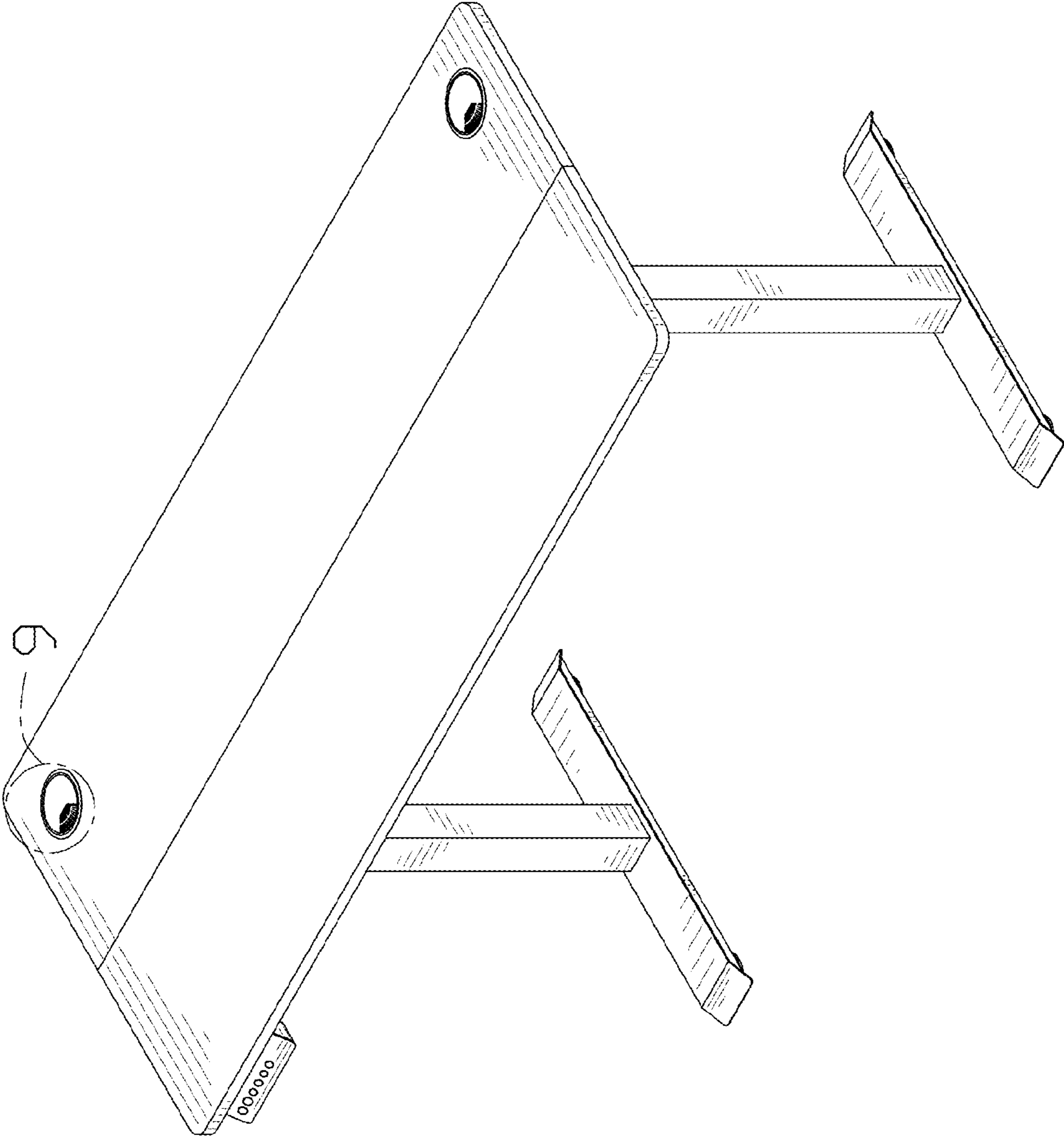


FIG. 1

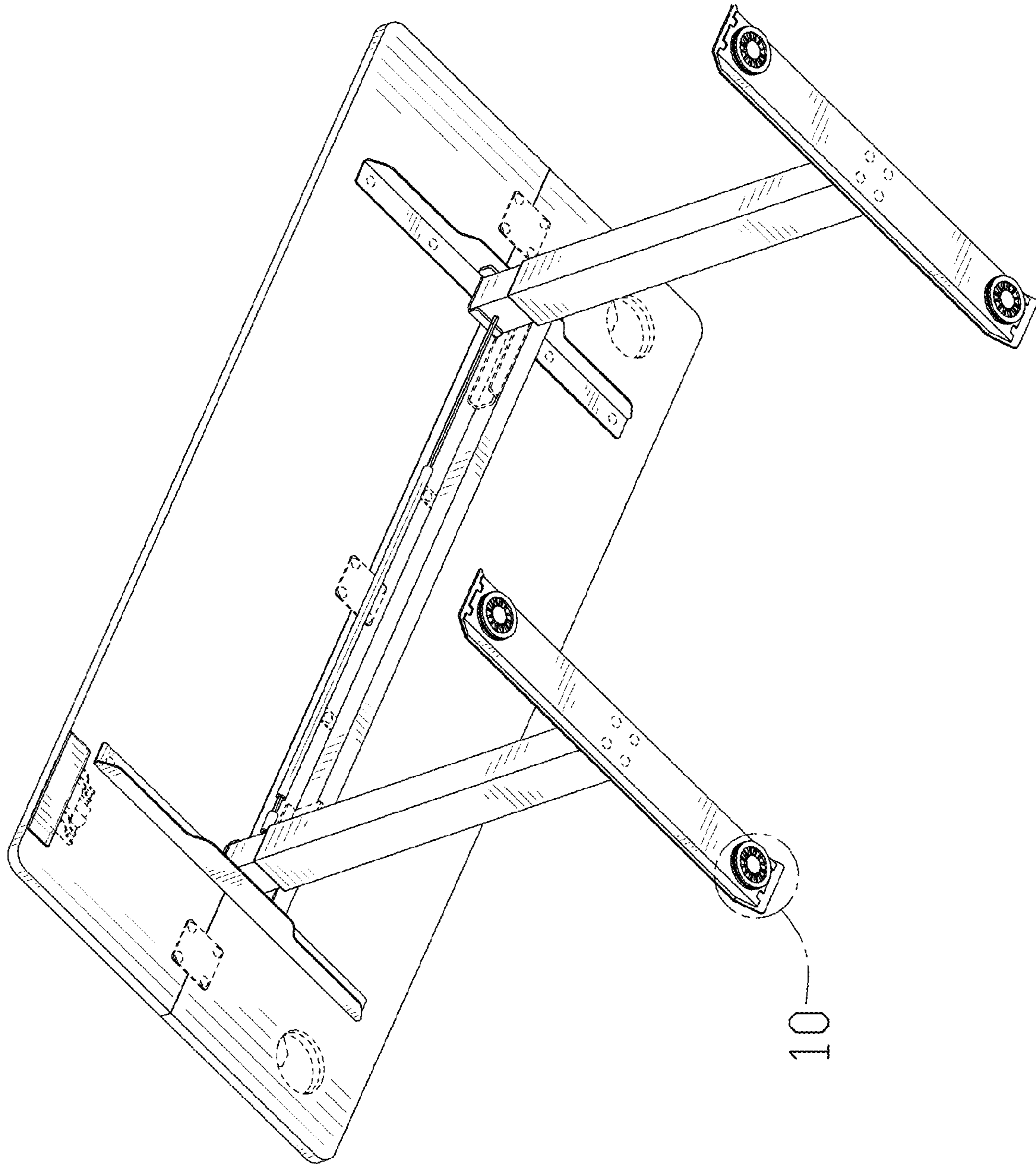


FIG. 2

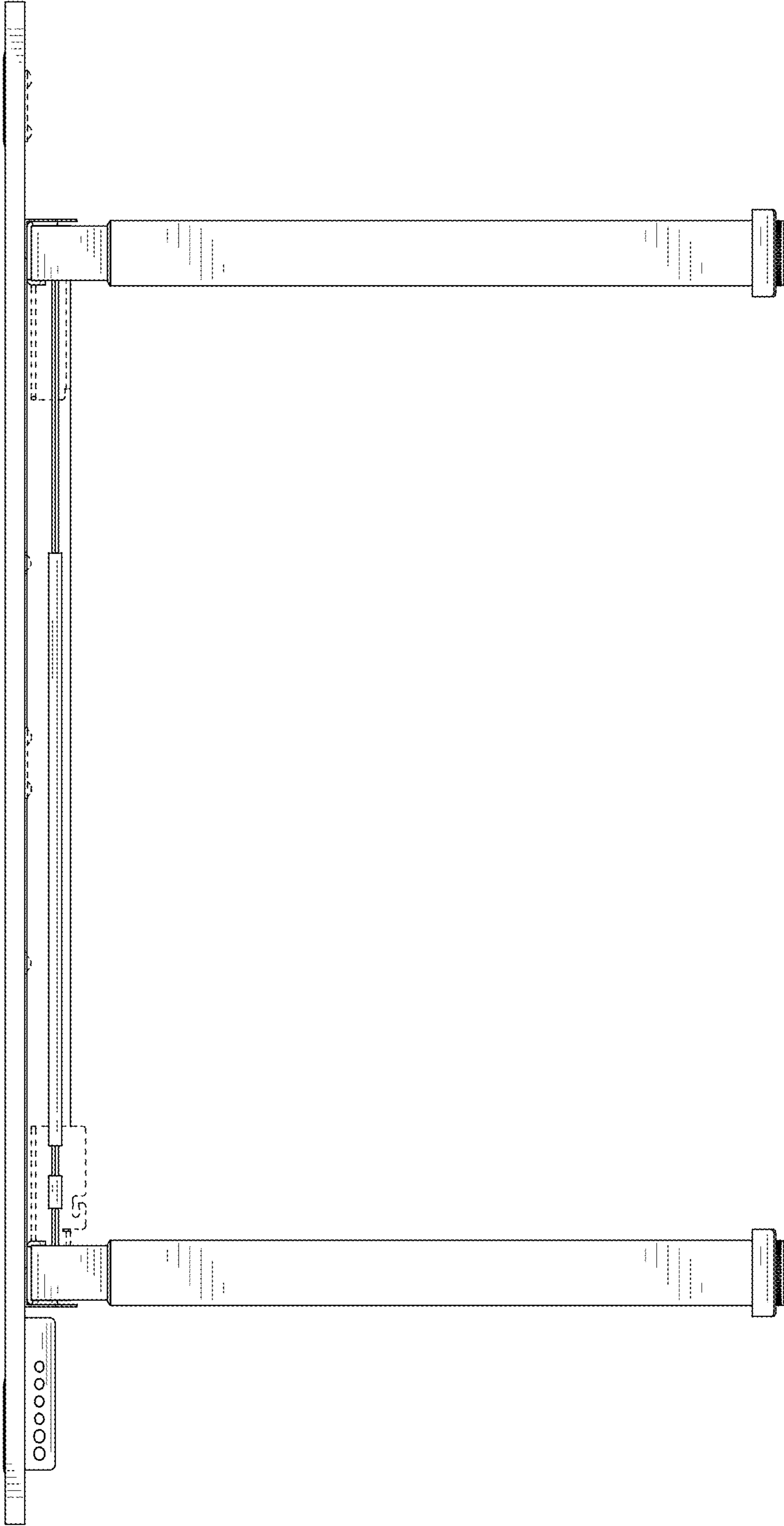


FIG. 3

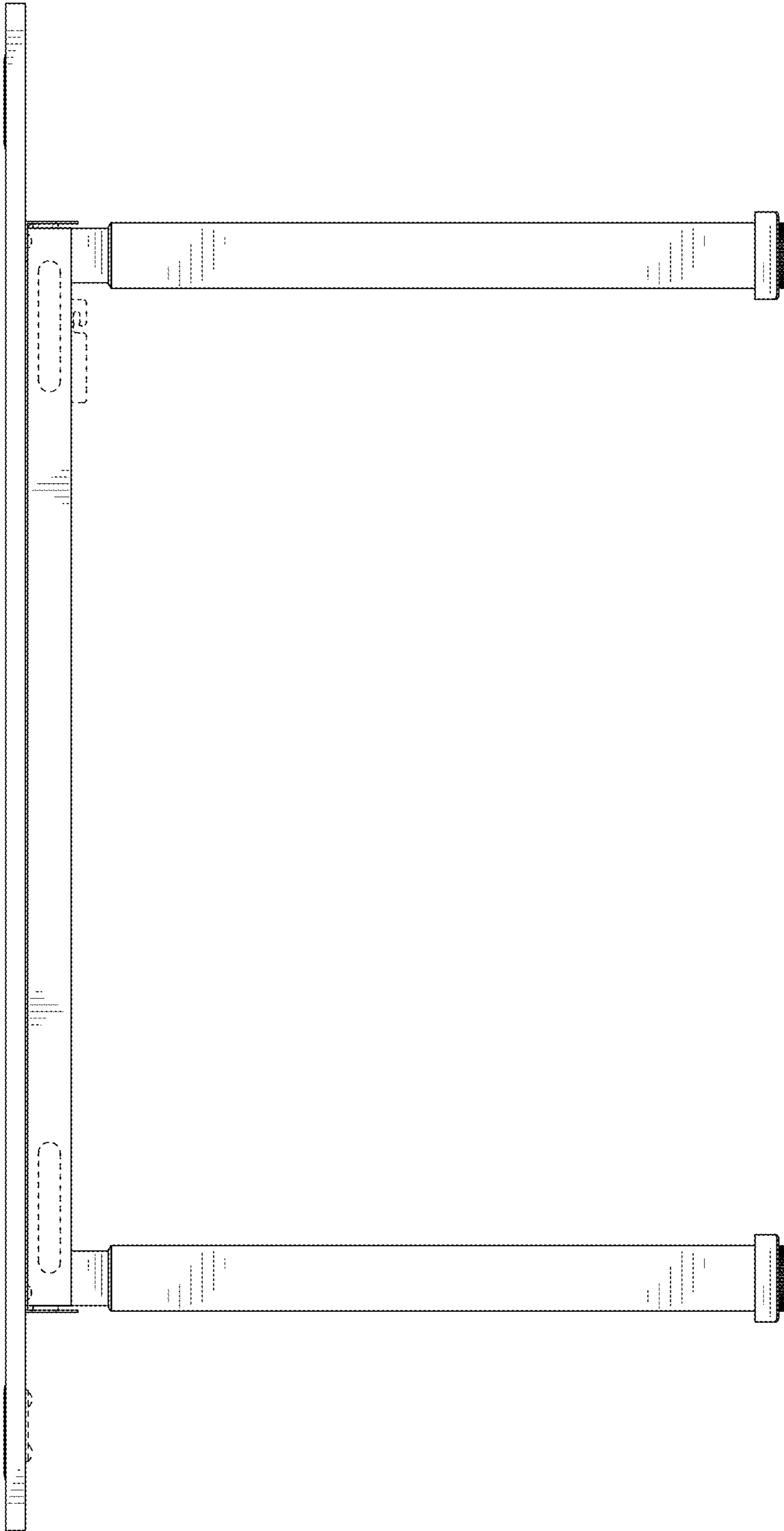


FIG. 4

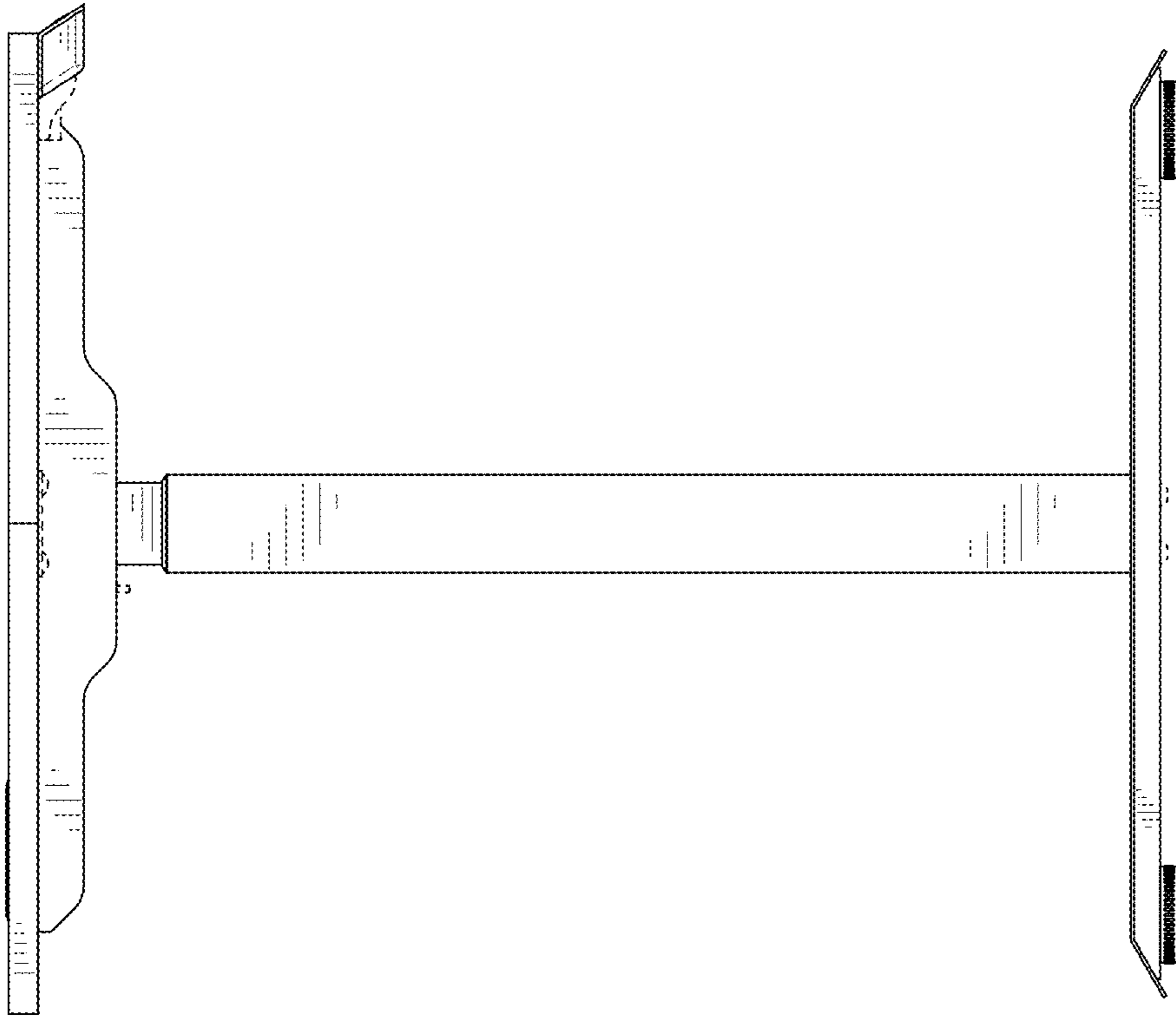


FIG. 5

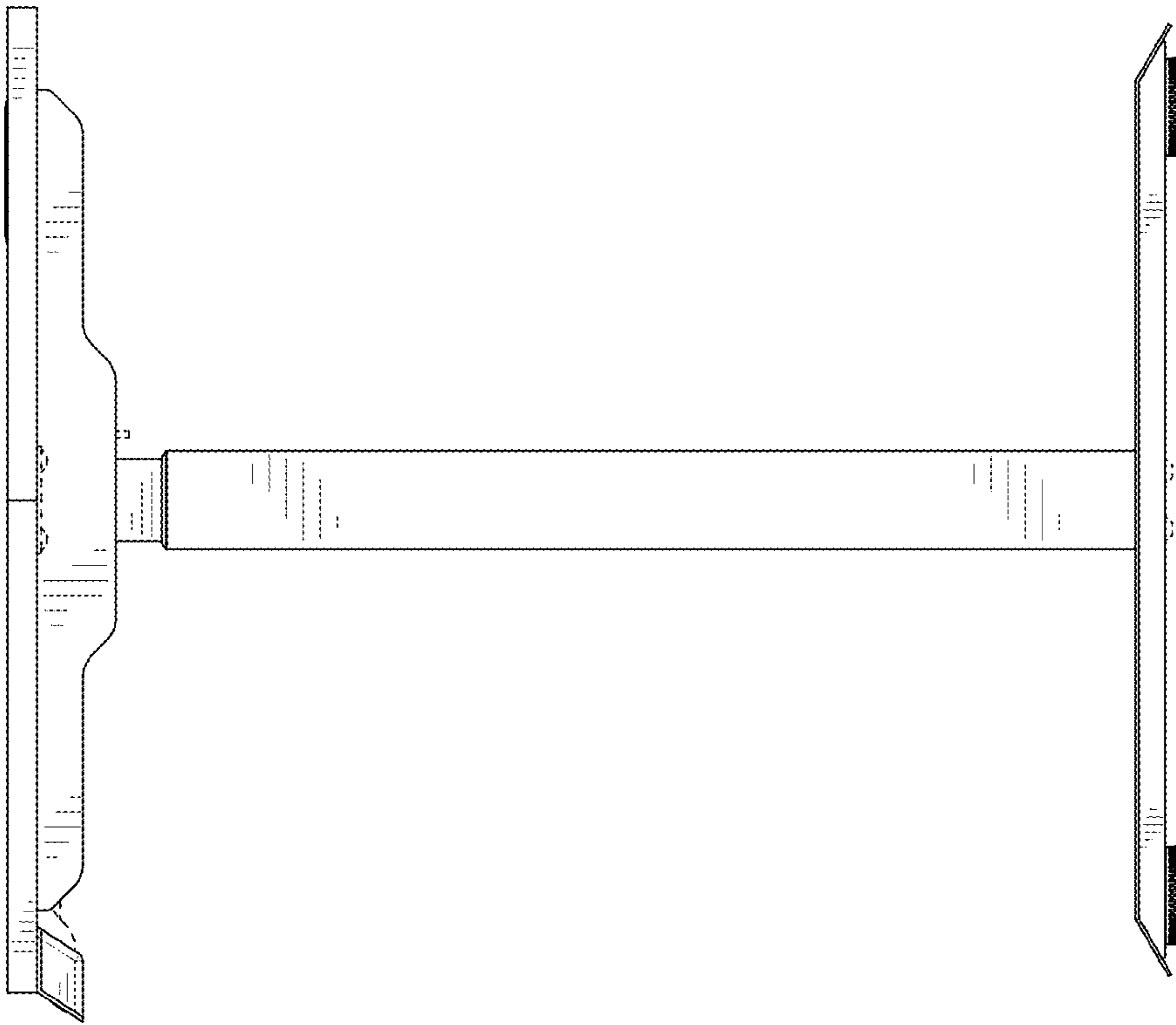


FIG. 6

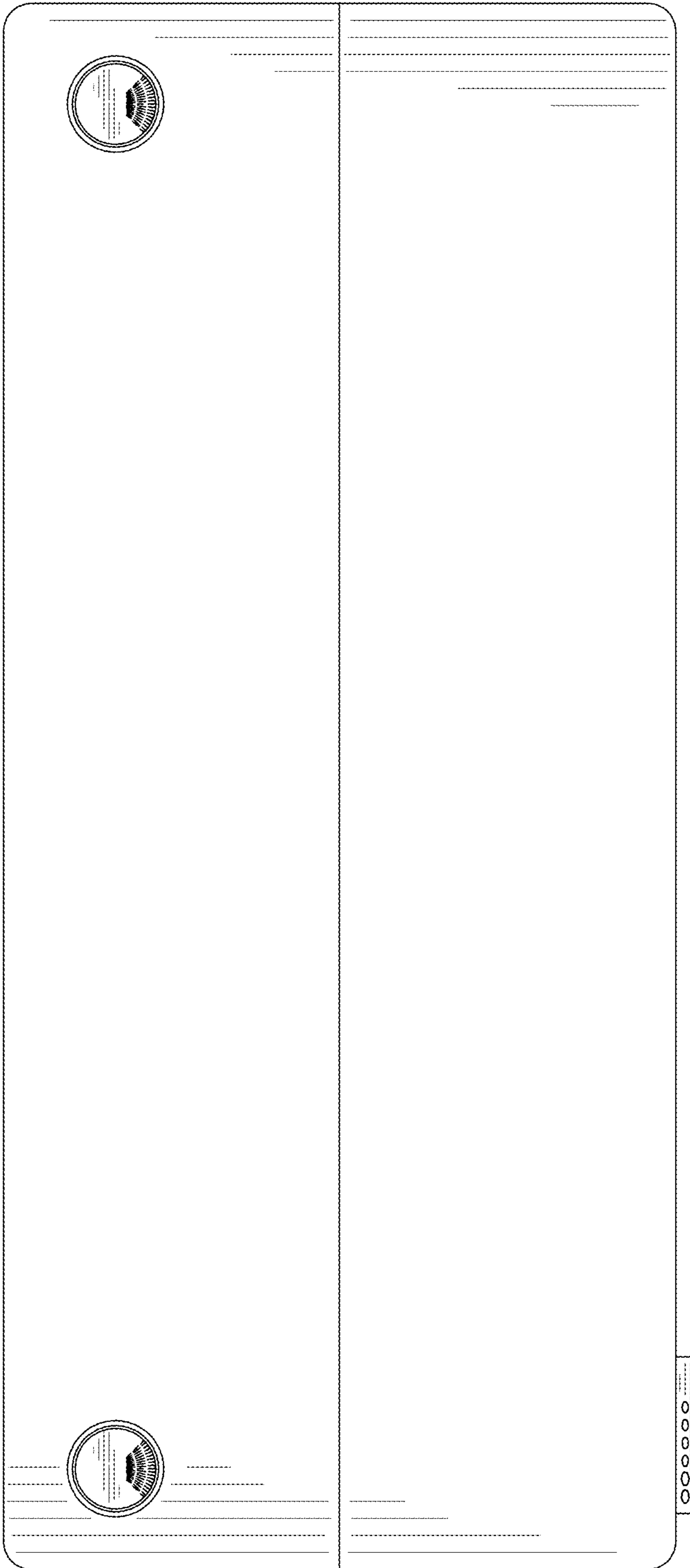


FIG. 7

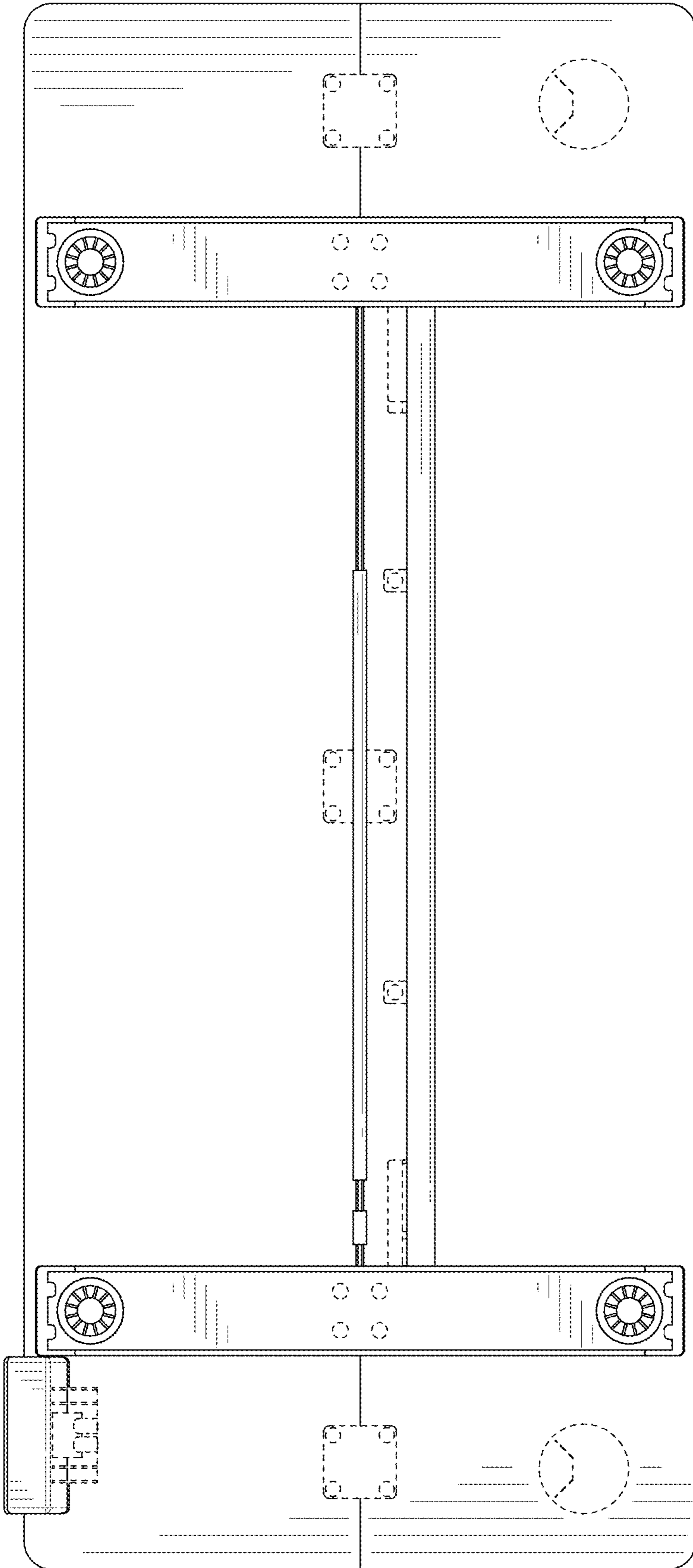


FIG. 8

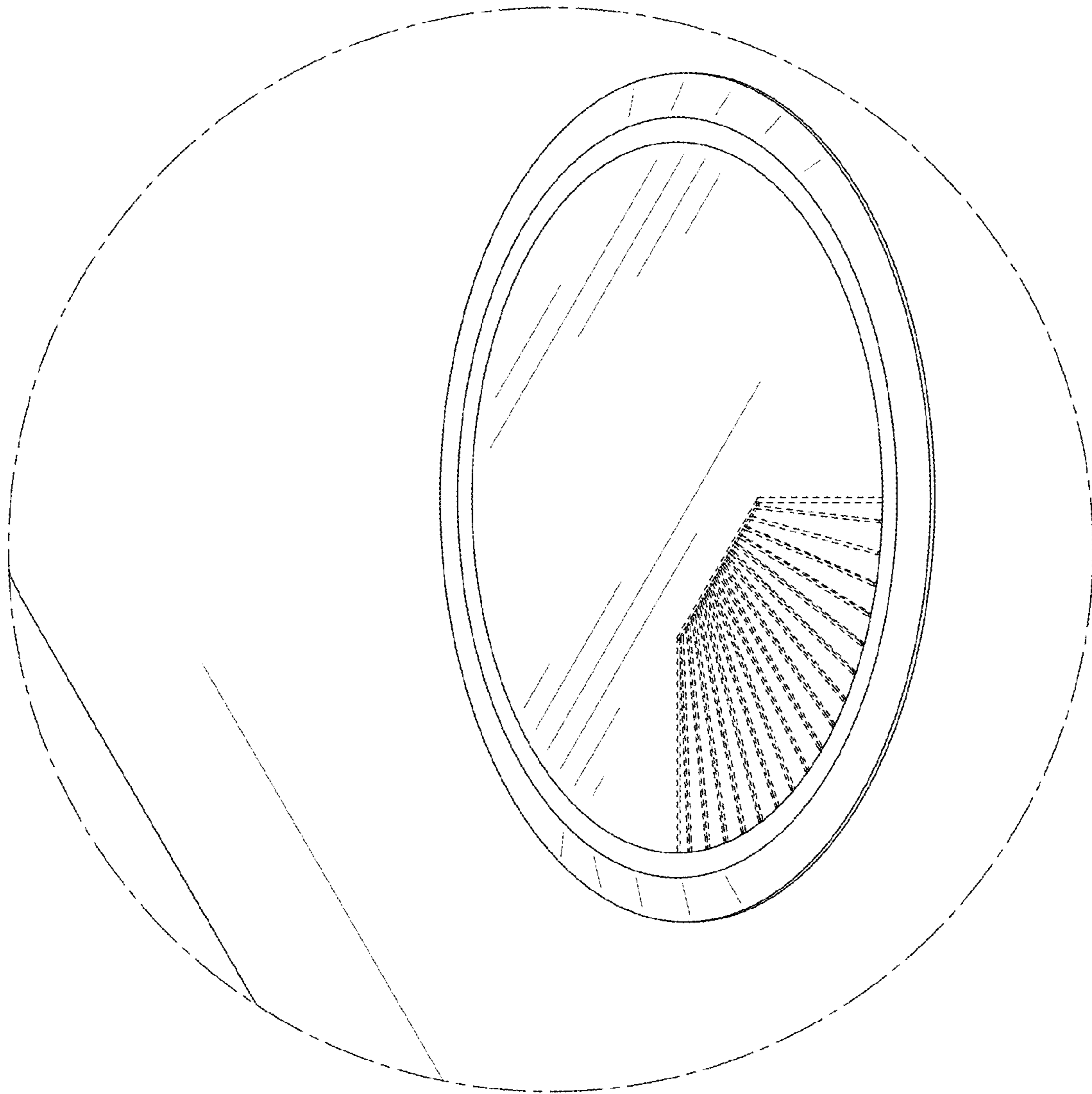


FIG. 9

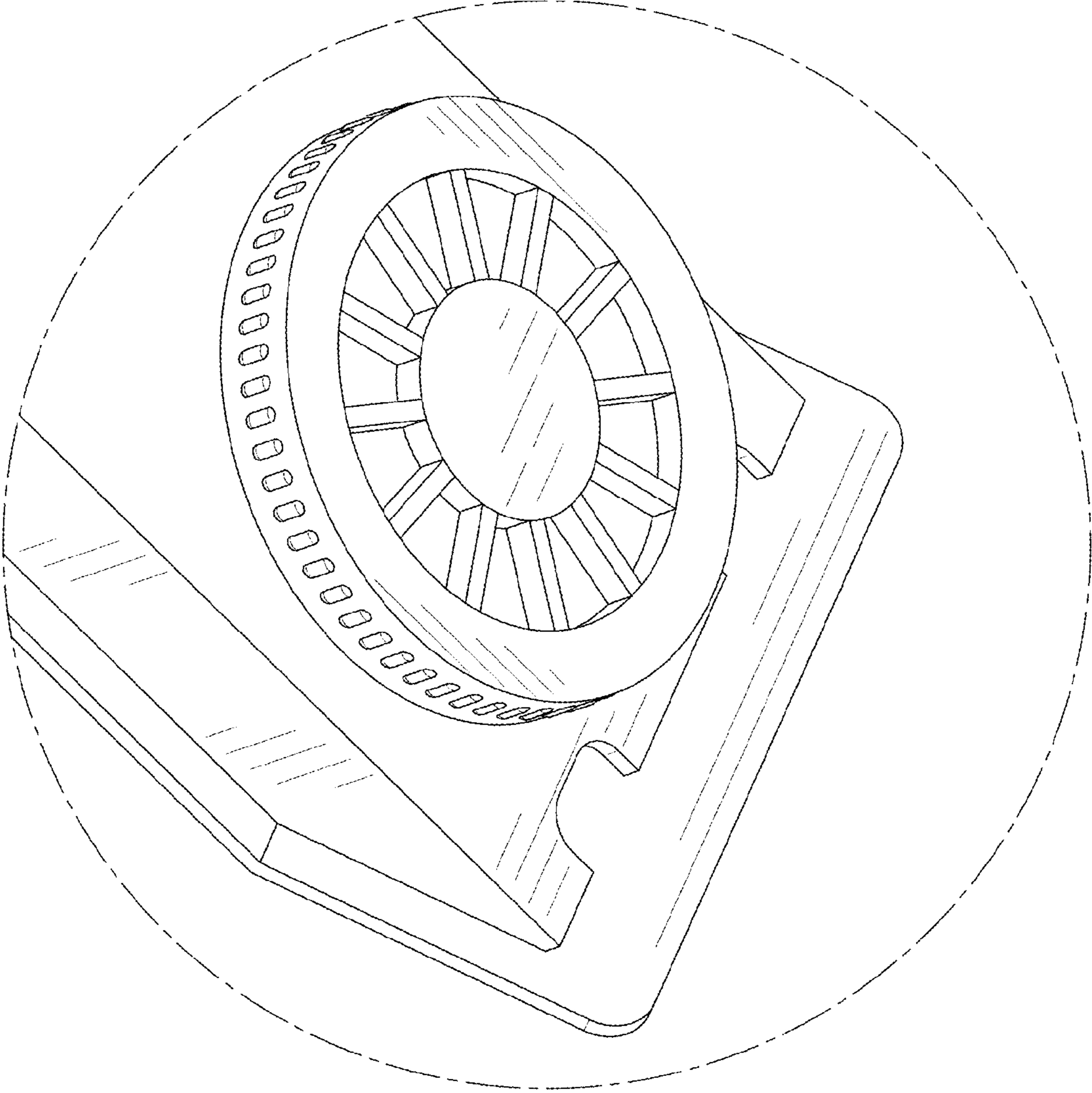


FIG. 10