



US00D924601S

(12) **United States Design Patent**
Lian

(10) **Patent No.:** **US D924,601 S**

(45) **Date of Patent:** **** Jul. 13, 2021**

(54) **SEAT CUSHION**

(71) Applicant: **Shunling Lian**, Shenzhen (CN)

(72) Inventor: **Shunling Lian**, Shenzhen (CN)

(**) Term: **15 Years**

(21) Appl. No.: **29/775,494**

(22) Filed: **Mar. 23, 2021**

(51) **LOC (13) Cl.** **06-09**

(52) **U.S. Cl.**
USPC **D6/601**

(58) **Field of Classification Search**

USPC D6/333, 334, 335, 355, 356, 374, 716,
D6/716.1, 595, 596, 601, 602, 603, 606,
D6/607; 5/490, 491, 493, 494, 489;
D24/183-185, 191; 297/1, 93, 180.1,
297/180.11, 195.12, 195.13, 199, 218.2,
297/452.1, 452, 452.17, 452.29, 452.32,
297/452.35, 452.42, 452.43, 452.46,
297/452.47, 452.48, 488

CPC A47G 9/10; A47G 9/1045; A47G 9/0253;
A47G 2009/1018; A47G 9/1027; A47G
9/1036; A47G 9/1054; A47G 9/1063;
A47G 9/1072; A47G 9/1081; A47G
9/109; A47G 2009/003; A47C 23/00;
A47C 27/00; A47C 27/007; A47C 20/00;
A47C 7/18; A47C 21/06

See application file for complete search history.

(56) **References Cited**

U.S. PATENT DOCUMENTS

2,565,597 A * 8/1951 Mier, Sr. B60N 2/707
297/452.43
2,750,996 A * 6/1956 Cramer A47C 7/185
267/145
D183,233 S * 7/1958 Ahrens D6/356
2,931,427 A * 4/1960 Goldstein B60N 2/5635
297/452.43
3,331,089 A * 7/1967 Ornas, Jr A47C 7/185
297/452.47

4,132,228 A * 1/1979 Green A47C 7/021
601/57
4,320,543 A * 3/1982 Dixon A47G 9/1081
5/636
D327,389 S * 6/1992 Flores D6/601
5,163,737 A * 11/1992 Navach A47C 7/029
297/452.25

(Continued)

FOREIGN PATENT DOCUMENTS

CN 306326003 * 2/2021
CN 306397710 * 3/2021

(Continued)

OTHER PUBLICATIONS

Google search: "seat pad" [site visited May 22, 2021]: https://www.google.com/search?q=seat+pad&sxsrf=ALeKk00hiA_TVfViue9LvaDssHXVI0JEAQ:1621737017400&source=lnms&tbm=isch&sa=X&ved=2ahUKewjj7dyW4d7wAhV-F1kFHTtRBZ4Q_AUoAnoECAEQBA&biw=1200&bih=1777 (Year: 2021).*

(Continued)

Primary Examiner — Sanjeev Paul

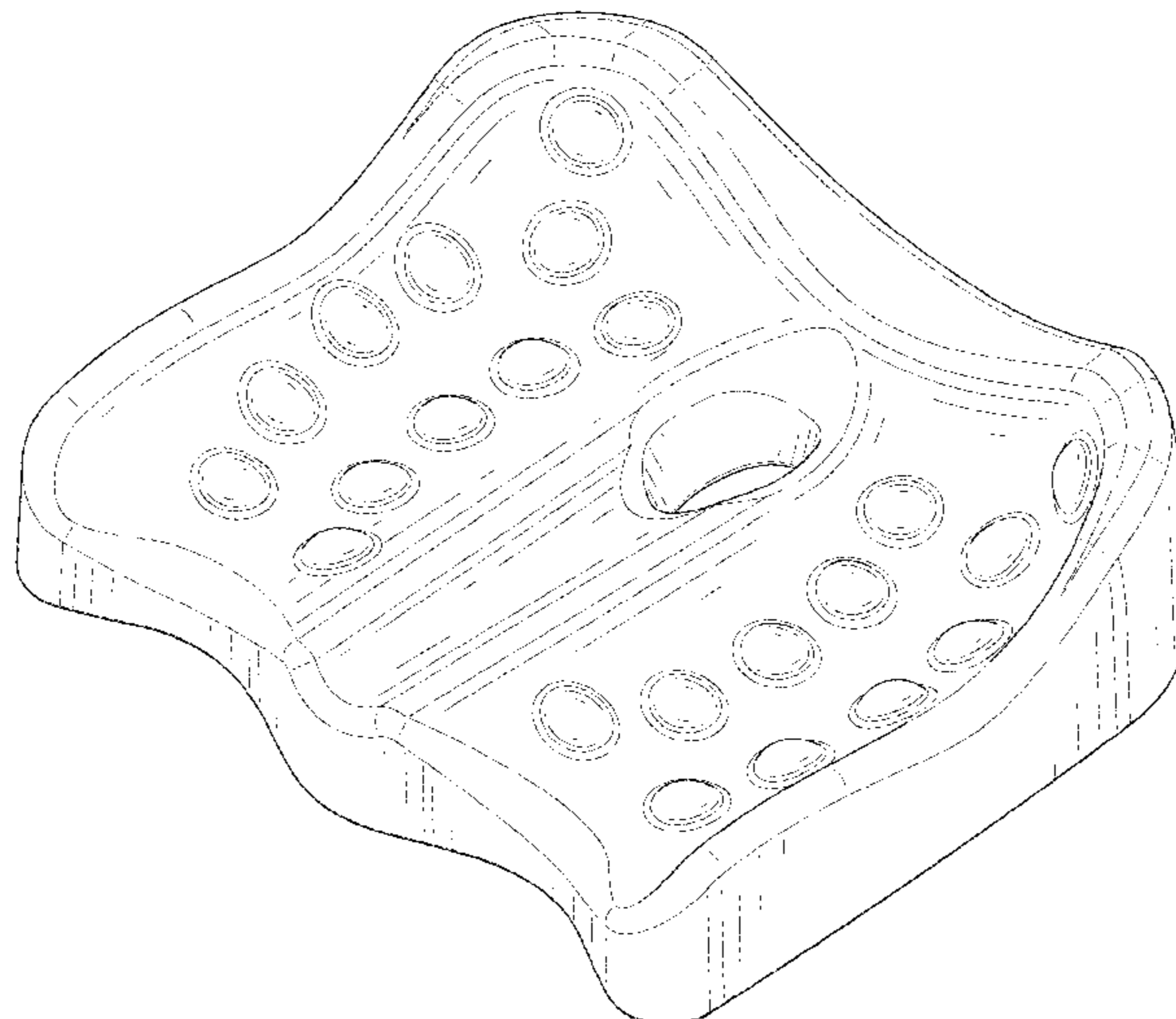
(57) **CLAIM**

The ornamental design for a seat cushion, as shown and described.

DESCRIPTION

FIG. 1 is a perspective view of a seat cushion showing my new design;
FIG. 2 is another perspective view thereof;
FIG. 3 is a front elevational view thereof;
FIG. 4 is a rear elevational view thereof;
FIG. 5 is a left side elevational view thereof;
FIG. 6 is a right side elevational view thereof;
FIG. 7 is a top plan view thereof; and,
FIG. 8 is a bottom plan view thereof.

1 Claim, 8 Drawing Sheets



(56)

References Cited

U.S. PATENT DOCUMENTS

5,226,188 A * 7/1993 Liou A47C 7/742
 297/452.46
 5,294,181 A * 3/1994 Rose A47C 7/021
 297/452.25
 5,402,545 A * 4/1995 Jolley A61G 5/1043
 5/653
 D386,036 S * 11/1997 Laidlaw D6/601
 6,687,933 B2 * 2/2004 Habboub B60N 2/242
 297/452.42
 7,207,627 B2 * 4/2007 Jerome A47C 31/02
 297/219.1
 7,216,388 B2 * 5/2007 Bieganek A61G 5/1043
 5/653
 7,225,486 B2 * 6/2007 Jackson, III A47G 9/1027
 5/653
 8,011,041 B2 * 9/2011 Hann A61B 5/447
 5/652.1
 D647,738 S * 11/2011 Chen D6/716
 D658,921 S * 5/2012 Prendergast D6/604
 8,359,686 B2 * 1/2013 Hunter A47G 9/109
 5/638
 D677,506 S * 3/2013 Lai D6/601
 D698,586 S * 2/2014 Davis D6/601
 8,806,686 B2 * 8/2014 Kawasaki B60N 2/7017
 5/652.1
 D715,567 S * 10/2014 Lensing D6/349
 D722,449 S * 2/2015 Krishtul
 D731,816 S * 6/2015 Edgemon D6/601
 D734,959 S * 7/2015 Pong D6/601
 9,332,850 B2 * 5/2016 Krishtul A47C 7/021
 9,635,897 B2 * 5/2017 Prust A43B 13/38
 9,763,522 B2 * 9/2017 Siekman A47C 7/029
 D799,234 S * 10/2017 Mao D6/380
 D805,323 S * 12/2017 Chan D6/601
 D821,103 S * 6/2018 Delaney D5/60
 D836,363 S * 12/2018 Cornelius D6/601
 D843,134 S 3/2019 Goddard
 D871,108 S * 12/2019 Yang D6/601
 D875,435 S * 2/2020 Vertuca, III D6/601
 D878,108 S * 3/2020 Wang D6/601
 D885,793 S * 6/2020 Wang D6/601
 D889,166 S * 7/2020 Vertuca, III D6/601

D898,425 S * 10/2020 Yang D6/601
 D898,439 S * 10/2020 Luo D6/601
 D898,447 S * 10/2020 Xu D6/601
 D899,142 S * 10/2020 Federl D6/601
 D907,400 S * 1/2021 Federl D6/601
 D915,104 S * 4/2021 Yang D6/601
 D919,331 S * 5/2021 Feng D6/601
 2007/0294831 A1 * 12/2007 Siekman A61G 5/1043
 5/653
 2010/0117433 A1 * 5/2010 Cassaday A47C 7/40
 297/452.46
 2010/0314929 A1 * 12/2010 Hsu A47C 27/15
 297/452.48
 2011/0094033 A1 * 4/2011 Lee B29C 44/1271
 5/636
 2012/0256466 A1 * 10/2012 Lievestro B29C 44/1266
 297/452.18
 2013/0257132 A1 * 10/2013 Chen A47C 7/021
 297/452.21
 2017/0065085 A1 * 3/2017 Chan A47C 7/18
 2019/0183249 A1 * 6/2019 Oomen A47C 7/74

FOREIGN PATENT DOCUMENTS

CN 306437686 * 4/2021
 CN 306456800 * 4/2021
 CN 306527495 * 5/2021
 CN 306527496 * 5/2021
 KR 301105716.0000 * 4/2021

OTHER PUBLICATIONS

Google search: "seat cushion" [site visited May 22, 2021]: https://www.google.com/search?q=seat+cushion&sxsr=ALeKk03T9obV5Veiqy92z4QJmQWQE8N2kw:1621737230341&source=lnms&tbm=isch&sa=X&ved=2ahUKEwjwhaH84d7wAhVZFFkFHQ-IAVEQ_AUoAnoECAEQBA&biw=1200&bih=1777 (Year: 2021).
 Valleycomfy Thicken Seat Cushion, earliest pictured Mar. 29, 2021, [online], [site visited May 22, 2021]. Available from Internet, <URL: https://www.amazon.com/Valleycomfy-Thicken-Seat-Cushion-Comfortable/dp/B08L34J2DC/ref=sr_1_86?crid=24A8181RHMDJX&dchild=1&keywords=seat+cushion&qid=1621740081&srefix=seat+cush%2Caps%2C258&sr=8-86> (Year: 2021).*

* cited by examiner

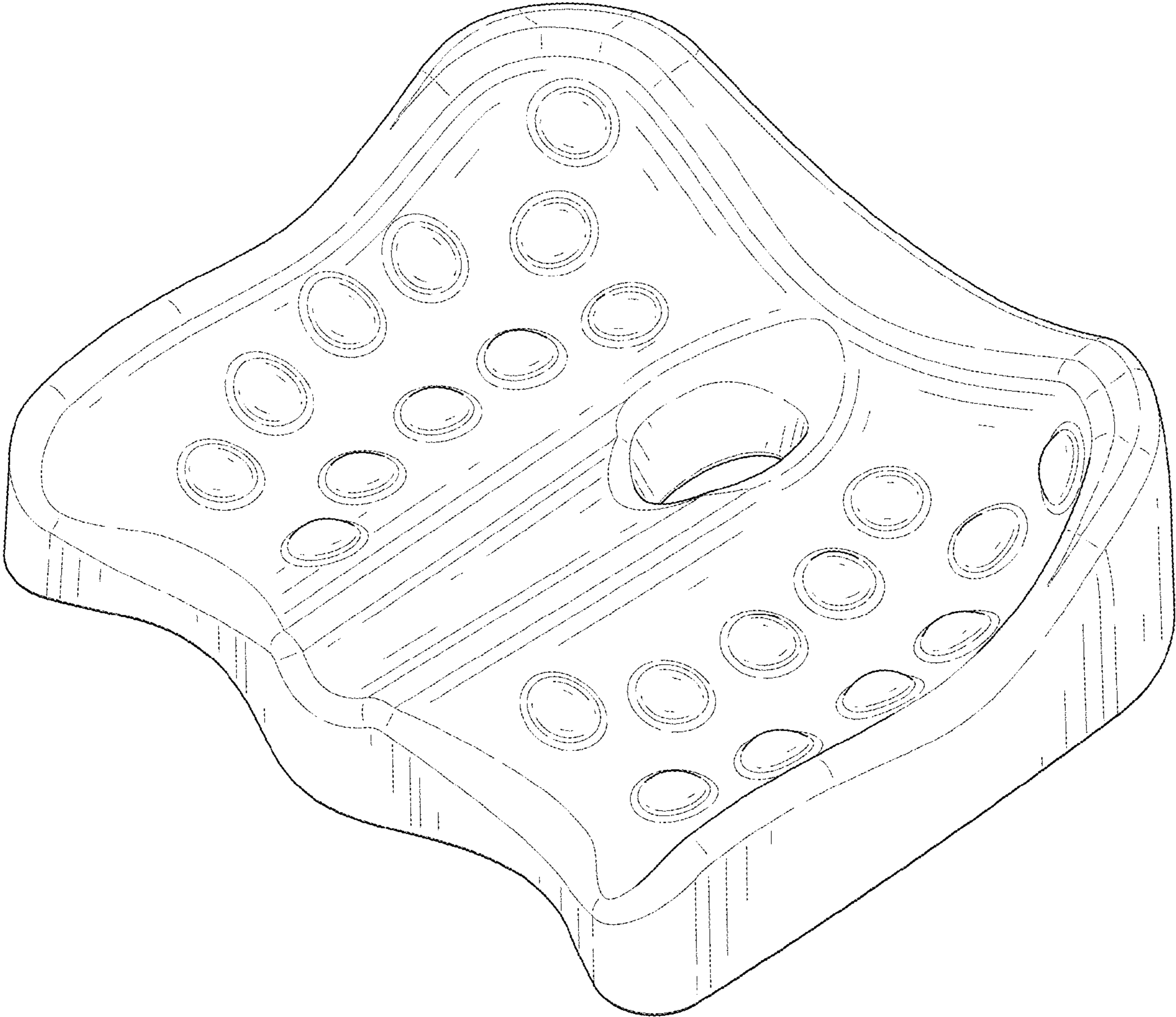


FIG. 1

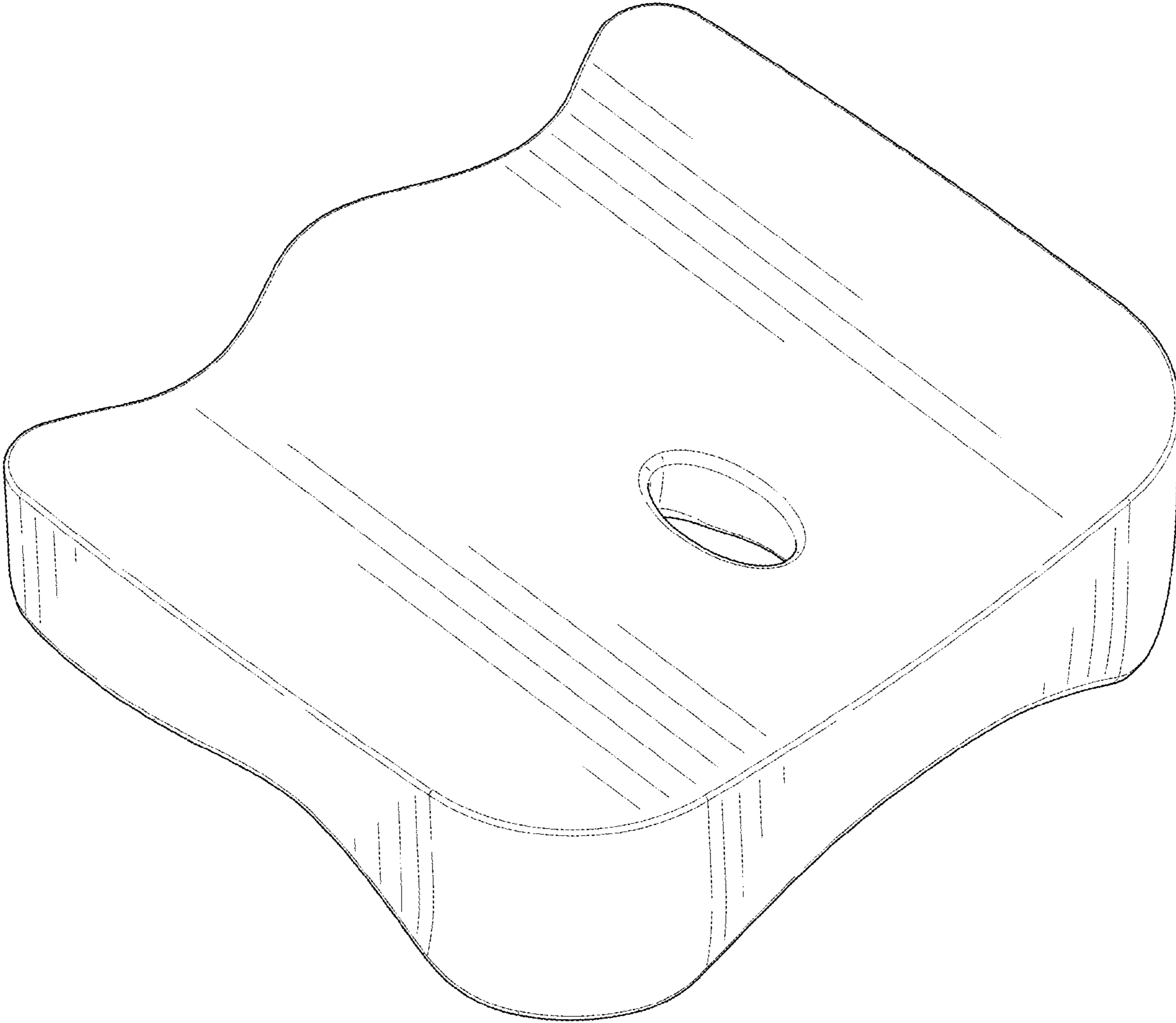


FIG. 2

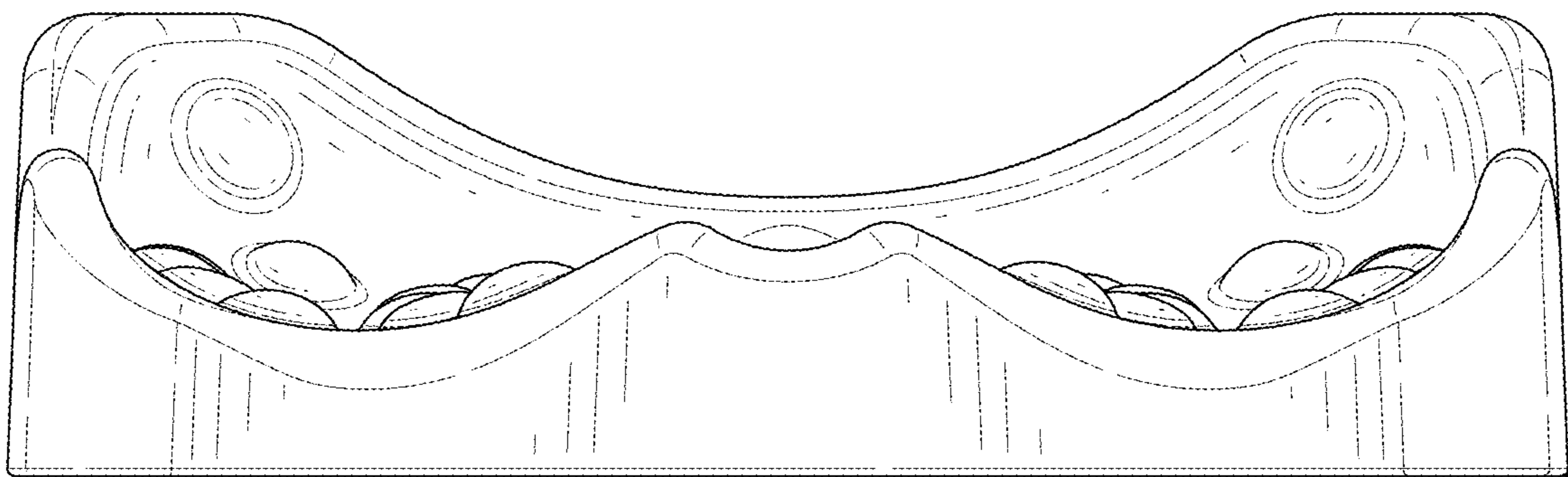


FIG. 3

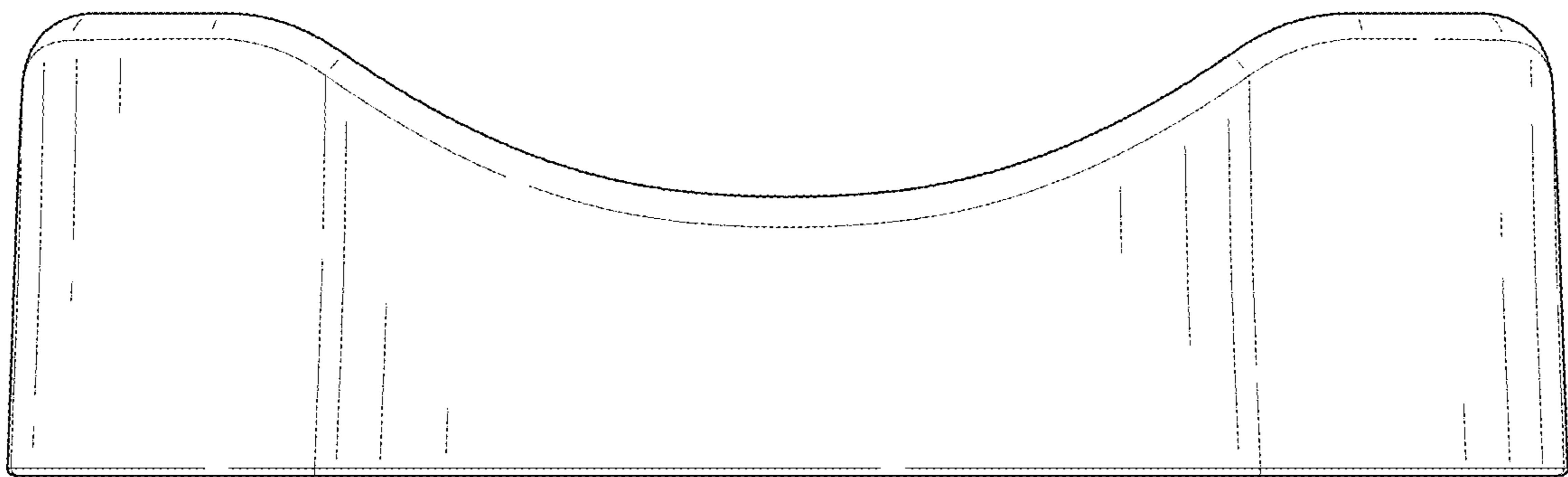


FIG. 4

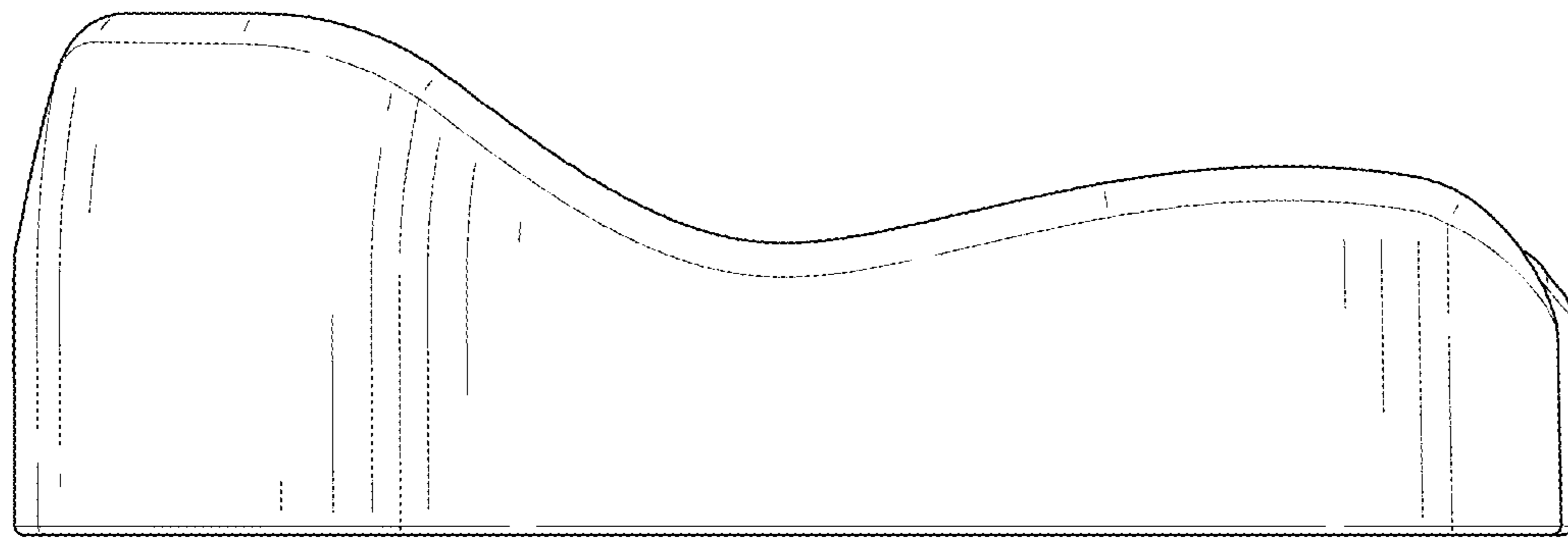


FIG. 5

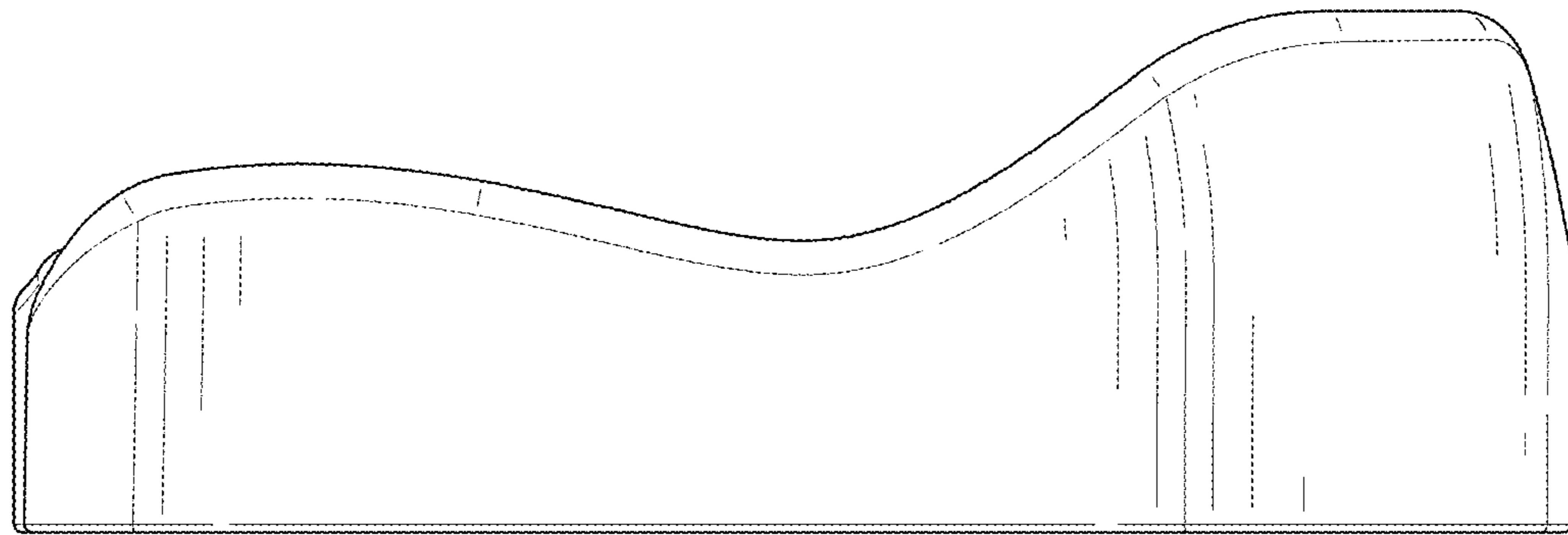


FIG. 6

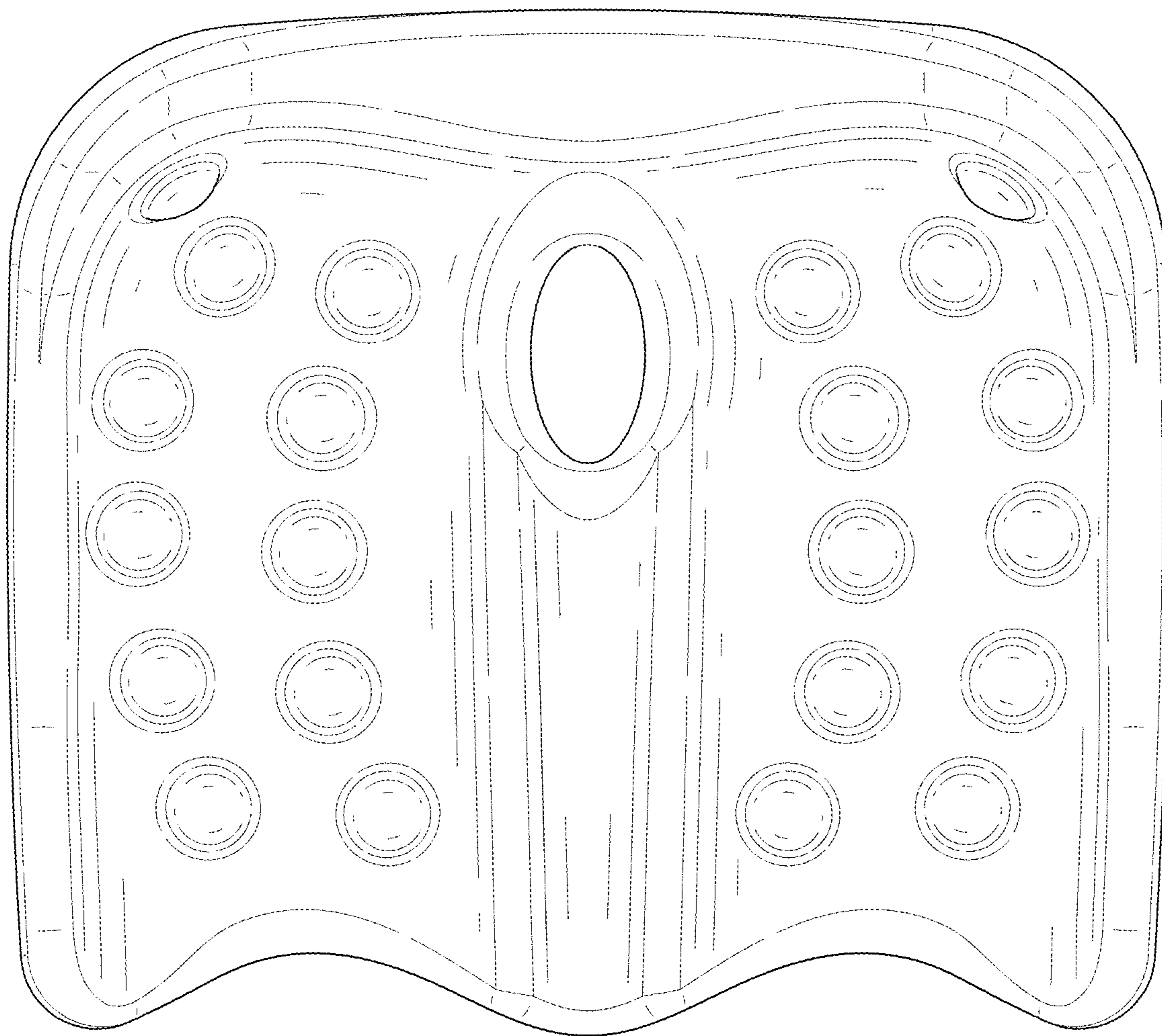


FIG. 7

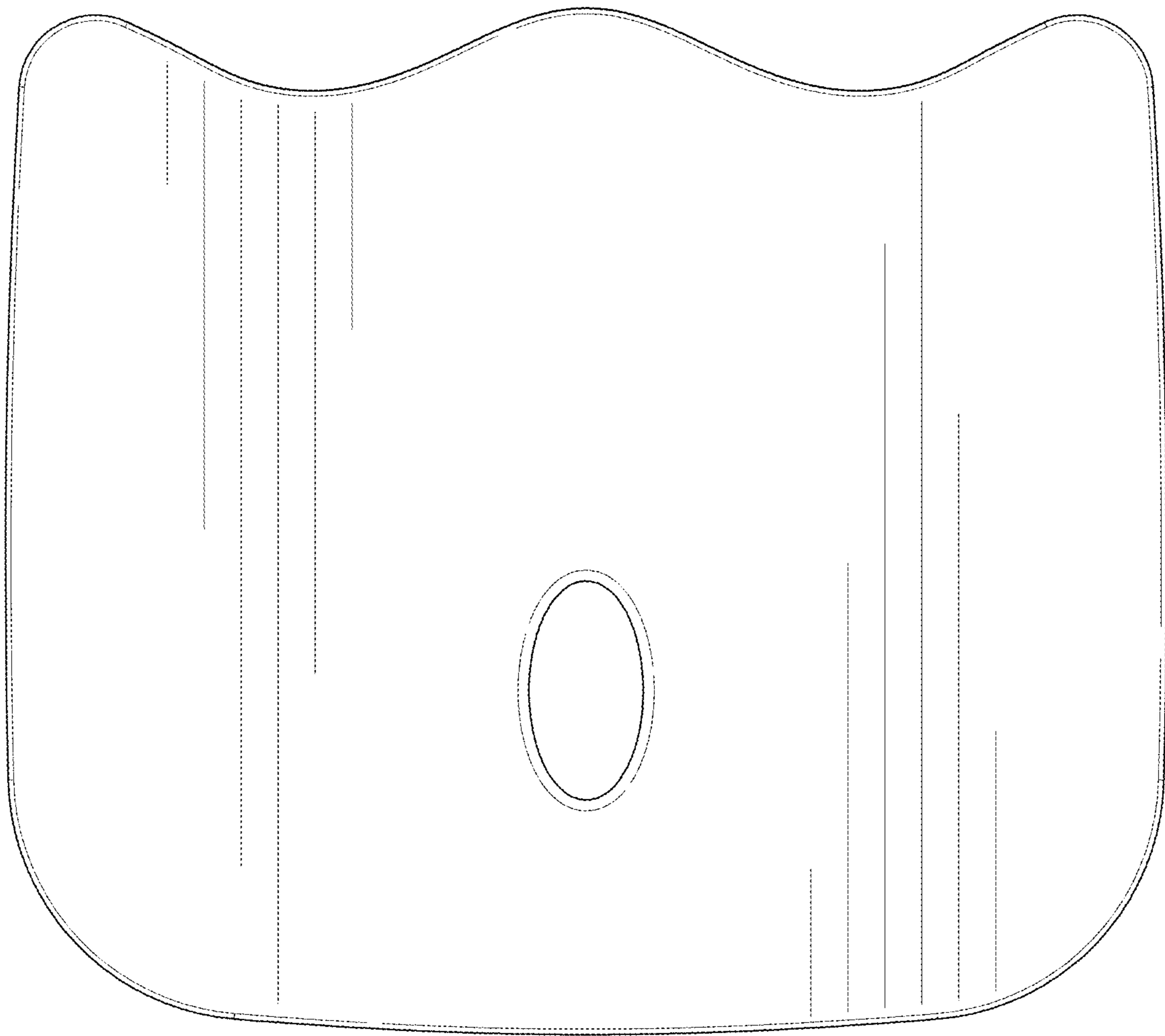


FIG. 8