



US00D924599S

(12) **United States Design Patent**  
**Jiang et al.**

(10) **Patent No.:** **US D924,599 S**

(45) **Date of Patent:** **\*\* Jul. 13, 2021**

(54) **SEAT CUSHION**

(71) Applicant: **Aukey Technology Co., Ltd**, Shenzhen (CN)

(72) Inventors: **Mi Jiang**, Shenzhen (CN); **Haizhuan Lu**, Shenzhen (CN)

(73) Assignee: **Aukey Technology Co., Ltd**, Shenzhen (CN)

(\*\*) Term: **15 Years**

(21) Appl. No.: **29/731,250**

(22) Filed: **Apr. 14, 2020**

(51) **LOC (13) Cl.** ..... **06-09**

(52) **U.S. Cl.**  
USPC ..... **D6/601**

(58) **Field of Classification Search**  
USPC ..... D6/582–583, 587–592, 595–609, D6/617–622; D21/803–809; D24/183  
CPC ..... A47G 9/00; A47G 2009/001; A47G 2009/002; A47G 2009/003; A47G 9/10; A47G 9/1009; A47G 2009/1018; A47G 9/1045; A47G 9/1081; A47G 9/109  
See application file for complete search history.

(56) **References Cited**

**U.S. PATENT DOCUMENTS**

D539,067 S \* 3/2007 Dayan ..... D24/200  
D621,194 S \* 8/2010 Chiang ..... D6/601

D710,022 S \* 7/2014 Chen ..... D24/215  
D871,799 S \* 1/2020 Li ..... D6/611  
D898,919 S \* 10/2020 Helmick ..... D24/184  
2005/0245851 A1 \* 11/2005 Ferber ..... A61H 23/0263  
601/86  
2006/0211962 A1 \* 9/2006 Ferber ..... A61H 7/004  
601/86

\* cited by examiner

*Primary Examiner* — Jennifer L Rempfer

(74) *Attorney, Agent, or Firm* — Westbridge IP LLC

(57) **CLAIM**

The ornamental design for a seat cushion, as shown and described.

**DESCRIPTION**

FIG. 1 is a front perspective view of a seat cushion showing our new design;  
FIG. 2 is a rear perspective view thereof;  
FIG. 3 is a front elevational view thereof;  
FIG. 4 is a rear elevational view thereof;  
FIG. 5 is a left side view thereof;  
FIG. 6 is a right side view thereof;  
FIG. 7 is a top plan view thereof;  
FIG. 8 is a bottom plan view thereof; and,  
FIG. 9 is an enlarge view of portion 9 of FIG. 1.  
The broken lines in the drawings illustrate the portions of the seat cushion which form no part of the claimed design.

**1 Claim, 9 Drawing Sheets**

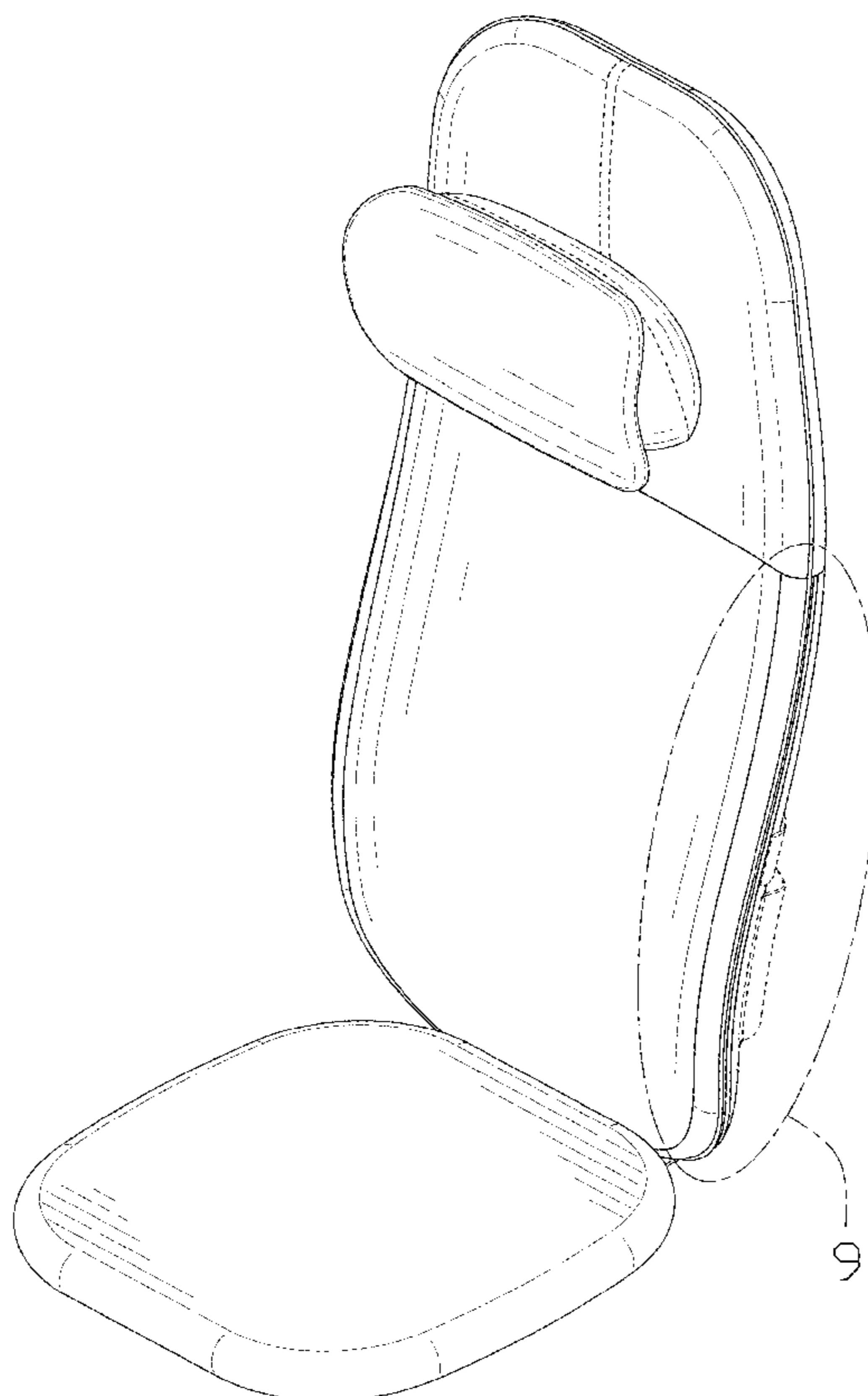




FIG. 1

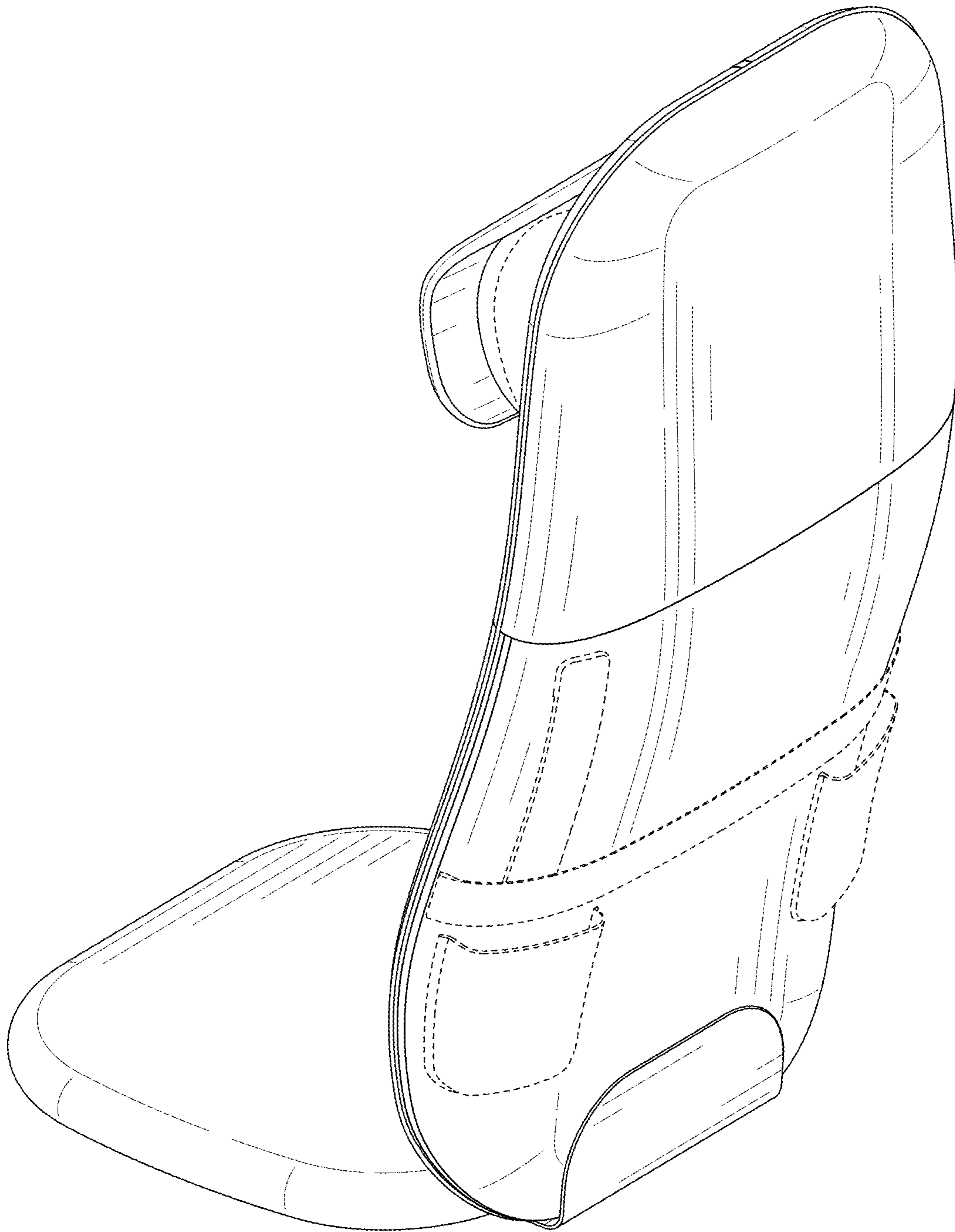


FIG. 2

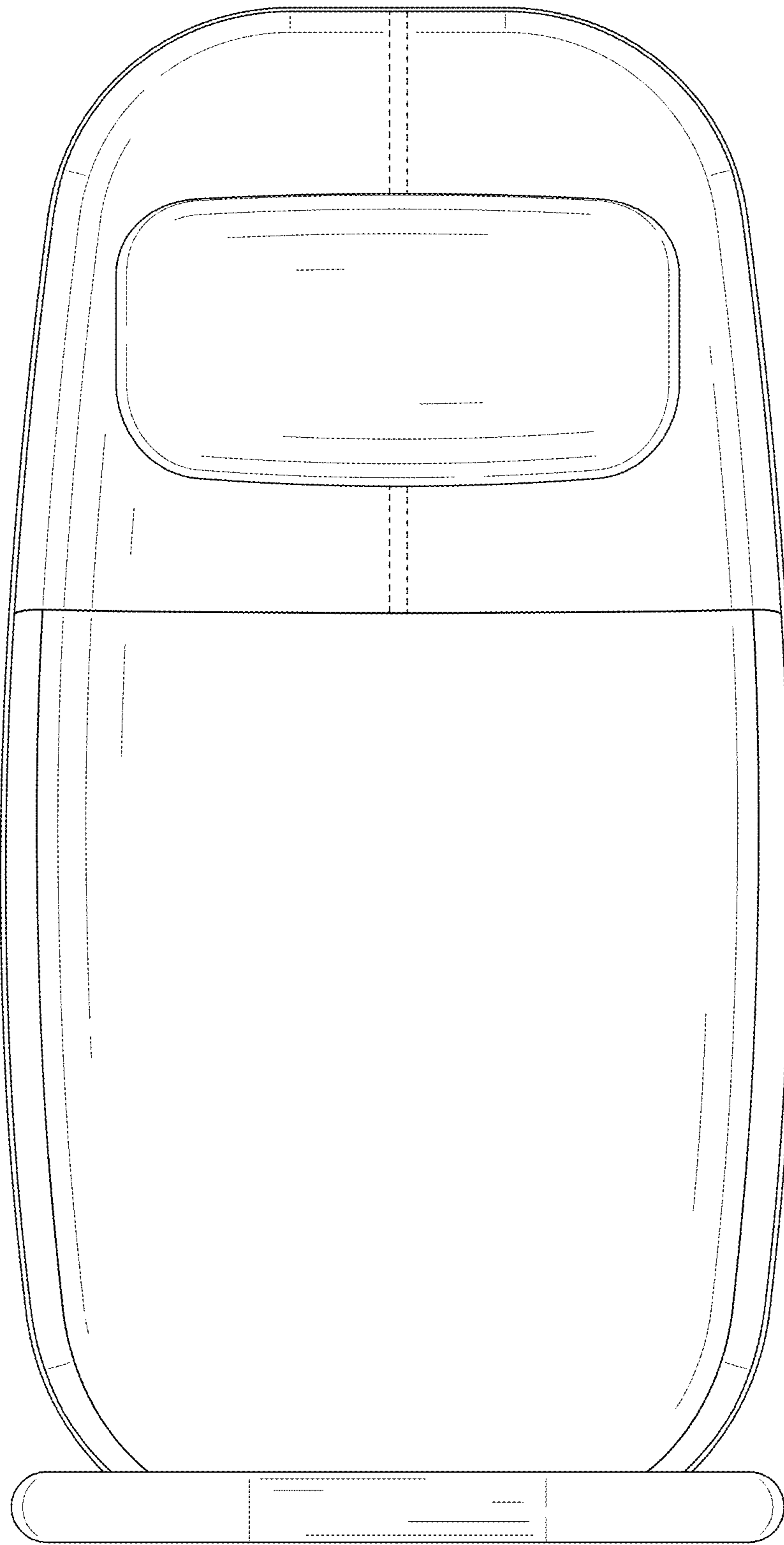


FIG. 3

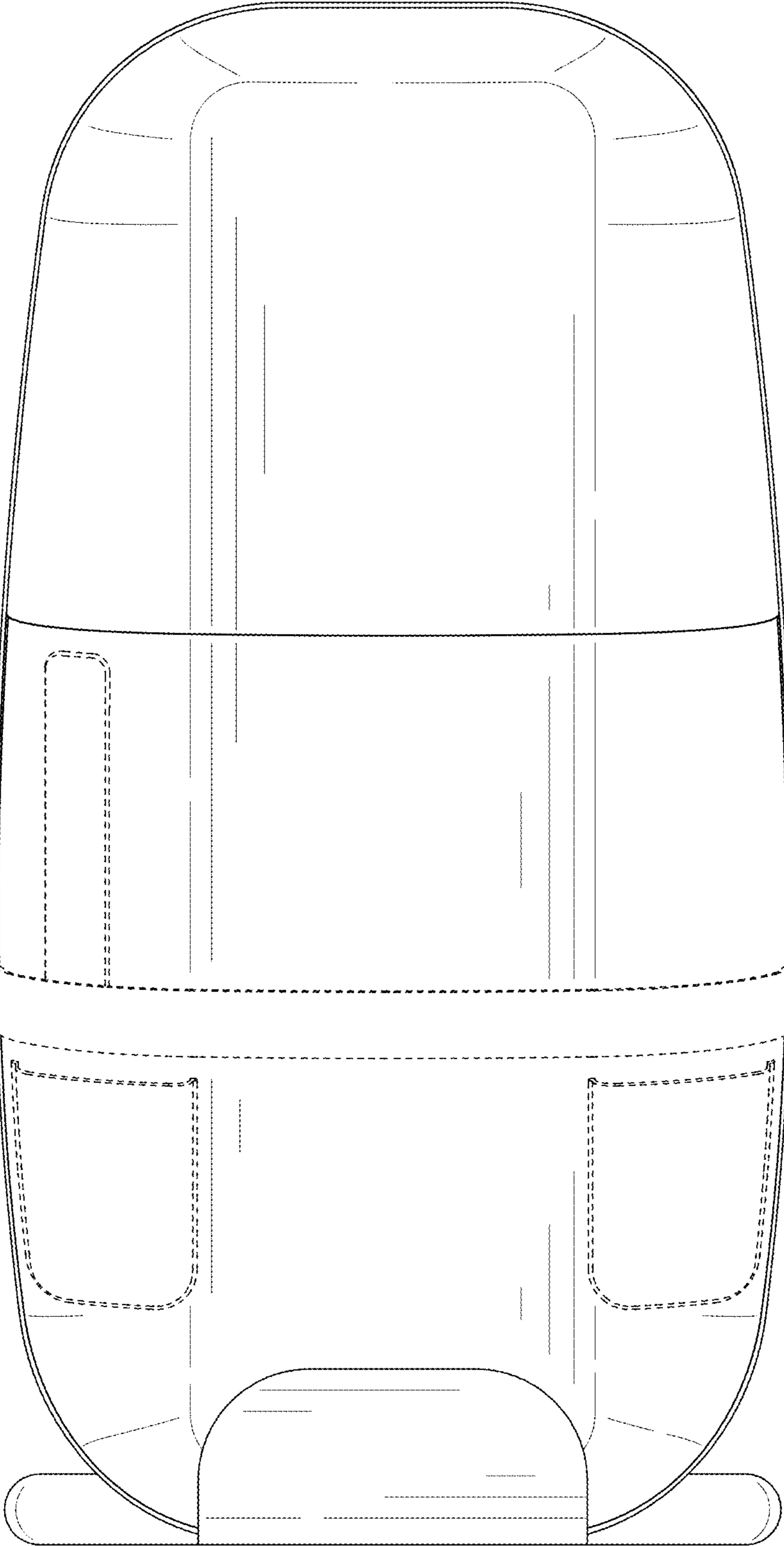


FIG. 4

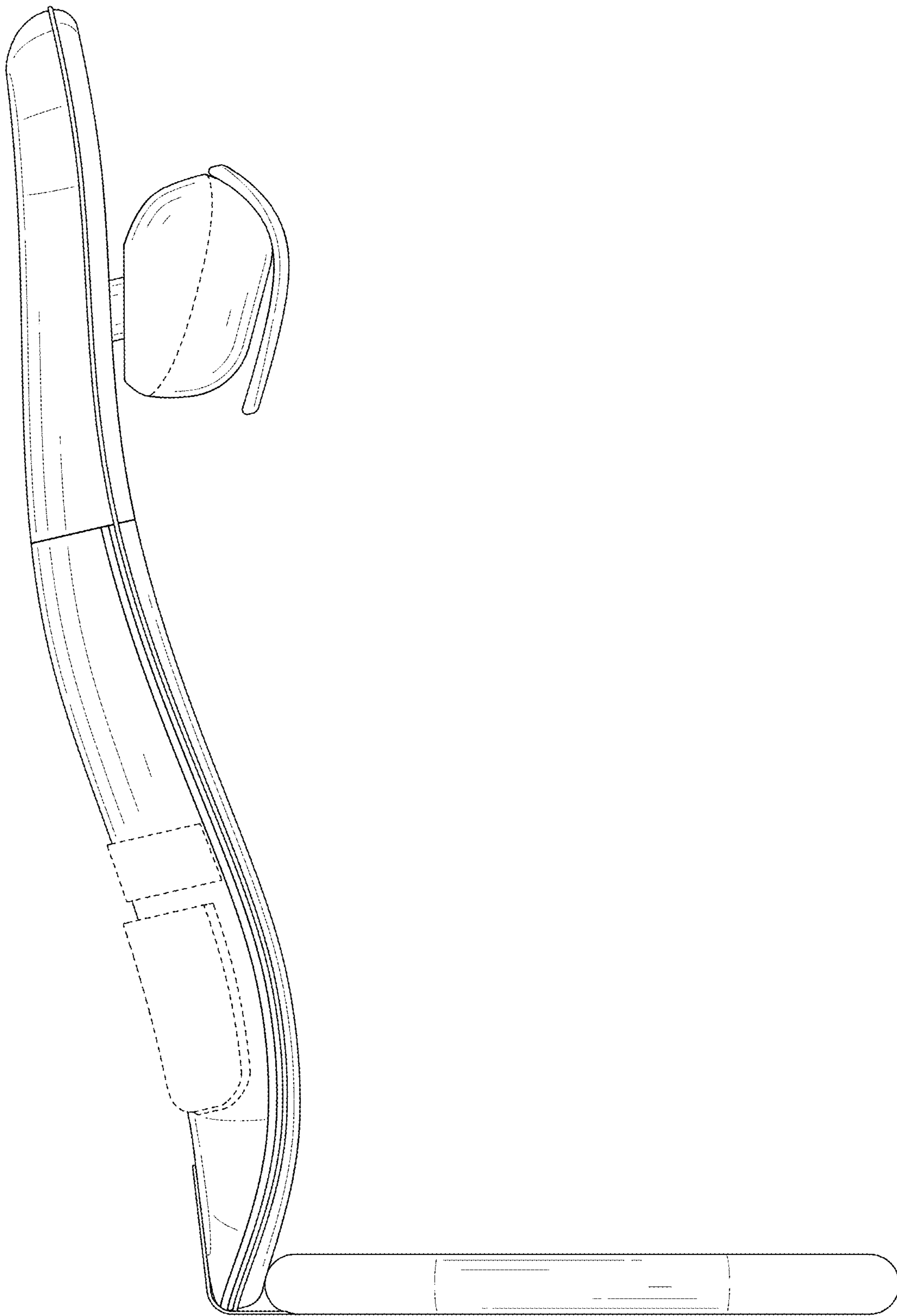


FIG. 5

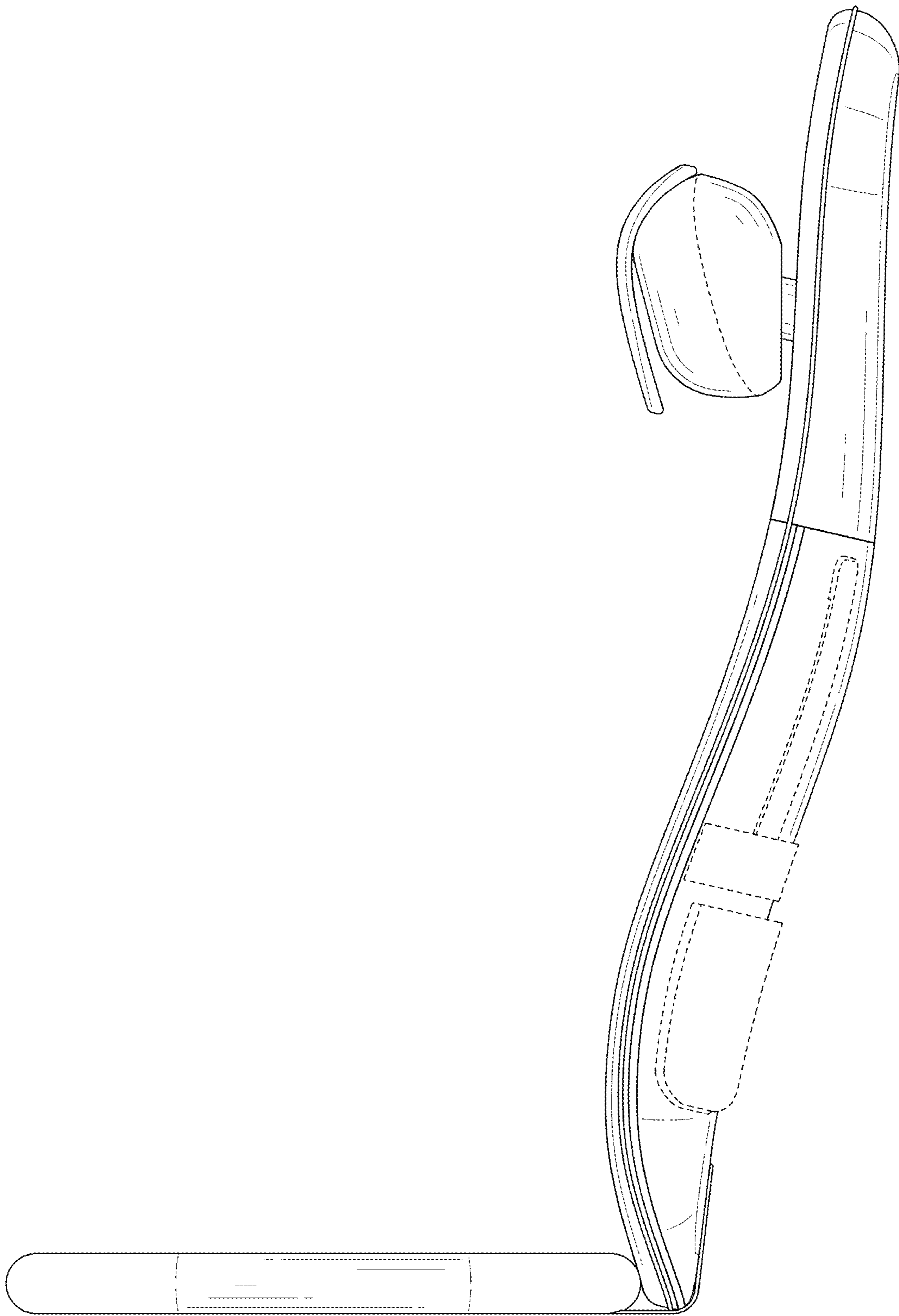


FIG. 6

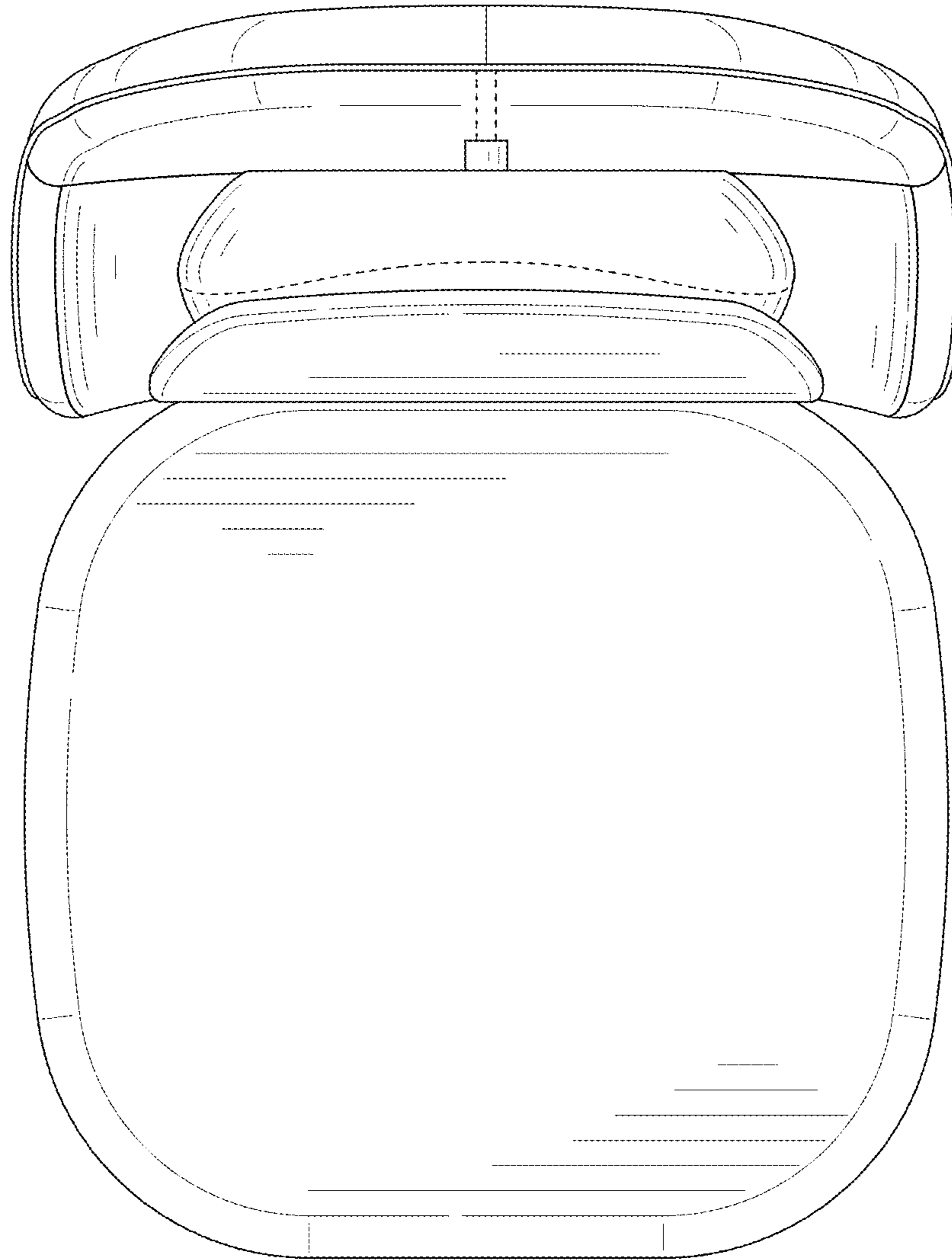


FIG. 7



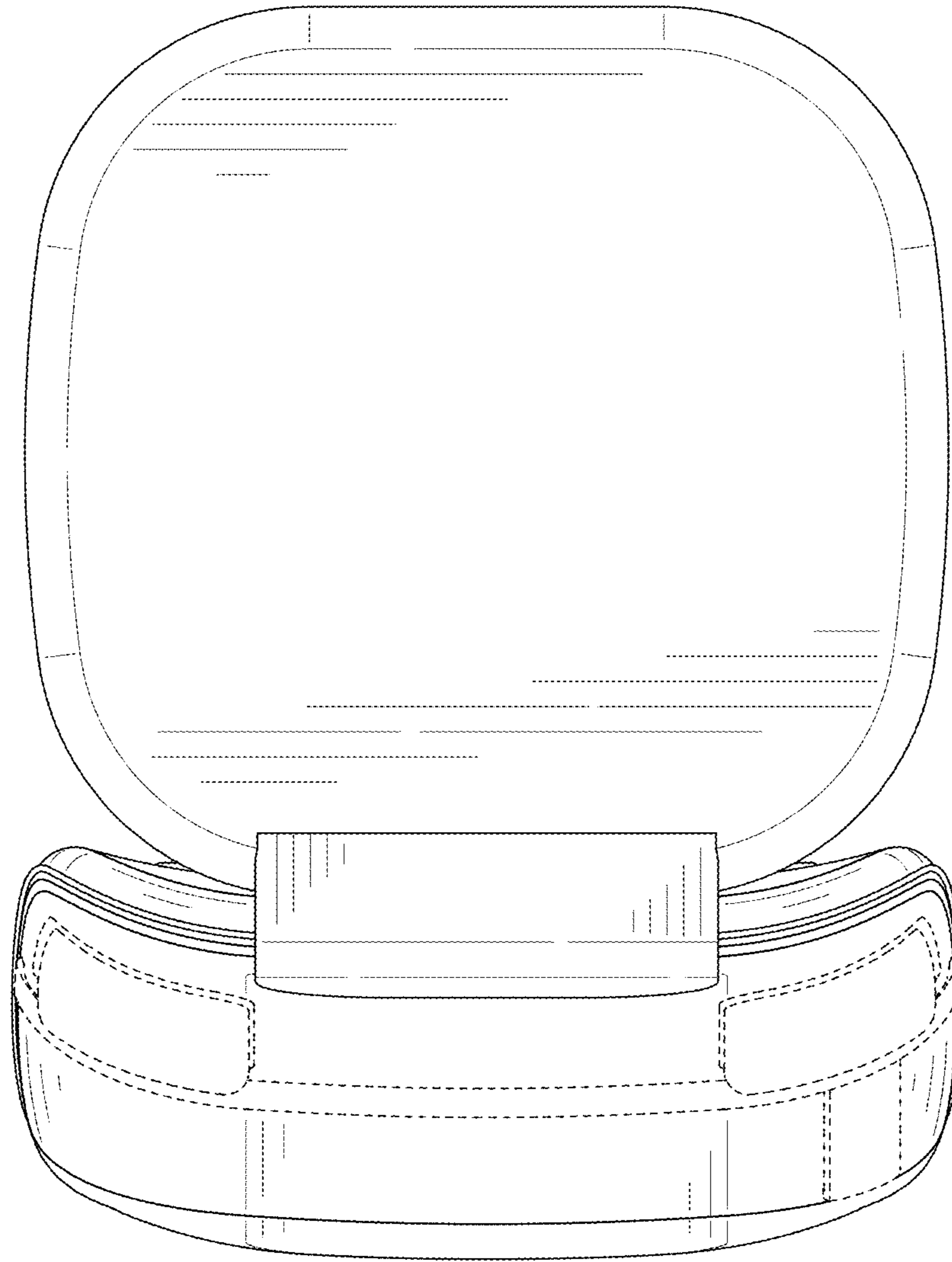


FIG. 8

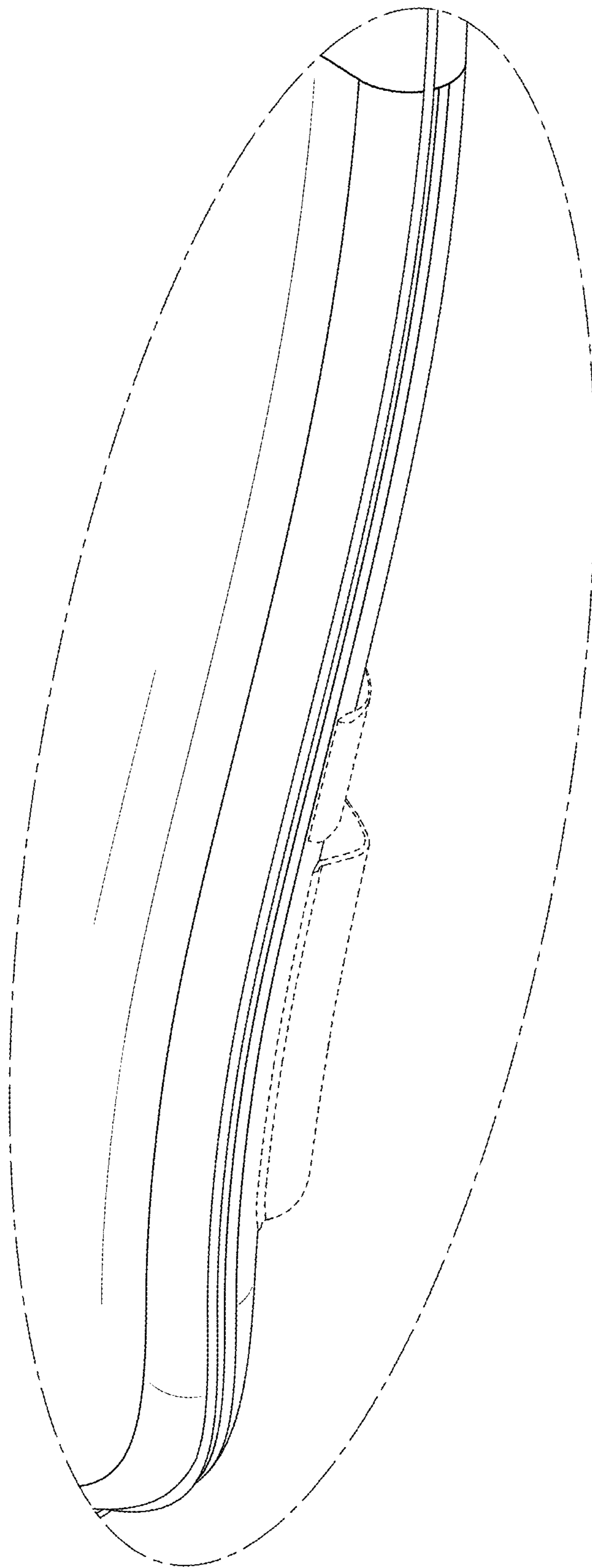


FIG. 9