



US00D924597S

(12) **United States Design Patent** (10) **Patent No.:** **US D924,597 S**  
**Hirshburg** (45) **Date of Patent:** **\*\* Jul. 13, 2021**

(54) **WORK TABLE TRAY**  
(71) Applicant: **Professional Tool Products LLC**,  
Travelers Rest, SC (US)  
(72) Inventor: **Keith Alan Hirshburg**, Travelers Rest,  
SC (US)  
(73) Assignee: **Professional Tool Products LLC**,  
Travelers Rest, SC (US)

D652,932 S \* 1/2012 Petteway ..... D24/164  
D656,760 S \* 4/2012 Fox ..... D6/708  
D695,742 S \* 12/2013 Yang ..... D14/432  
8,613,454 B2 12/2013 Foley  
D714,073 S \* 9/2014 Pittman ..... D6/406.2  
D732,545 S \* 6/2015 Apter ..... D14/447  
9,073,201 B1 7/2015 Foley et al.  
D739,665 S \* 9/2015 Kapp ..... D6/513  
D787,223 S \* 5/2017 Lu ..... D6/406.2  
D863,225 S \* 10/2019 Jhun ..... D13/139.4  
D873,048 S \* 1/2020 Tsukii ..... D6/406.2  
D912,036 S \* 3/2021 Zhang ..... D14/253

(\*\*) Term: **15 Years**

\* cited by examiner

(21) Appl. No.: **29/723,194**

*Primary Examiner* — Kelley A Donnelly

(22) Filed: **Feb. 5, 2020**

(74) *Attorney, Agent, or Firm* — JK Intellectual Property  
Law, PA

(51) **LOC (13) Cl.** ..... **06-06**

(52) **U.S. Cl.**  
USPC ..... **D6/406.1**

(57) **CLAIM**

(58) **Field of Classification Search**  
USPC ..... D6/512–514, 553, 685–686, 691, 704,  
D6/707.19, 406.1–406.6; D12/400,  
D12/415–416; D7/545, 550.1, 554.3,  
D7/554.4, 698  
CPC ..... A47G 23/06; A47G 23/08; A47G 29/093;  
A47G 23/0608; A47B 3/00; A47B 3/002;  
A47B 23/00; A47B 23/001  
See application file for complete search history.

The ornamental design for a work table tray, as shown and  
described.

**DESCRIPTION**

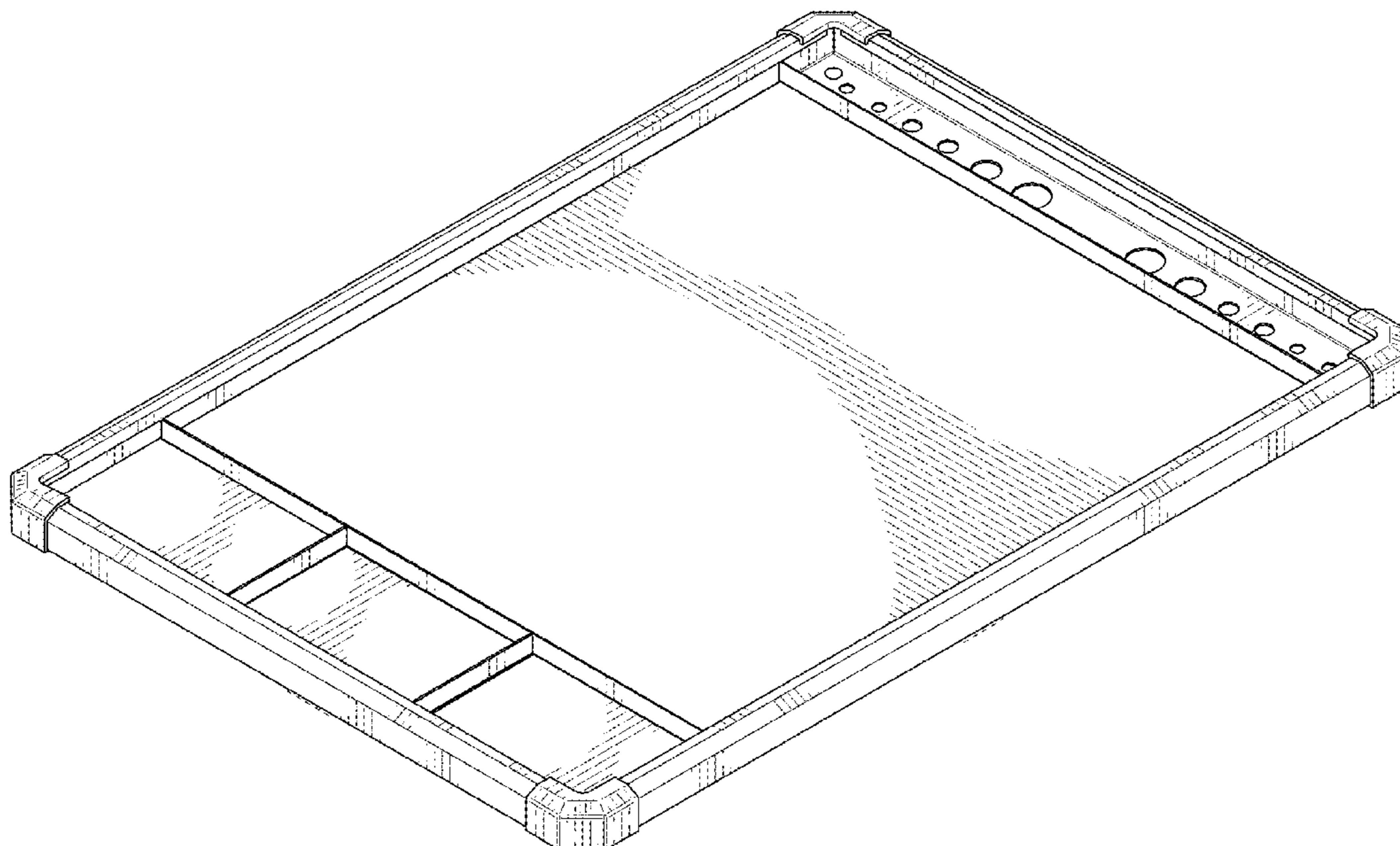
(56) **References Cited**

U.S. PATENT DOCUMENTS

D377,275 S \* 1/1997 Diletto ..... D6/406.2  
D380,944 S \* 7/1997 Nielsen ..... D12/425  
D445,395 S \* 7/2001 Okerlund ..... D12/400  
D484,697 S \* 1/2004 McCoy ..... D3/304  
D499,574 S \* 12/2004 Spicer ..... D14/447  
D619,822 S \* 7/2010 Damgaard-Sorensen .....  
D6/406.1  
D638,637 S 5/2011 Foley

FIG. 1 is a top isometric view of a work table tray according  
to the present design;  
FIG. 2 is a bottom isometric view thereof;  
FIG. 3 is a front end view thereof;  
FIG. 4 is a rear end view thereof;  
FIG. 5 is a left side view thereof;  
FIG. 6 is a right side view thereof;  
FIG. 7 is a top view thereof; and,  
FIG. 8 is a bottom view thereof.  
Broken lines indicate the bounds of the claimed design.  
Elements shown in broken lines form no part of the claimed  
design.

**1 Claim, 6 Drawing Sheets**



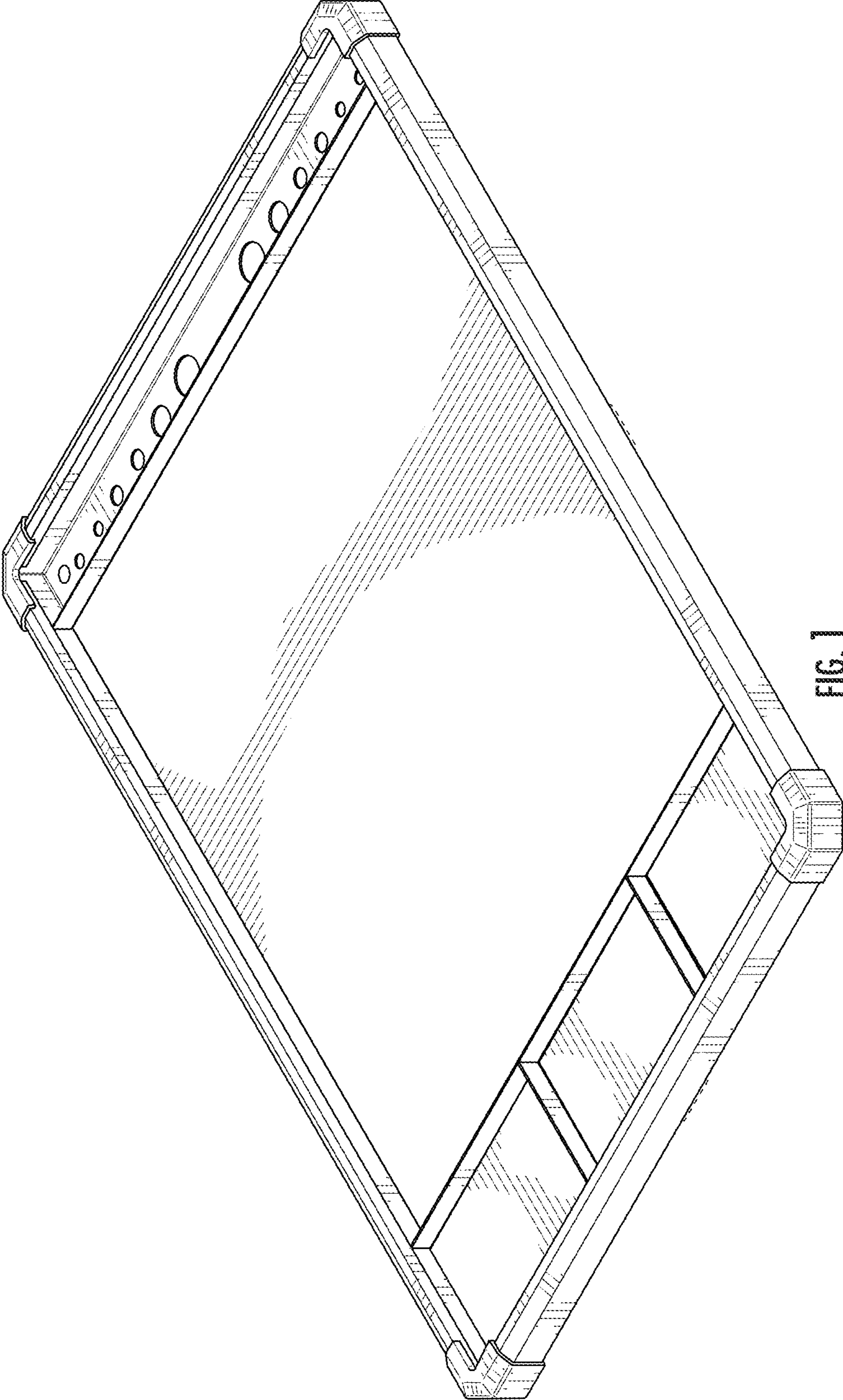


FIG. 1

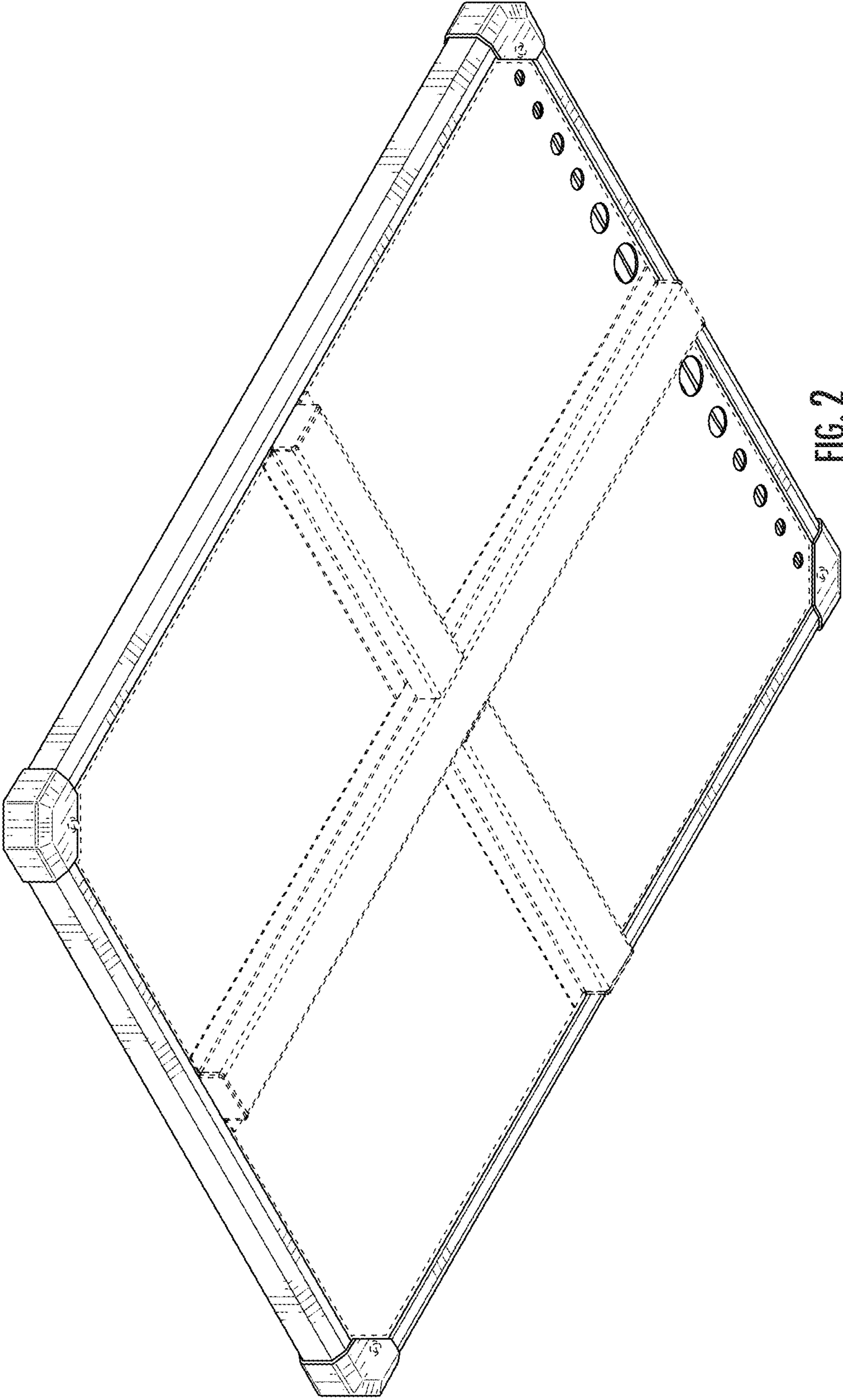


FIG. 2



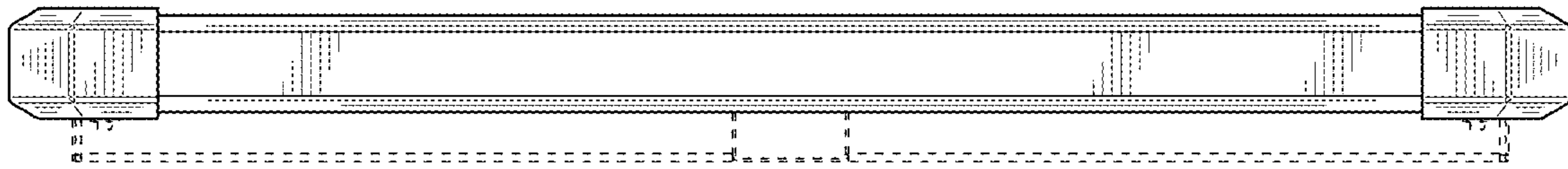


FIG. 3

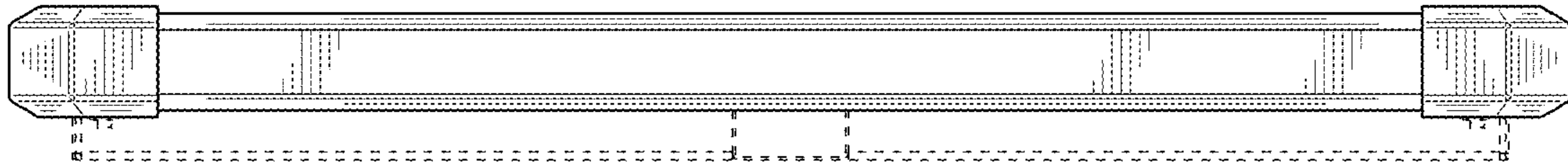


FIG. 4

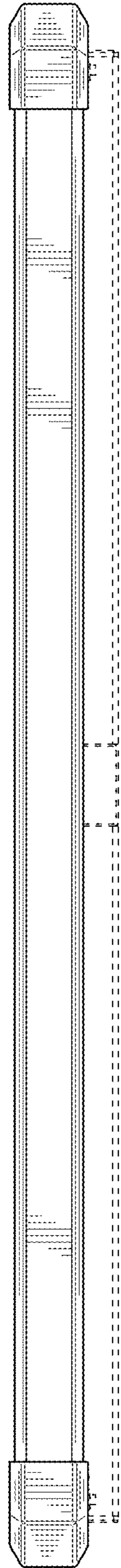


FIG. 5

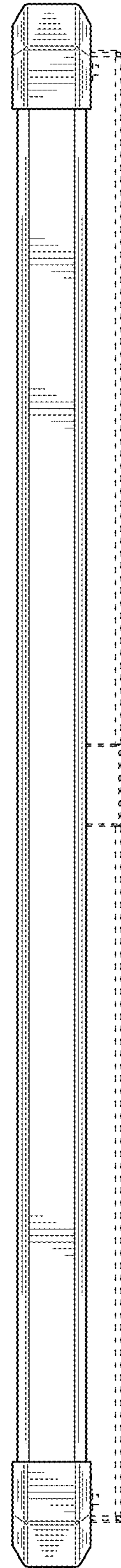


FIG. 6

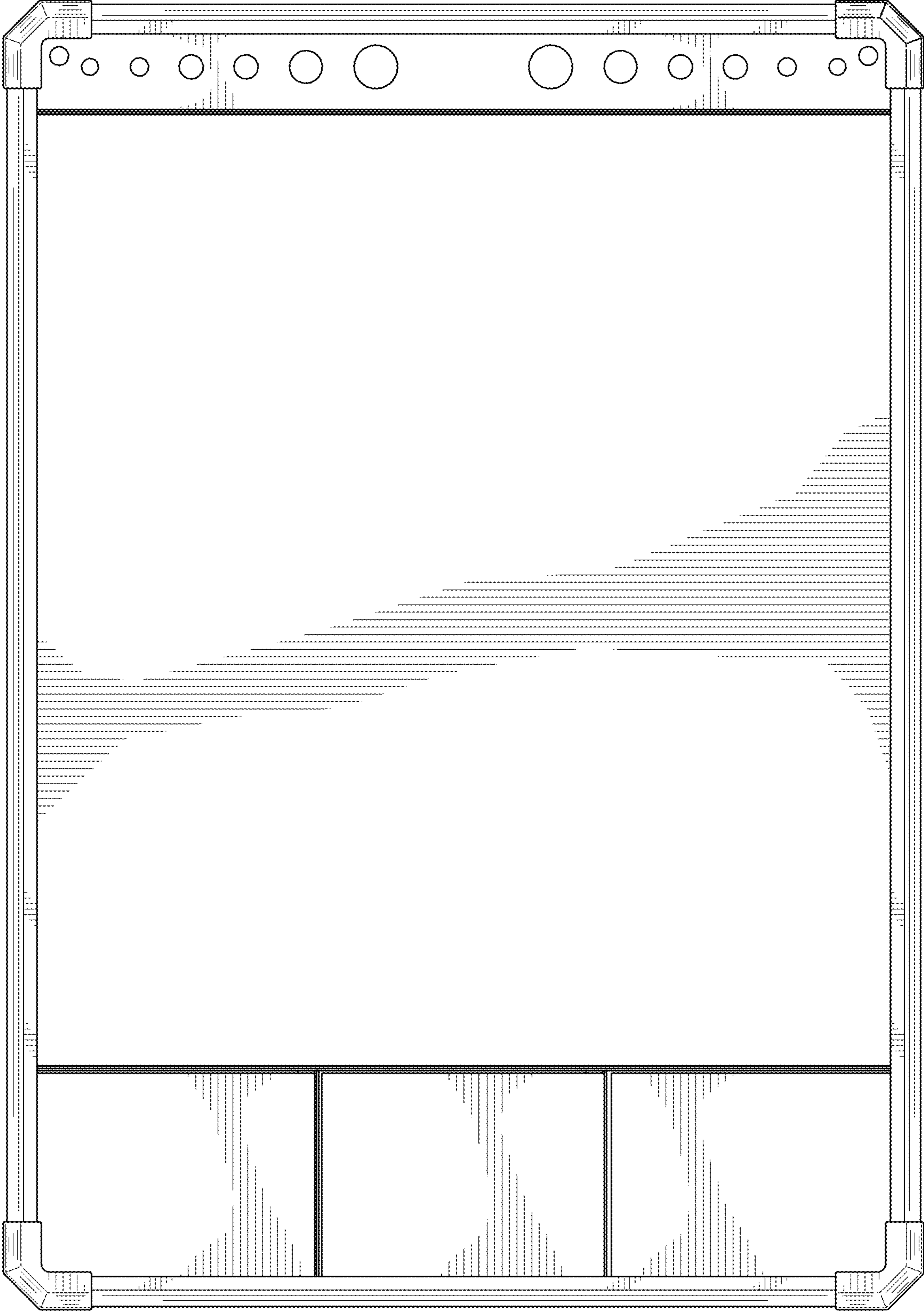


FIG. 7

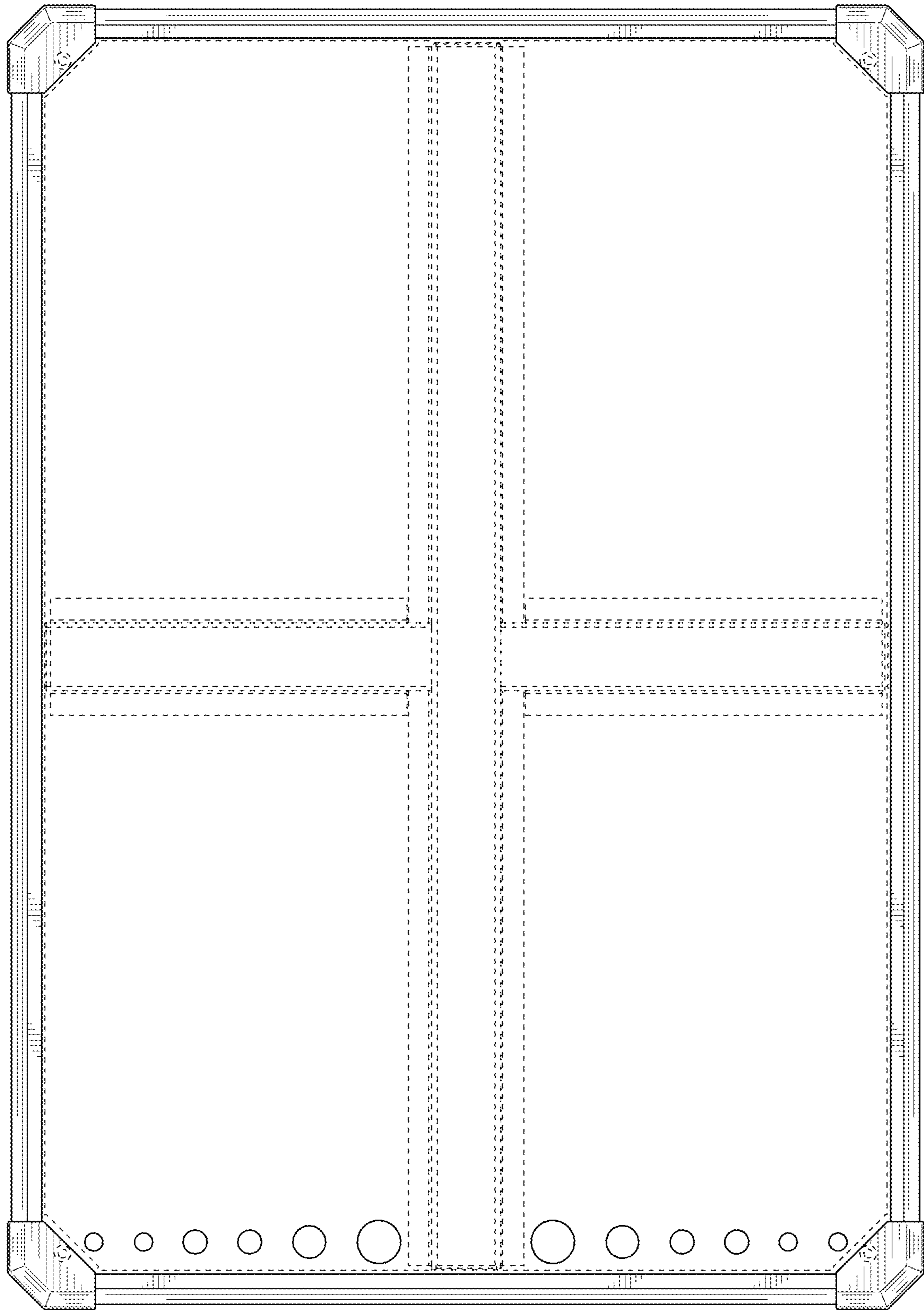


FIG. 8