



US00D924594S

(12) **United States Design Patent**  
**Zhong**

(10) **Patent No.:** **US D924,594 S**  
(45) **Date of Patent:** **\*\* Jul. 13, 2021**

(54) **OFFICE CHAIR**

(71) Applicant: **Shenzhen shizichuanqi Technology Co., Ltd.**, Shenzhen Guangdong (CN)

(72) Inventor: **Liangxing Zhong**, Shenzhen Guangdong (CN)

(\*\*) Term: **15 Years**

(21) Appl. No.: **29/773,281**

(22) Filed: **Mar. 9, 2021**

(51) **LOC (13) Cl.** ..... **06-01**

(52) **U.S. Cl.**  
USPC ..... **D6/366**

(58) **Field of Classification Search**  
USPC ..... D6/334-336, 364, 365, 366, 367, 374,  
D6/379, 716, 716.1, 716.2, 716.3, 716.4,  
D6/716.5

CPC ..... A47C 7/004; A47C 7/006; A47C 7/18;  
A47C 7/24; A47C 7/282; A47C 7/285;  
A47C 4/36; A47C 7/38; A47C 7/386;  
A47C 7/40; A47C 7/46; A47C 7/462;  
A47C 7/54; A47C 7/541

See application file for complete search history.

(56) **References Cited**

**U.S. PATENT DOCUMENTS**

D445,580 S \* 7/2001 Pennington ..... D6/366  
D512,232 S \* 12/2005 Wu ..... D6/366

D541,062 S \* 4/2007 Su ..... D6/366  
D548,474 S \* 8/2007 Fancelli ..... D6/366  
D750,911 S \* 3/2016 Su ..... D6/366  
D755,532 S \* 5/2016 Su ..... D6/366  
D763,587 S \* 8/2016 Neil ..... D6/366  
D773,874 S \* 12/2016 Su ..... D6/716.4  
D792,717 S \* 7/2017 Webb ..... D6/366  
D816,362 S \* 5/2018 Su ..... D6/366  
D879,491 S \* 3/2020 Wang ..... D6/366  
D900,496 S 11/2020 Shen  
D912,418 S \* 3/2021 Chen ..... D6/366  
D912,421 S \* 3/2021 Chen ..... D6/366

\* cited by examiner

*Primary Examiner* — Mimosa De

(57) **CLAIM**

The ornamental design for an office chair, as shown and described.

**DESCRIPTION**

FIG. 1 is a front and top perspective view of an office chair, showing my new design;  
FIG. 2 is a rear and bottom perspective view thereof;  
FIG. 3 is a front elevation view thereof;  
FIG. 4 is a rear elevation view thereof;  
FIG. 5 is a left side elevation view thereof;  
FIG. 6 is a right side elevation view thereof;  
FIG. 7 is a top plan view thereof; and,  
FIG. 8 is a bottom plan view thereof.  
The broken lines in the figures illustrate portions of the office chair that form no part of the claimed design.

**1 Claim, 8 Drawing Sheets**



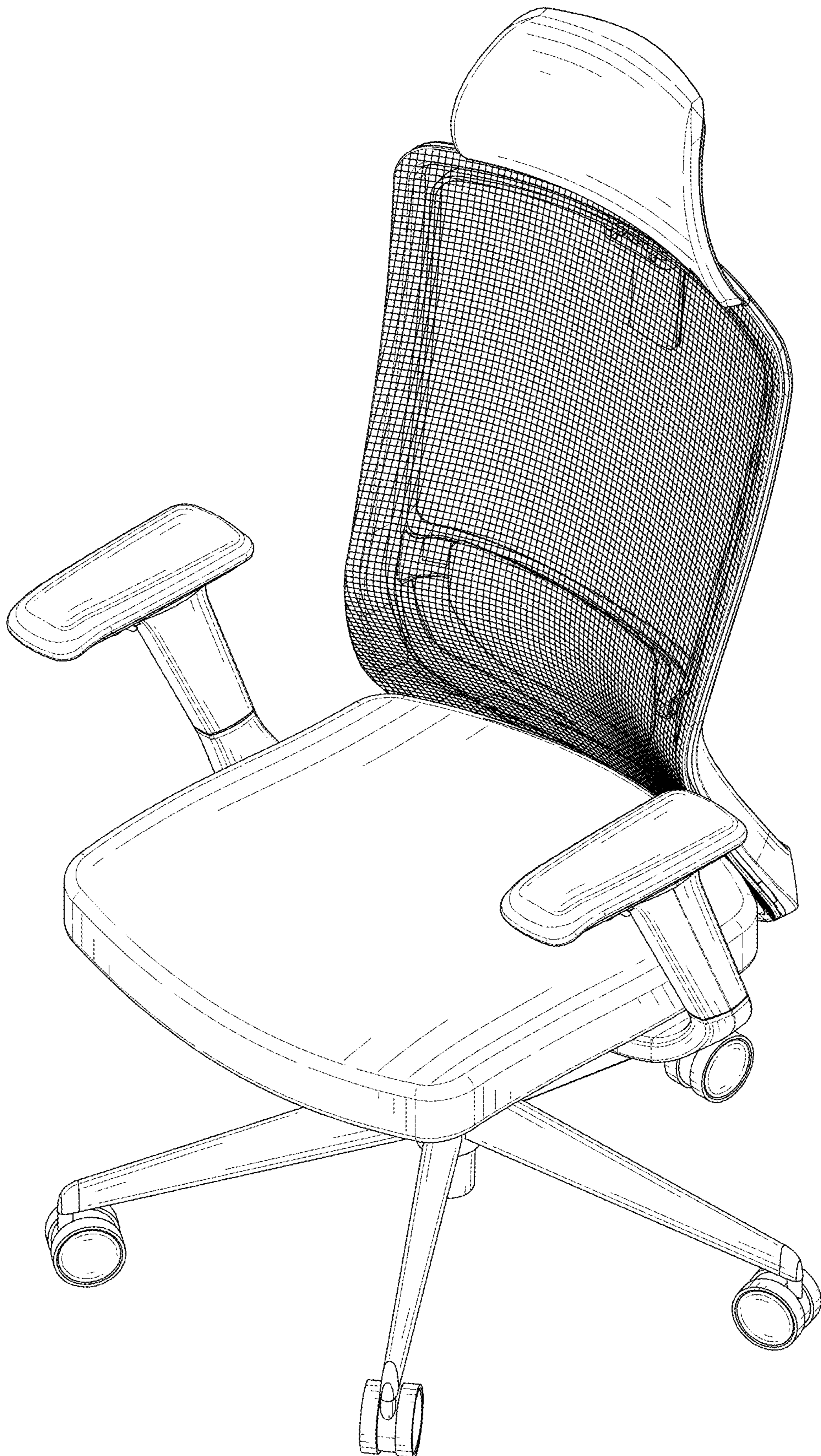


FIG. 1



FIG. 2

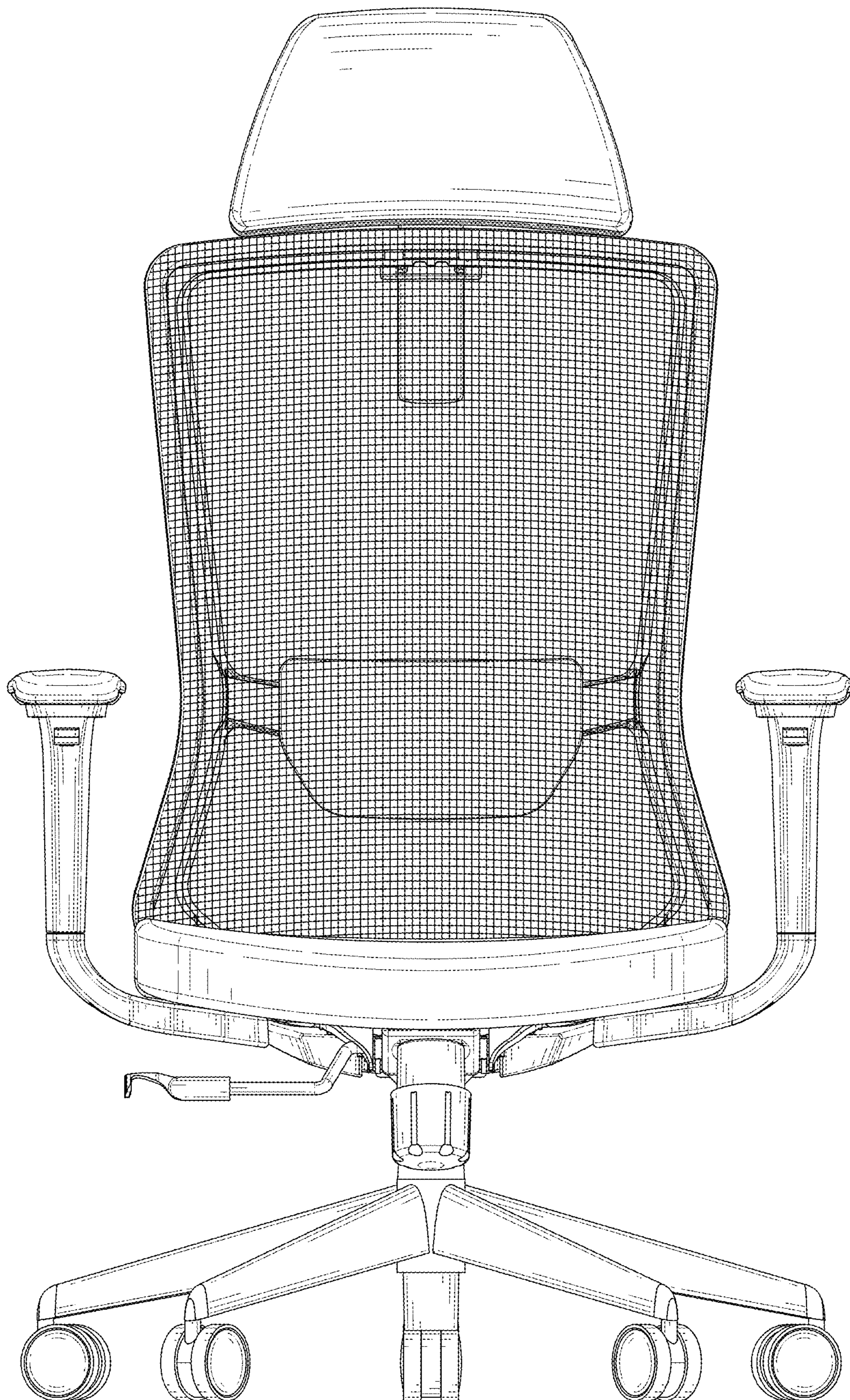


FIG. 3

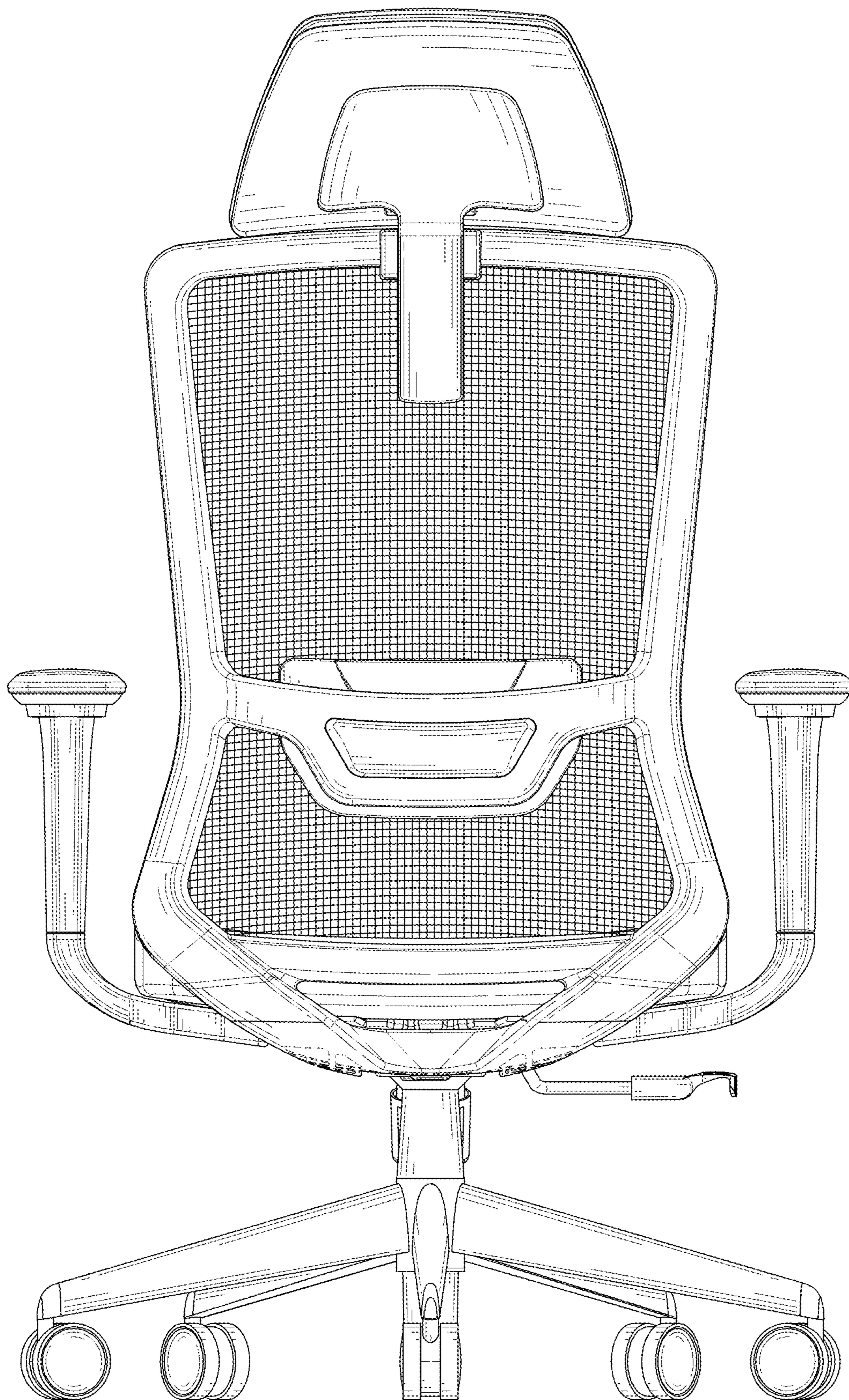


FIG. 4

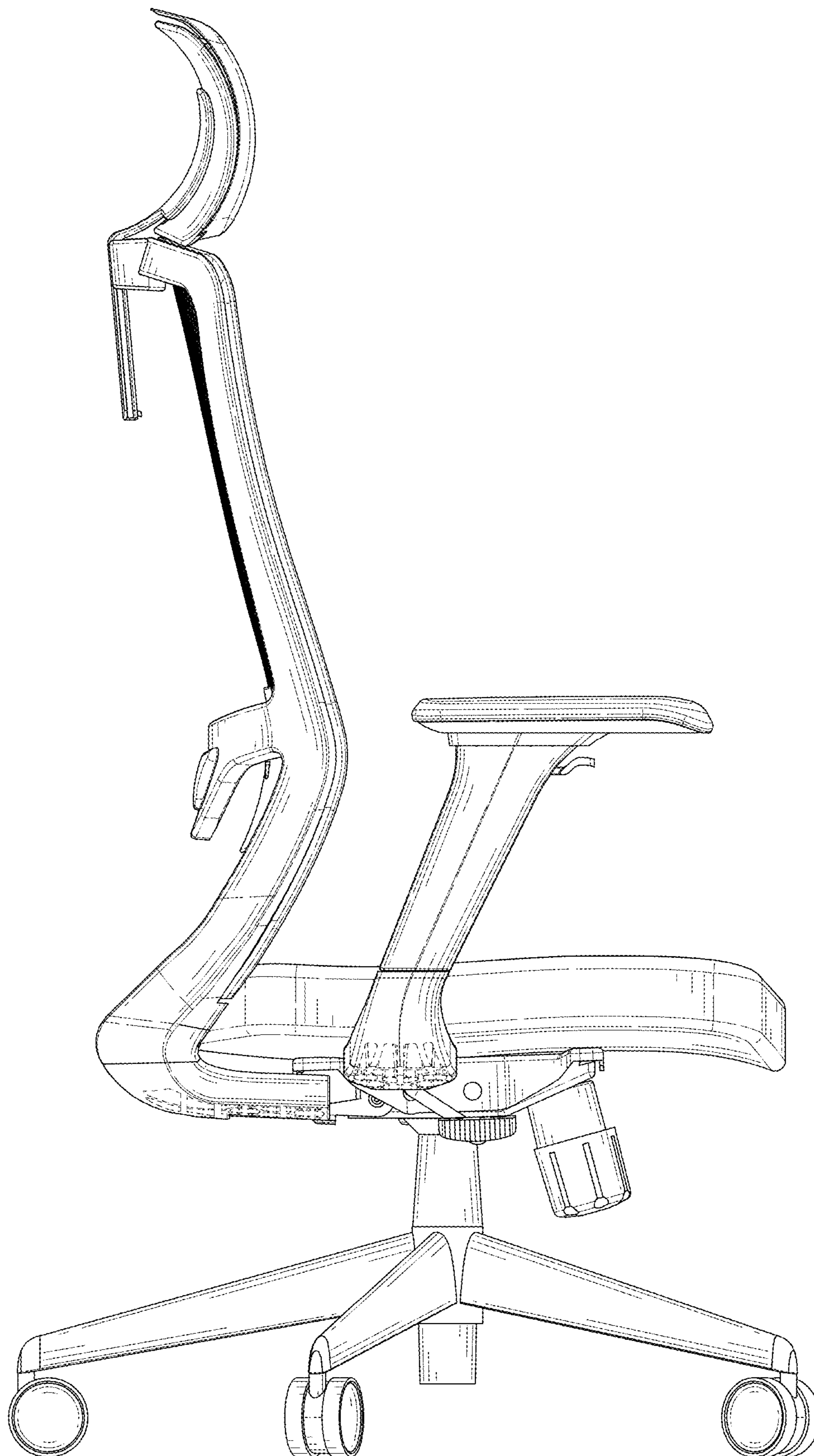


FIG. 5

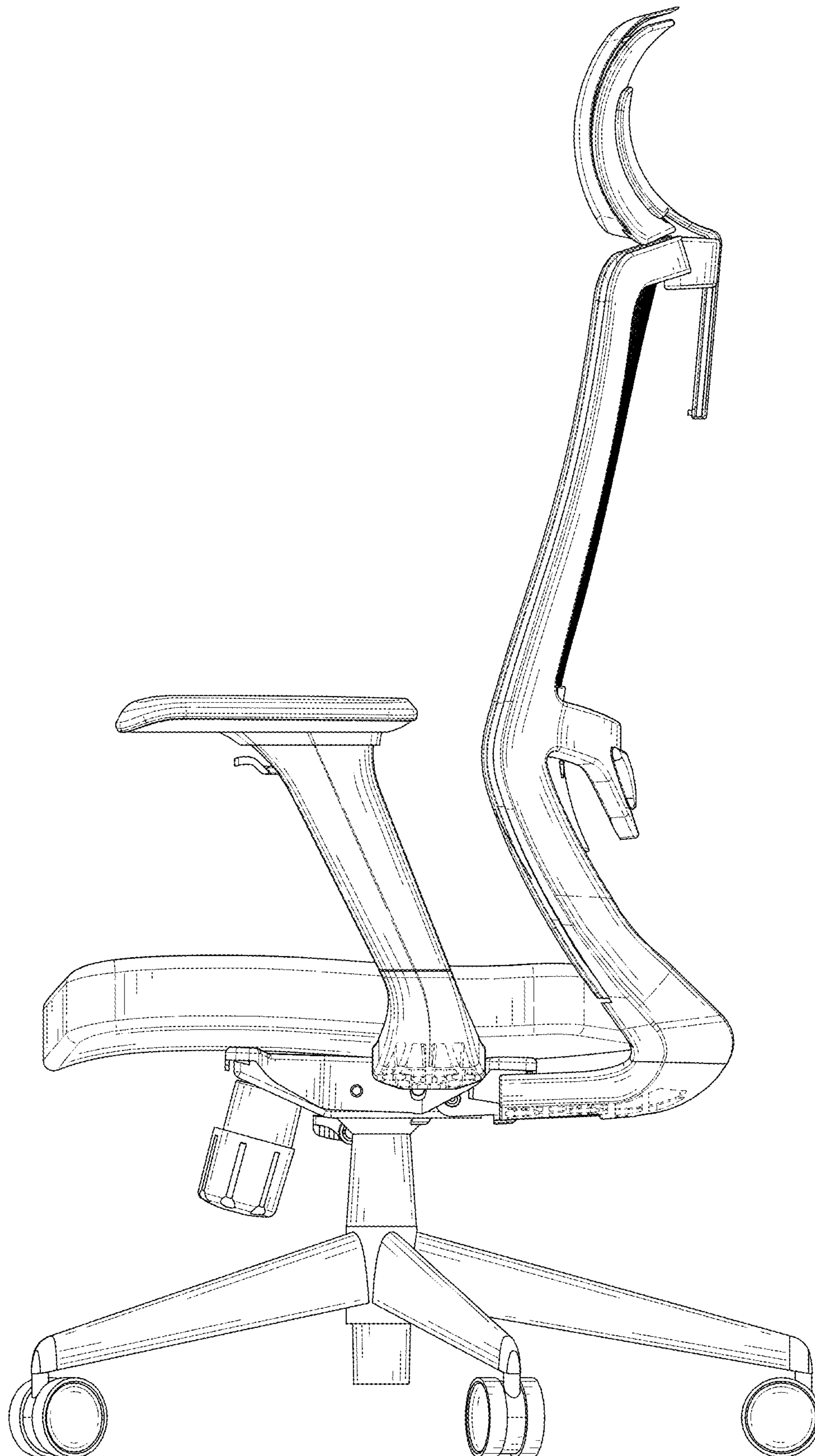


FIG. 6

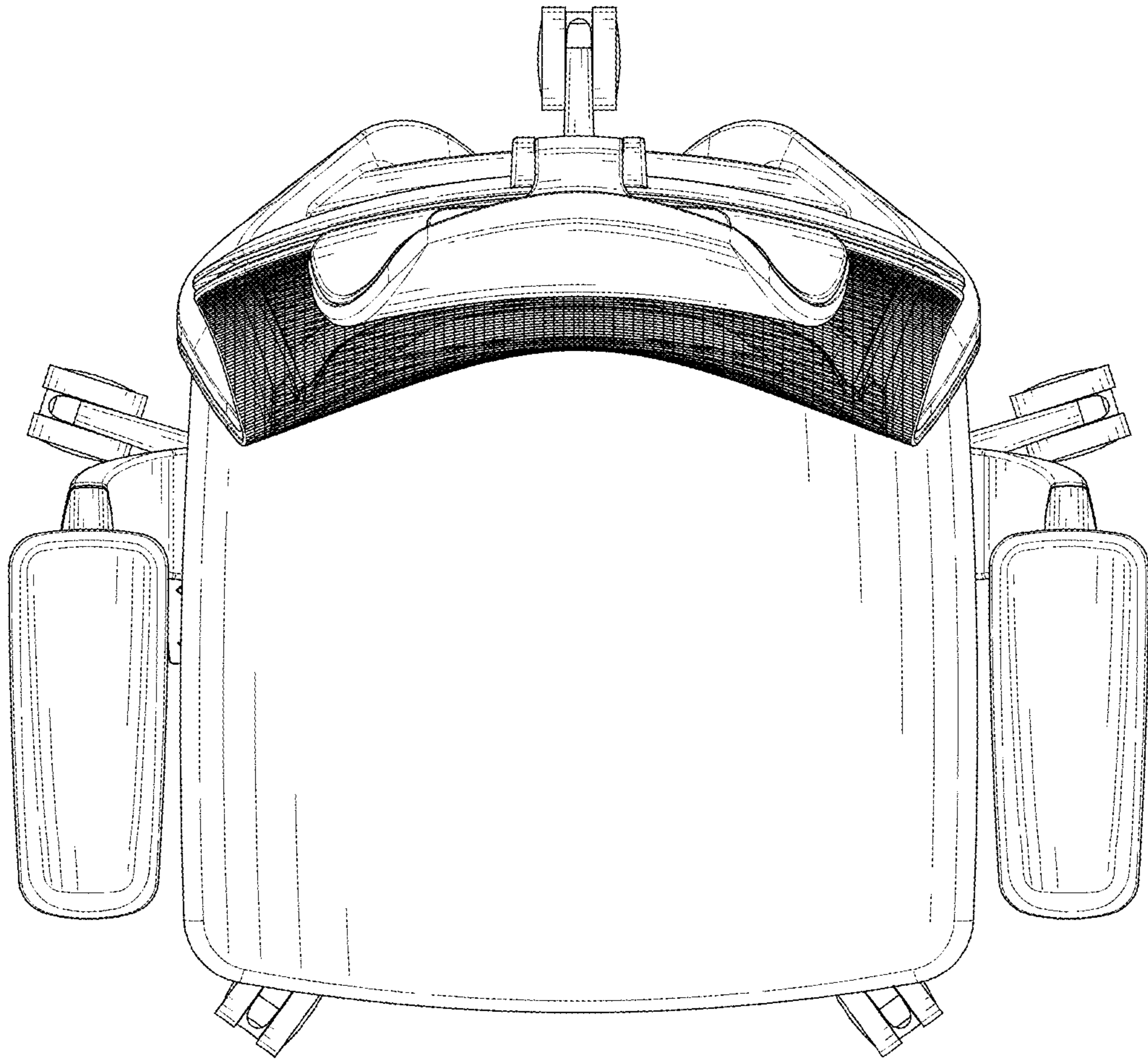


FIG. 7



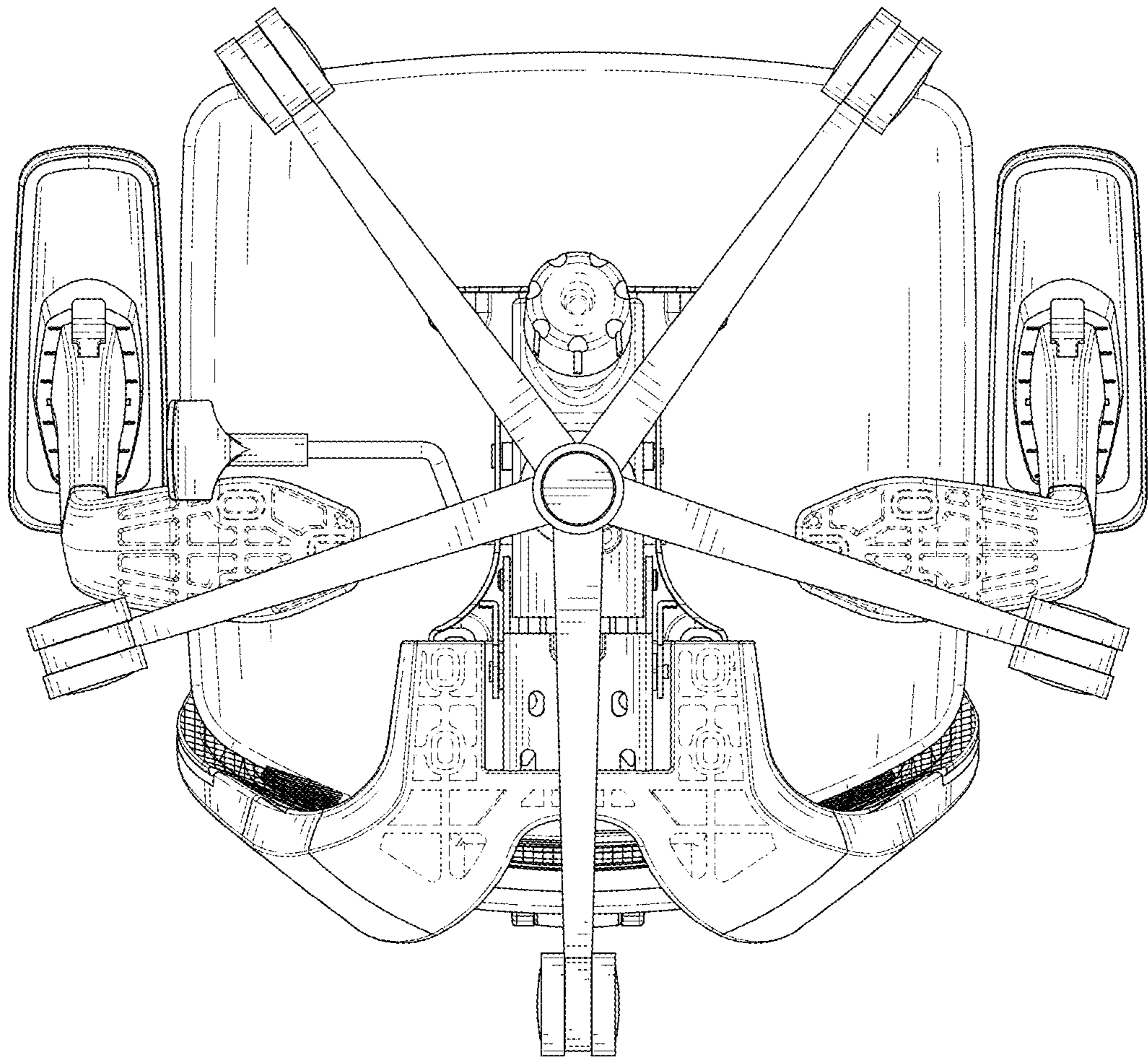


FIG. 8