



US00D924593S

(12) **United States Design Patent**  
**Chen**

(10) **Patent No.:** **US D924,593 S**  
(45) **Date of Patent:** **\*\* Jul. 13, 2021**

(54) **CHAIR**

(71) Applicant: **Heping Chen**, Zhejiang (CN)

(72) Inventor: **Heping Chen**, Zhejiang (CN)

(\*\*) Term: **15 Years**

(21) Appl. No.: **29/732,018**

(22) Filed: **Apr. 20, 2020**

(30) **Foreign Application Priority Data**

Dec. 20, 2019 (CN) ..... 201930714265.1

(51) **LOC (13) Cl.** ..... **06-01**

(52) **U.S. Cl.**  
USPC ..... **D6/366**

(58) **Field of Classification Search**  
USPC ..... D6/334, 364, 365, 366, 367, 369, 375,  
D6/379, 380

CPC .... A47C 3/00; A47C 3/18; A47C 3/20; A47C  
3/026; A47C 1/00; A47C 1/02; A47C  
1/022; A47C 1/037; A47C 7/24; A47C  
7/36; A47C 7/46

See application file for complete search history.

(56) **References Cited**

**U.S. PATENT DOCUMENTS**

6,030,037 A \* 2/2000 Ritch ..... A47C 3/04  
297/239  
D597,330 S \* 8/2009 Neil ..... D6/366

D613,084 S \* 4/2010 Wilkinson ..... D6/366  
D673,385 S \* 1/2013 Lu ..... D6/366  
9,332,851 B2 \* 5/2016 Machael ..... A47C 7/44  
D766,605 S \* 9/2016 Li ..... D6/366  
D815,868 S \* 4/2018 Romero ..... D6/716  
D823,018 S \* 7/2018 Li ..... D6/366  
D890,558 S \* 7/2020 Gam ..... D6/716  
D907,382 S \* 1/2021 Newson ..... D6/366  
2012/0025574 A1 \* 2/2012 Wilkinson ..... A47C 7/282  
297/300.1  
2015/0296988 A1 \* 10/2015 Machael ..... A47C 3/20  
297/338

\* cited by examiner

*Primary Examiner* — R. Johnson

(74) *Attorney, Agent, or Firm* — JCIP Global Inc.

(57) **CLAIM**

The ornamental design for a chair, as shown and described.

**DESCRIPTION**

FIG. 1 is a perspective view of a chair showing my new design;

FIG. 2 is a front view thereof;

FIG. 3 is a rear view thereof;

FIG. 4 is a left side view thereof;

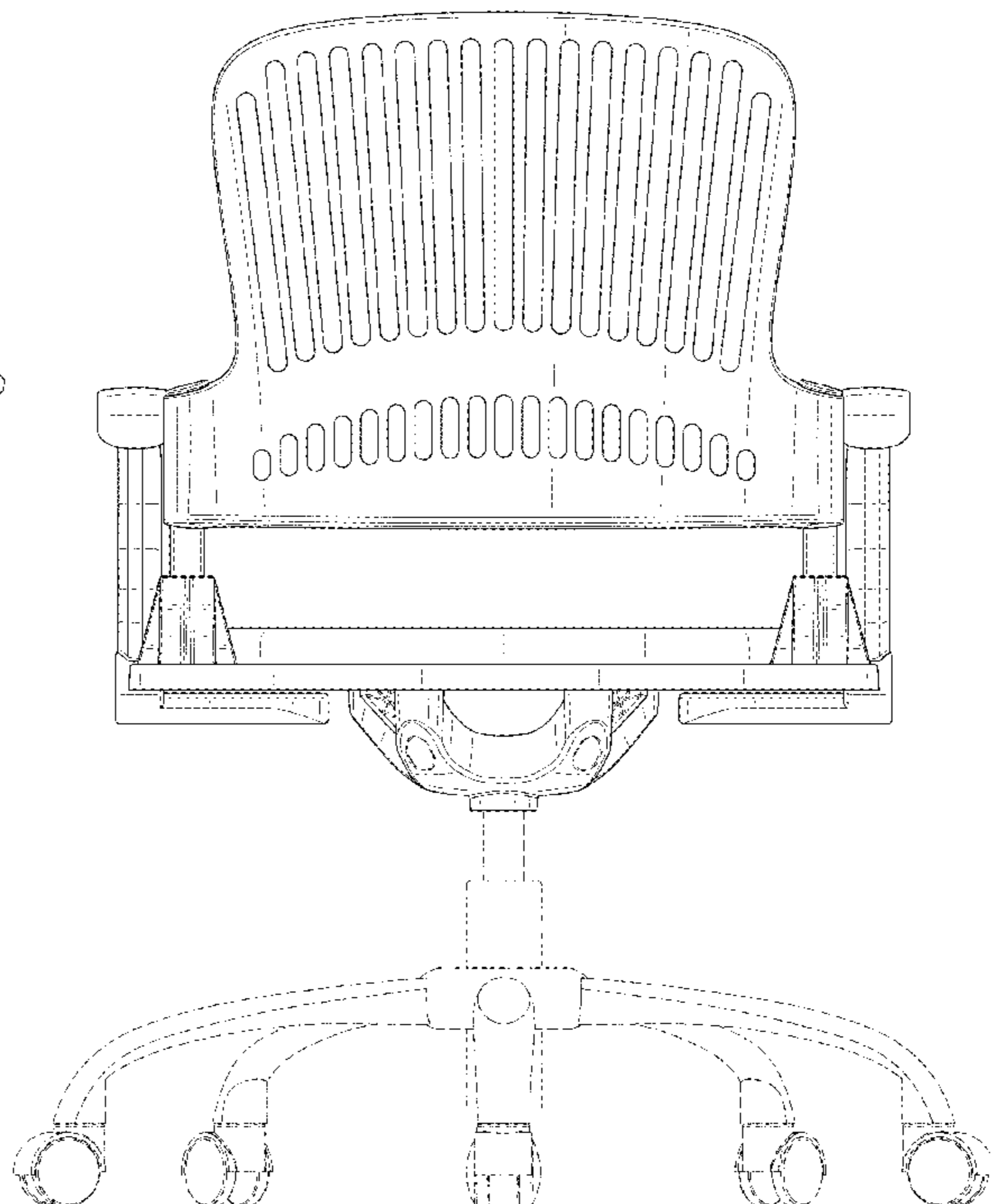
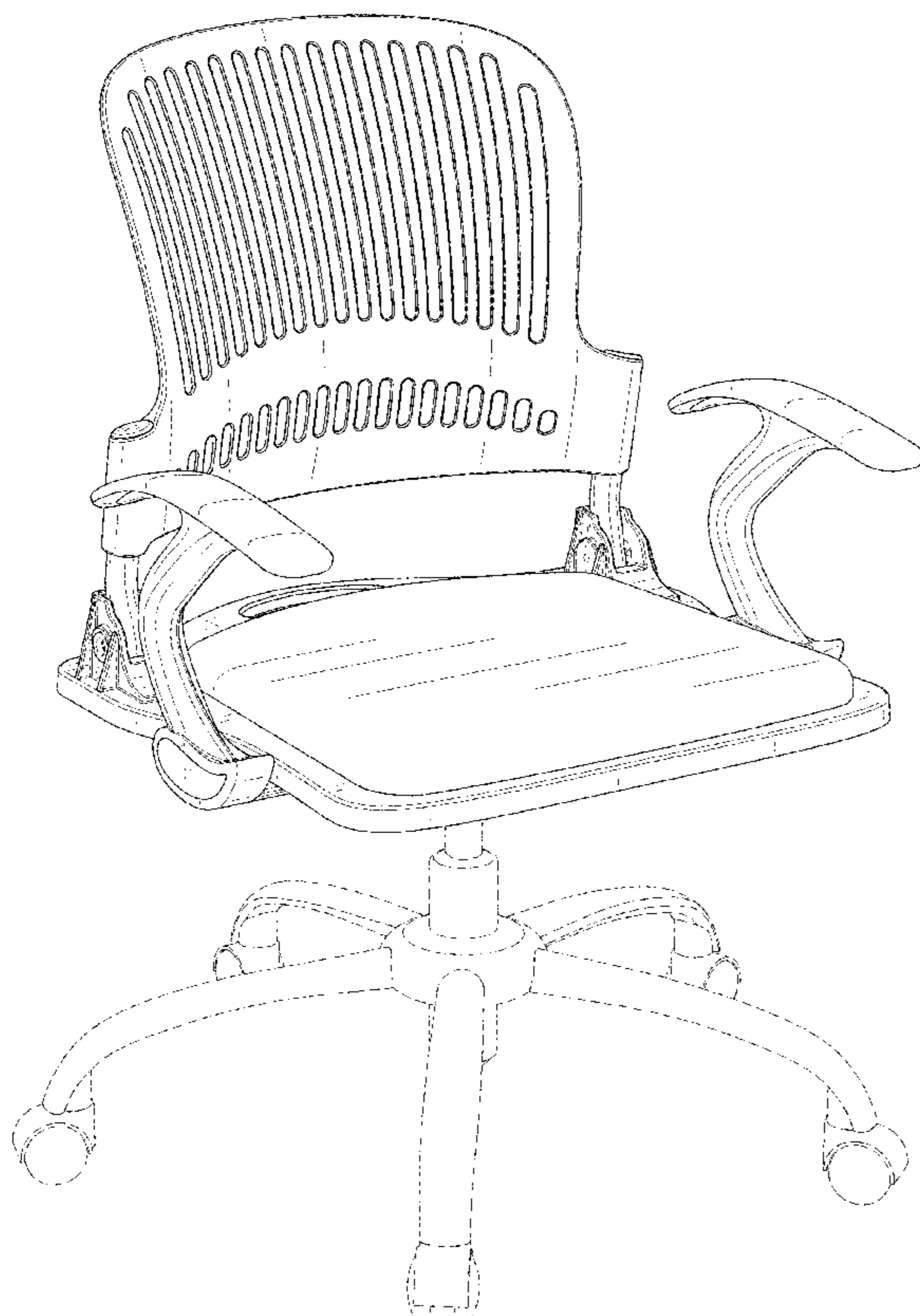
FIG. 5 is a right side view thereof;

FIG. 6 is a top view thereof; and,

FIG. 7 is a bottom view thereof.

The broken lines in FIGS. 1-7 represent the portions of the design that form no part of the claim.

**1 Claim, 7 Drawing Sheets**



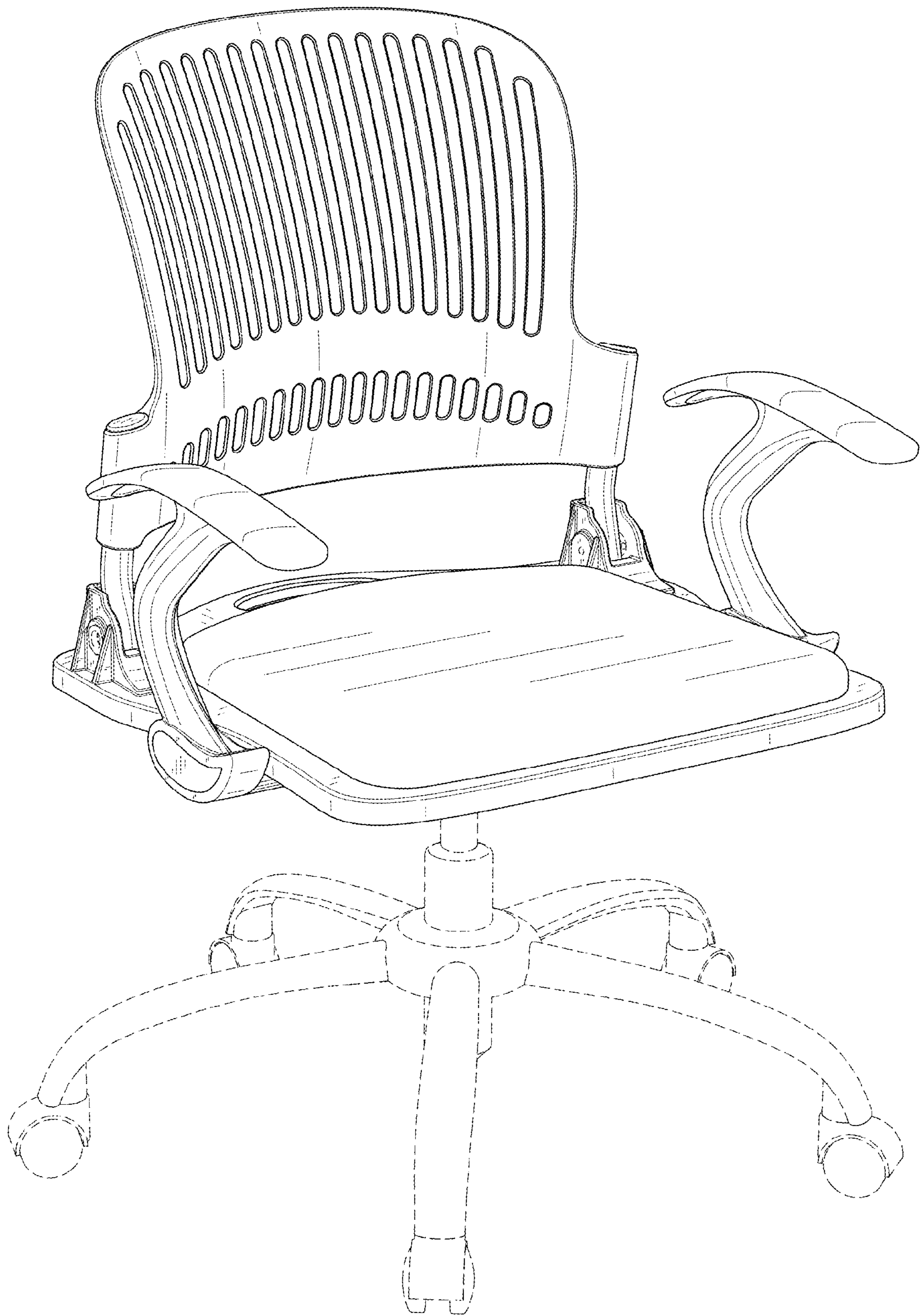


FIG. 1

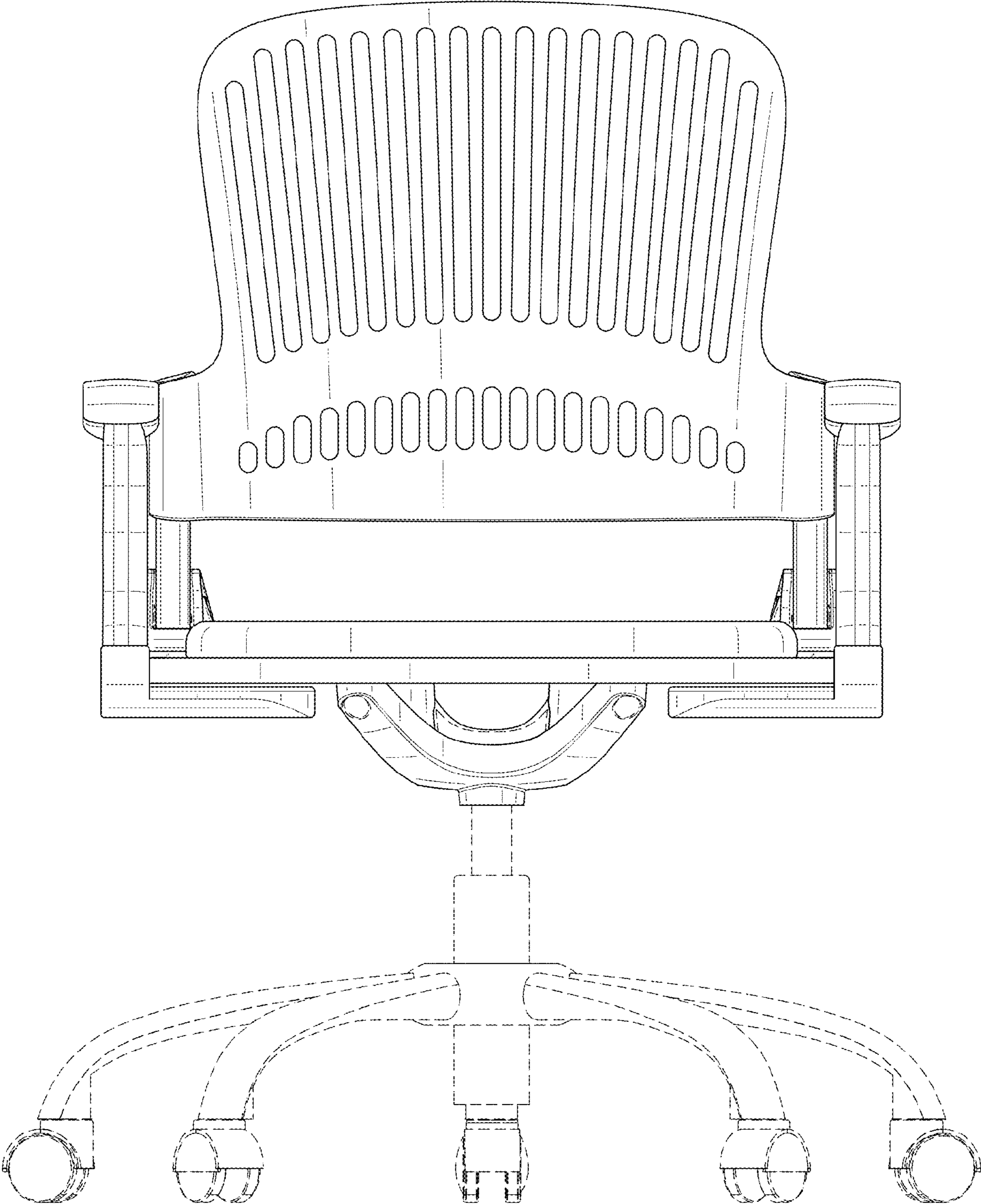


FIG. 2

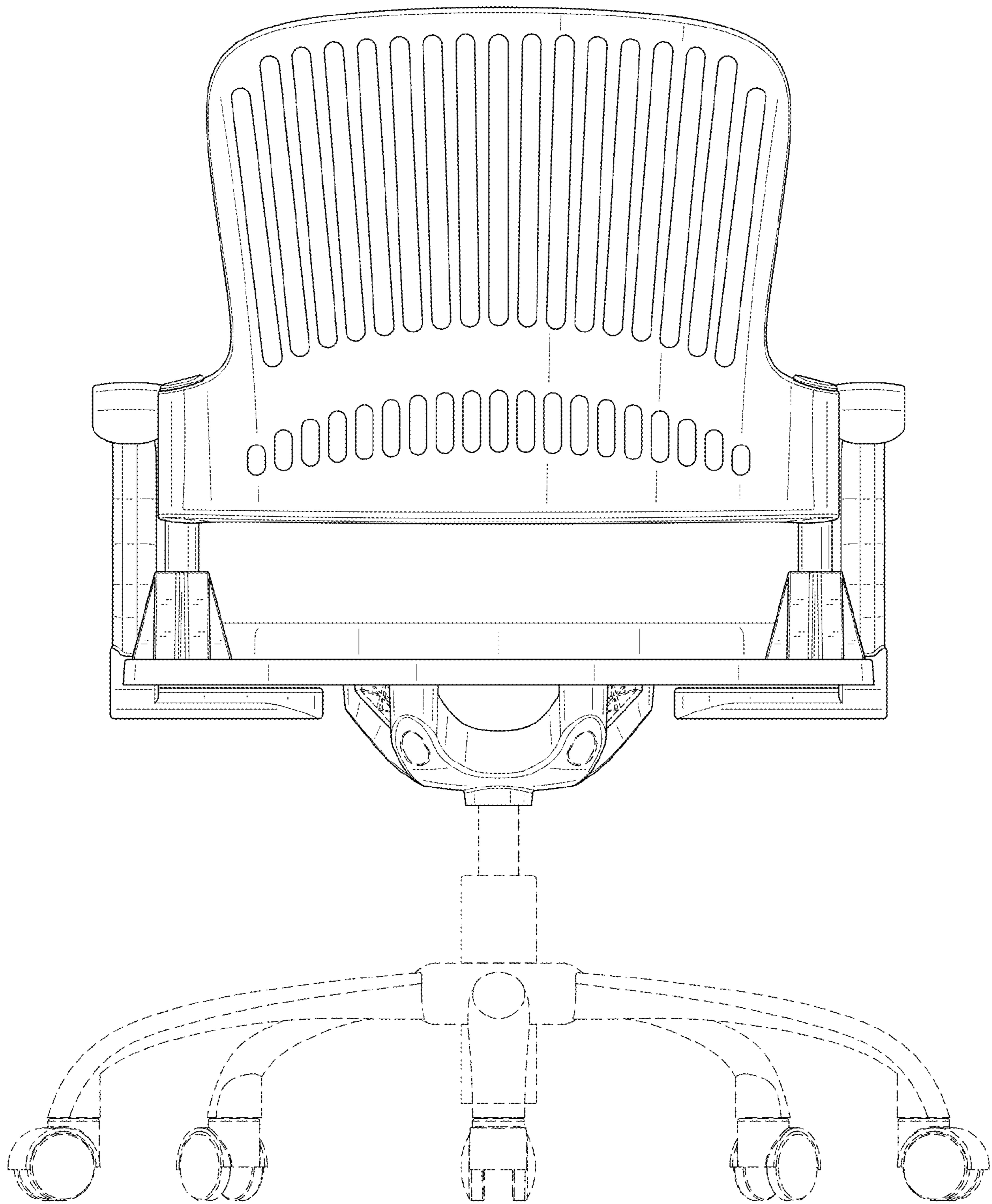


FIG. 3

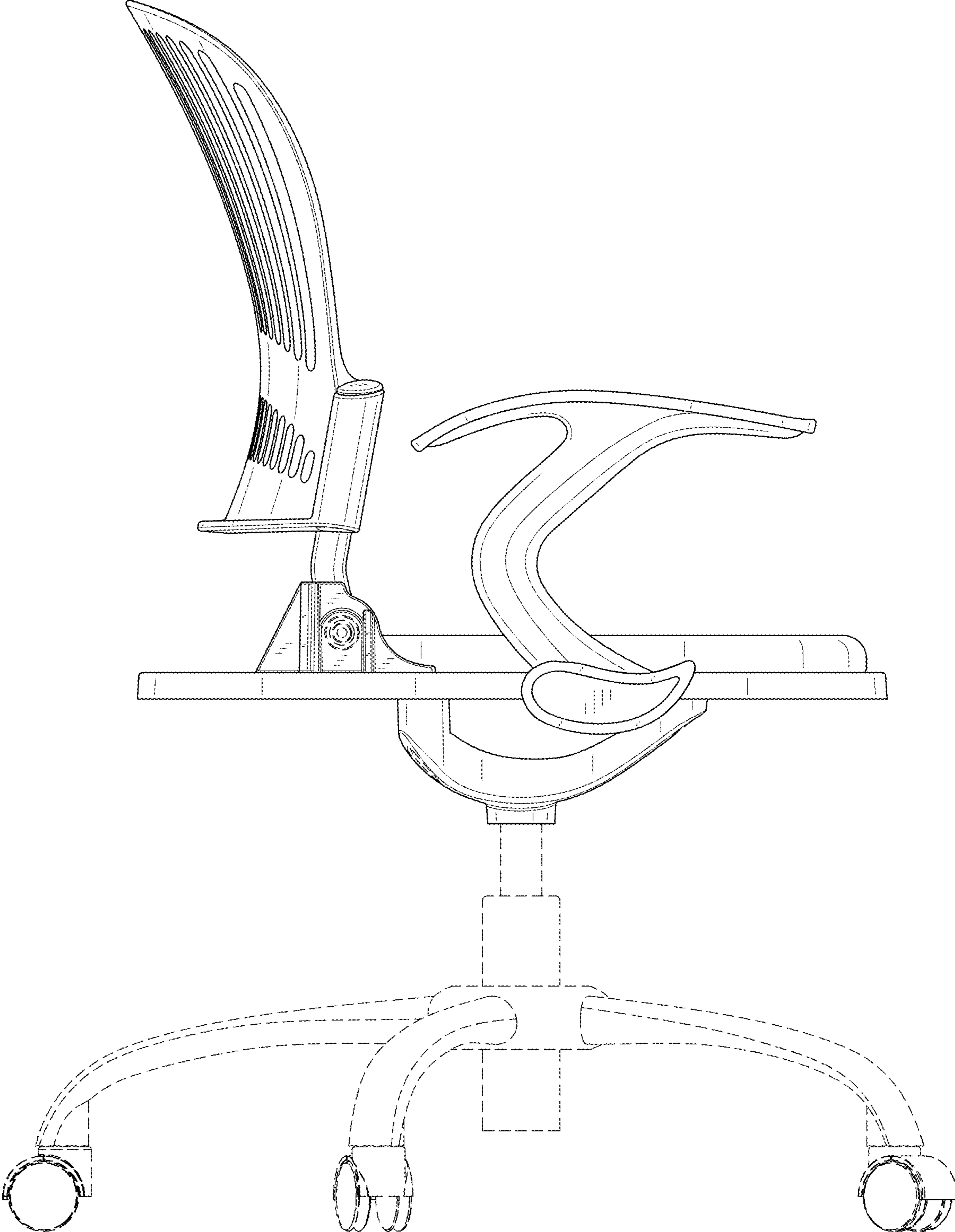


FIG. 4

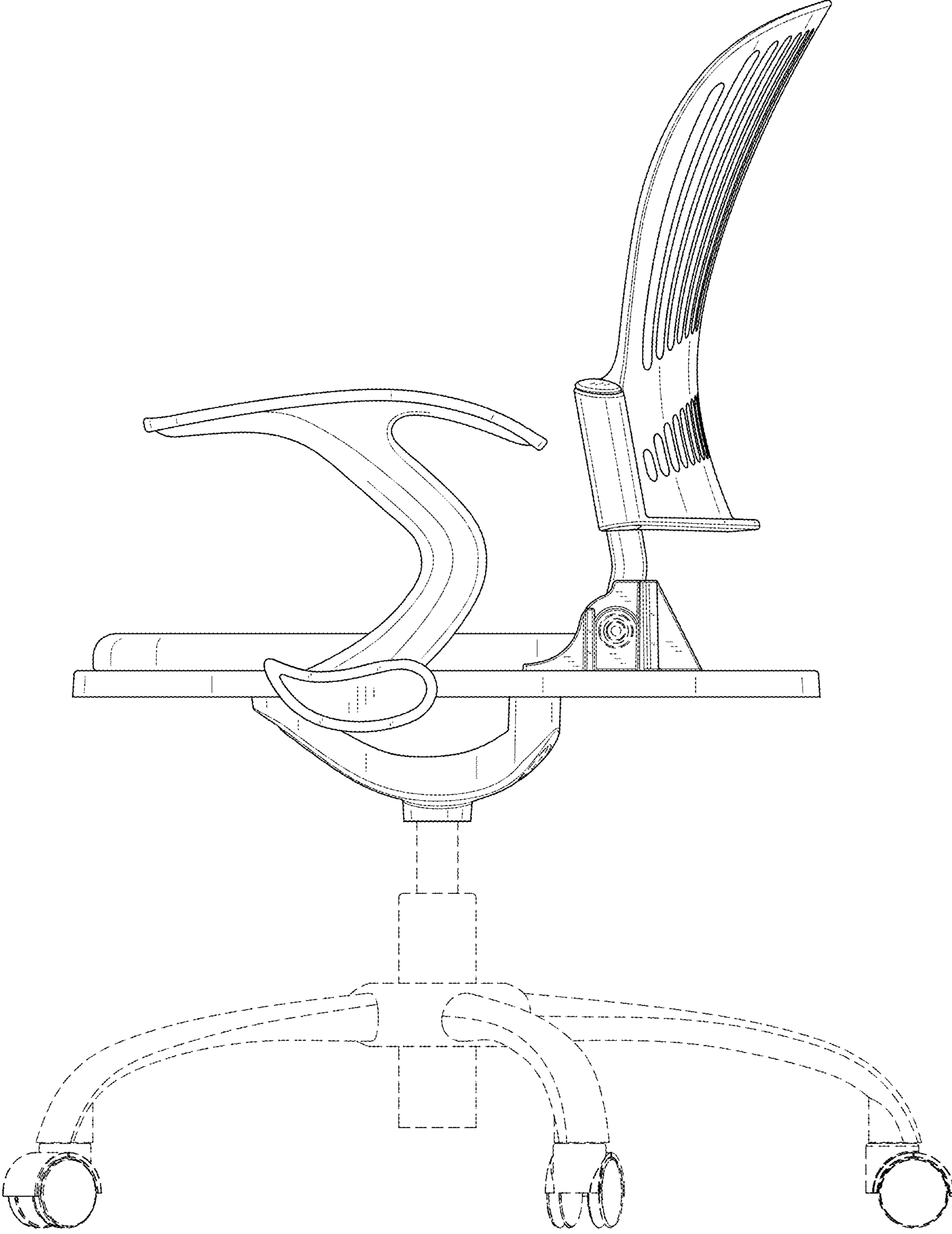


FIG. 5

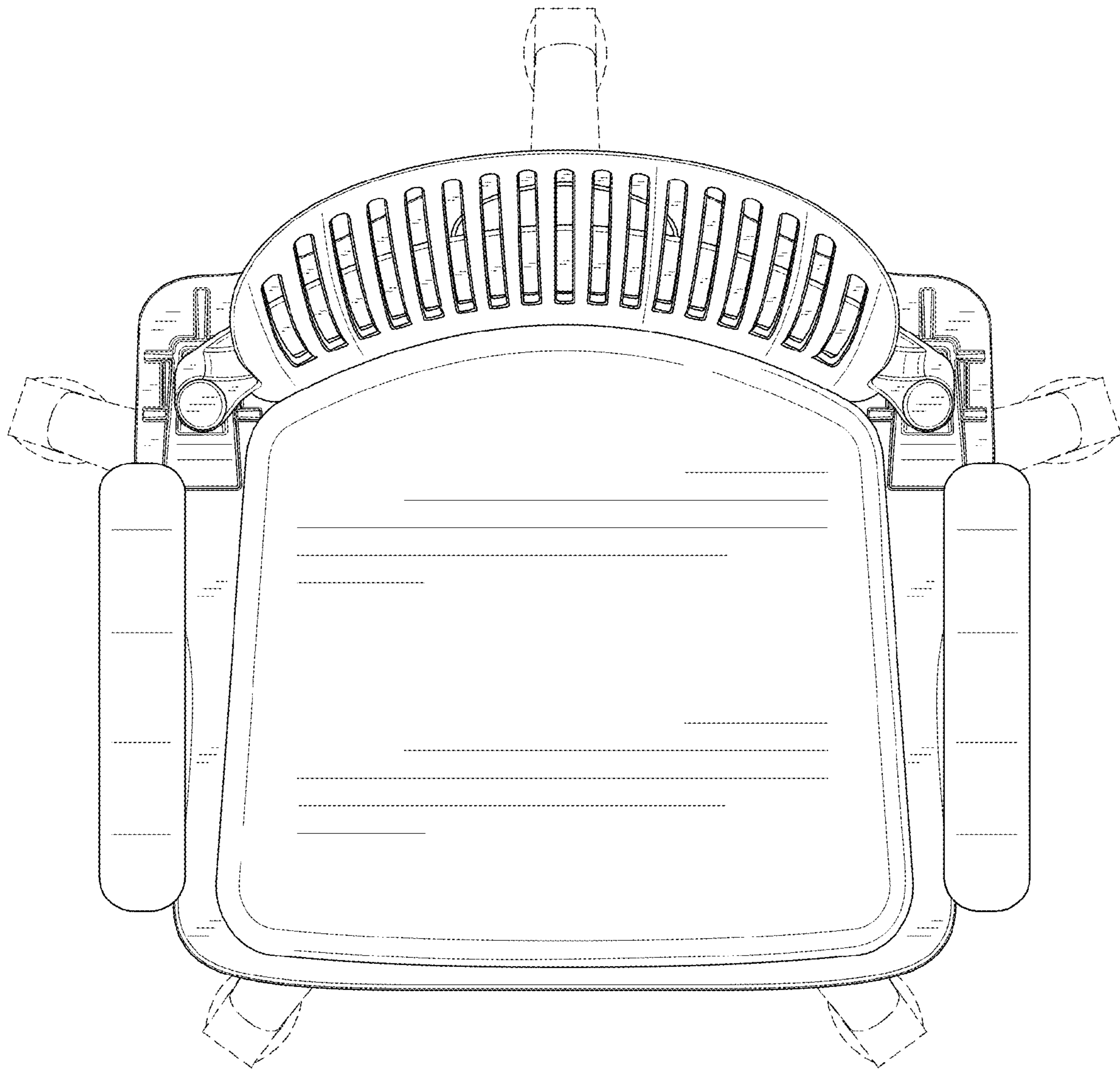


FIG. 6

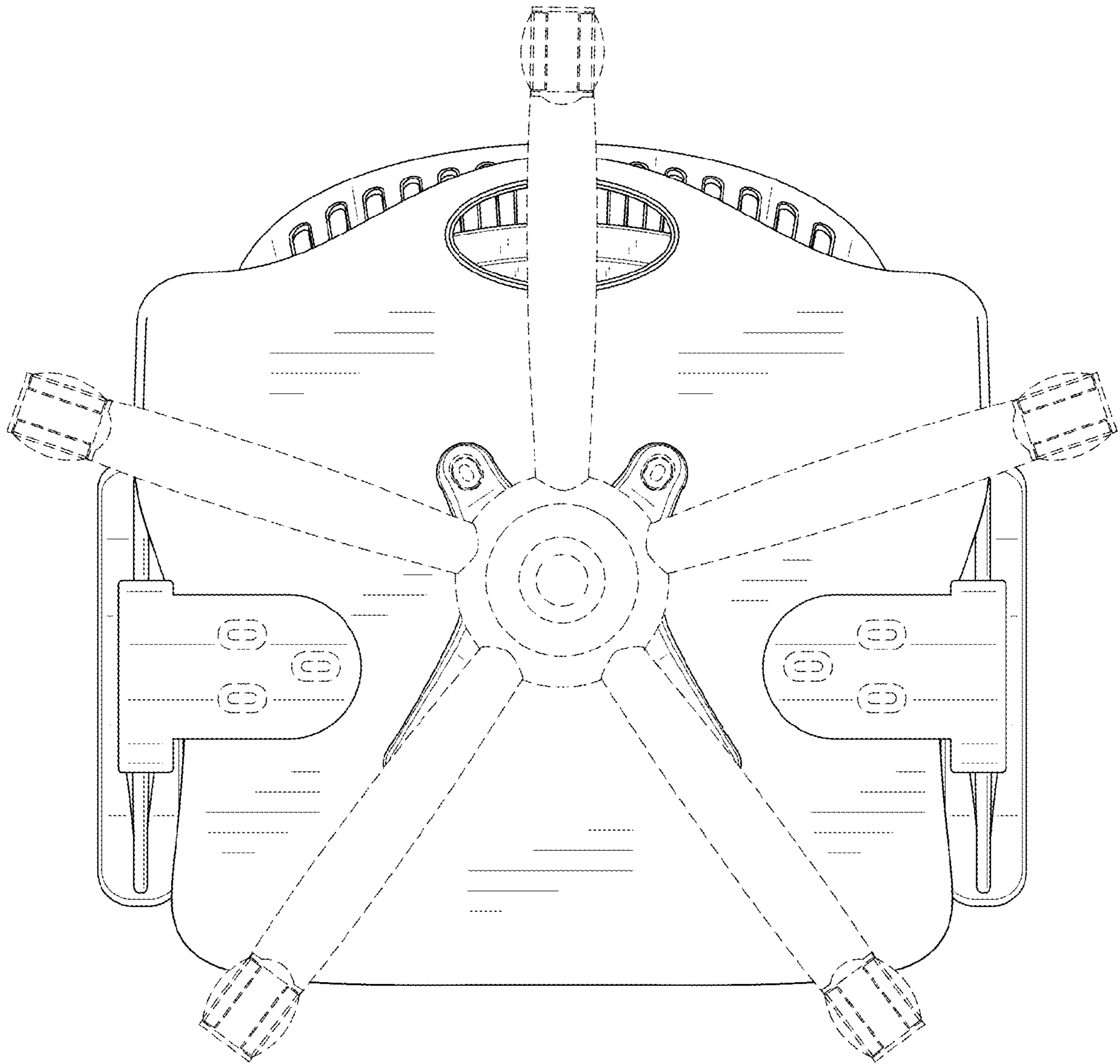


FIG. 7