



US00D924591S

(12) **United States Design Patent**
Shibata

(10) **Patent No.:** **US D924,591 S**
(45) **Date of Patent:** **** Jul. 13, 2021**

(54) **CHAIR**

(71) Applicant: **ITOKI CORPORATION**, Osaka (JP)

(72) Inventor: **Fumie Shibata**, Tokyo (JP)

(73) Assignee: **ITOKI CORPORATION**, Osaka (JP)

(**) Term: **15 Years**

(21) Appl. No.: **29/720,050**

(22) Filed: **Jan. 9, 2020**

(30) **Foreign Application Priority Data**

Jul. 11, 2019 (JP) 2019-015610

(51) **LOC (13) Cl.** **06-01**

(52) **U.S. Cl.**
USPC **D6/366**

(58) **Field of Classification Search**

USPC D6/334, 349, 357, 364, 365, 366, 367,
D6/368, 369, 374, 375, 379, 381, 708.16,
D6/716.1, 716.4, 716.7

CPC A47C 3/12; A47C 3/18; A47C 3/20; A47C
3/26; A47C 5/02; A47C 5/10; A47C 7/24;
A47C 7/36; A47C 7/46; A47C 7/18;
A47C 7/40; A47C 1/03255; A47C 4/42;
A47C 4/44; A47C 11/00; A47C 11/05

See application file for complete search history.

(56) **References Cited**

U.S. PATENT DOCUMENTS

D182,888 S * 5/1958 Forbes D6/369
D183,740 S * 10/1958 Hamilton D6/374

D224,856 S * 10/1972 Charity D6/372
D330,465 S * 10/1992 Balmori D6/369
D331,669 S * 12/1992 Citterio D6/372
D333,739 S * 3/1993 Yeh D6/379
D367,565 S * 3/1996 Yeh D6/374
D814,205 S * 4/2018 Starck D6/380
D899,122 S * 10/2020 Tabuchi D6/360
D903,362 S * 12/2020 Jones D6/380

* cited by examiner

Primary Examiner — R. Johnson

(74) *Attorney, Agent, or Firm* — Faegre Drinker Biddle & Raeth LLP

(57) **CLAIM**

The ornamental design for a chair, as shown and described.

DESCRIPTION

FIG. 1 is a perspective view of the top, rear and left side of a chair showing my new design; FIG. 2 is a front view thereof; FIG. 3 is a rear view thereof; FIG. 4 is a top plan view thereof; FIG. 5 is a bottom view thereof; FIG. 6 is a left view thereof; and, FIG. 7 is a right view thereof.

The claimed design is indicated by the relatively dark portions in the figures. The relatively light portions form no part of the claimed design. The broken dashed lines following the perimeter of the relatively light portions form no part of the claimed design.

1 Claim, 7 Drawing Sheets

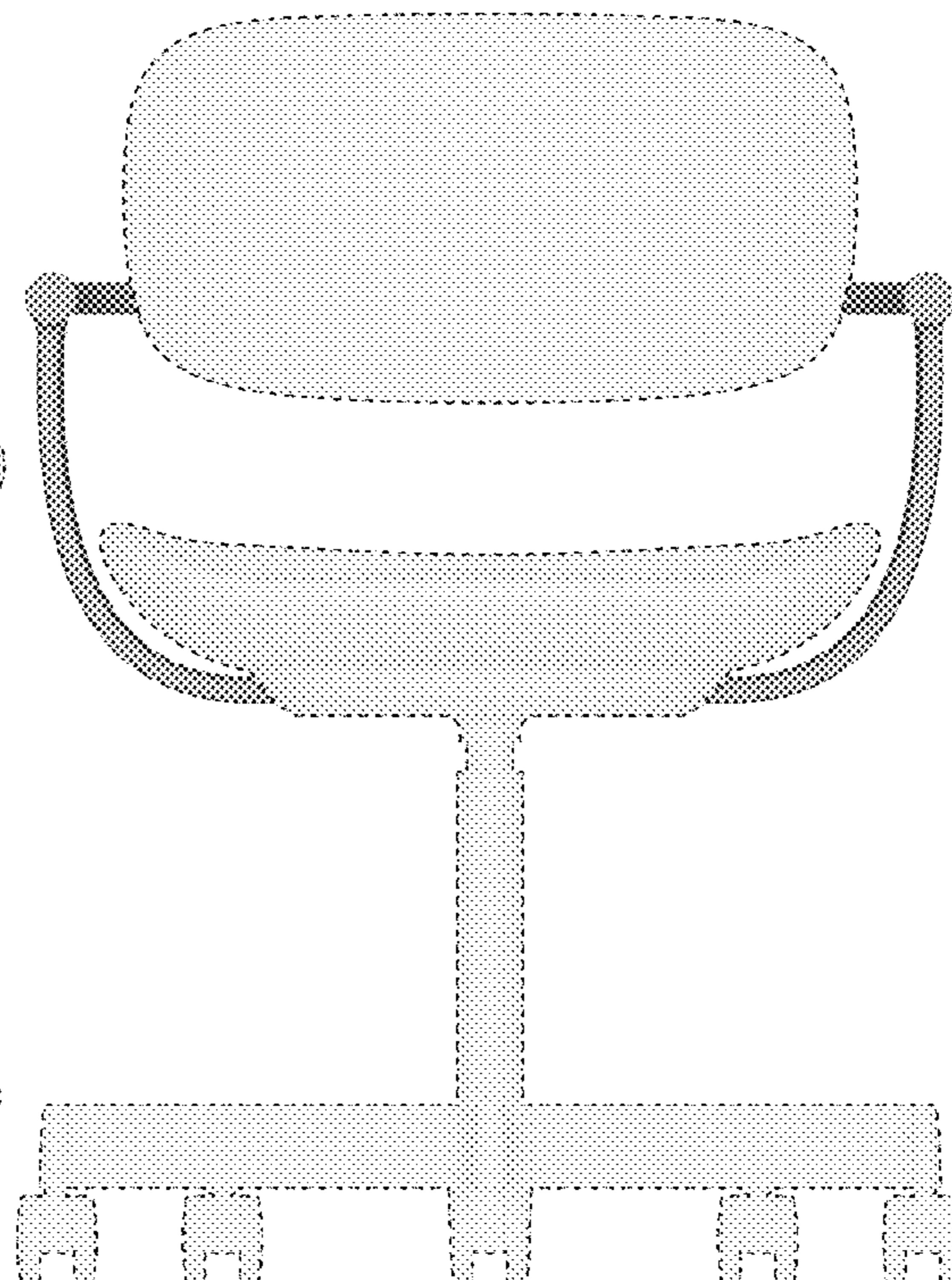
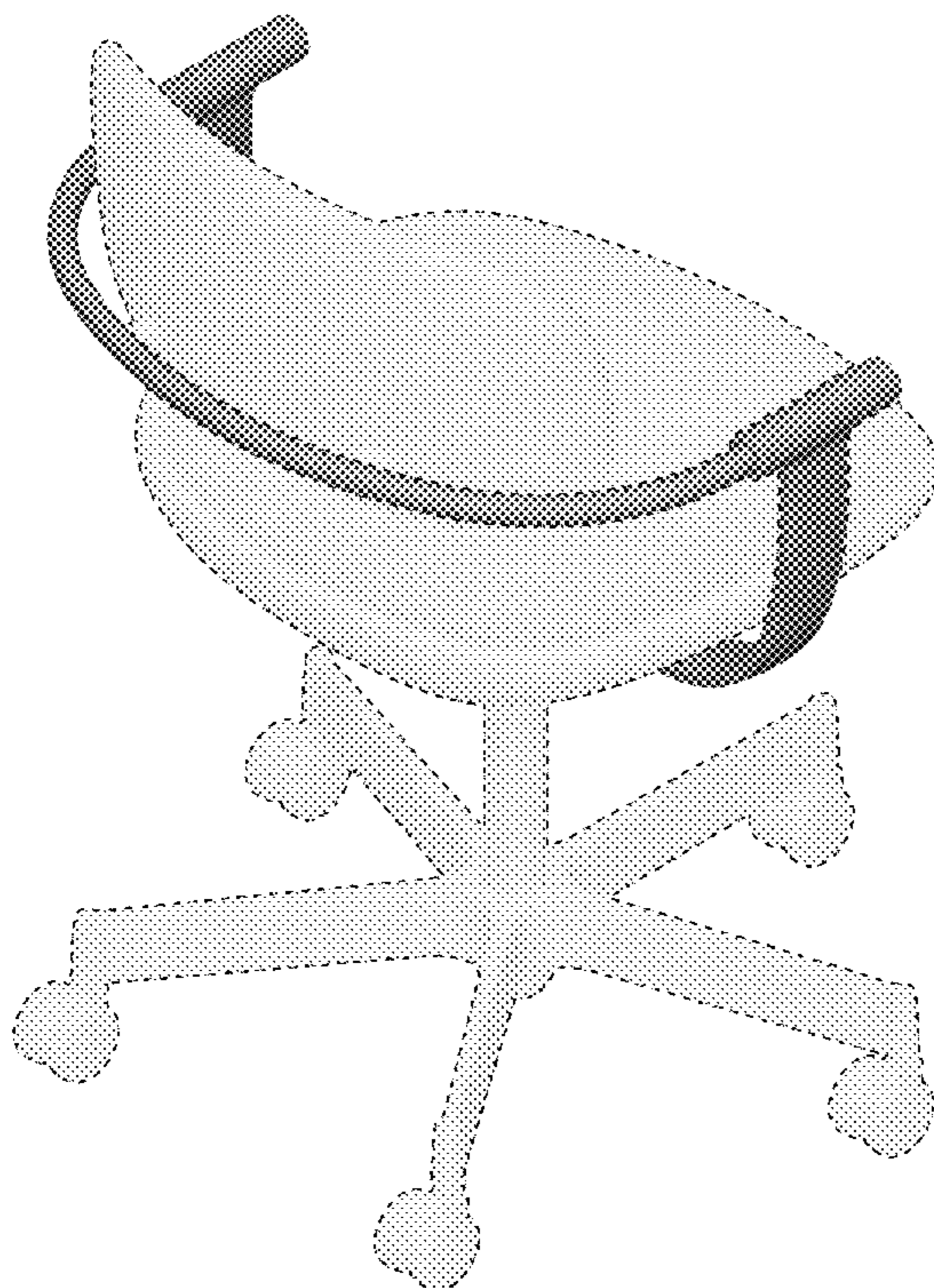


FIG. 1



FIG. 2



FIG. 3

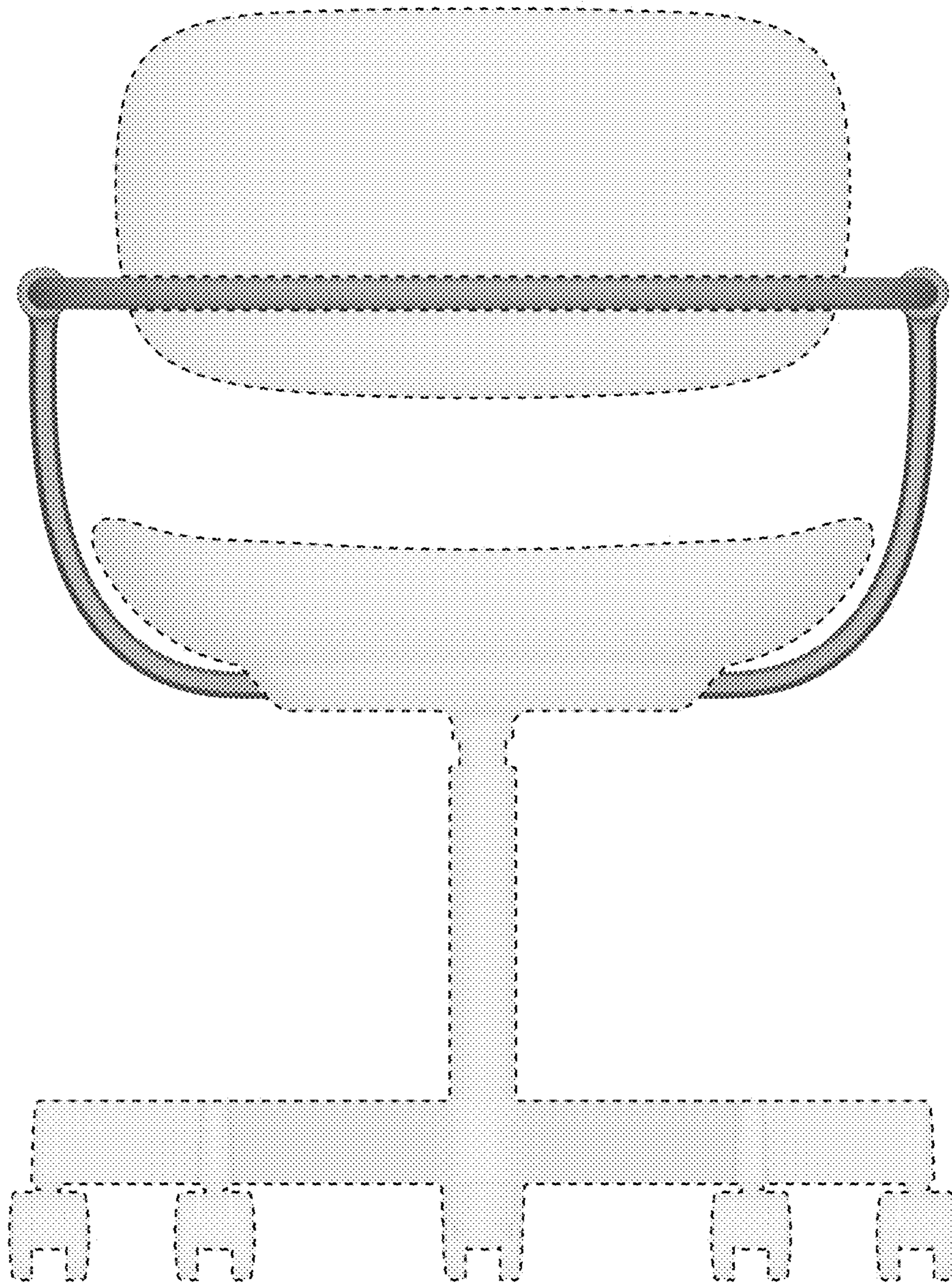


FIG. 4

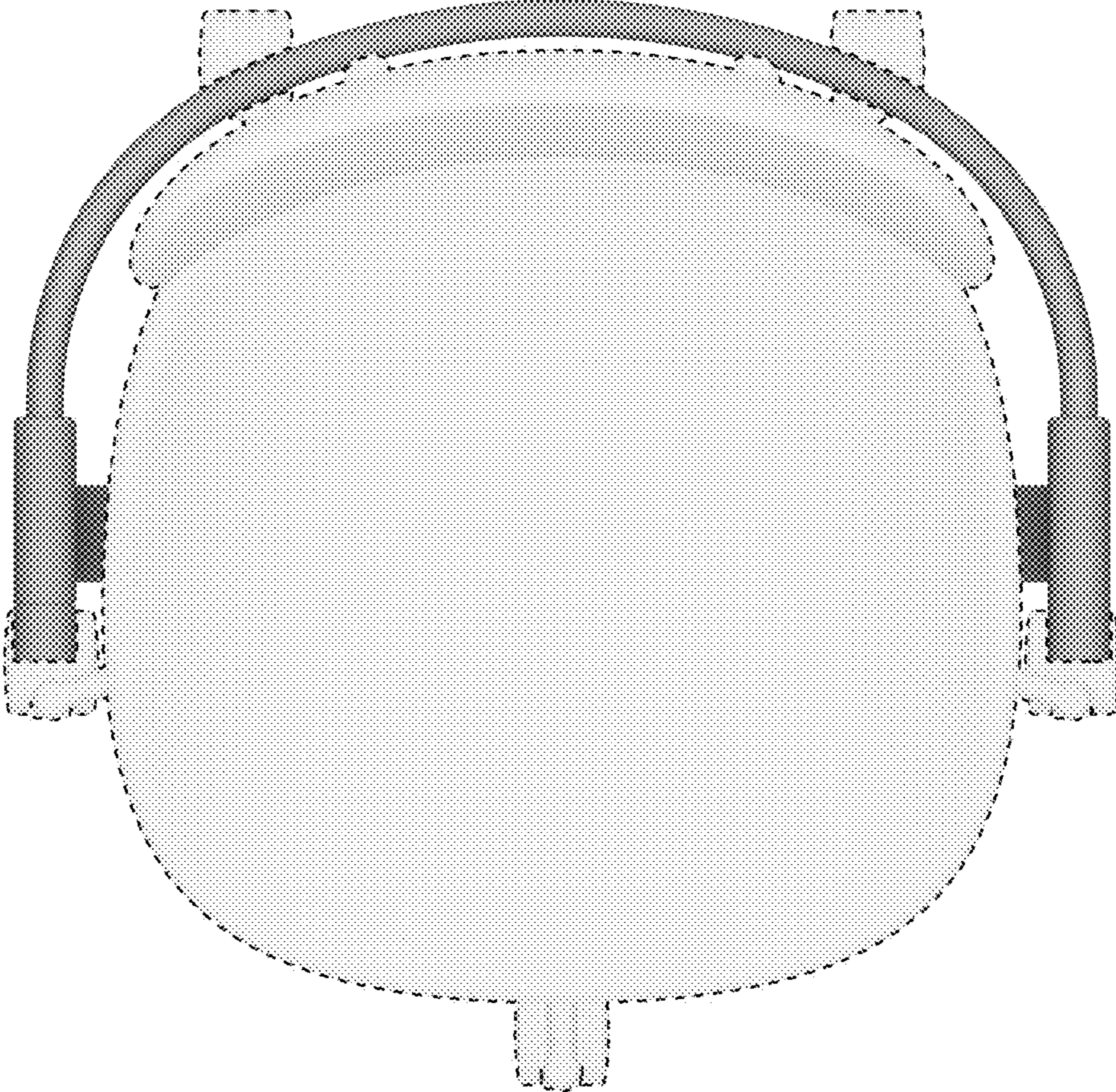


FIG. 5

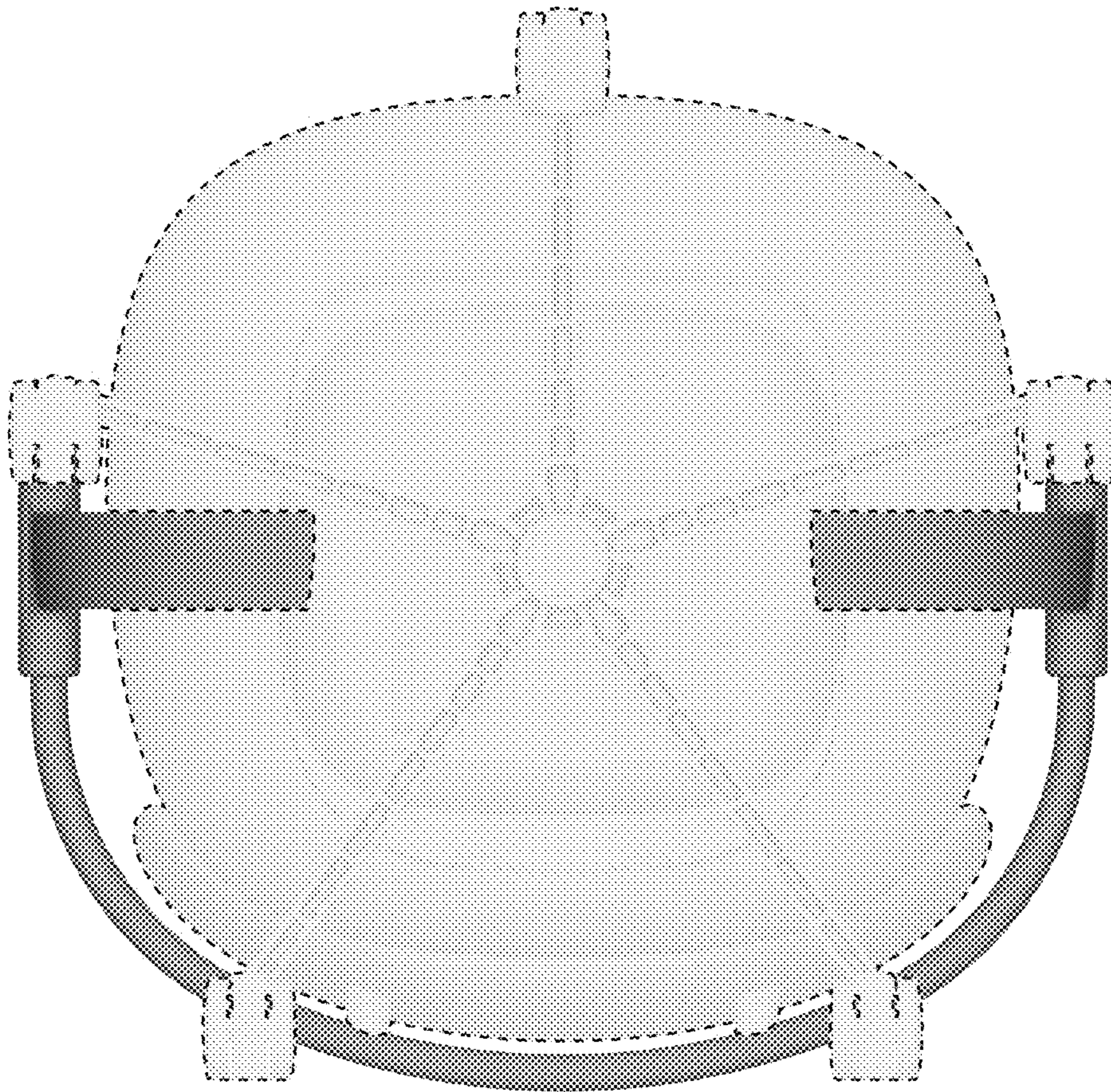


FIG. 6

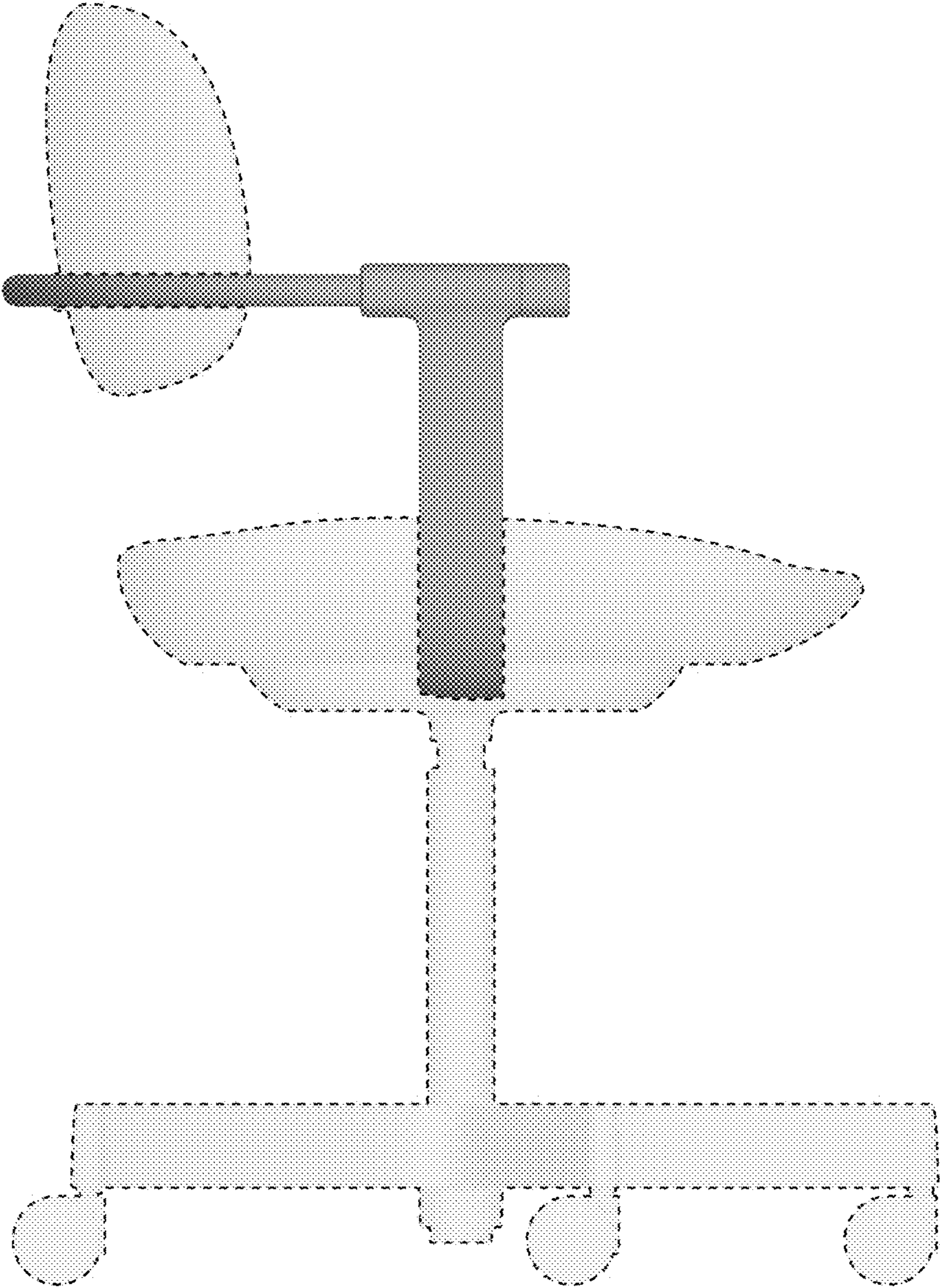


FIG. 7

