



US00D924588S

(12) **United States Design Patent** (10) **Patent No.:** **US D924,588 S**  
**Li** (45) **Date of Patent:** **\*\* Jul. 13, 2021**

(54) **CHAIR**  
(71) Applicant: **39F USA INC**, Rancho Cucamonga, CA (US)  
(72) Inventor: **Yuehai Li**, Rancho Cucamonga, CA (US)  
(\*\*) Term: **15 Years**  
(21) Appl. No.: **29/700,234**  
(22) Filed: **Jul. 31, 2019**  
(51) **LOC (13) Cl.** ..... **06-01**  
(52) **U.S. Cl.**  
USPC ..... **D6/366**  
(58) **Field of Classification Search**  
USPC ..... D6/334-336, 360, 364, 365, 366, 367, D6/372, 373, 374, 375, 716, 716.1, 716.2, D6/716.4, 708.23, 708.24  
CPC .. A47C 3/12; A47C 3/18; A47C 4/028; A47C 7/004; A47C 7/006; A47C 7/022; A47C 7/18; A47C 7/24; A47C 7/40; A47C 7/54; A47C 5/12; A47C 7/16  
See application file for complete search history.

D899,799 S \* 10/2020 Li ..... D6/366  
D903,361 S \* 12/2020 Garcia Lax ..... D6/375  
D905,995 S \* 12/2020 Li ..... D6/374  
D906,708 S \* 1/2021 Li ..... D6/366  
D906,712 S \* 1/2021 Li ..... D6/366

**OTHER PUBLICATIONS**

ORVEAY Home Office Chair, Grey. Date first available on Amazon.com Nov. 17, 2020. [https://www.amazon.com/ORVEAY-Upholstered-Computer-Adjustable-Conference/dp/B08NPGTCJX/ref=sr\\_1\\_57?\\_encoding=UTF8&c=ts&dchild=1&keywords=Home+Office+Desk+Chairs&qid=1611781034&s=furniture&sr=1-57&ts\\_id=3733721](https://www.amazon.com/ORVEAY-Upholstered-Computer-Adjustable-Conference/dp/B08NPGTCJX/ref=sr_1_57?_encoding=UTF8&c=ts&dchild=1&keywords=Home+Office+Desk+Chairs&qid=1611781034&s=furniture&sr=1-57&ts_id=3733721) (Year: 2020).\*

\* cited by examiner

*Primary Examiner* — Mimosa De  
(74) *Attorney, Agent, or Firm* — Feng Qian

(57) **CLAIM**

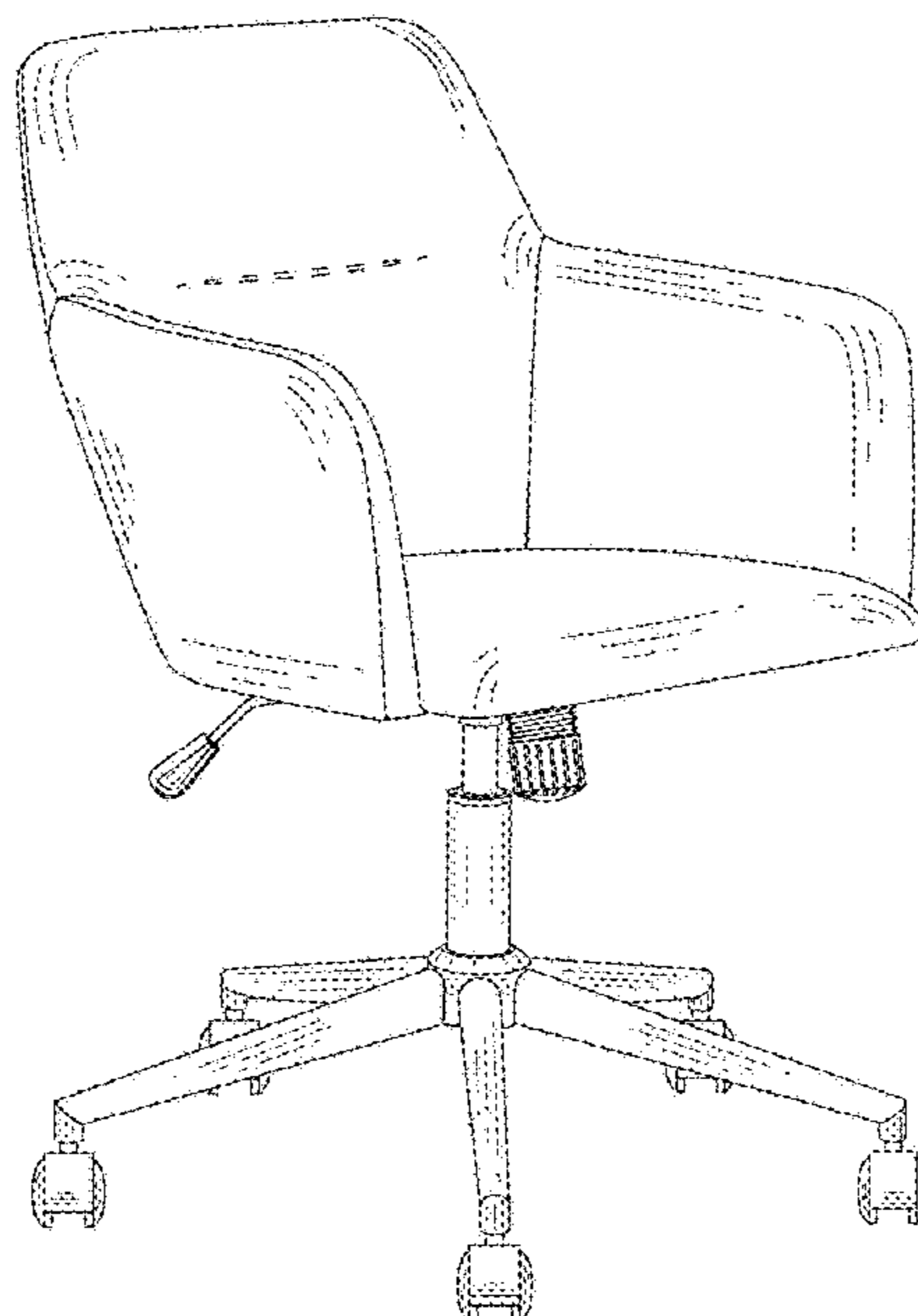
The ornamental design for a chair, as shown and described.

**DESCRIPTION**

FIG. 1 is a front perspective view of a chair showing my new design;  
FIG. 2 is a front elevation view thereof;  
FIG. 3 is a rear elevation view thereof;  
FIG. 4 is a left-side elevation view thereof;  
FIG. 5 is a right-side elevation view thereof;  
FIG. 6 is a top plan view thereof; and,  
FIG. 7 is a bottom plan view thereof.  
The broken lines shown in the drawings are for the purpose of illustrating portions of the article, and form no part of the claimed design.

**1 Claim, 7 Drawing Sheets**

(56) **References Cited**  
U.S. PATENT DOCUMENTS  
3,521,929 A \* 7/1970 Pearson ..... A47C 7/18  
297/452.14  
D237,662 S \* 11/1975 Subert ..... D6/334  
D288,506 S \* 3/1987 Ochsner ..... D6/375  
D579,224 S \* 10/2008 Fancelli ..... D6/372  
D664,381 S \* 7/2012 Kubryk ..... D6/716  
D817,056 S \* 5/2018 Neil ..... D6/716  
D849,434 S \* 5/2019 Hale ..... D6/364  
D860,668 S \* 9/2019 Magnusson ..... D6/366  
D867,780 S \* 11/2019 Krusin ..... D6/374  
D871,788 S \* 1/2020 Gori ..... D6/360  
D886,484 S \* 6/2020 Li ..... D6/374



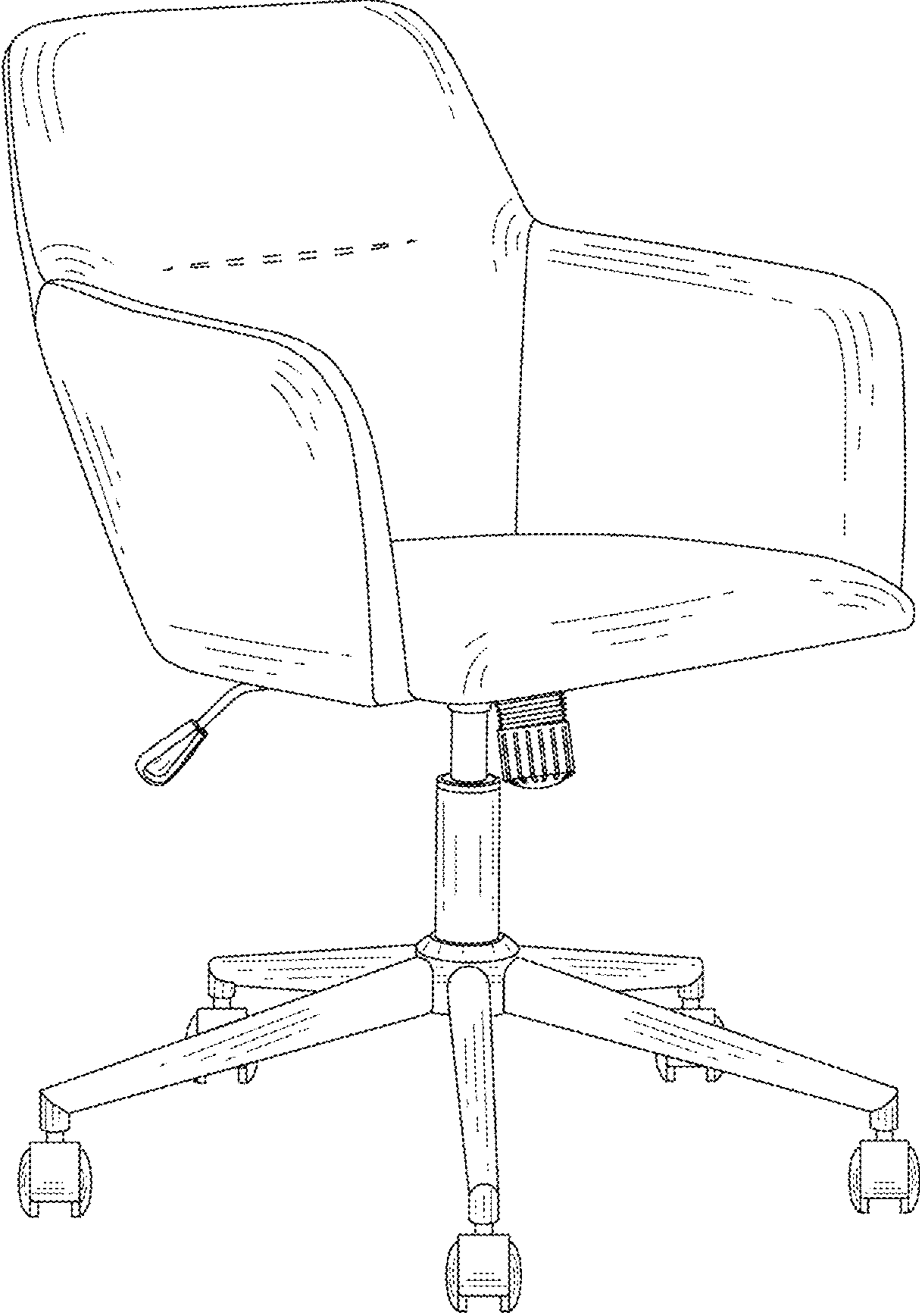


Fig.1

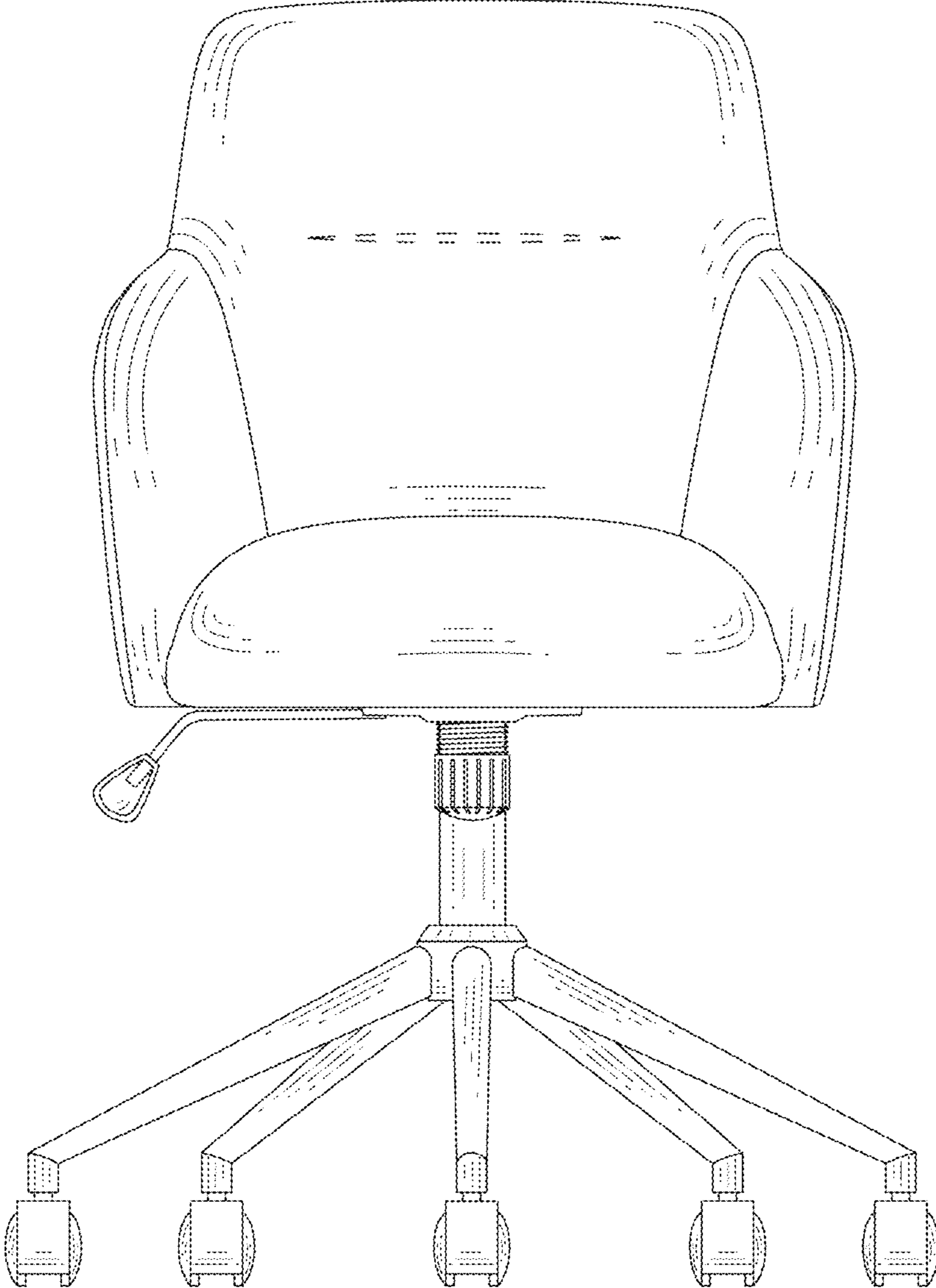


Fig.2

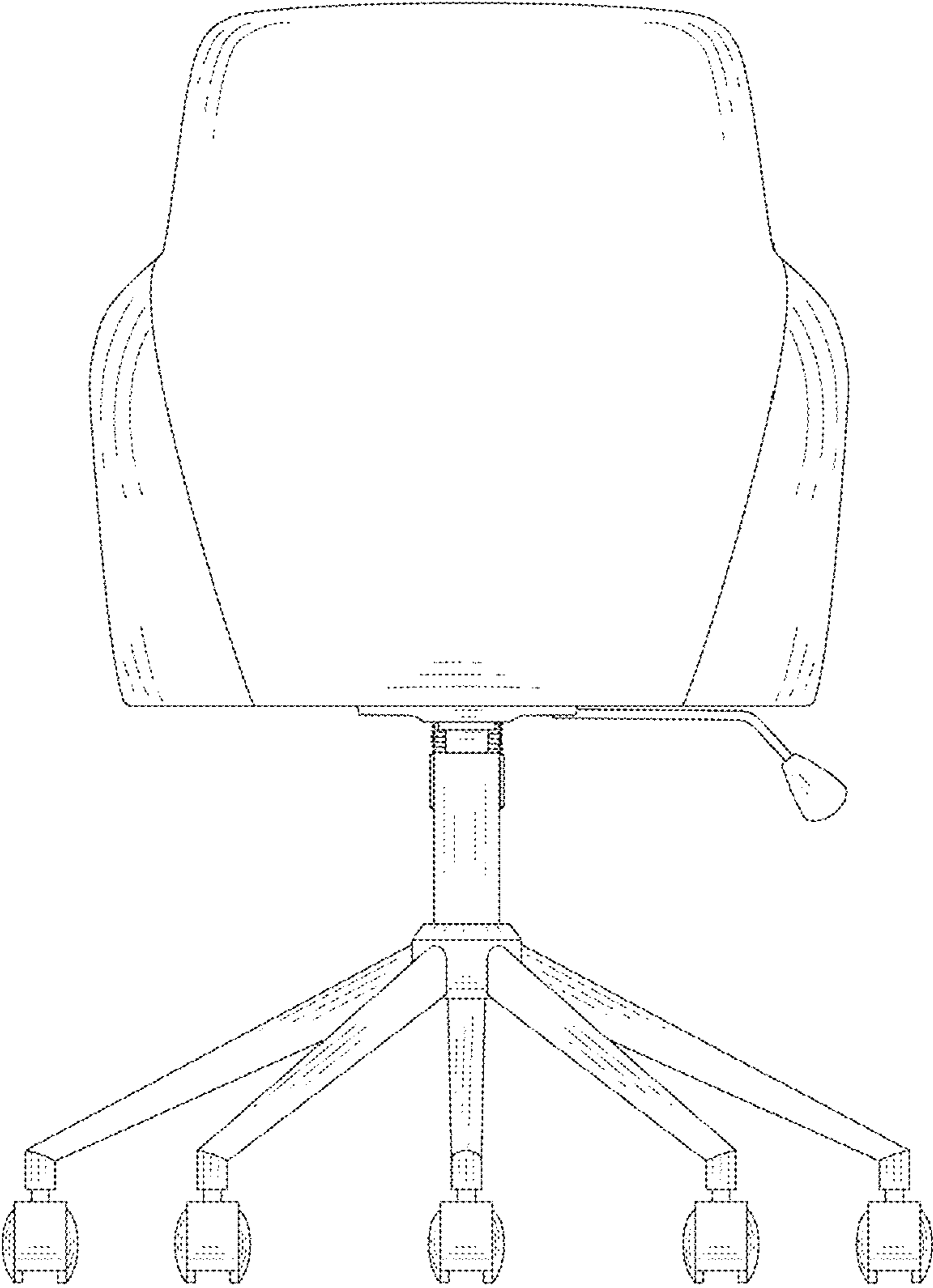


Fig.3

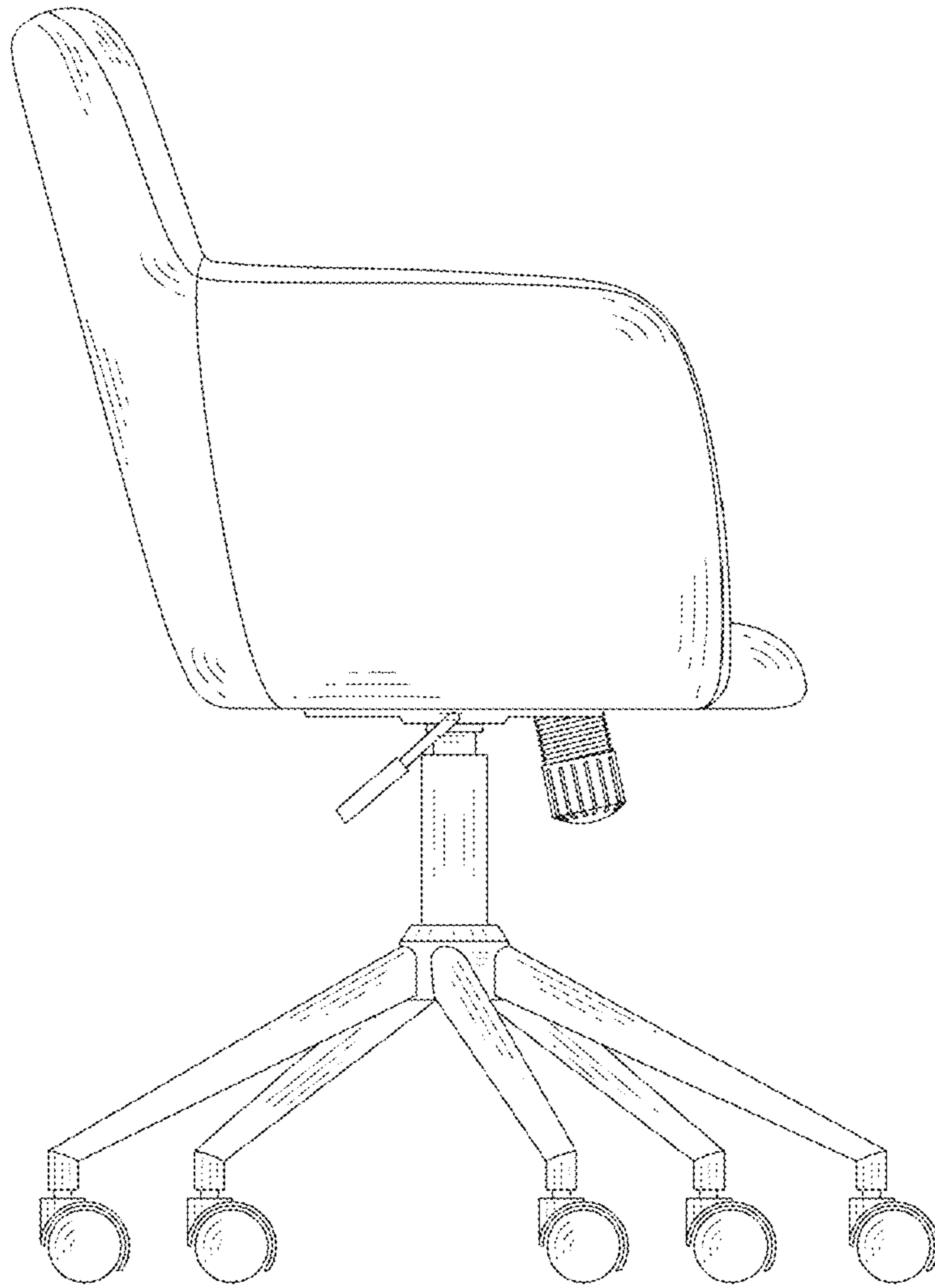


Fig.4

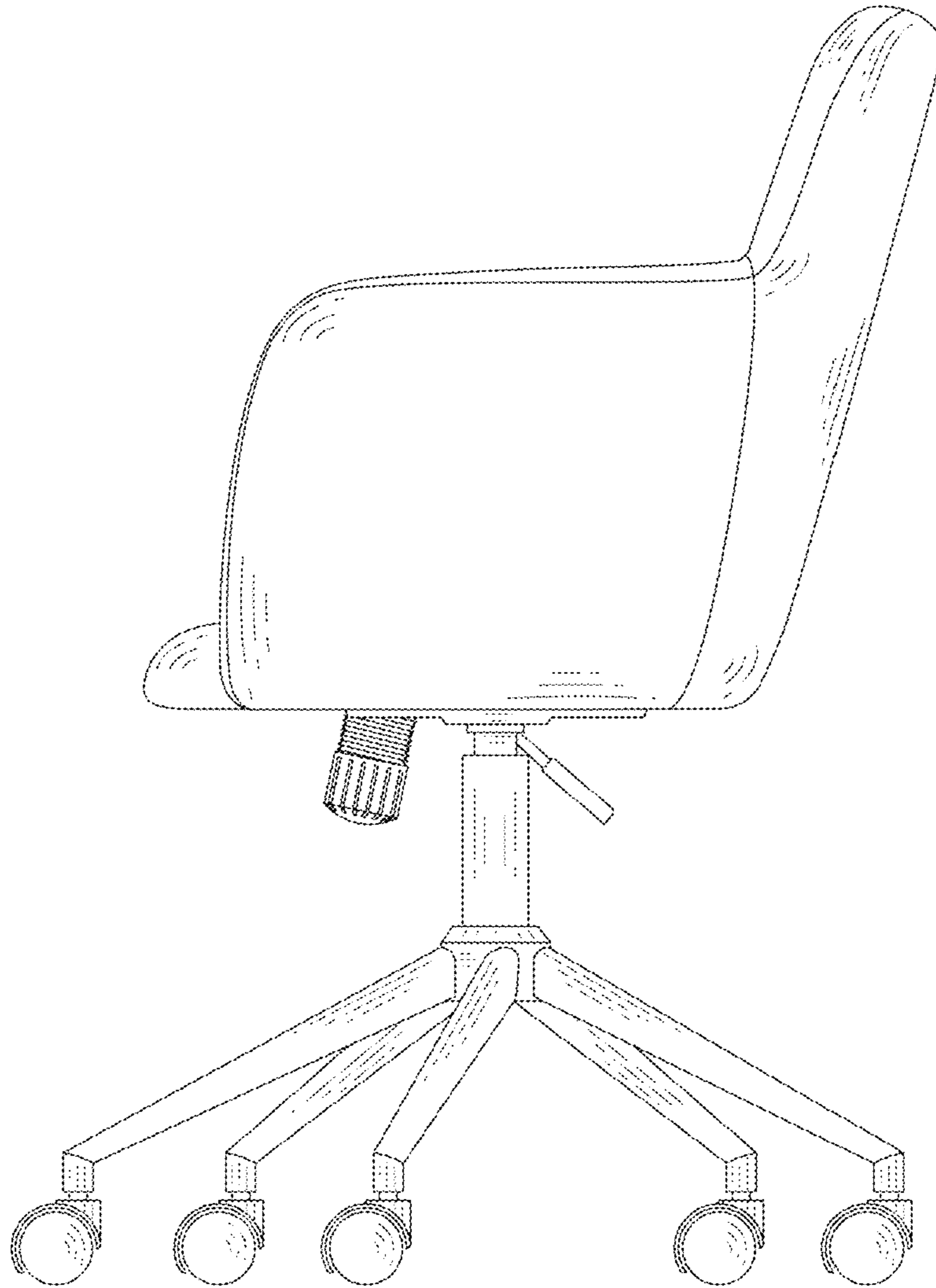


Fig.5

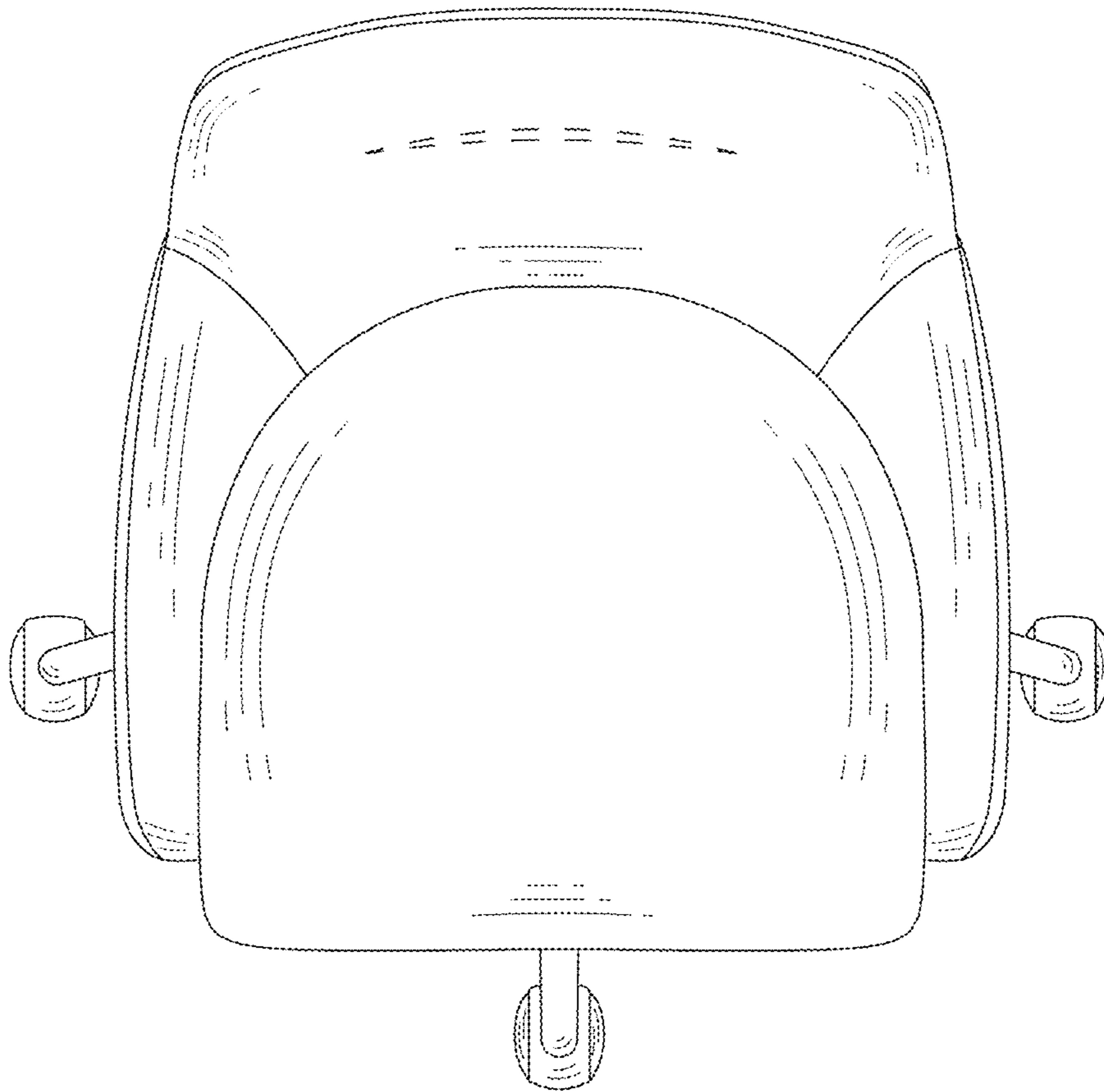


Fig.6

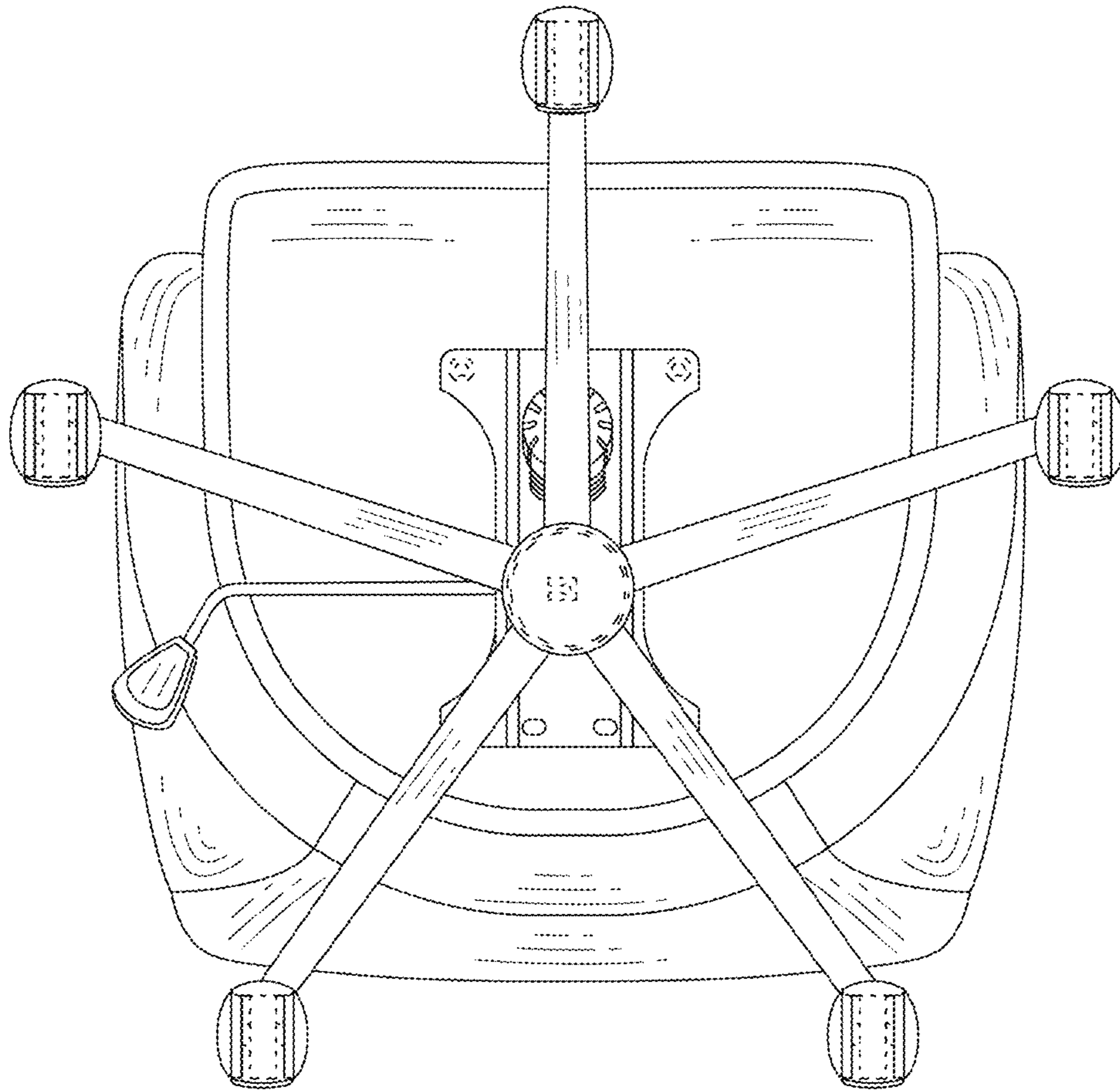


Fig.7