



US00D924587S

(12) **United States Design Patent** (10) **Patent No.:** **US D924,587 S**
Li (45) **Date of Patent:** **** Jul. 13, 2021**

(54) **CHAIR**
(71) Applicant: **39F USA INC**, Rancho Cucamonga, CA (US)
(72) Inventor: **Yuehai Li**, Rancho Cucamonga, CA (US)
(**) Term: **15 Years**
(21) Appl. No.: **29/700,230**
(22) Filed: **Jul. 31, 2019**
(51) **LOC (13) Cl.** **06-01**
(52) **U.S. Cl.**
USPC **D6/366**
(58) **Field of Classification Search**
USPC D6/334-336, 364, 365, 366, 367, 372, D6/373, 374, 375, 716, 716.1, 716.2, D6/716.4, 708.23, 708.24
CPC .. A47C 3/12; A47C 3/18; A47C 4/028; A47C 7/004; A47C 7/006; A47C 7/18; A47C 7/24; A47C 7/40; A47C 7/54; A47C 5/12; A47C 7/16; A47C 3/20; A47C 3/24
See application file for complete search history.

D660,054 S * 5/2012 Kane D6/716
D660,055 S * 5/2012 Kane D6/716
D688,484 S * 8/2013 Starck D6/375
D729,563 S * 5/2015 Kubryk D6/716
D757,475 S * 5/2016 Lievore D6/716
D758,749 S * 6/2016 Lievore D6/366
D758,750 S * 6/2016 Lievore D6/366
D758,751 S * 6/2016 Lievore D6/366
D763,589 S * 8/2016 Mion D6/375
D880,884 S * 4/2020 Li D6/366
D885,073 S * 5/2020 Wang D6/374

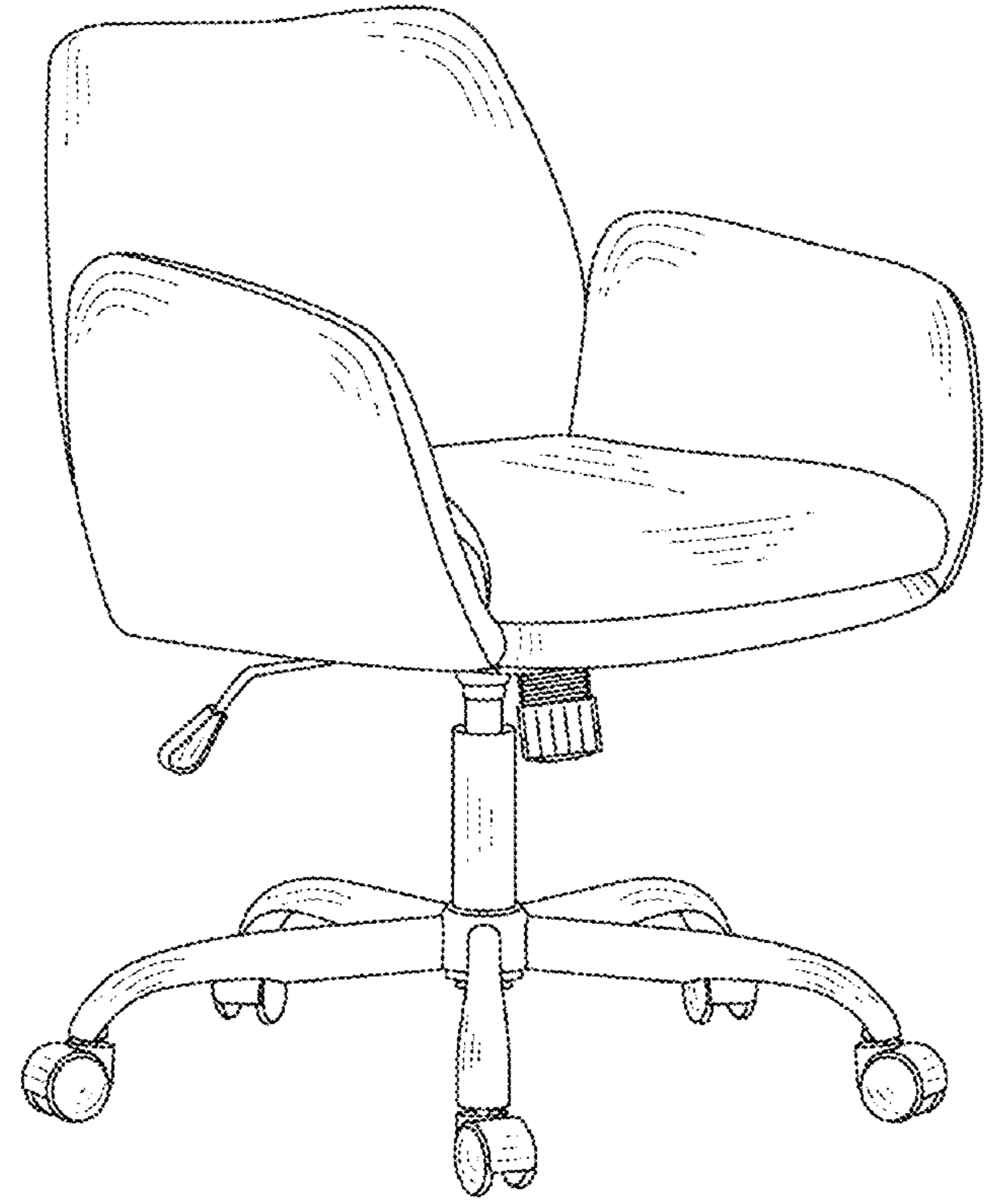
* cited by examiner
Primary Examiner — Mimosa De
(74) *Attorney, Agent, or Firm* — Feng Qian

(57) **CLAIM**
The ornamental design for a chair, as shown and described.

DESCRIPTION
FIG. 1 is a front perspective view of a chair showing my new design;
FIG. 2 is a front elevation view thereof;
FIG. 3 is a rear elevation view thereof;
FIG. 4 is a left-side elevation view thereof;
FIG. 5 is a right-side elevation view thereof;
FIG. 6 is a top plan view thereof; and,
FIG. 7 is a bottom plan view thereof.
The broken lines shown in the drawings are for the purpose of illustrating portions of the article, and form no part of the claimed design.

(56) **References Cited**
U.S. PATENT DOCUMENTS
D233,809 S * 12/1974 Platner D6/366
D236,302 S * 8/1975 Prizlow D6/366
D240,478 S * 7/1976 Sklaroff D6/366
D336,169 S * 6/1993 Diaz-Azcuy D6/334
D645,672 S * 9/2011 Lievore D6/366

1 Claim, 7 Drawing Sheets



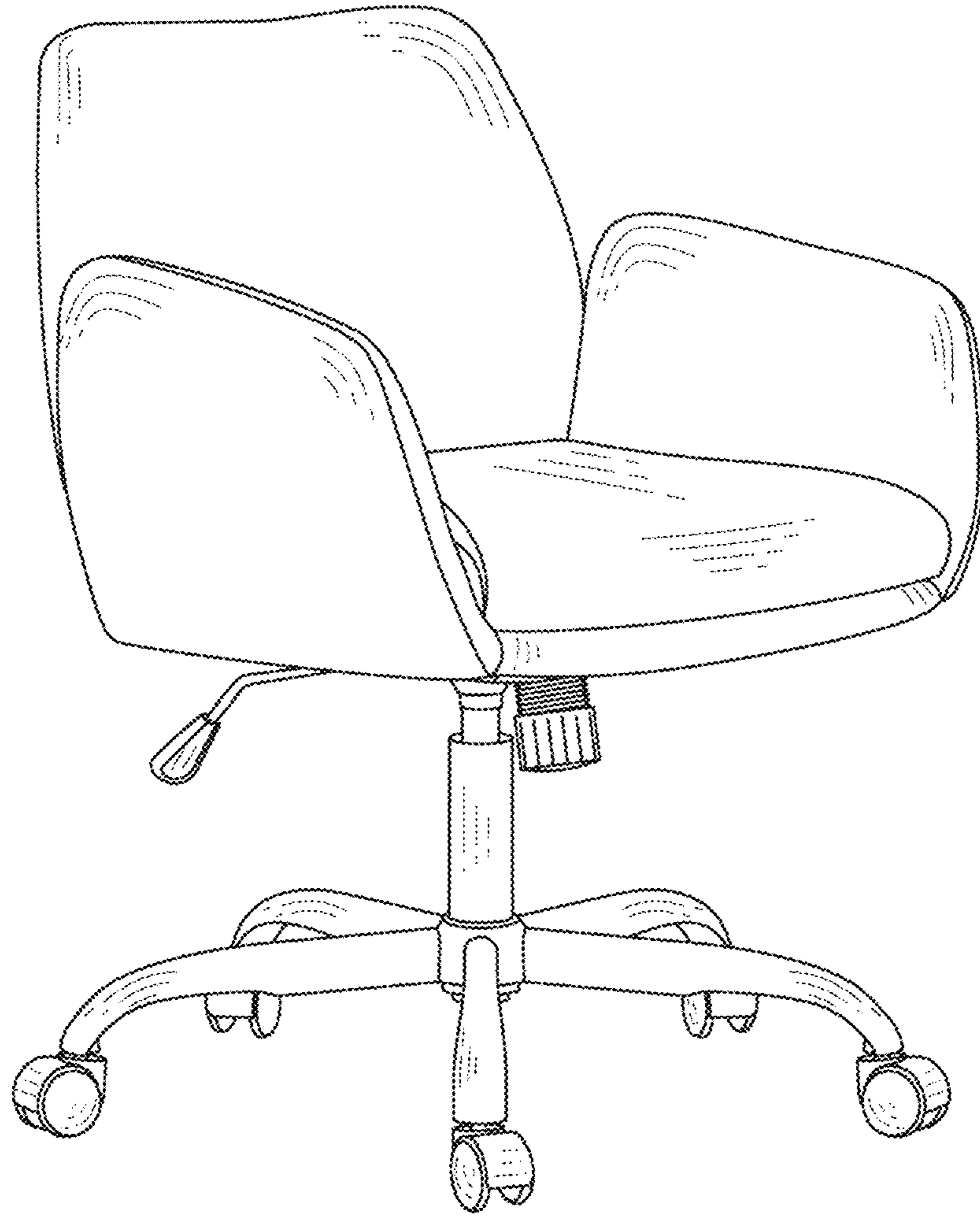


Fig.1

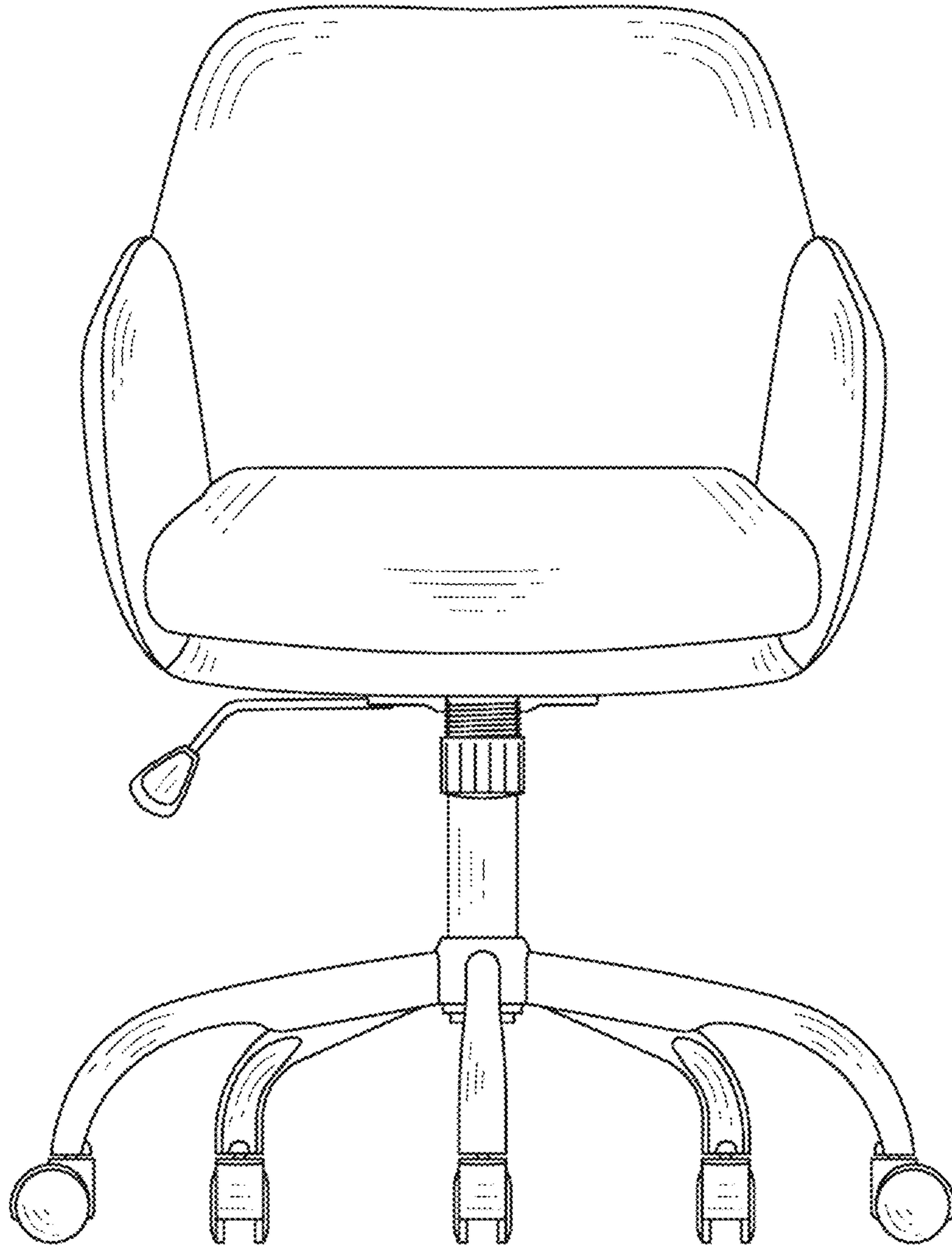


Fig.2

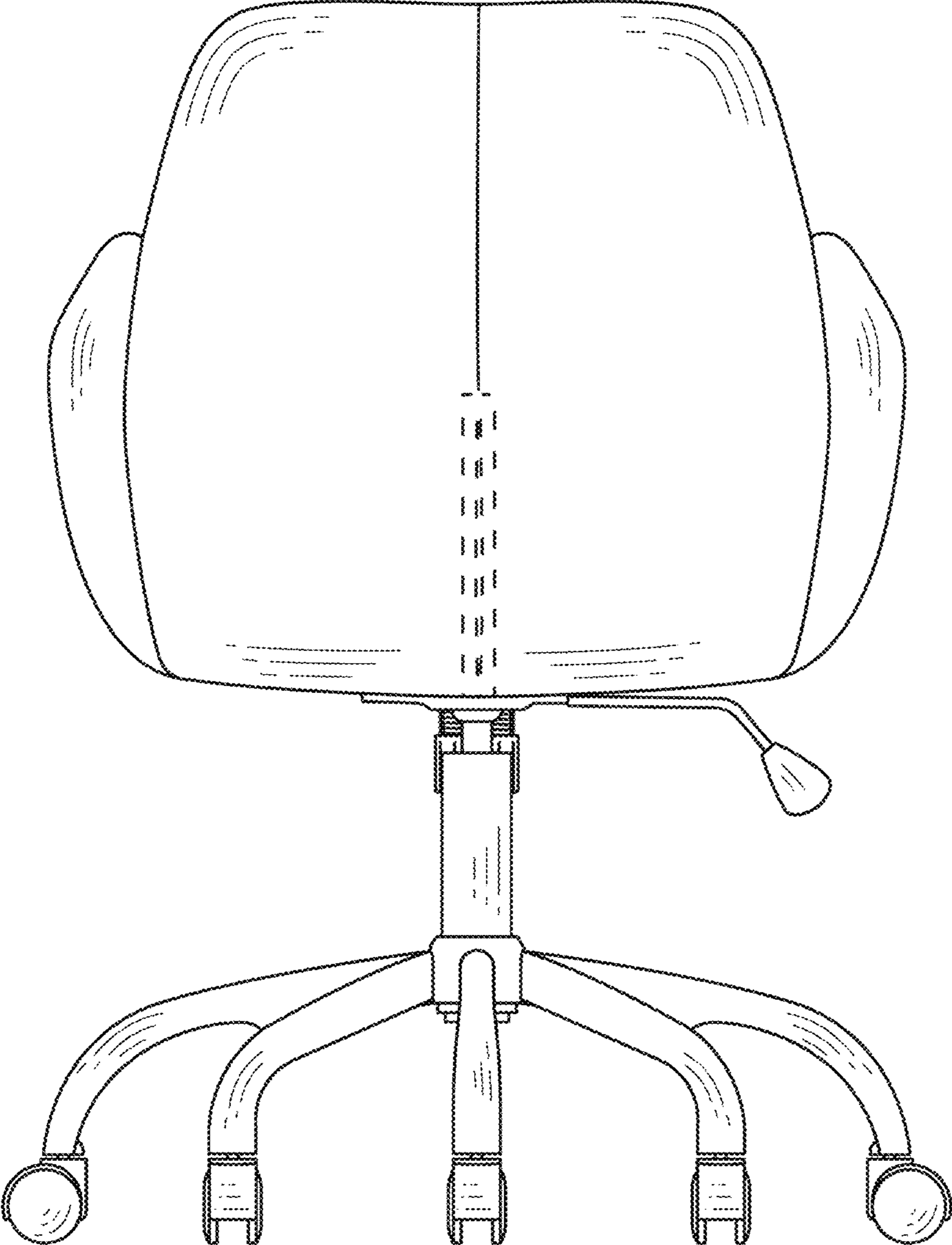


Fig.3

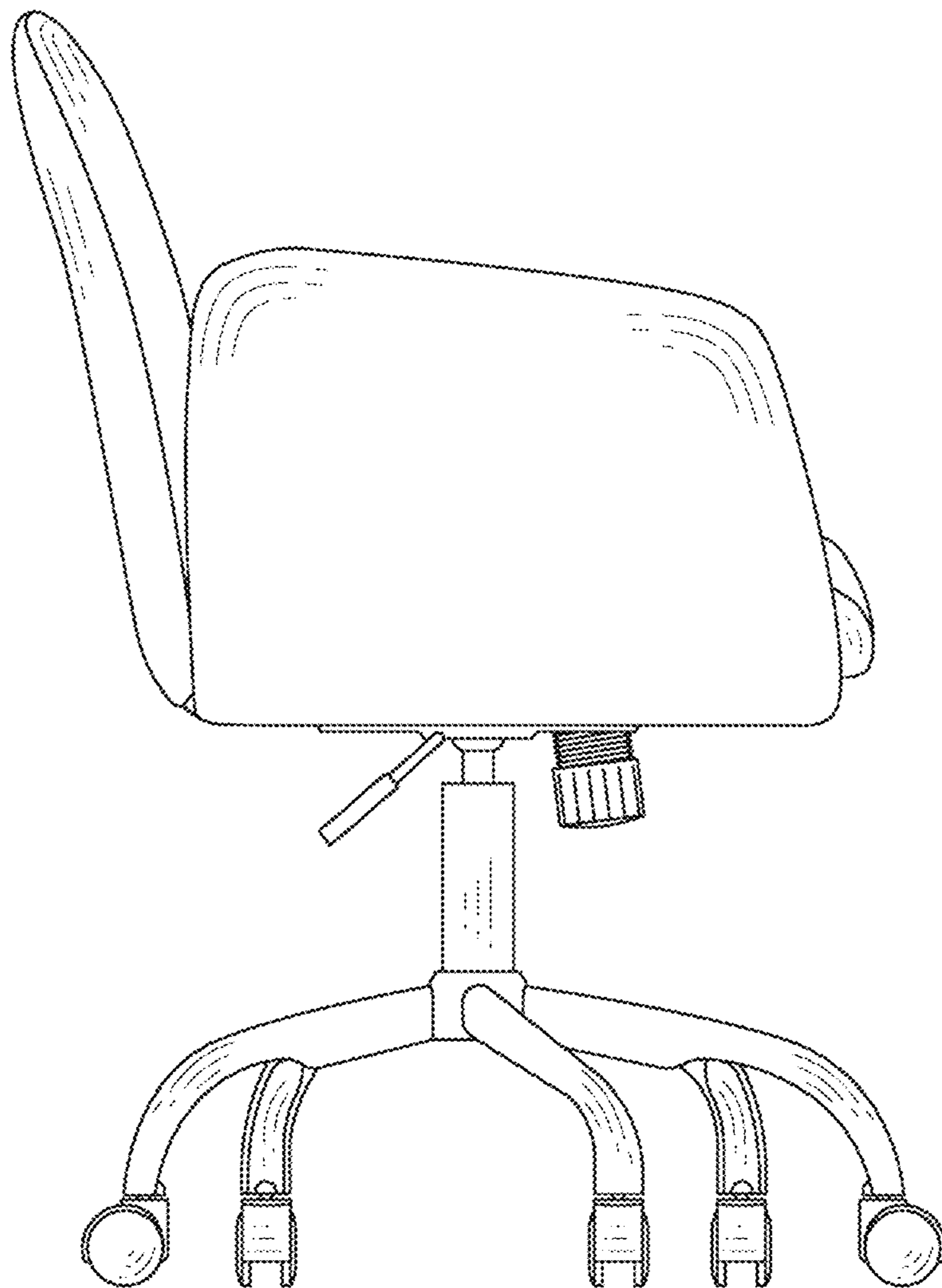


Fig.4

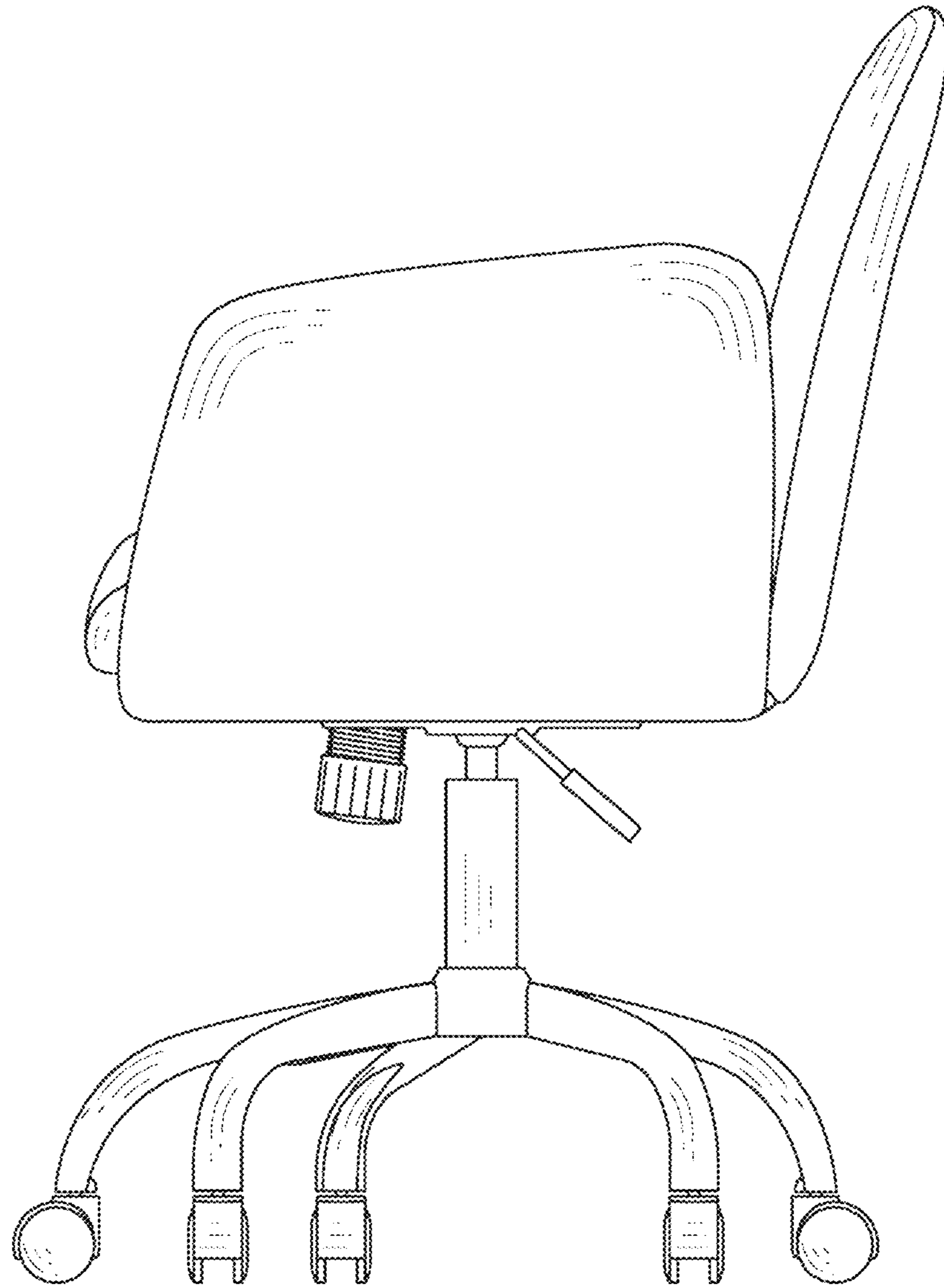


Fig.5

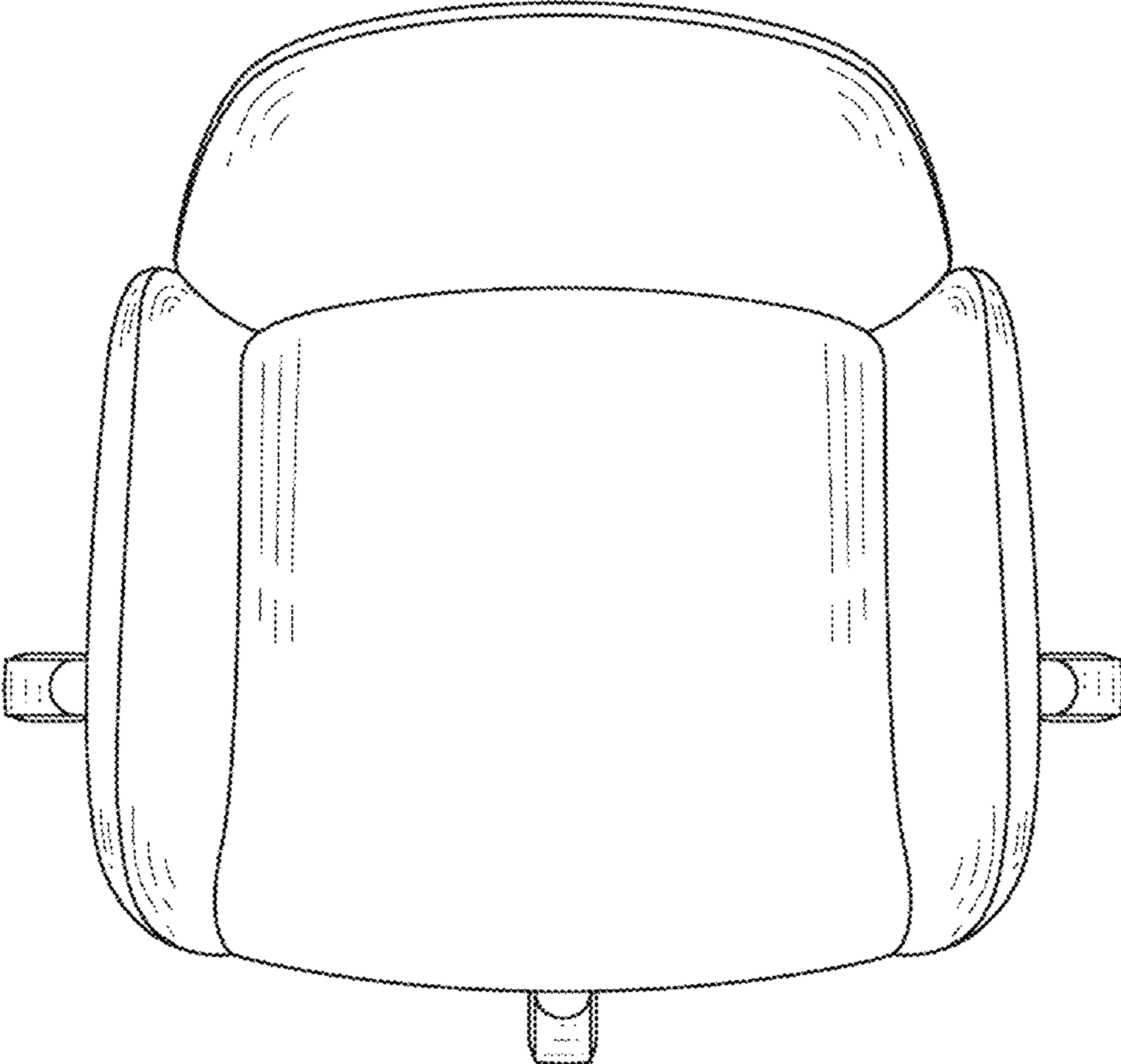


Fig.6

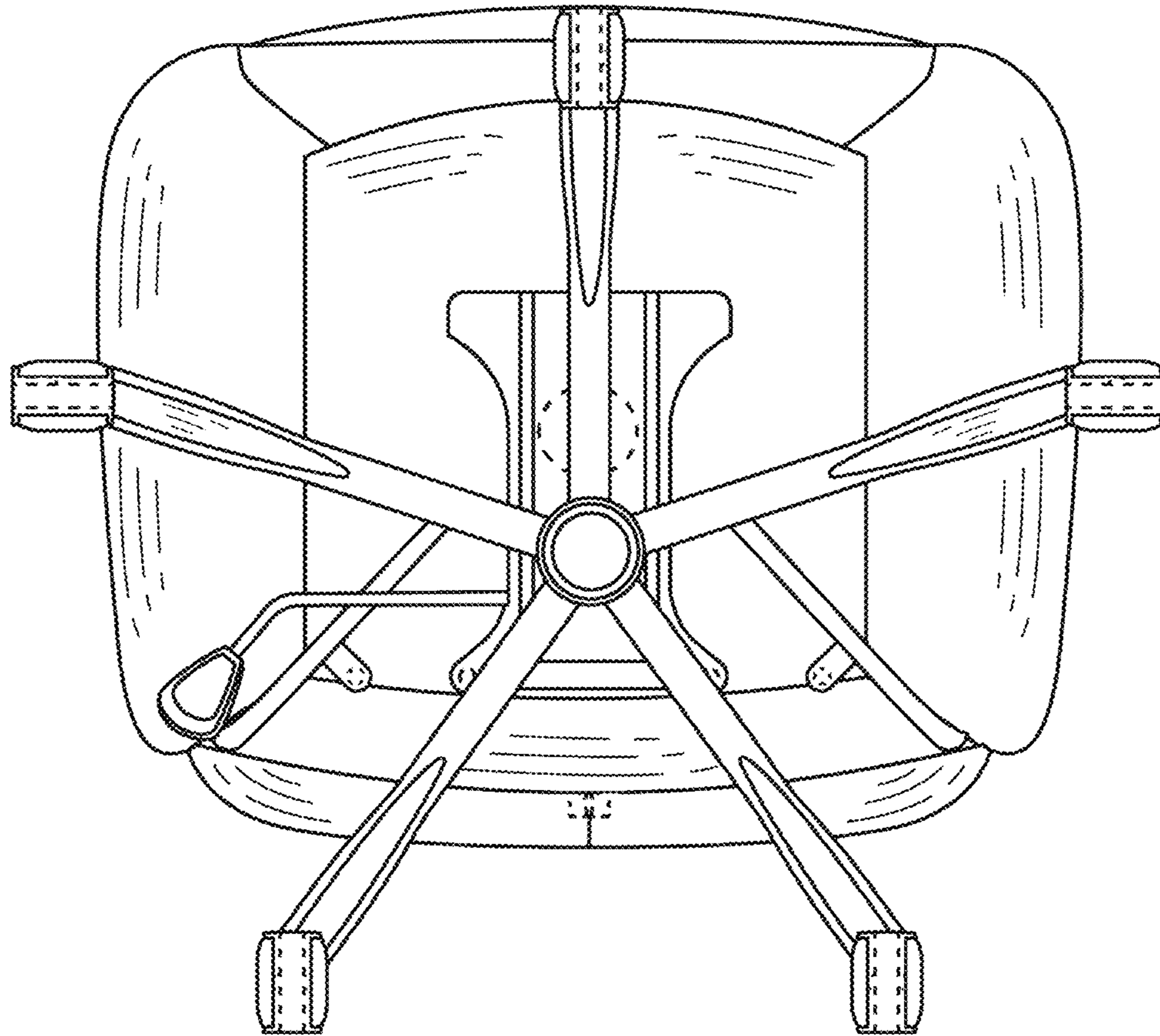


Fig.7