



US00D924586S

(12) **United States Design Patent** (10) **Patent No.:** **US D924,586 S**
Li (45) **Date of Patent:** **** Jul. 13, 2021**

(54) **CHAIR**

(71) Applicant: **39F USA INC**, Rancho Cucamonga, CA (US)

(72) Inventor: **Yuehai Li**, Rancho Cucamonga, CA (US)

(**) Term: **15 Years**

(21) Appl. No.: **29/697,415**

(22) Filed: **Jul. 8, 2019**

(51) **LOC (13) Cl.** **06-01**

(52) **U.S. Cl.**
USPC **D6/366**

(58) **Field of Classification Search**
USPC D6/334-336, 364, 365, 366, 367, 372, D6/373, 374, 375, 716, 716.1, 716.2, D6/716.4, 708.23, 708.24
CPC .. A47C 3/12; A47C 3/18; A47C 4/028; A47C 7/004; A47C 7/006; A47C 7/022; A47C 7/18; A47C 7/24; A47C 7/40; A47C 7/54; A47C 5/12; A47C 7/16
See application file for complete search history.

(56) **References Cited**

U.S. PATENT DOCUMENTS

3,408,106	A *	10/1968	Bolling	A47C 5/12
					297/452.14
3,521,929	A *	7/1970	Pearson	A47C 3/12
					297/452.14
D237,662	S *	11/1975	Subert	D6/375
D607,225	S *	1/2010	Bauchet	D6/375

D664,381	S *	7/2012	Kubryk	D6/716
D730,670	S *	6/2015	Kubryk	D6/716
D817,056	S *	5/2018	Neil	D6/716
D849,434	S *	5/2019	Hale	D6/364
D860,668	S *	9/2019	Magnusson	D6/366
D867,780	S *	11/2019	Krusin	D6/374
D886,483	S *	6/2020	Li	D6/374
D886,484	S *	6/2020	Li	D6/374
D888,449	S *	6/2020	Magnusson	D6/366
D899,799	S *	10/2020	Li	D6/366
D905,995	S *	12/2020	Li	D6/374
D906,708	S *	1/2021	Li	D6/366
D906,712	S *	1/2021	Li	D6/366

* cited by examiner

Primary Examiner — Mimosa De

(74) *Attorney, Agent, or Firm* — Feng Qian

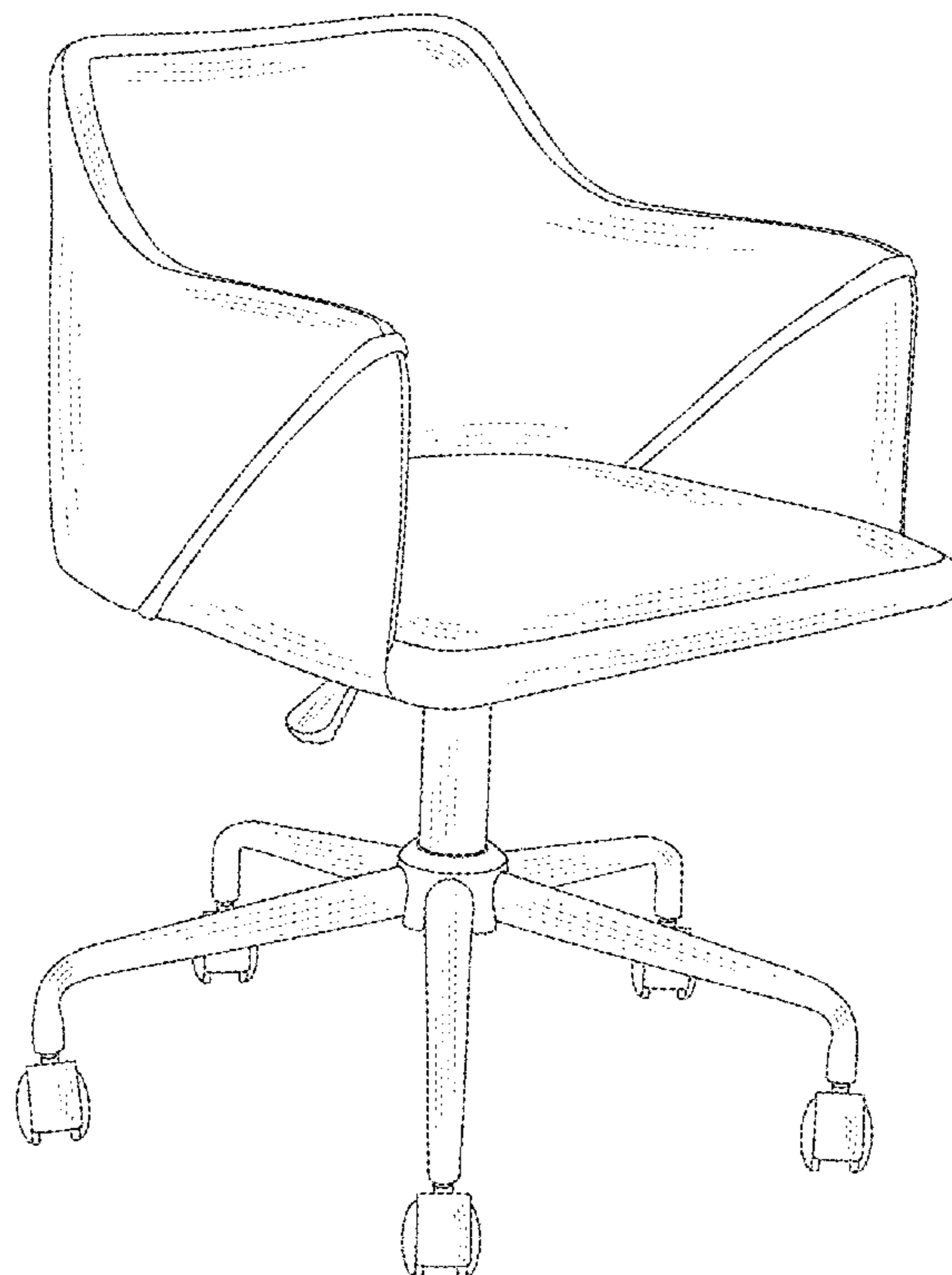
(57) **CLAIM**

The ornamental design for a chair, as shown and described.

DESCRIPTION

FIG. 1 is a front perspective view of a chair showing my new design;
FIG. 2 is a front elevation view thereof;
FIG. 3 is a rear elevation view thereof;
FIG. 4 is a left-side elevation view thereof;
FIG. 5 is a right-side elevation view thereof;
FIG. 6 is a top plan view thereof; and,
FIG. 7 is a bottom plan view thereof.
The broken lines shown in the drawings are for the purpose of illustrating portions of the article, and form no part of the claimed design.

1 Claim, 7 Drawing Sheets



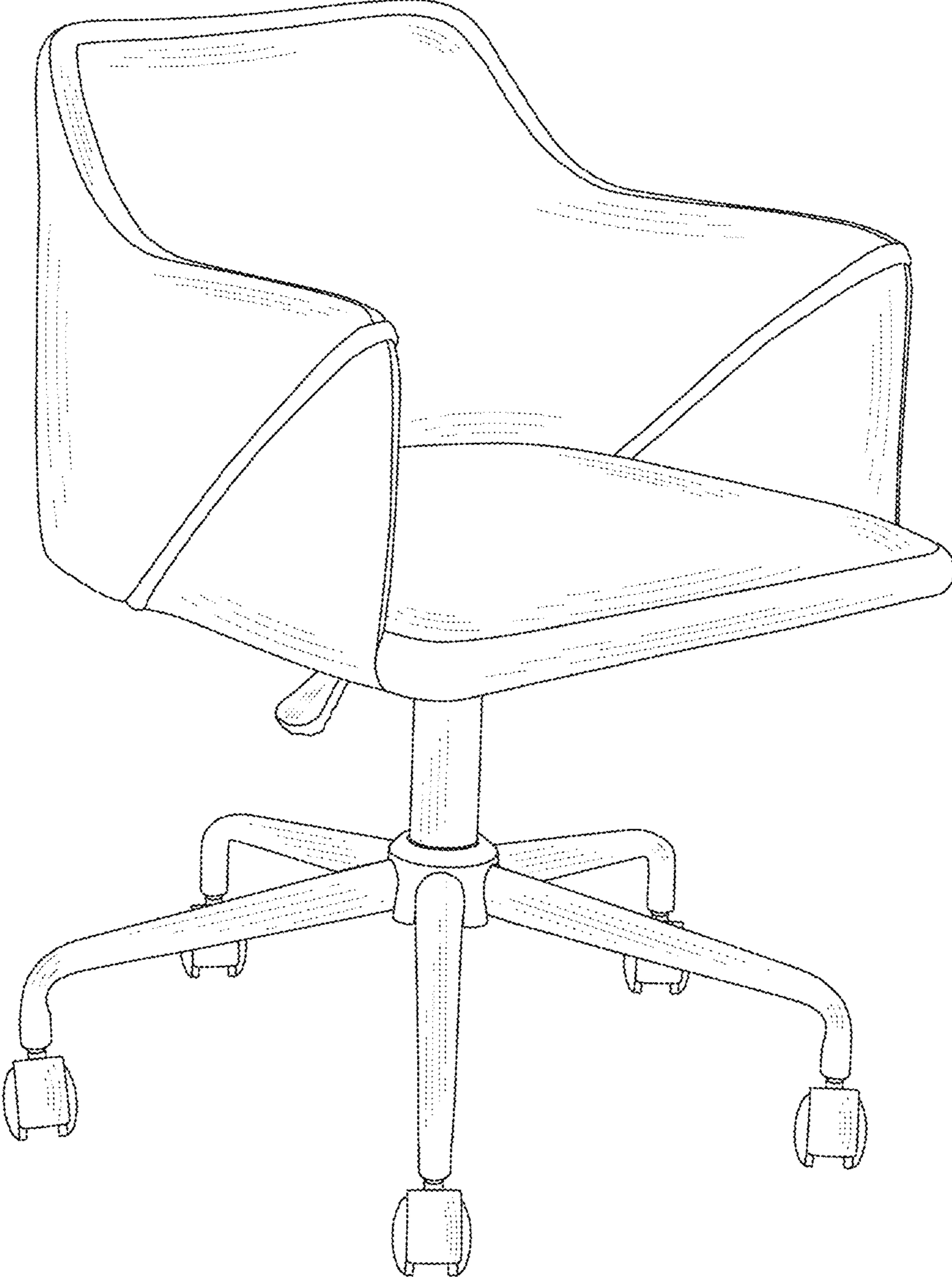


Fig.1

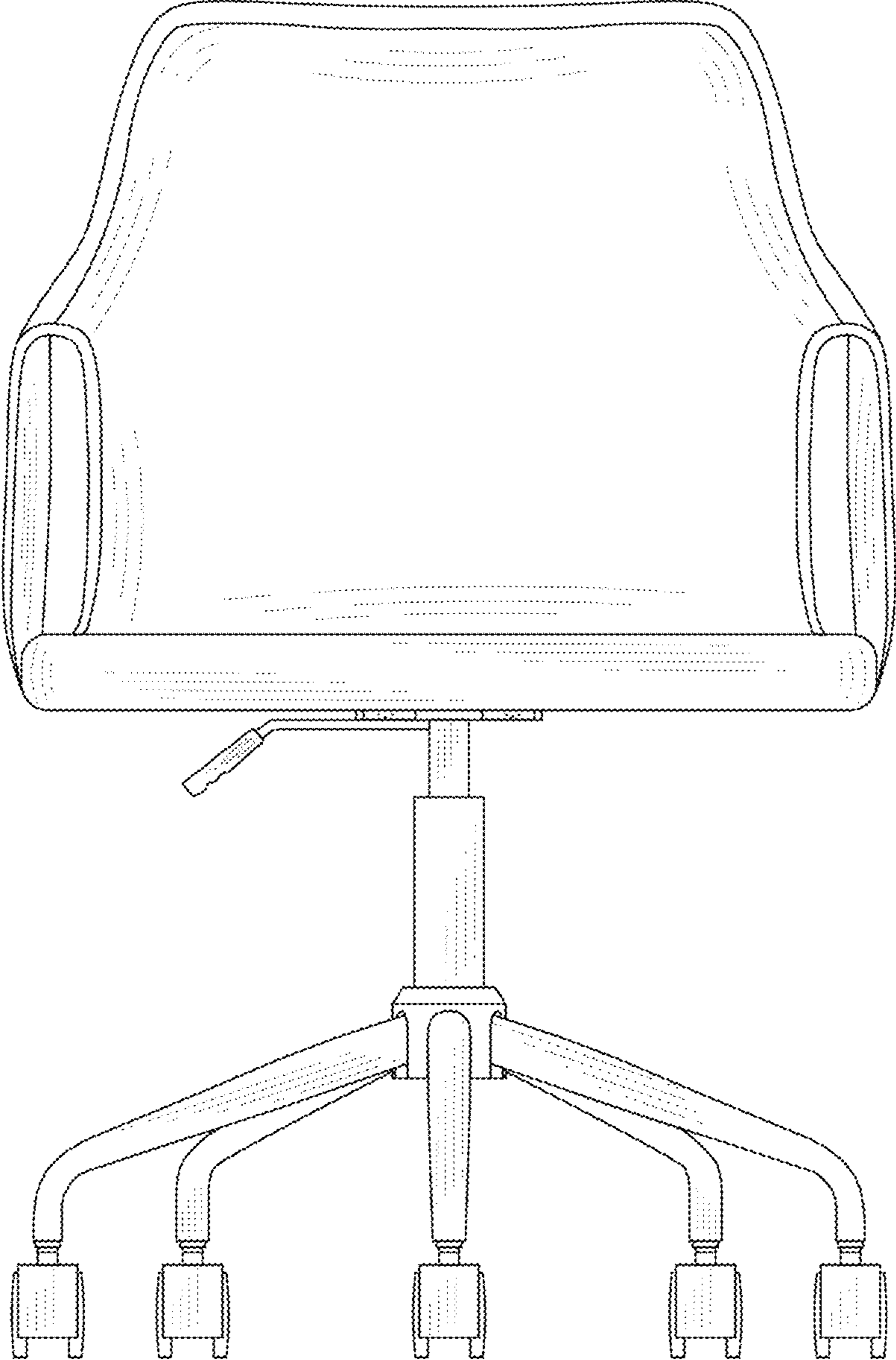


Fig.2

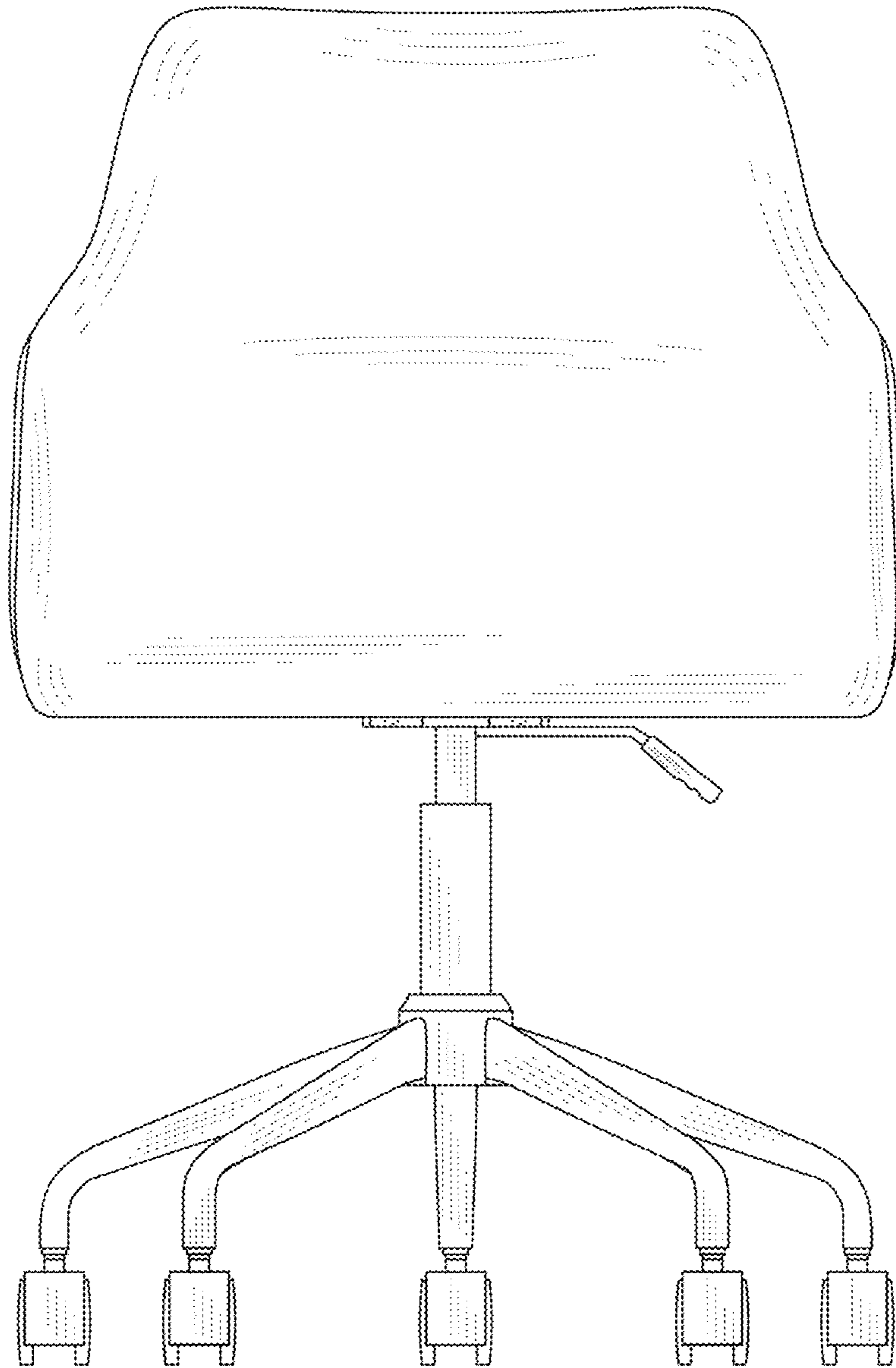


Fig.3

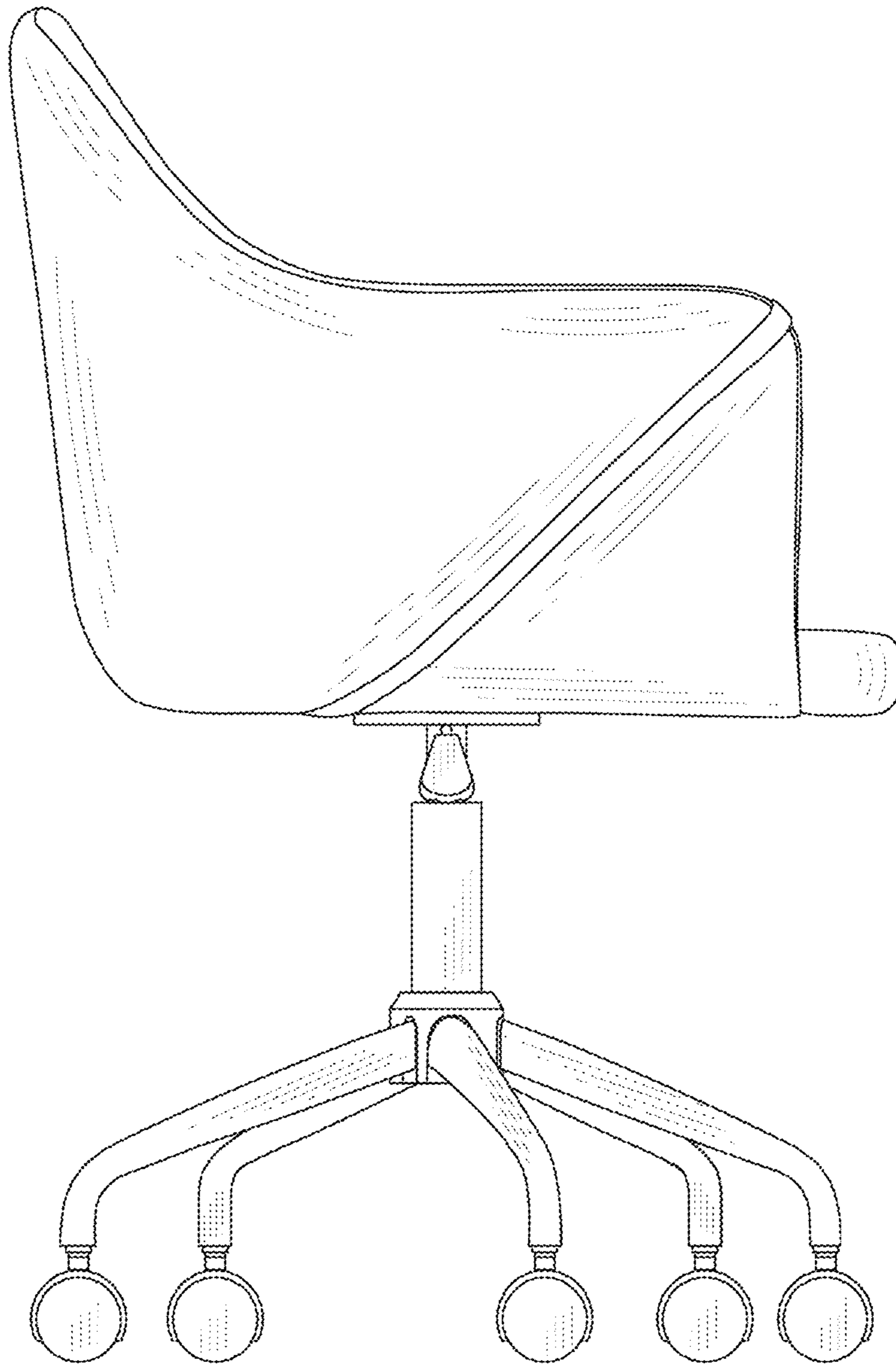


Fig.4

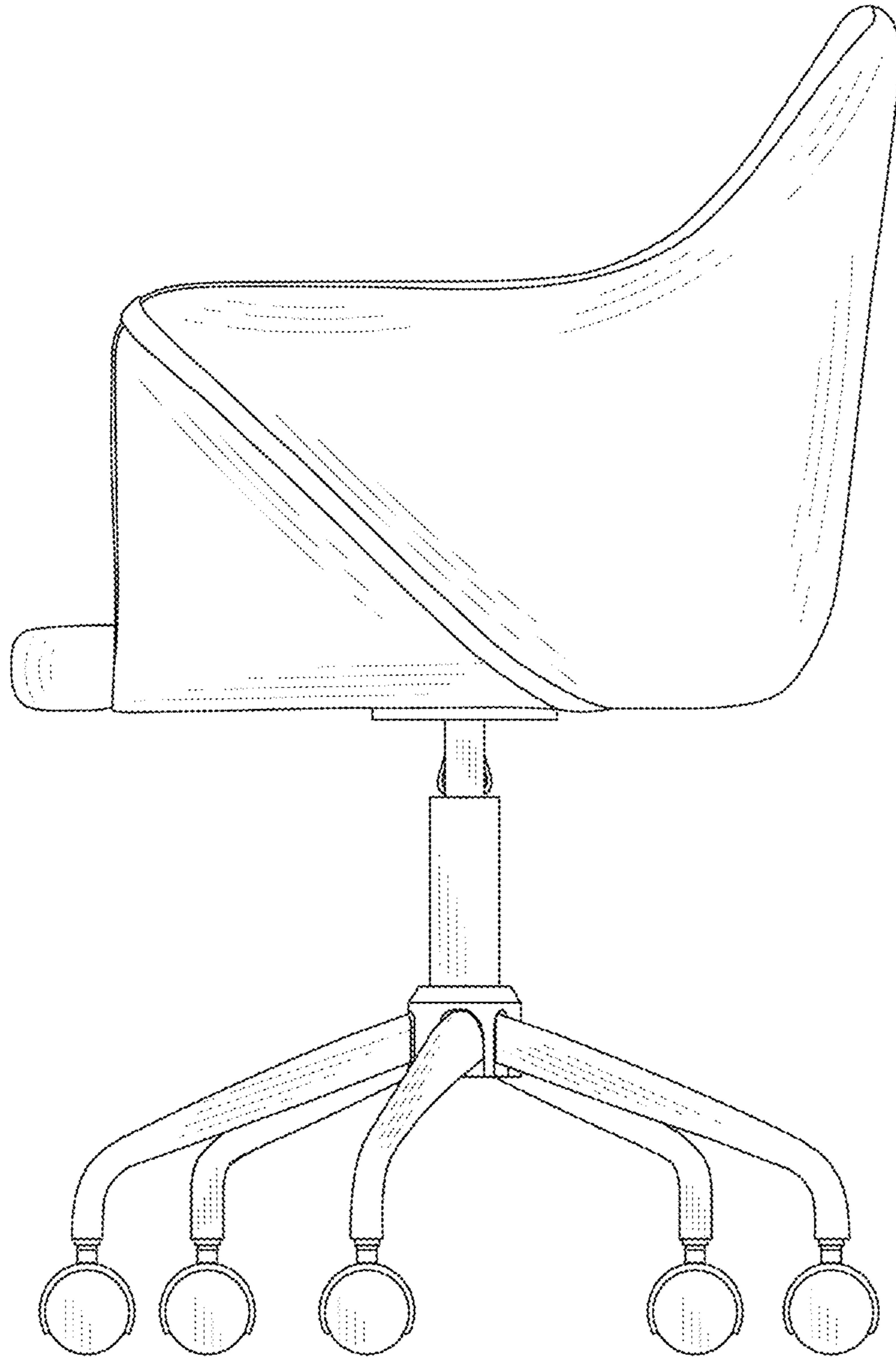


Fig.5

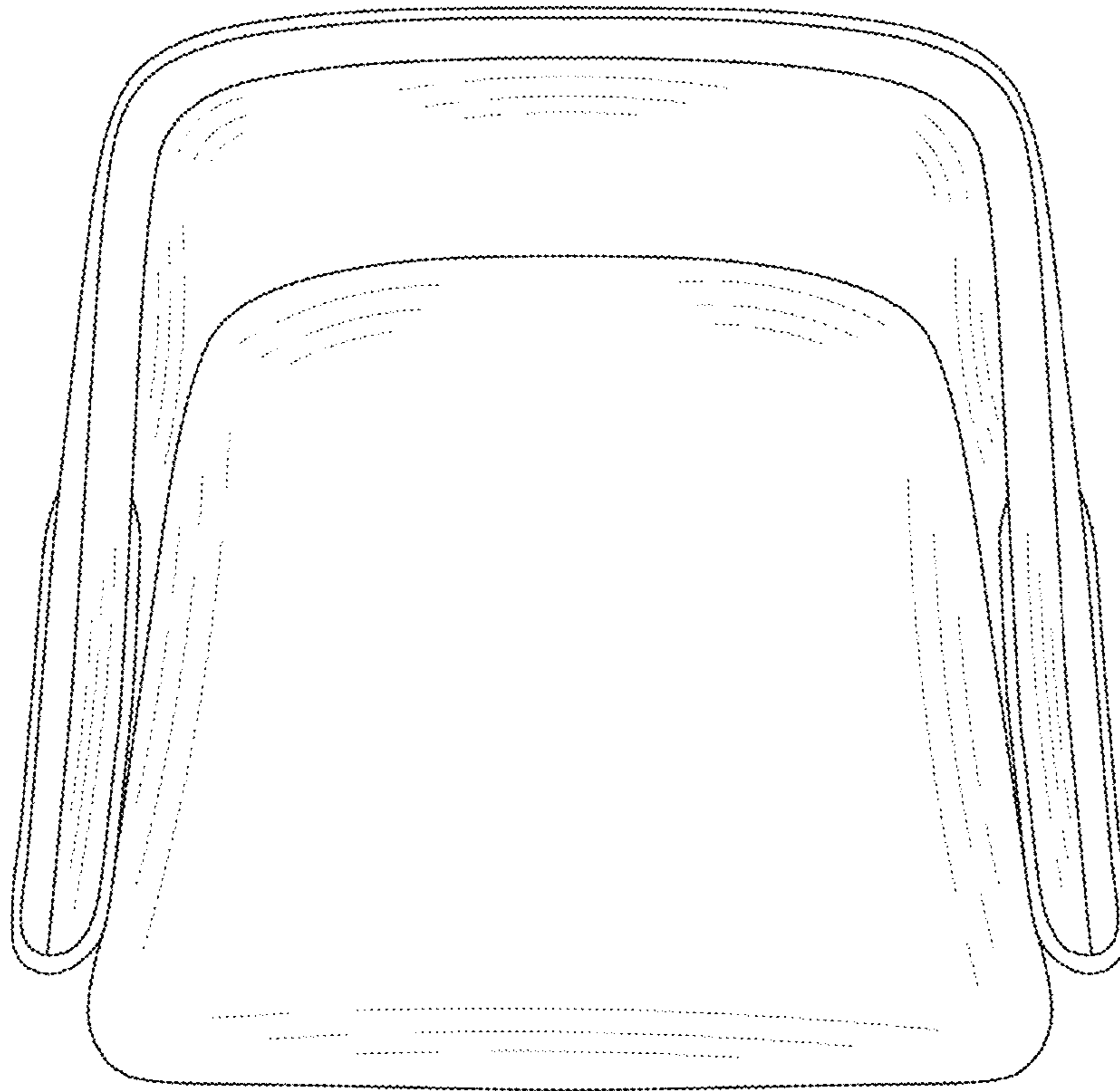


Fig.6

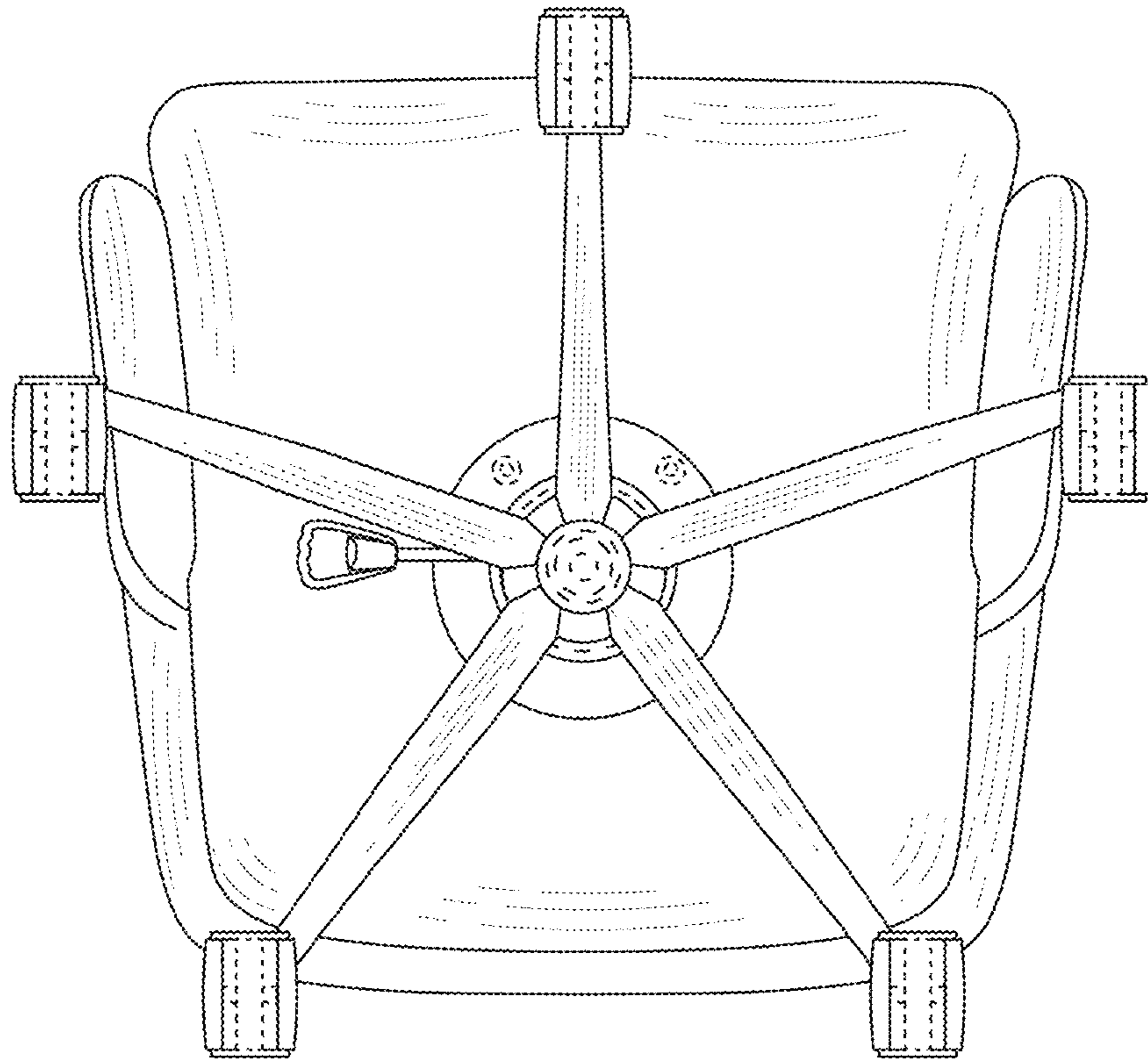


Fig.7