



US00D924585S

(12) **United States Design Patent** (10) **Patent No.:** **US D924,585 S**
Li (45) **Date of Patent:** **** Jul. 13, 2021**

(54) **CHAIR**
(71) Applicant: **39F USA INC**, Rancho Cucamonga, CA (US)
(72) Inventor: **Yuehai Li**, Rancho Cucamonga, CA (US)
(**) Term: **15 Years**

D849,434 S * 5/2019 Hale D6/364
D860,668 S * 9/2019 Magnusson D6/366
D867,780 S * 11/2019 Krusin D6/374
D871,788 S * 1/2020 Gori D6/360
D886,484 S * 6/2020 Li D6/374
D899,799 S * 10/2020 Li D6/366
D903,361 S * 12/2020 Garcia Lax D6/375
D905,460 S * 12/2020 Bjerre-Poulsen D6/375
D906,708 S * 1/2021 Li D6/366
D906,712 S * 1/2021 Li D6/366

(21) Appl. No.: **29/697,401**
(22) Filed: **Jul. 8, 2019**
(51) **LOC (13) Cl.** **06-01**
(52) **U.S. Cl.**
USPC **D6/366**
(58) **Field of Classification Search**
USPC D6/334-336, 360, 364, 365, 366, 367,
D6/372, 373, 374, 375, 716, 716.1, 716.2,
D6/716.4, 708.23, 708.24
CPC .. A47C 3/12; A47C 3/18; A47C 4/028; A47C
7/004; A47C 7/006; A47C 7/022; A47C
7/18; A47C 7/24; A47C 7/40; A47C 7/54;
A47C 5/12; A47C 7/16
See application file for complete search history.

OTHER PUBLICATIONS

Office Task Chair, download dated Jan. 27, 2021 on overstock.com, <https://www.overstock.com/Home-Garden/Office-Task-Chair/31273532/product.html?kwds=&refccid=2HWZVQKY6HBL3Z2HNGX3IO7KRM&rfmt=&searchidx=68> (Year: 2021).*

* cited by examiner

Primary Examiner — Mimosa De
(74) *Attorney, Agent, or Firm* — Feng Qian

(57) **CLAIM**

The ornamental design for a chair, as shown and described.

DESCRIPTION

FIG. 1 is a front perspective view of a chair showing my new design;
FIG. 2 is a front elevation view thereof;
FIG. 3 is a rear elevation view thereof;
FIG. 4 is a left-side elevation view thereof;
FIG. 5 is a right-side elevation view thereof;
FIG. 6 is a top plan view thereof; and,
FIG. 7 is a bottom plan view thereof.
The broken lines shown in the drawings are for the purpose of illustrating portions of the article, and form no part of the claimed design.

1 Claim, 7 Drawing Sheets

(56) **References Cited**
U.S. PATENT DOCUMENTS
3,408,106 A * 10/1968 Bolling A47C 5/12
297/452.14
3,521,929 A * 7/1970 Pearson A47C 7/18
297/452.14
D237,662 S * 11/1975 Subert D6/334
D268,152 S * 3/1983 Rausch D6/334
D288,506 S * 3/1987 Ochsner D6/375
D579,224 S * 10/2008 Fancelli D6/372
D596,864 S * 7/2009 Bergmann D6/375
D664,381 S * 7/2012 Kubryk D6/716
D730,098 S * 5/2015 Kubryk D6/716
D817,056 S * 5/2018 Neil D6/716





Fig. 1

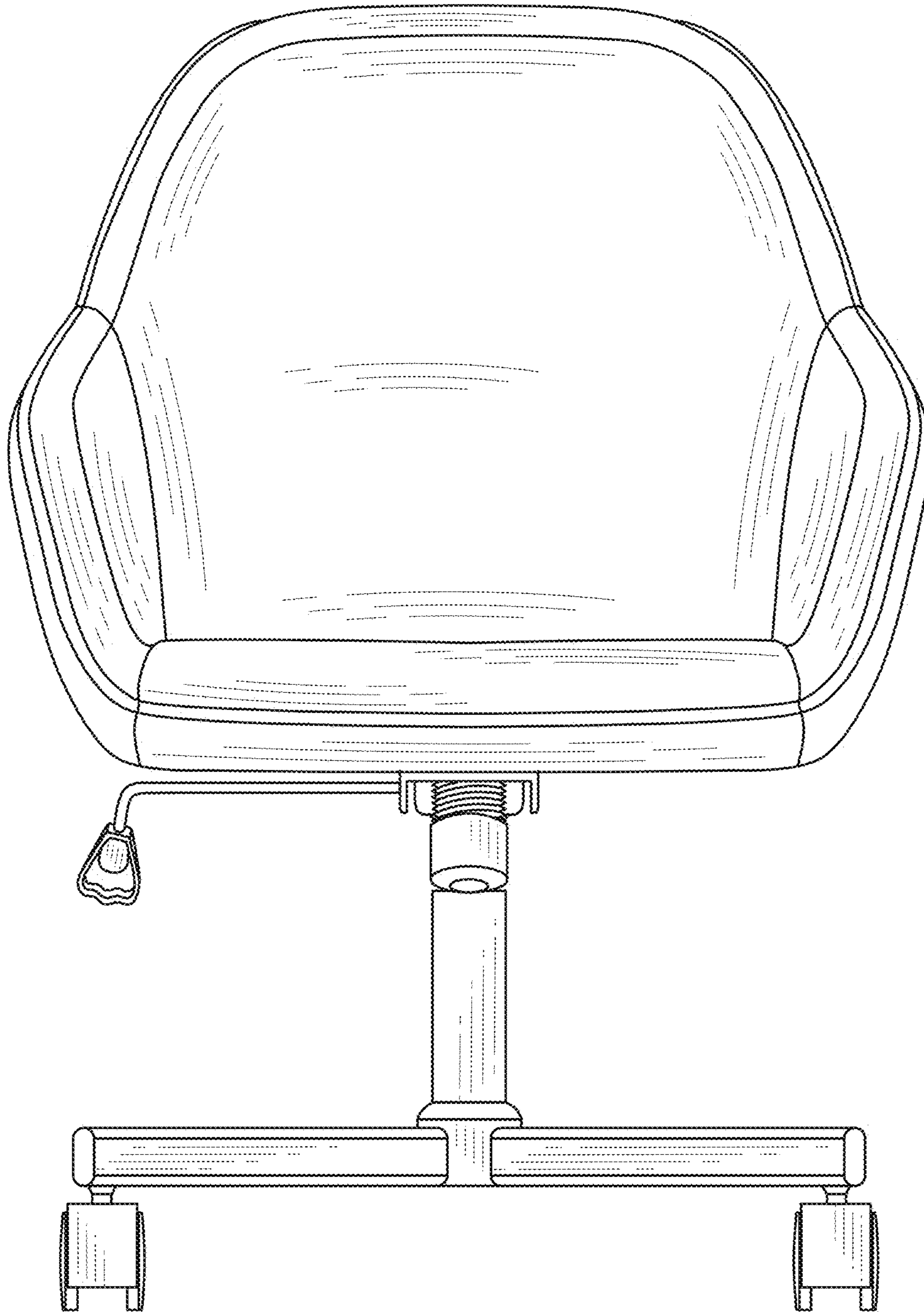


Fig. 2

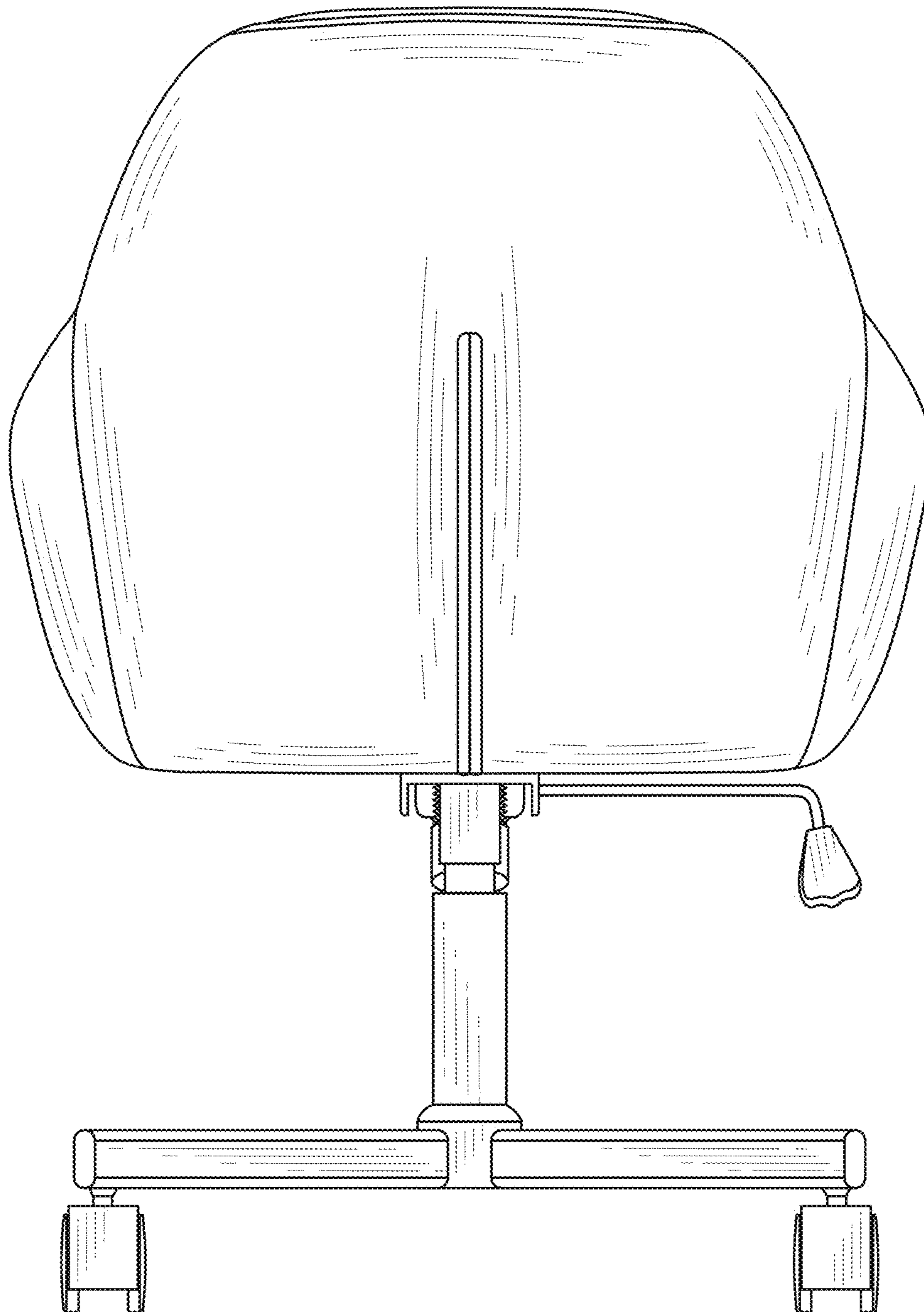


Fig. 3

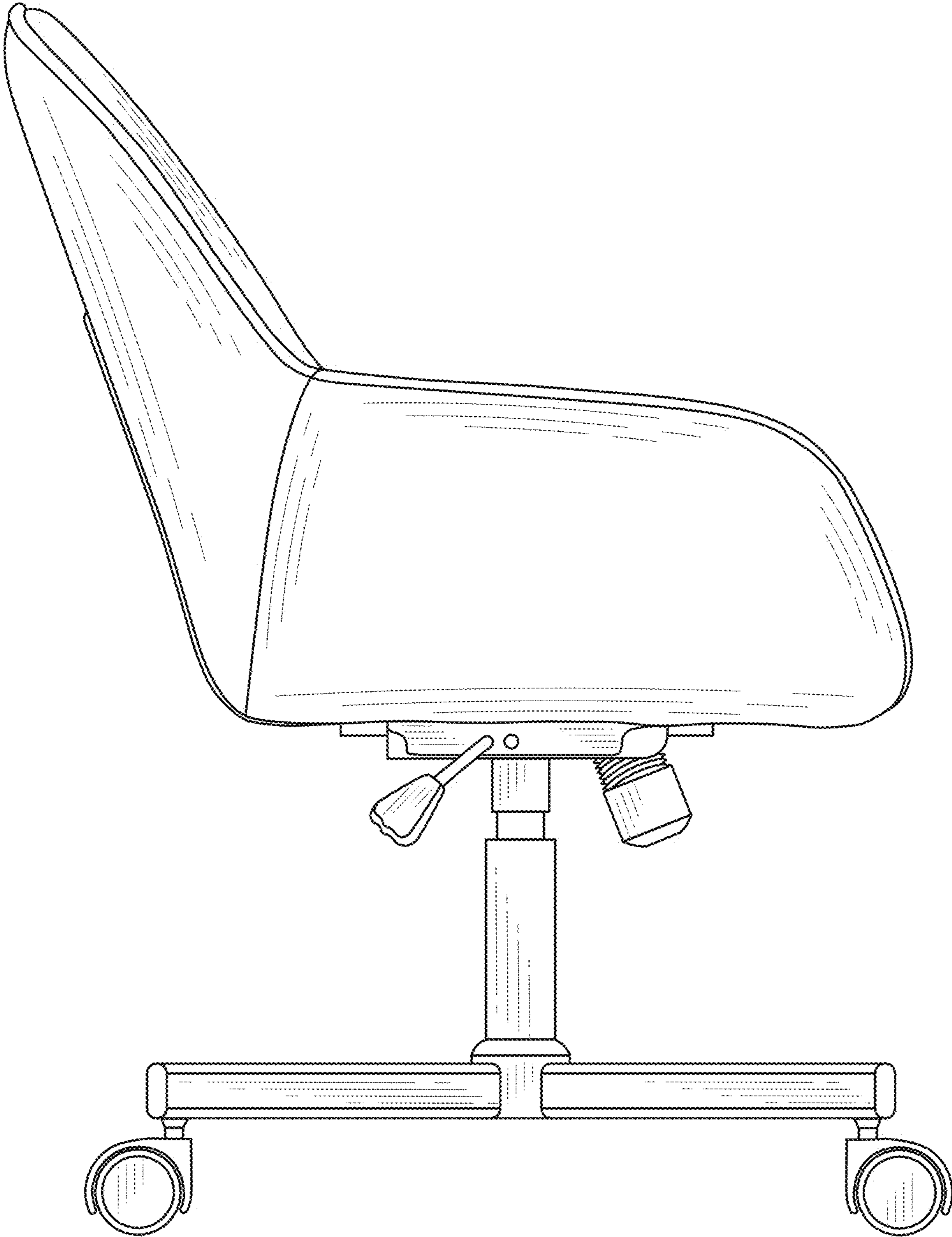


Fig. 4

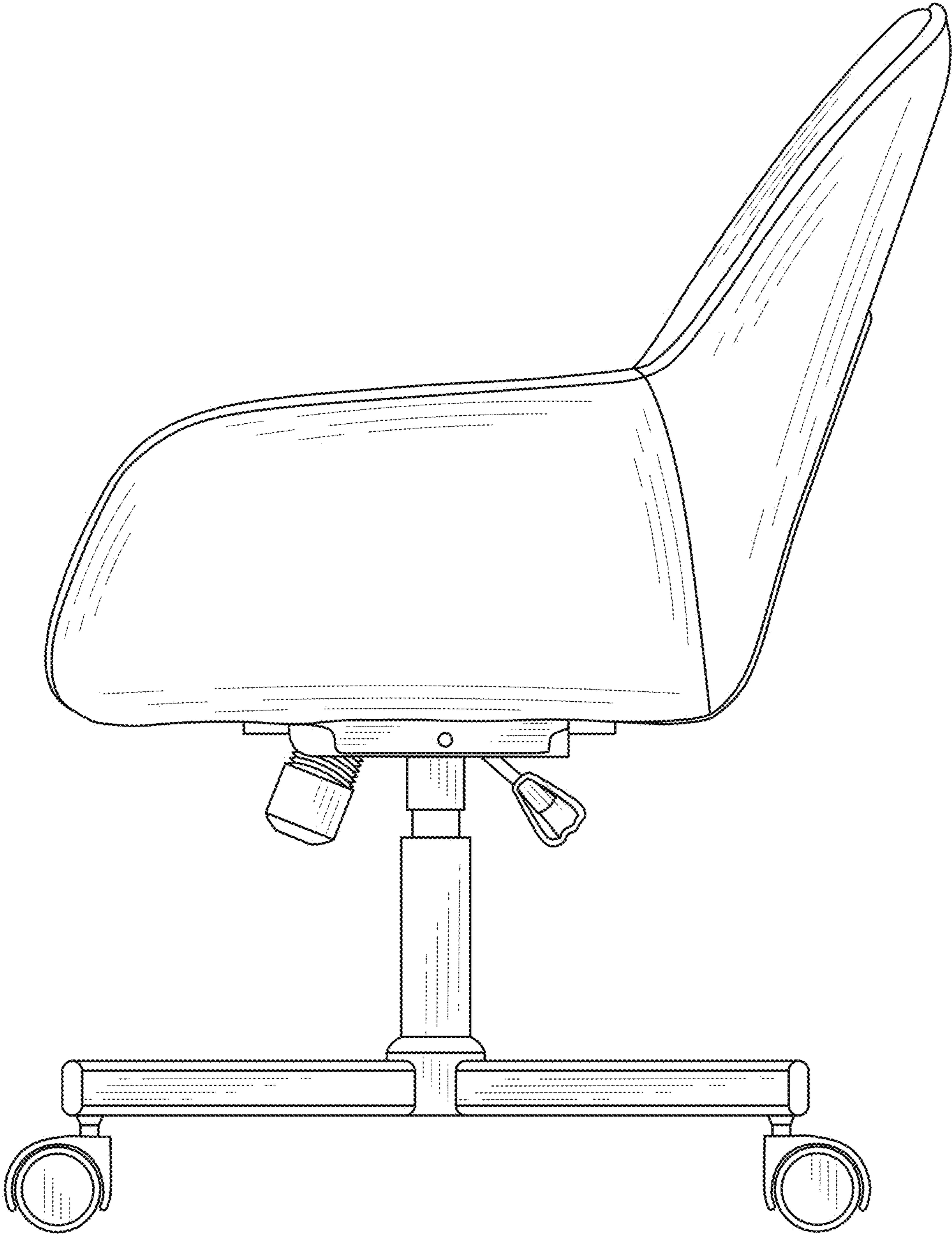


Fig. 5

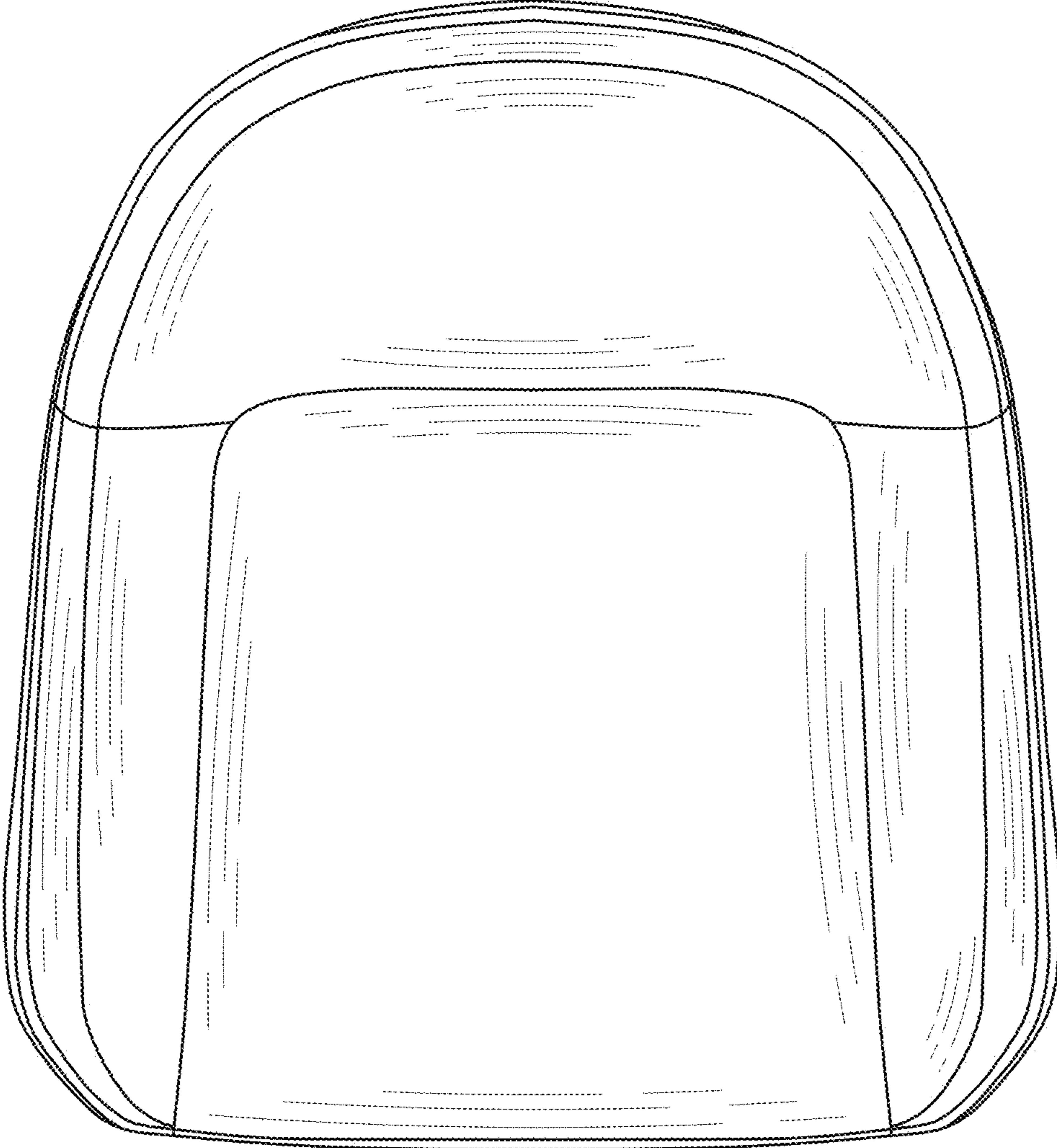


Fig. 6

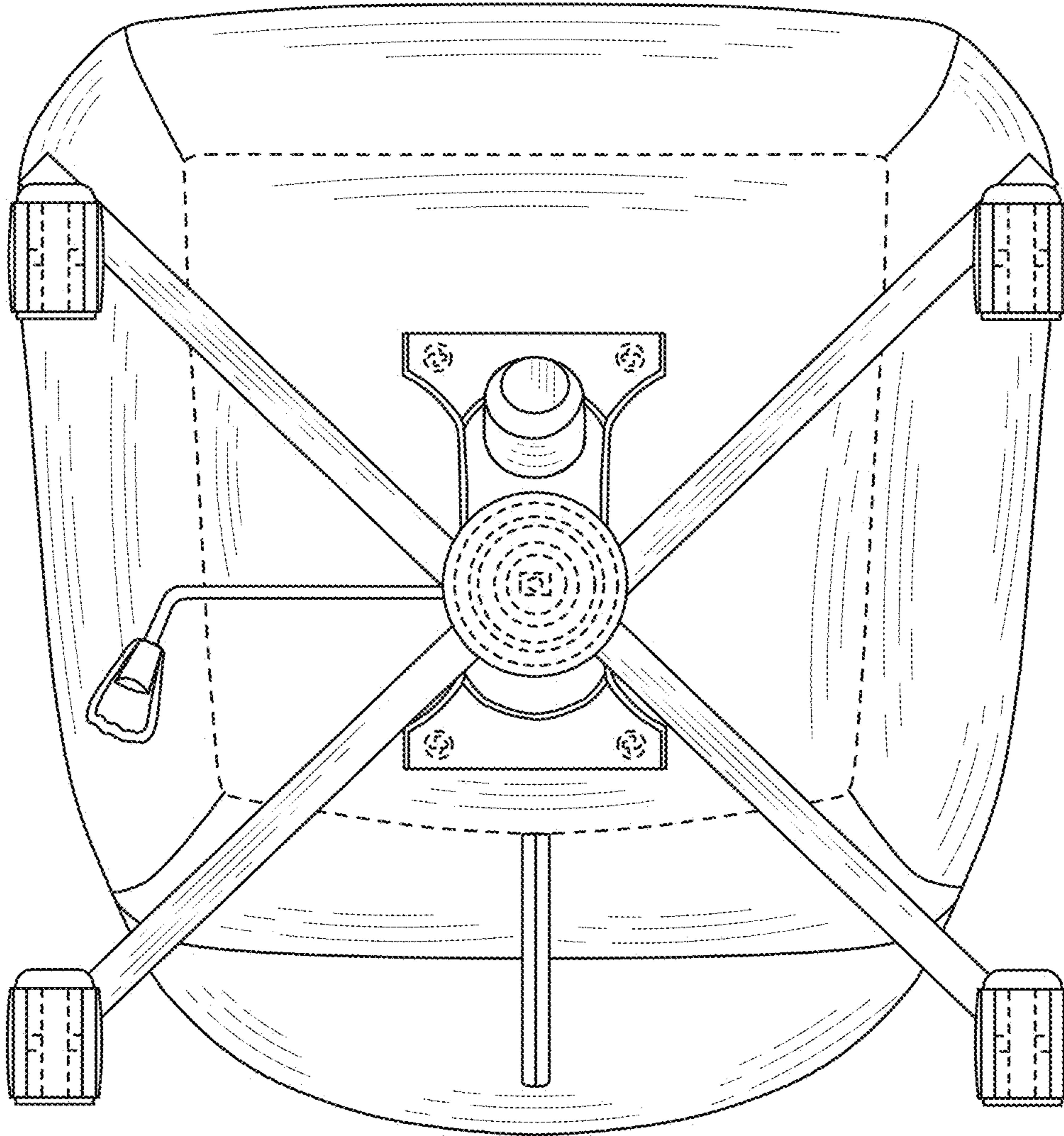


Fig. 7