



US00D924583S

(12) **United States Design Patent** (10) **Patent No.:** **US D924,583 S**  
**Kang et al.** (45) **Date of Patent:** **\*\* Jul. 13, 2021**

(54) **SEAT FOR AUTOMOBILES**  
(71) Applicant: **LG Electronics Inc.**, Seoul (KR)  
(72) Inventors: **Seungmo Kang**, Seoul (KR); **Romain Diboine**, Seoul (KR); **Juneo Song**, Seoul (KR); **Sewon Chun**, Seoul (KR)  
(73) Assignee: **LG ELECTRONICS INC.**, Seoul (KR)  
(\*\*) Term: **15 Years**  
(21) Appl. No.: **35/509,131**  
(22) Filed: **Oct. 16, 2019**

D598,223 S \* 8/2009 Confer ..... D6/716.1  
7,578,554 B2 \* 8/2009 Lee ..... B60N 2/62  
297/284.11  
D686,002 S \* 7/2013 Martin ..... D6/334  
D702,623 S \* 4/2014 Salzberger ..... D12/345  
D724,334 S \* 3/2015 Ashley ..... D6/356  
D765,999 S \* 9/2016 Goode ..... D6/336  
D771,399 S \* 11/2016 Buffery ..... D6/356  
9,616,779 B2 \* 4/2017 Barzen ..... B60N 2/933  
D799,224 S \* 10/2017 Callum ..... D6/356  
D812,921 S \* 3/2018 Vorwerk ..... D6/356  
D837,550 S \* 1/2019 Buttery ..... D6/356  
D839,014 S \* 1/2019 Ray ..... D6/356  
D839,015 S \* 1/2019 Bekas ..... D6/356  
D841,349 S \* 2/2019 Pinder ..... D6/356  
D855,339 S \* 8/2019 Ochs ..... D6/356  
D861,362 S \* 10/2019 Smith ..... D6/356  
D861,364 S \* 10/2019 Pinder ..... D6/356

(Continued)

(80) **Hague Agreement Data**  
Int. Filing Date: **Oct. 16, 2019**  
Int. Reg. No.: **DM/204829**  
Int. Reg. Date: **Oct. 16, 2019**  
Int. Reg. Pub. Date: **Apr. 17, 2020**

*Primary Examiner* — Mary Ann Calabrese  
*Assistant Examiner* — Catherine Ho  
(74) *Attorney, Agent, or Firm* — Birch, Stewart, Kolasch & Birch LLP

(30) **Foreign Application Priority Data**  
Apr. 16, 2019 (KR) ..... 30-2019-0017873

(57) **CLAIM**

The ornamental design for a seat for automobiles, as shown and described.

(51) **LOC (13) Cl.** ..... **06-01**  
(52) **U.S. Cl.**  
USPC ..... **D6/356**

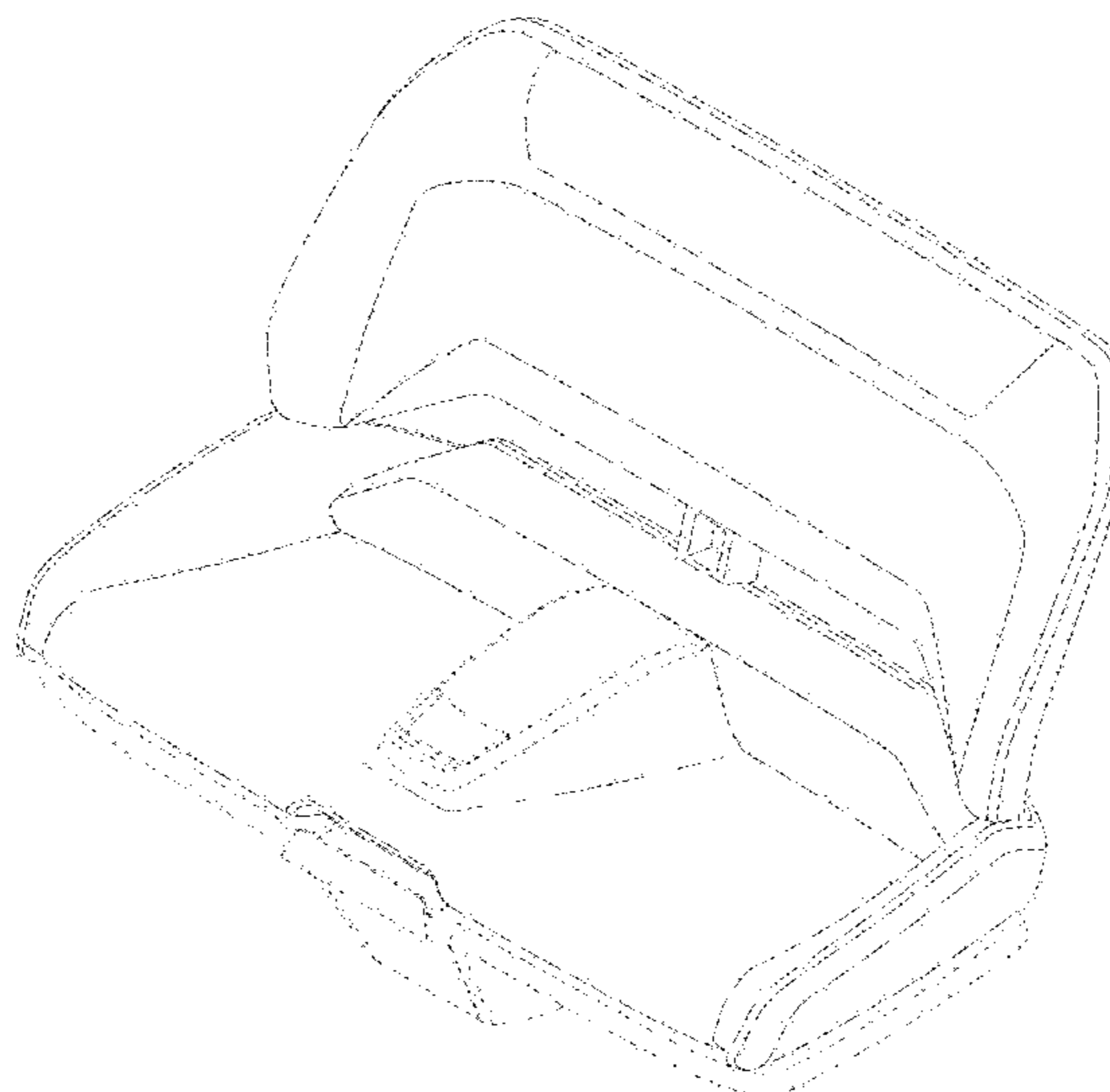
**DESCRIPTION**

(58) **Field of Classification Search**  
USPC ... D6/334, 356, 374, 376, 716, 716.1, 716.4  
CPC ... B60N 2/00; B60N 2/24; B60N 2/64; B60N 2/643; B60N 2/646; B60N 2/80; B60N 2/90  
See application file for complete search history.

1. Seat for automobiles  
1.1 : is a front perspective view of a seat for automobiles; showing our new design;  
1.2 : is a front view thereof;  
1.3 : is a back view thereof;  
1.4 : is a left view thereof, the right view being a mirror image thereof;  
1.5 : is a top view thereof;  
1.6 : is a bottom view thereof; and  
1.7 : is a top perspective view of a seat for automobiles shown in an environment of use.  
The broken lines depict portions of the seat for automobiles that form no part of the claimed design.

(56) **References Cited**  
U.S. PATENT DOCUMENTS  
D239,234 S \* 3/1976 Gamble et al. .... D6/375  
D307,019 S \* 4/1990 Rosenblad ..... D15/17  
D591,964 S \* 5/2009 Pohanka ..... D6/356

**1 Claim, 7 Drawing Sheets**



(56)

**References Cited**

U.S. PATENT DOCUMENTS

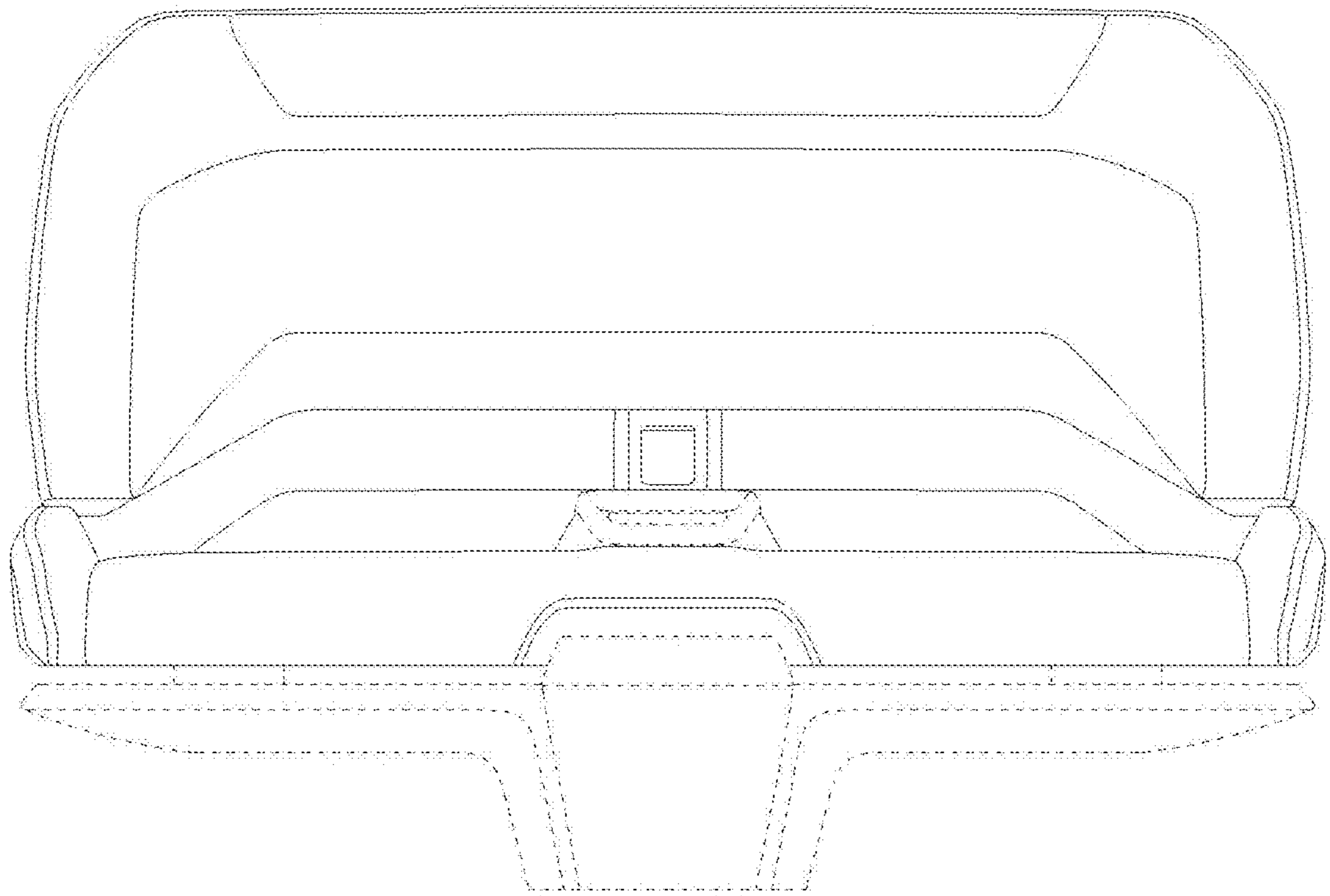
D862,100	S	*	10/2019	Bekas	.....	D6/356
D878,782	S	*	3/2020	Quaintance	.....	D6/356
D889,149	S	*	7/2020	Bell	.....	D6/356
D897,703	S	*	10/2020	Smith	.....	D6/356
D904,052	S	*	12/2020	Wesline	.....	D6/356
D904,053	S	*	12/2020	Wesline	.....	D6/356
D906,703	S	*	1/2021	Kasparian	.....	D6/336
D908,377	S	*	1/2021	Nelson	.....	D6/356
D908,378	S	*	1/2021	Nelson	.....	D6/356
D911,724	S	*	3/2021	Waller	.....	D6/356
2006/0232118	A1	*	10/2006	Cantrill	.....	B60N 2/643 297/452.35

\* cited by examiner

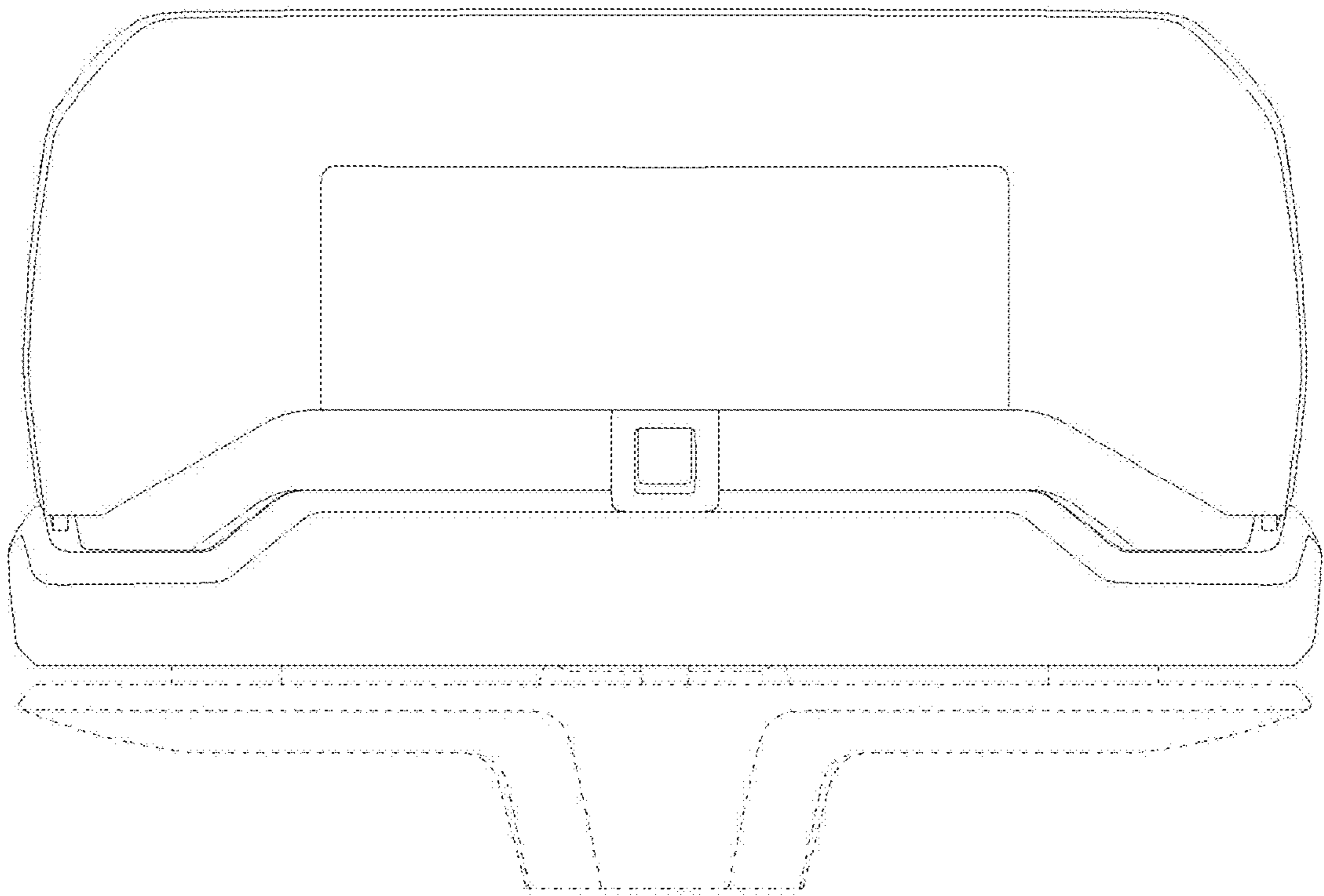
1.1



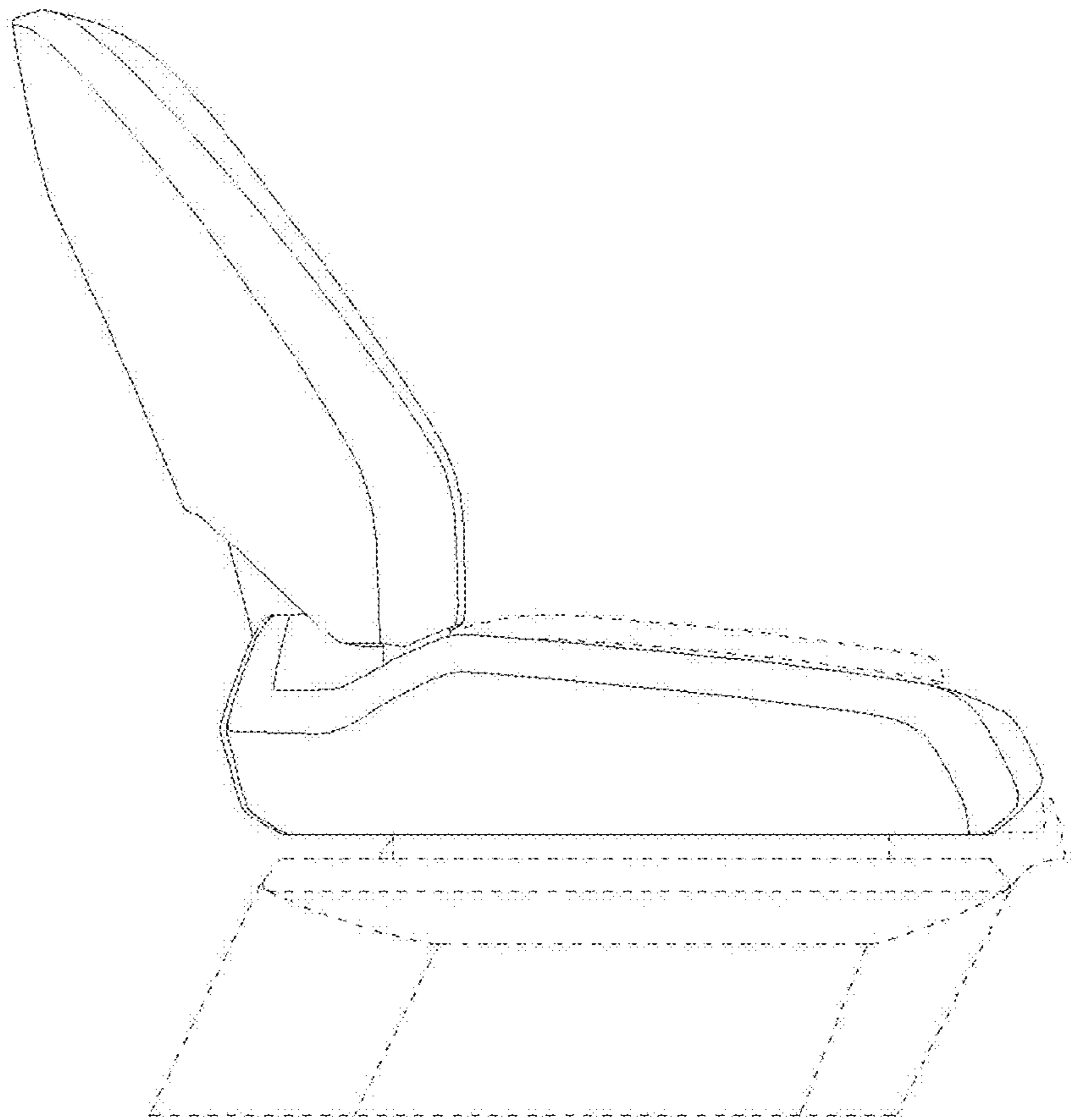
1.2



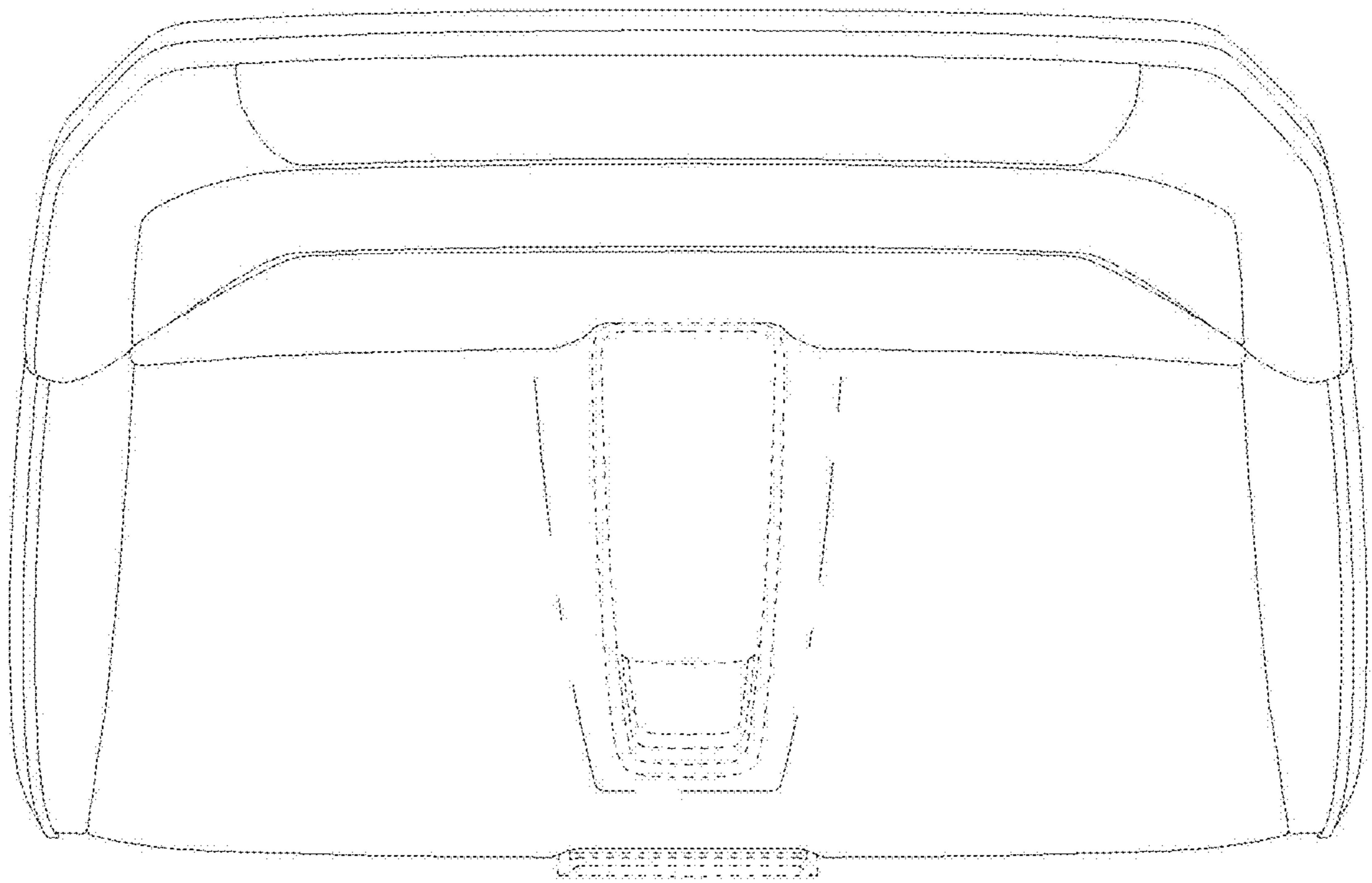
1.3



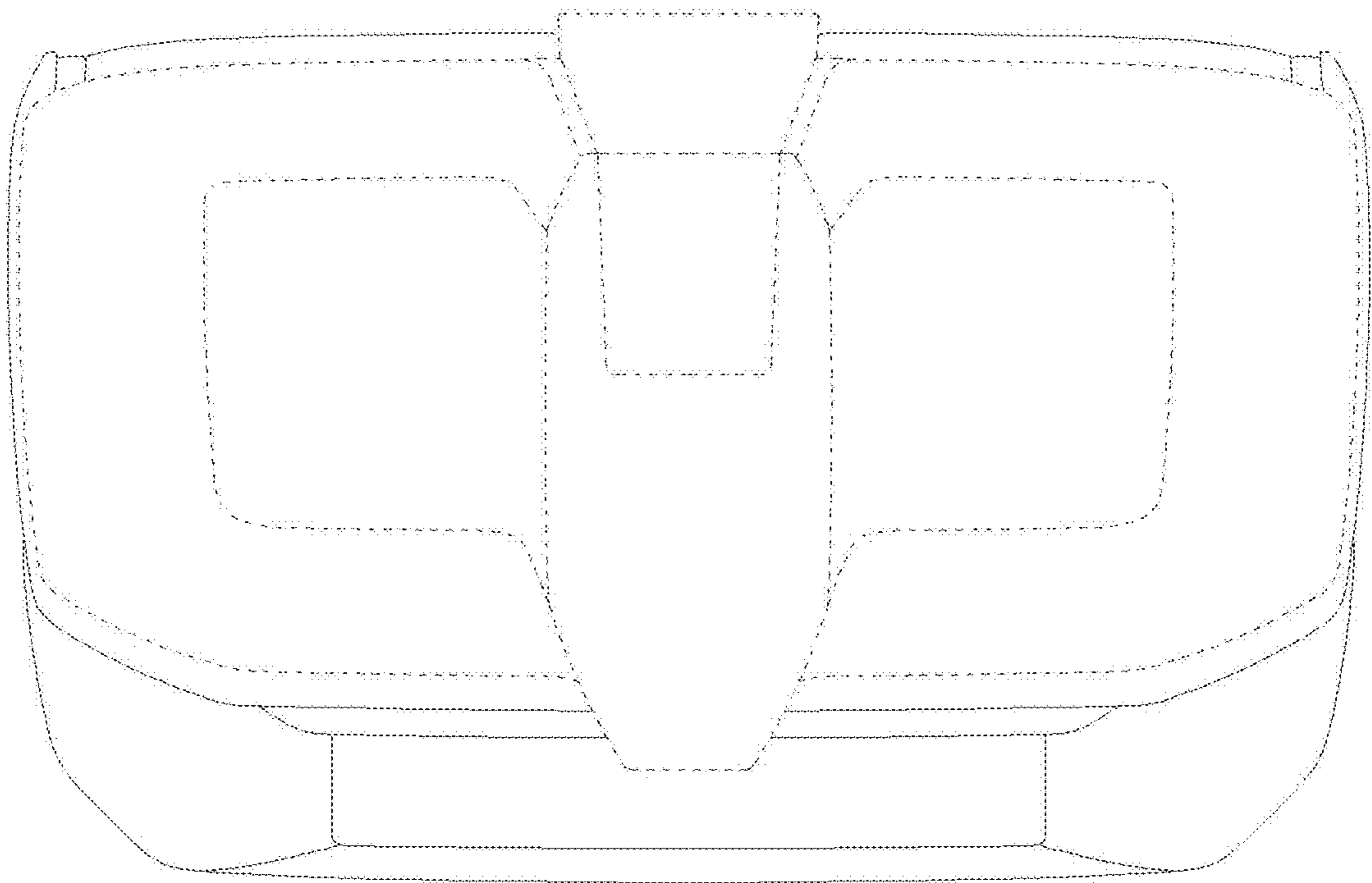
1.4



1.5



1.6





1.7

