

US00D924577S

(12) **United States Design Patent**
Marsden

(10) **Patent No.:** **US D924,577 S**

(45) **Date of Patent:** **** Jul. 13, 2021**

(54) **STEP STOOL**

(71) Applicant: **Elbee Pty Ltd.**, Bondi Junction (AU)

(72) Inventor: **Andrew Marsden**, Hingham, MA (US)

(73) Assignee: **Elbee Pty Ltd.**, Bondi Junction (AU)

(**) Term: **15 Years**

(21) Appl. No.: **29/705,722**

(22) Filed: **Sep. 13, 2019**

(51) **LOC (13) Cl.** **06-01**

(52) **U.S. Cl.**

USPC **D6/349**; D25/65

(58) **Field of Classification Search**

USPC D6/334–338, 340–343, 349–353, 355,
D6/364–365, 372, 374, 691–691.1,

D6/692–692.6, 716–716.1; D25/63, 65

CPC A47B 7/00–02; A47C 11/00; A47C 12/00;

A47C 13/00; A47C 16/00; A47C

16/02–04; A47C 9/00–105; A47K 17/02;

A47K 17/028

See application file for complete search history.

(56) **References Cited**

U.S. PATENT DOCUMENTS

D307,800 S * 5/1990 Hradisky D25/65

5,094,505 A * 3/1992 Nichols A47C 12/02
182/33.3

D335,966 S * 6/1993 Schwartzkopf D6/349

D351,476 S * 10/1994 Grosfillex D25/63

D414,566 S * 9/1999 Gibson D25/65

D443,072 S * 5/2001 Schultz D25/65

D449,386 S * 10/2001 Cheris D25/65

D563,685 S * 3/2008 Adams D6/350

D597,684 S * 8/2009 Genova D25/63

D600,929 S 9/2009 Kemnitzer

D606,768 S * 12/2009 Tu D6/350

D618,229 S * 6/2010 de Jong D14/250

D636,396 S * 4/2011 Li D14/439

D666,182 S * 8/2012 Zheng D14/248

D724,866 S * 3/2015 Johnson D6/606

D743,091 S 11/2015 Degrandis et al.

10,123,669 B2 11/2018 Edwards

10,368,638 B2 * 8/2019 Hui A47B 83/02

D865,386 S * 11/2019 Sphikas D6/350

2008/0257280 A1 * 10/2008 Jakubowski A01K 1/035

119/849

2015/0359390 A1 * 12/2015 Goetz A47C 3/04

4/611

OTHER PUBLICATIONS

Two-Step Plastic Step Stool. [online] Retrieved Nov. 17, 2020 from URL: <https://www.menards.com/main/paint/ladders-scaffolding/step-stools-step-ladders/two-step-plastic-step-stool-250-lb-max/41309/p-4364363663400790.htm>.*

(Continued)

Primary Examiner — Vy N Koenig

(74) *Attorney, Agent, or Firm* — Wolf, Greenfield & Sacks, P.C.

(57) **CLAIM**

The ornamental design for a step stool, as shown and described.

DESCRIPTION

FIG. 1 is a top, front, and left side perspective view of a step stool according to our new design;

FIG. 2 is a top, front, and right side perspective view thereof;

FIG. 3 is a front elevation view thereof;

FIG. 4 is a rear elevation view thereof;

FIG. 5 is a left side elevation view thereof;

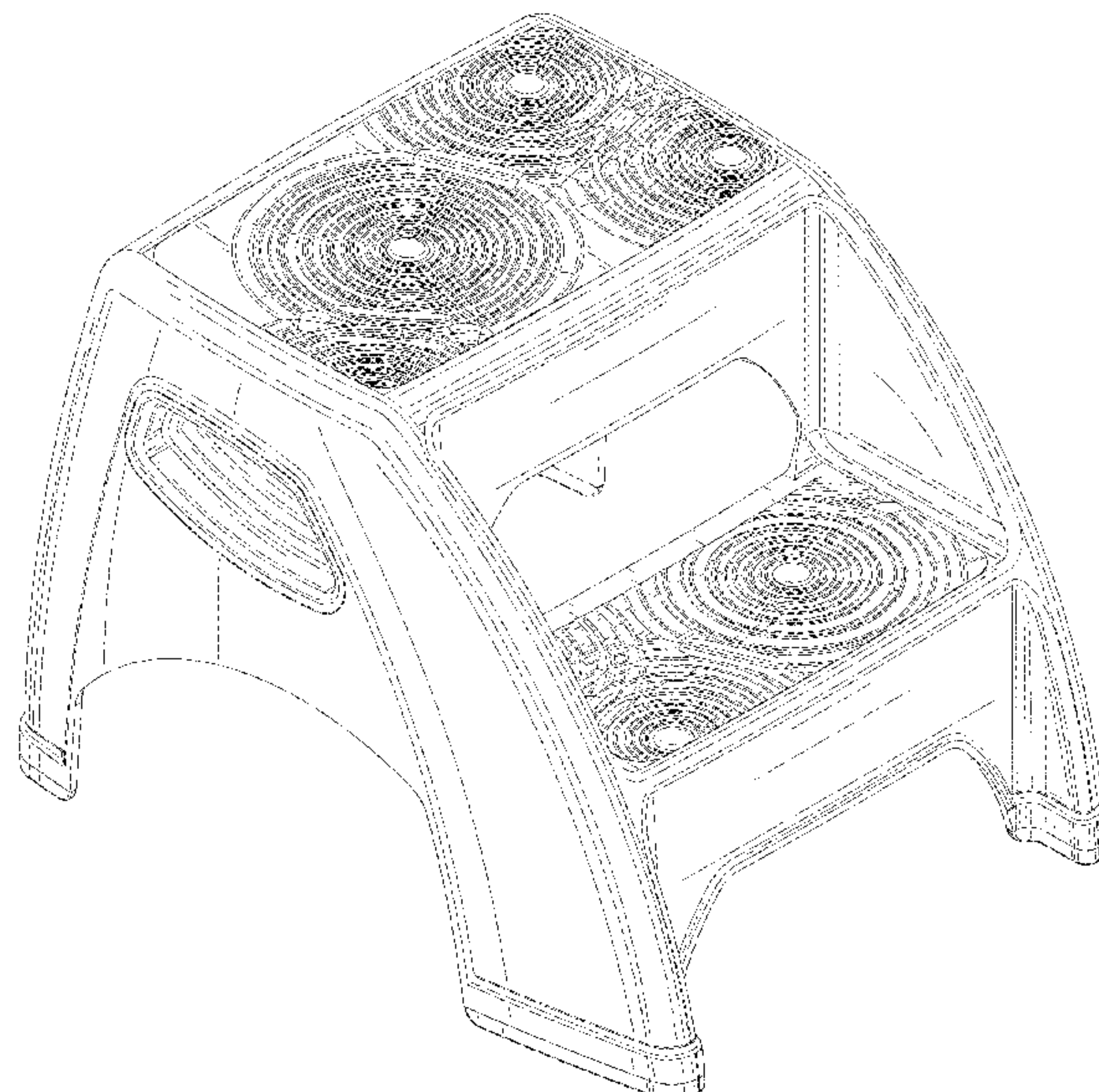
FIG. 6 is a right side elevation view thereof;

FIG. 7 is a top plan view thereof; and,

FIG. 8 is a bottom plan view thereof.

The broken lines illustrate portions of the step stool that form no part of the claimed design.

1 Claim, 8 Drawing Sheets



(56)

References Cited

OTHER PUBLICATIONS

Top 5 Best Plastic Step Stool Review in 2020. [online] Retrieved Nov. 17, 2020 from URL: <https://greathomedepot.com/plastic-step-stool/>.*

[No Author Listed] Rolling Step Stool—Black, Model No. H-7846BL. Uline. <https://www.uline.com/Product/Detail/H-7846BL/Ladders/Rolling-Step-Stool-Black?pricode=WB8203&gadtype=pla&id=H-7846BL&gclid=>

[EAIAIQobChMlrOCd9pLj4wIVBVYMCh2rbgiyEAQYAyABEgLkBPD_BwE&gclidsrc=aw.ds](https://www.uline.com/Product/Detail/H-7846BL/Ladders/Rolling-Step-Stool-Black?pricode=WB8203&gadtype=pla&id=H-7846BL&gclid=EAIAIQobChMlrOCd9pLj4wIVBVYMCh2rbgiyEAQYAyABEgLkBPD_BwE&gclidsrc=aw.ds), publicly available at least as early as Aug. 4, 2019, 1 page.

[No Author Listed] Dreambaby Step Stool. Publicly available prior to Sep. 13, 2018, 1 page.

[No Author Listed] Dreambaby Two-Step Stool. Publicly available prior to Sep. 13, 2018. 1 page.

[No Author Listed] Handy Home Step Stool. Publicly available prior to Sep. 13, 2019, 1 page.

[No Author Listed] Prince Lionheart Uppy2 Step Stool. Publicly available prior to Sep. 13, 2019, 1 page.

[No Author Listed] Rubbermaid Step Stool. Publicly available prior to Sep. 13, 2019, 1 page.

[No Author Listed] Step Stool A. Publicly available prior to Sep. 13, 2019, 1 page.

[No Author Listed] Step Stool B. Publicly available prior to Sep. 13, 2019, 1 page.

[No Author Listed] Step Stool C. Publicly available prior to Sep. 13, 2019, 1 page.

* cited by examiner

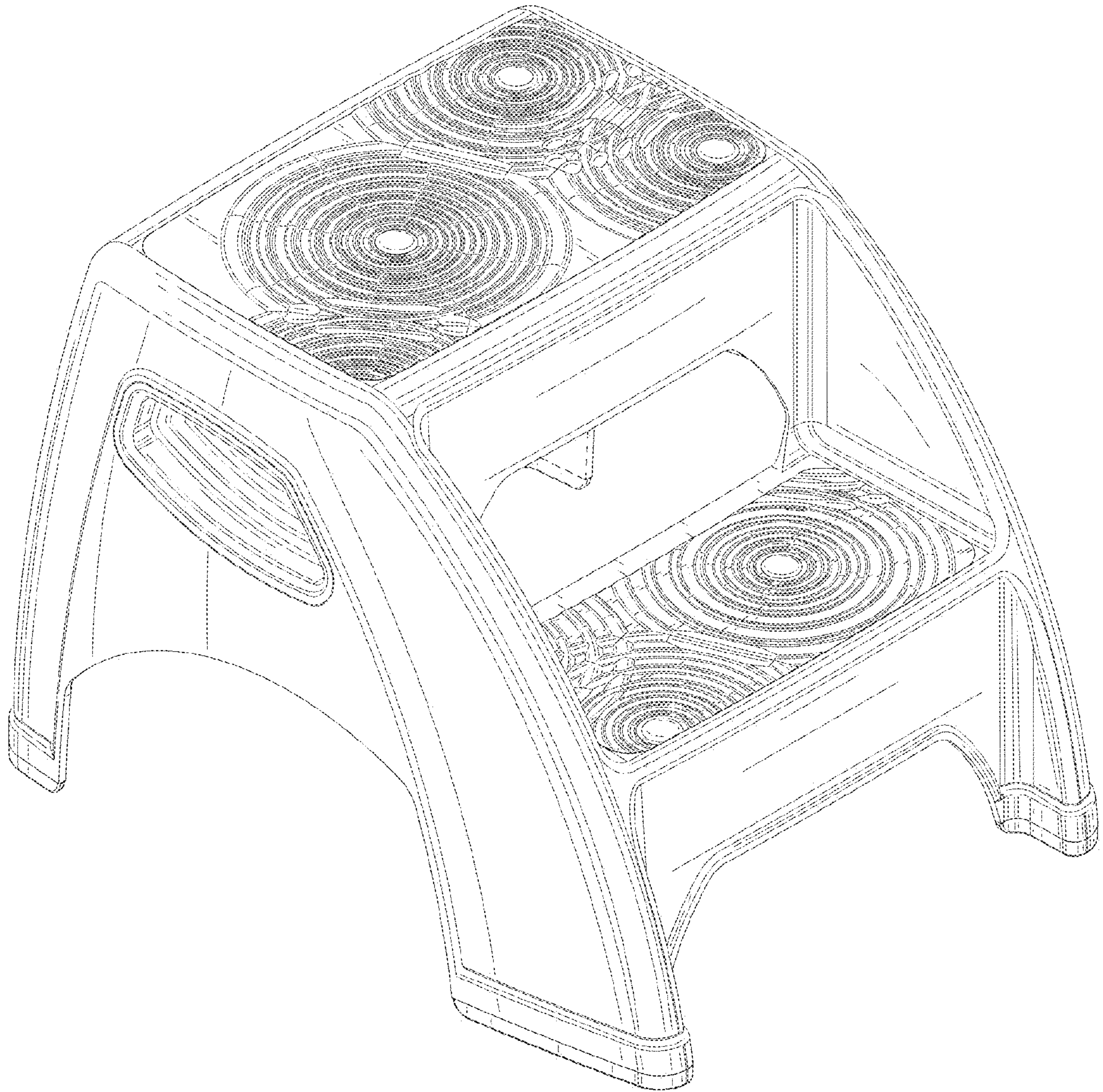


FIG. 1

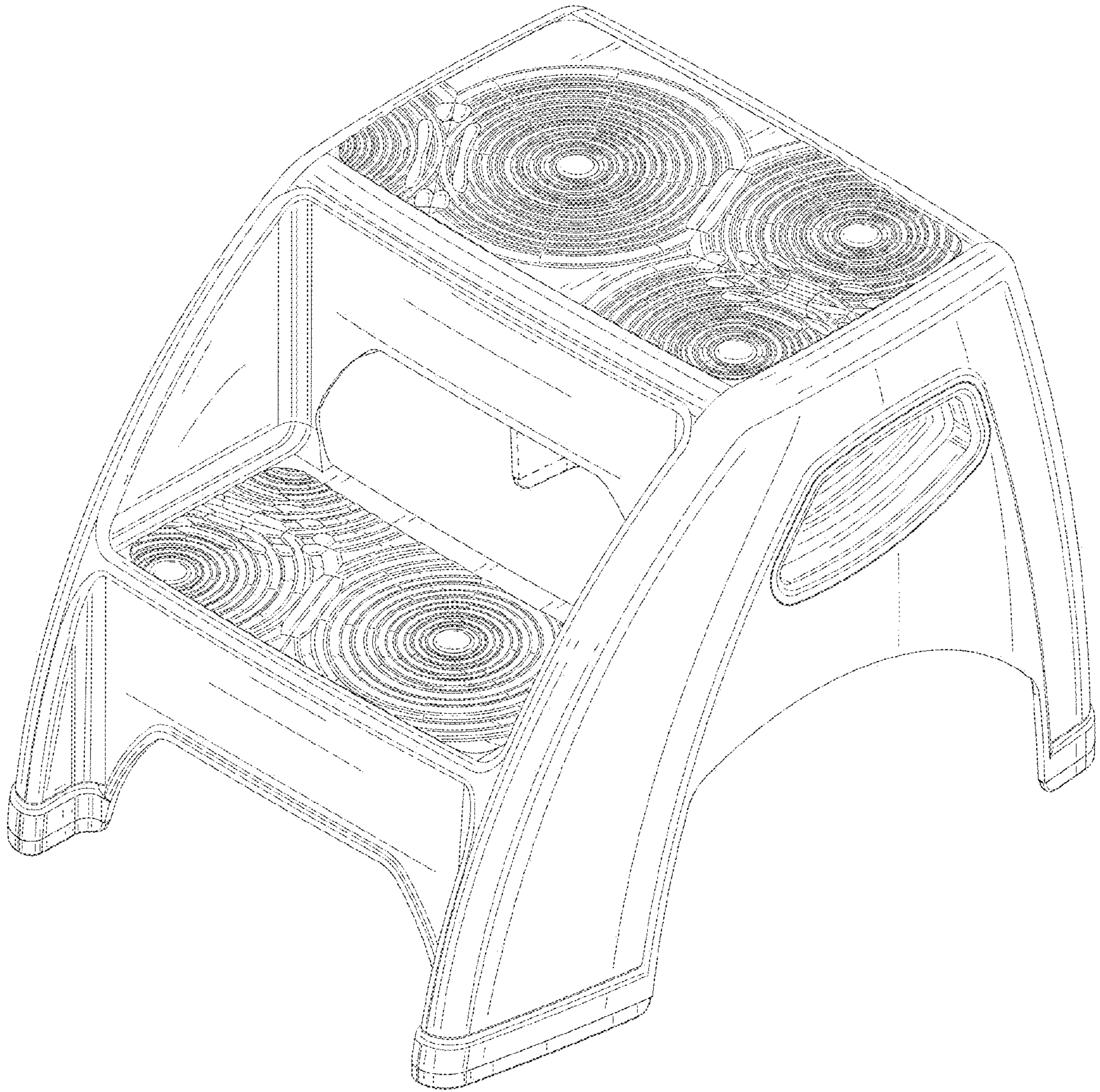


FIG. 2

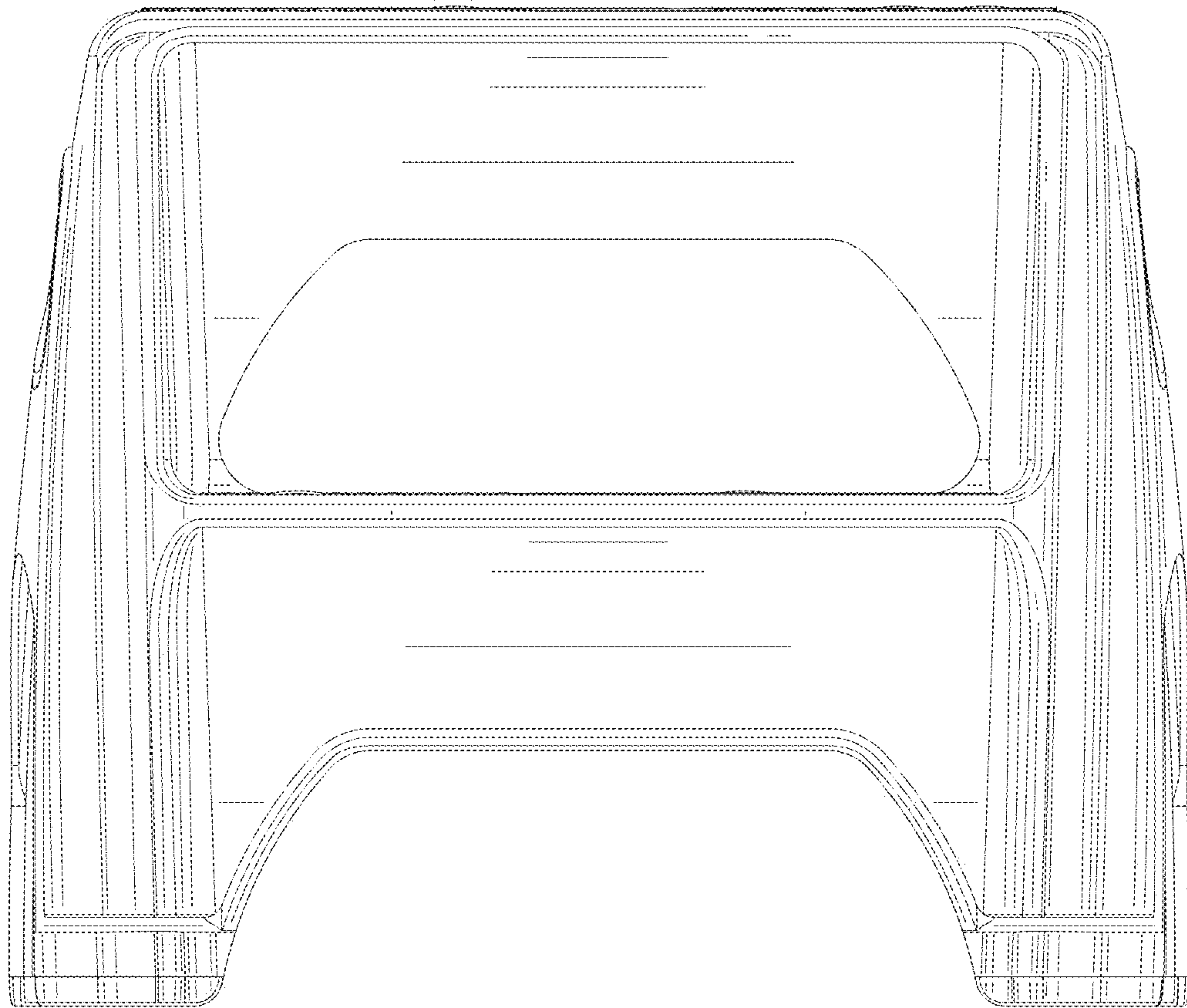


FIG. 3

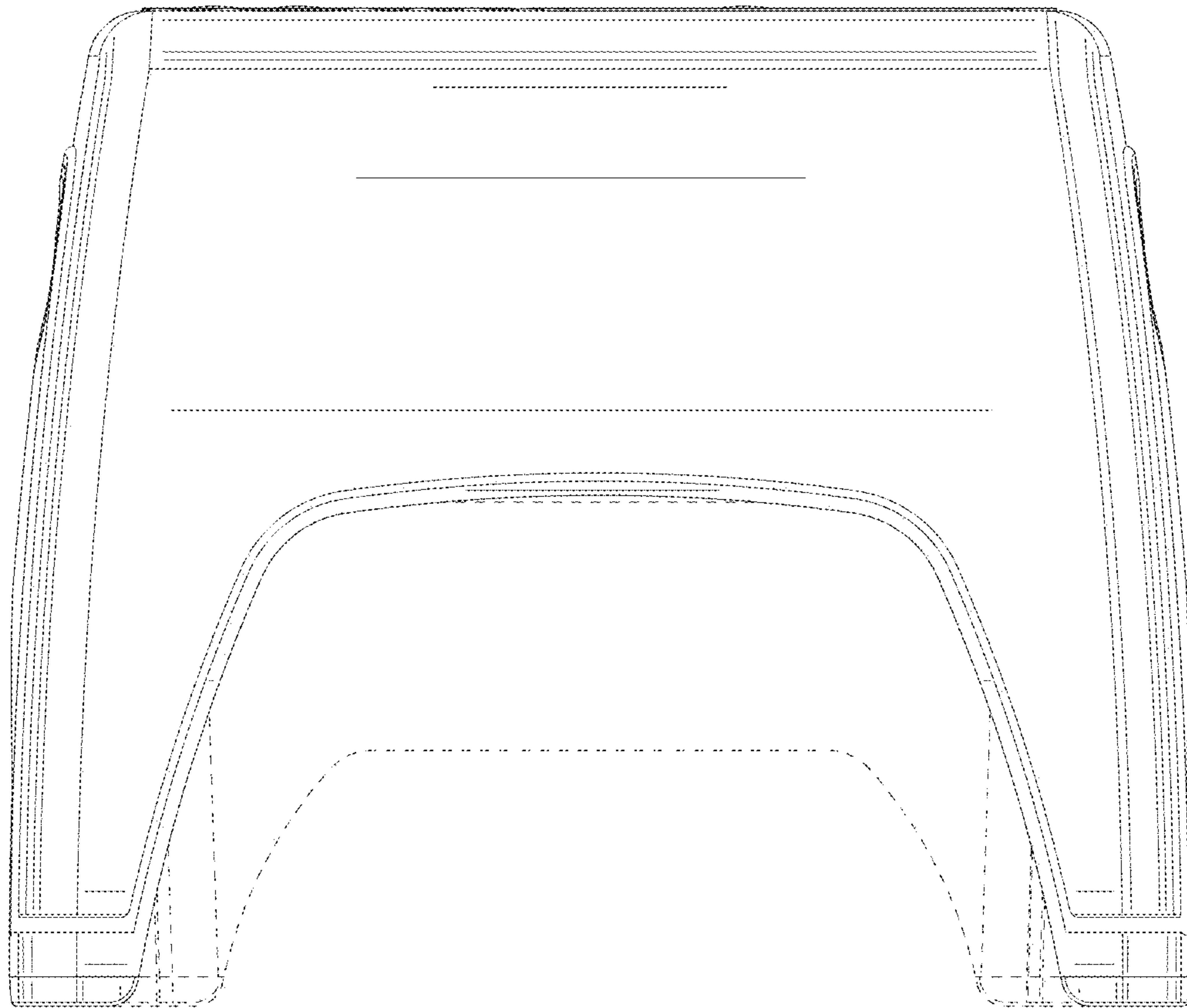


FIG. 4

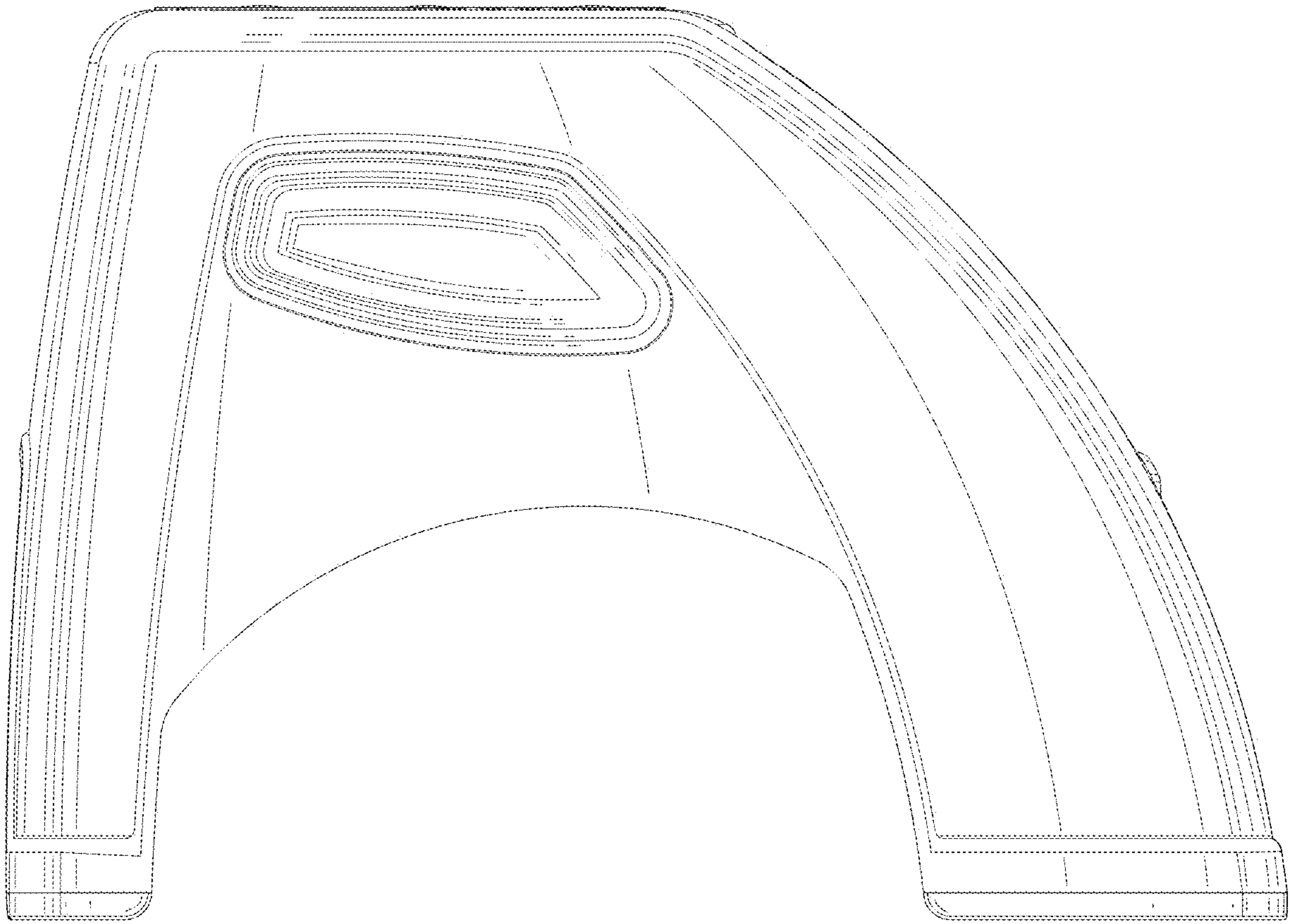


FIG. 5

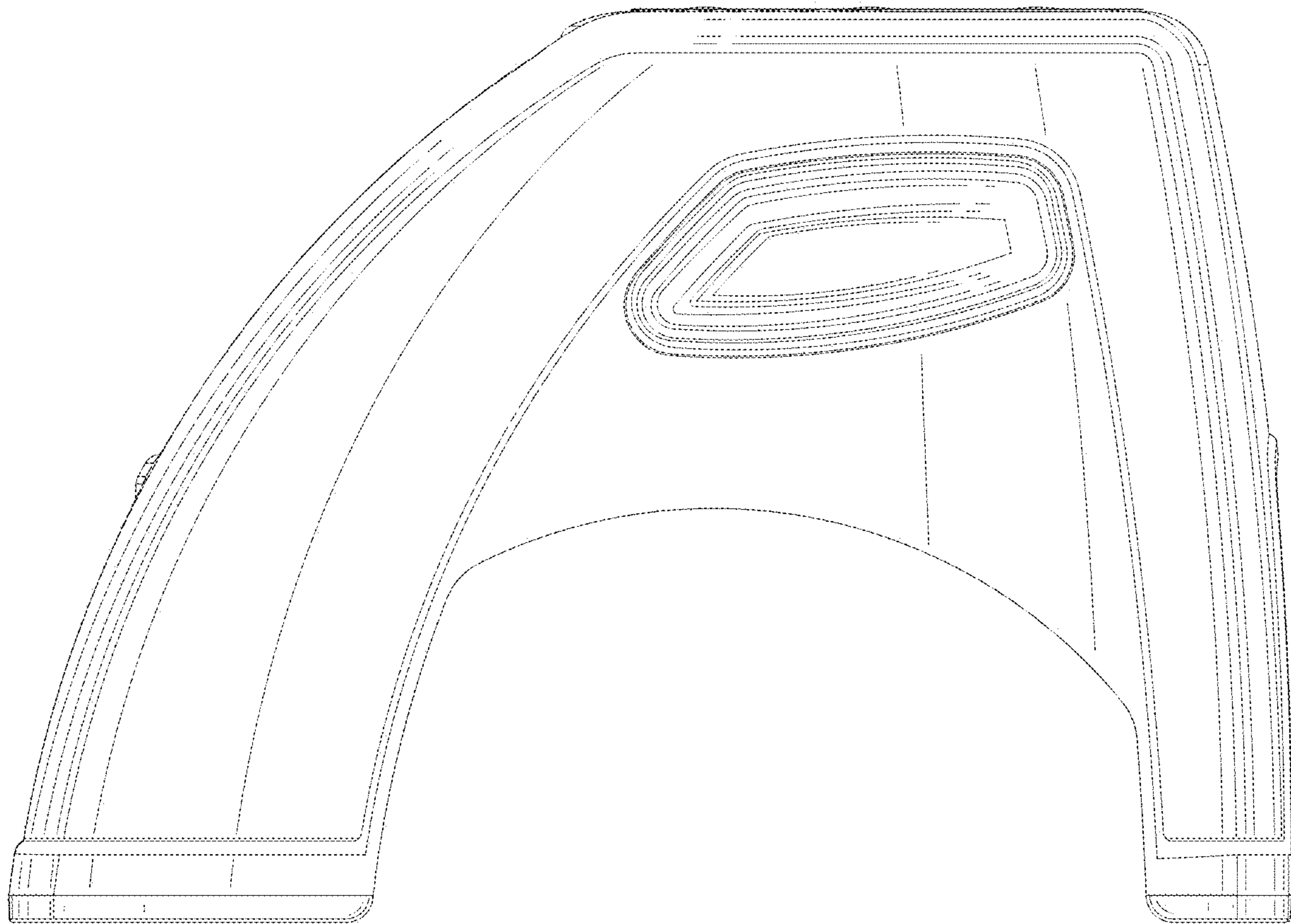


FIG. 6

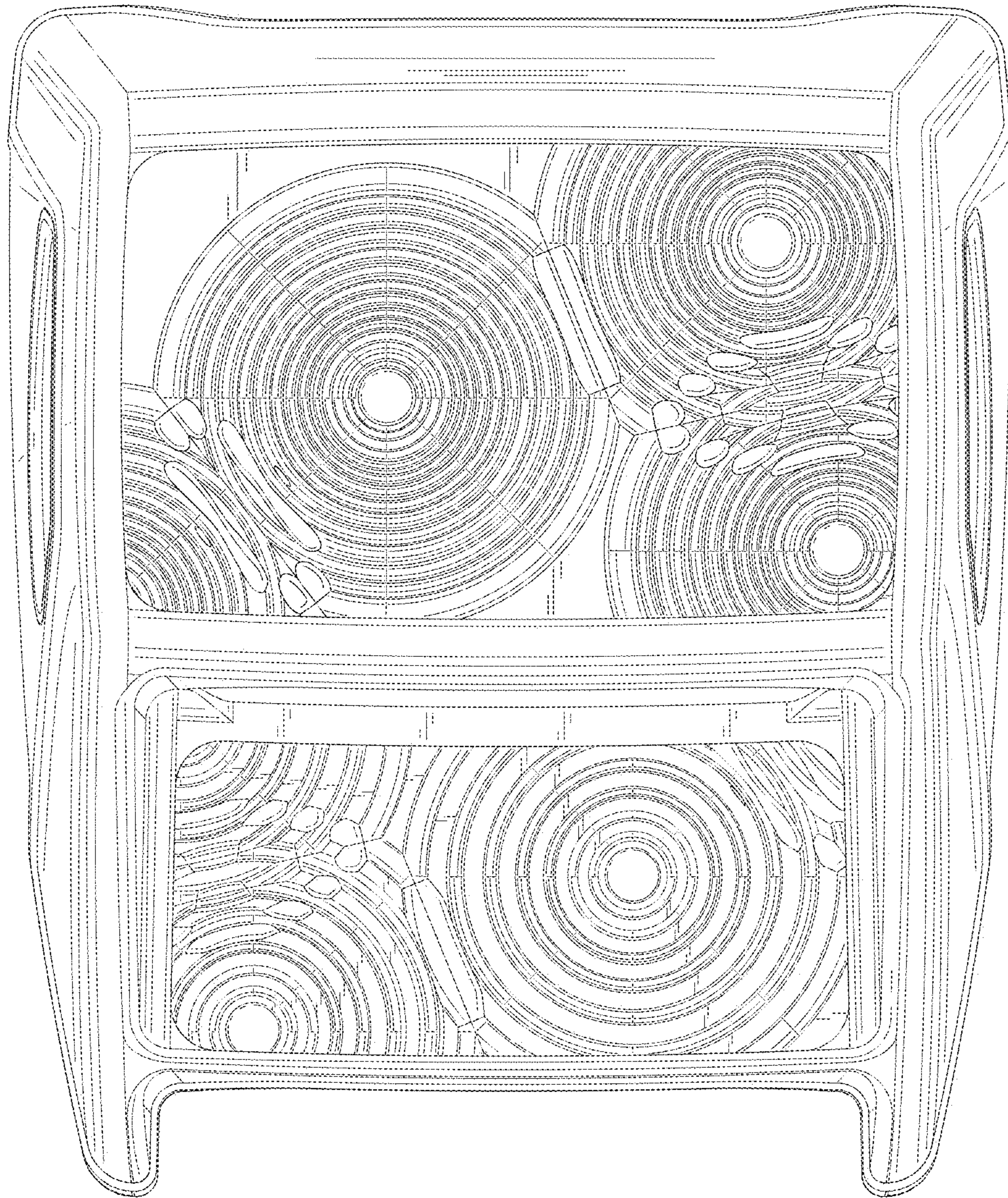


FIG. 7



FIG. 8