



US00D924576S

(12) **United States Design Patent** (10) **Patent No.:** **US D924,576 S**  
**Dorca Pujol et al.** (45) **Date of Patent:** **\*\* Jul. 13, 2021**

(54) **HIGHCHAIR**

2002/0212; B60N 2002/0216; B60N  
2002/022; A47C 3/00; A47C 3/02; A47C  
3/025; A47C 3/20

(71) Applicant: **Baby Jogger, LLC**, Atlanta, GA (US)

See application file for complete search history.

(72) Inventors: **Jordi Dorca Pujol**, San Joan de les  
Abadesses (ES); **Corey Barnes**, Grand  
Rapids, MI (US); **Min Sung Jeong**,  
Atlanta, GA (US)

(56) **References Cited**

U.S. PATENT DOCUMENTS

(73) Assignee: **Baby Jogger, LLC**, Atlanta, GA (US)

D386,911 S	*	12/1997	Perego	.....	D6/339
D677,912 S	*	3/2013	Gillett	.....	D6/339
D679,915 S	*	4/2013	Sturmey	.....	D6/339
D699,953 S	*	2/2014	Hartenstine	.....	D6/333
D811,758 S	*	3/2018	Festa	.....	D6/339
D839,616 S	*	2/2019	Yang	.....	D6/339

(\*\*) Term: **15 Years**

\* cited by examiner

(21) Appl. No.: **29/706,170**

(22) Filed: **Sep. 18, 2019**

*Primary Examiner* — Abraham Bahta

(51) **LOC (13) Cl.** ..... **06-01**

(52) **U.S. Cl.**

(57) **CLAIM**

USPC ..... **D6/339**

The ornamental design for a highchair, as shown and described.

(58) **Field of Classification Search**

**DESCRIPTION**

USPC ..... D6/333-336, 339, 344, 702, 716,  
D6/716.1-716.7; 297/183.1-183.4,  
297/184.13, 184.15, 184.17, 250.1, 255,  
297/256.1, 256.15, 219.12, 463.1;  
D12/129-130, 133; D21/412, 428, 419;  
280/30-31; 5/94, 98.1, 99.1, 101-102,  
5/105, 655, 93.1, 12.1; 24/200  
CPC ..... A47D 13/02; A47D 13/10; A47D 13/083;  
A47D 1/00; A47D 1/002; A47D 1/004;  
A47D 1/008; A47D 1/04; B60N 2/22;  
B60N 2/24; B60N 2/2821; B60N 2/02;  
B60N 2/10; B60N 2/16; B60N

FIG. 1 is a perspective view of a highchair, showing our new design;  
 FIG. 2 is a front view thereof;  
 FIG. 3 is a back view thereof;  
 FIG. 4 is a left view thereof; and,  
 FIG. 5 is a right view thereof.  
 The subject matter shown in dashed lines is for illustrative purposes and forms no part of the claimed design.

**1 Claim, 5 Drawing Sheets**

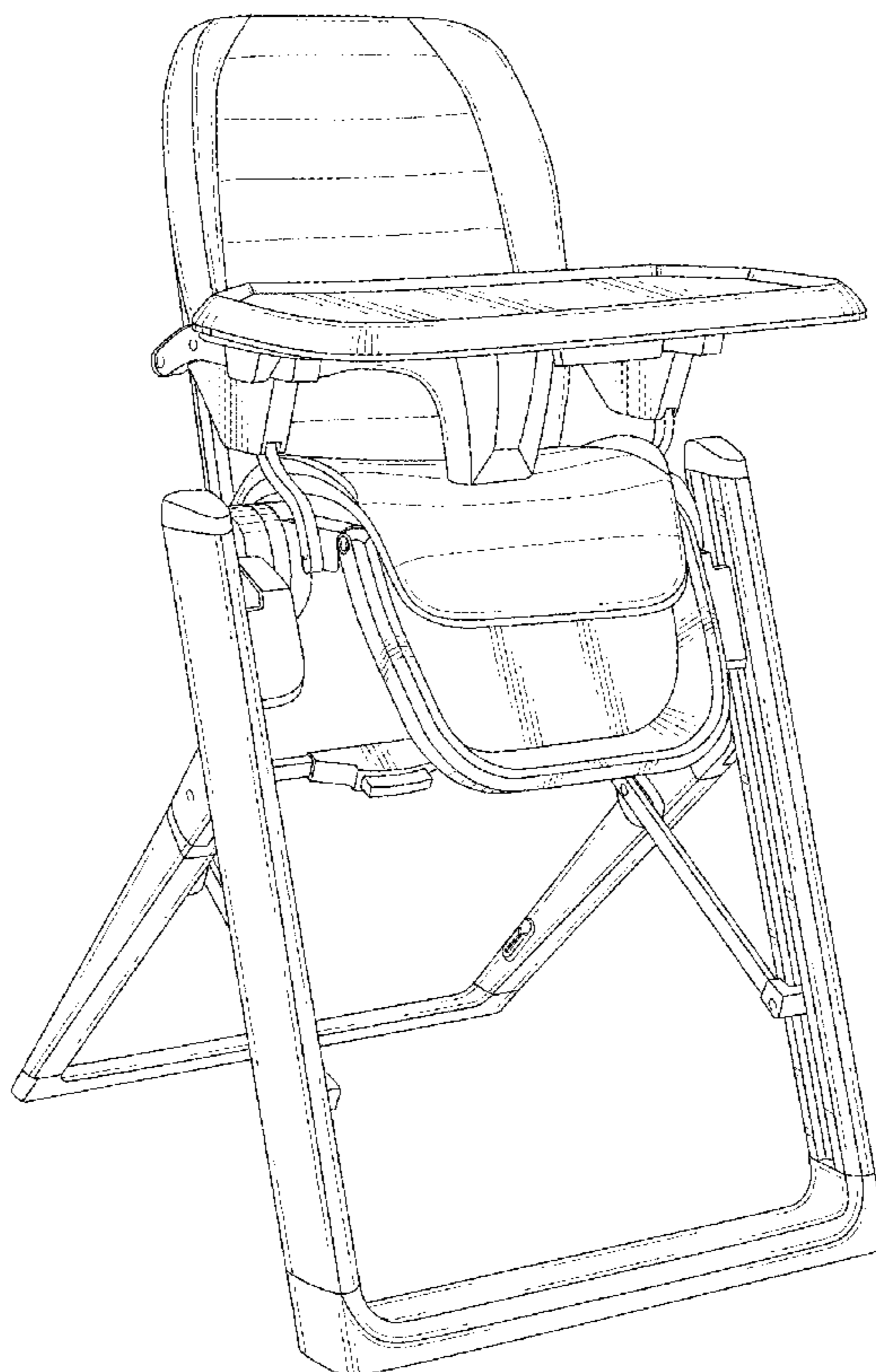


FIG. 1

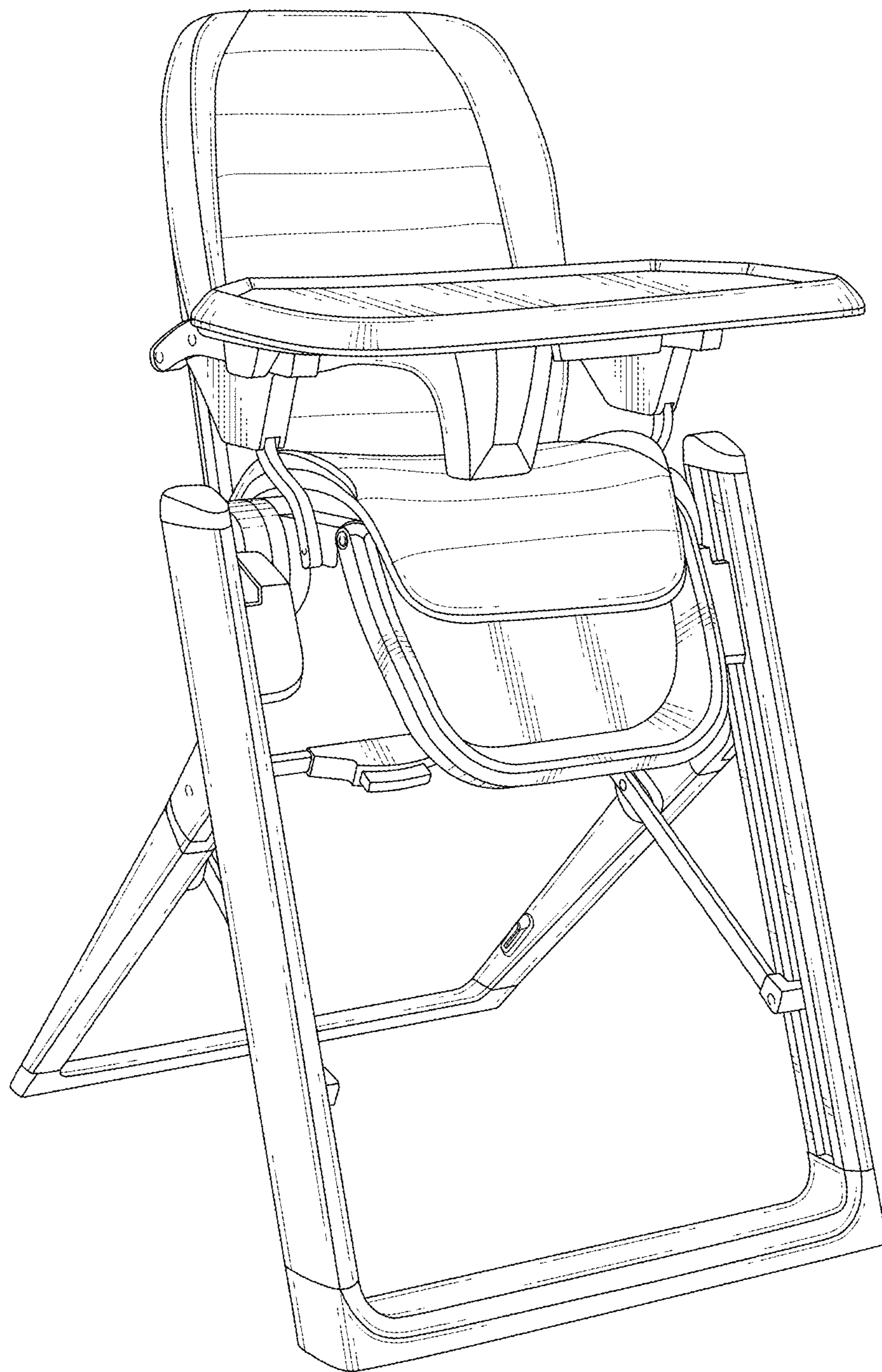


FIG. 2

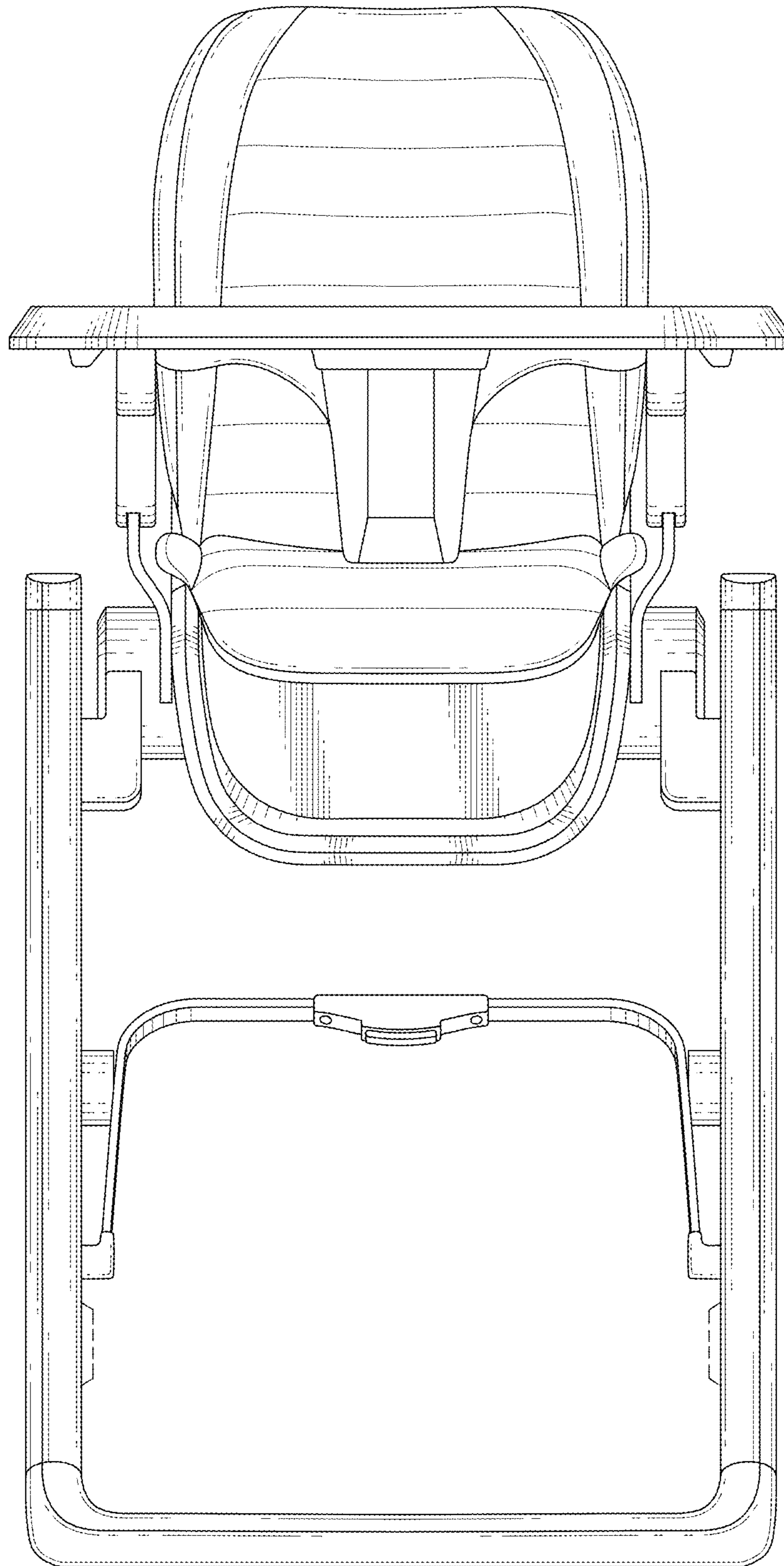




FIG. 3

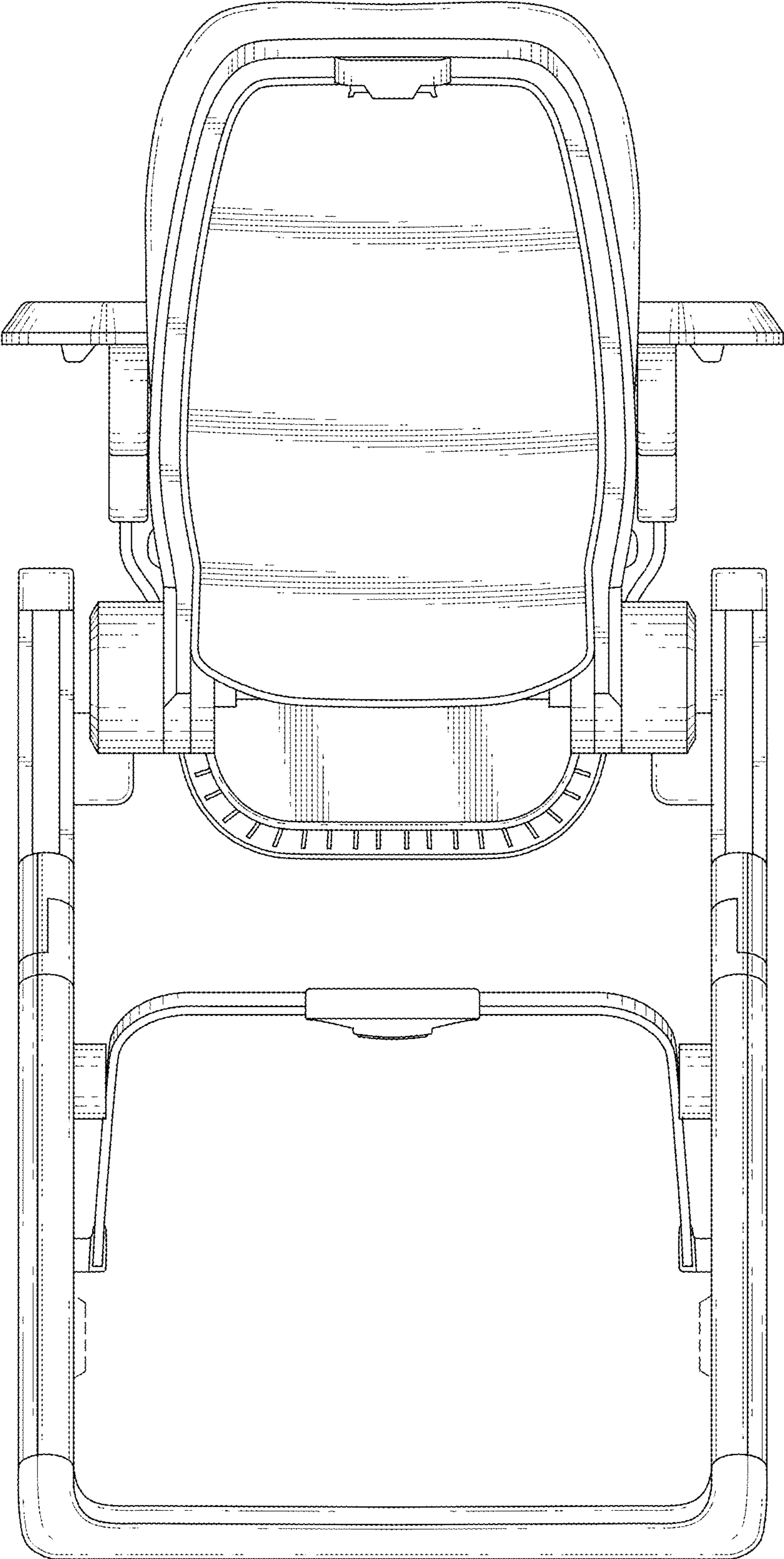


FIG. 4

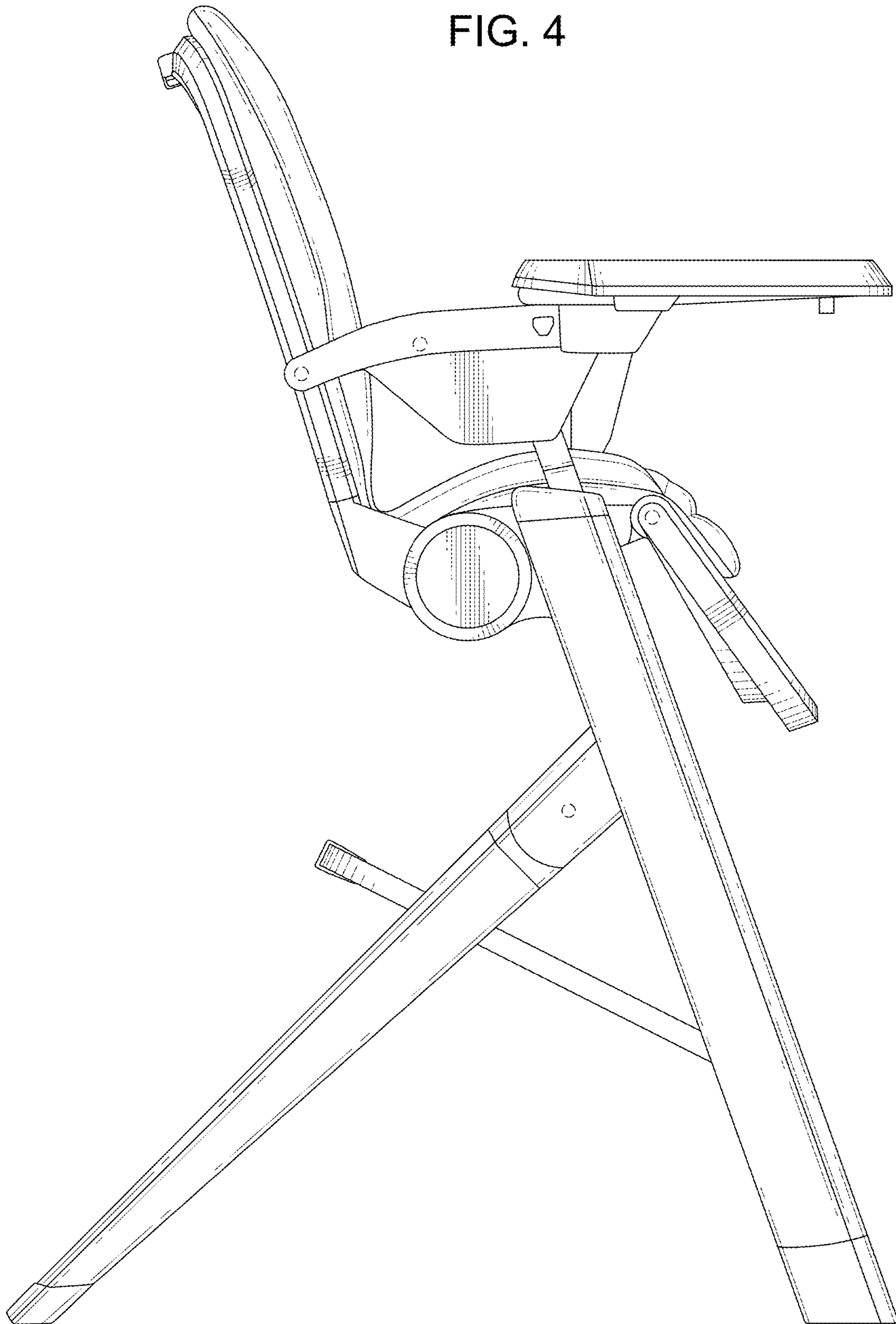


FIG. 5

