



US00D924575S

(12) **United States Design Patent**
Opsvik

(10) **Patent No.:** **US D924,575 S**

(45) **Date of Patent:** **** Jul. 13, 2021**

(54) **BACK REST FOR A CHAIR**

1/00; A47D 1/106; B60N 2/22; B60N
2/24; A47C 7/00; A47C 7/021; A47C
7/002; A47C 7/18

(71) Applicant: **Peter Opsvik AS**, Oslo (NO)

See application file for complete search history.

(72) Inventor: **Peter Opsvik**, Oslo (NO)

(73) Assignee: **Peter Opsvik AS**, Oslo (NO)

(56) **References Cited**

(**) Term: **15 Years**

U.S. PATENT DOCUMENTS

(21) Appl. No.: **29/697,692**

D381,817 S * 8/1997 Cone, II D6/333
D660,607 S * 5/2012 Dai D6/333
D839,008 S * 1/2019 Pruden D6/333

(22) Filed: **Jul. 10, 2019**

* cited by examiner

(30) **Foreign Application Priority Data**

Jan. 16, 2019 (EM) 006039012-0001

Primary Examiner — Abraham Bahta

(51) **LOC (13) Cl.** **06-01**

(74) *Attorney, Agent, or Firm* — Kolisch Hartwell, P.C.

(52) **U.S. Cl.**

(57) **CLAIM**

USPC **D6/333**

The ornamental design for a back rest for a chair, as shown
and described.

(58) **Field of Classification Search**

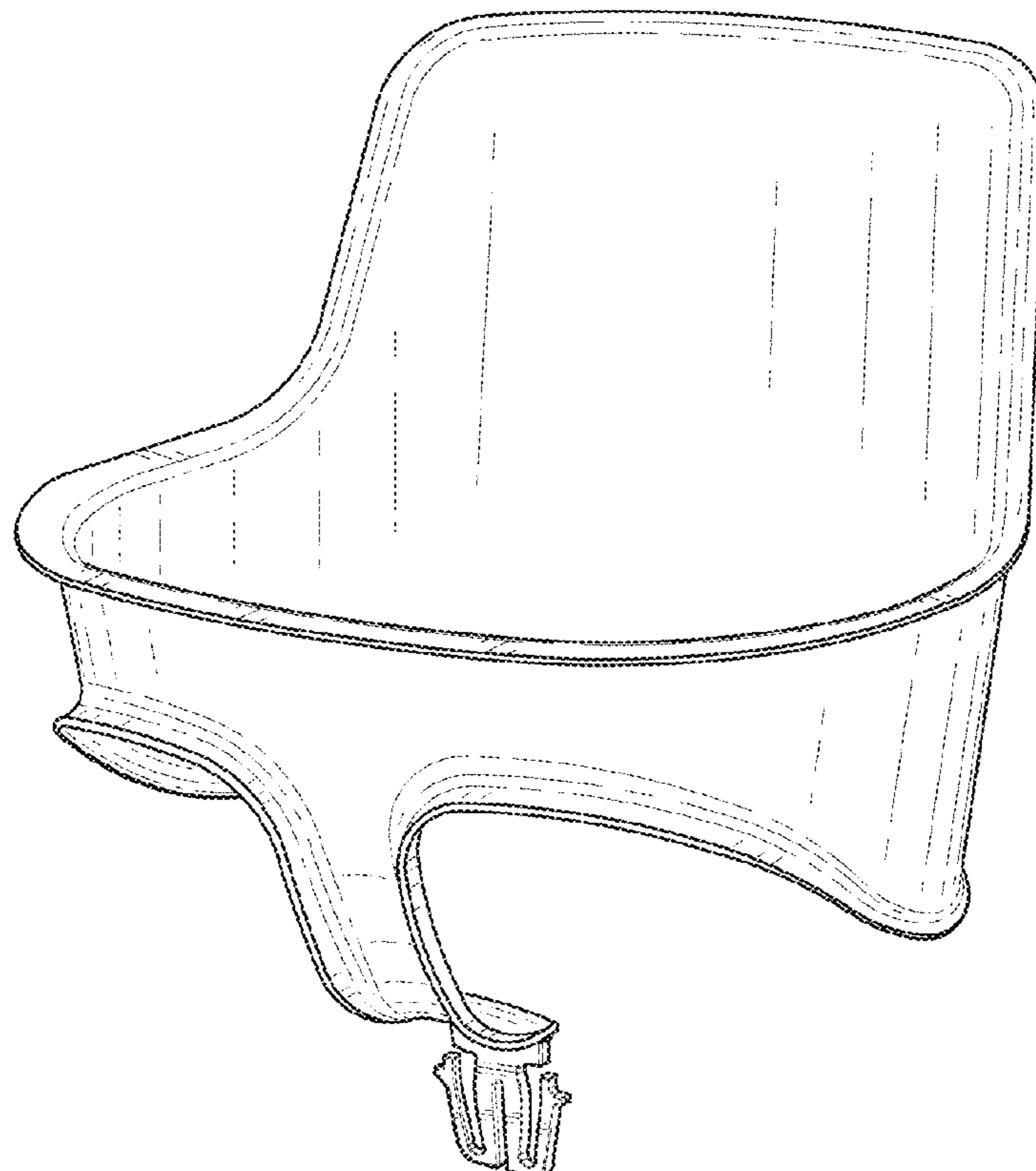
DESCRIPTION

USPC D6/333-336, 355, 375, 388, 512, 563,
D6/564, 595, 596, 601, 611, 707, 715,
D6/716, 716.1; D24/183-185, 234;
5/401, 420, 600, 630-639, 646, 652,
5/652.1, 655, 703, 730; 297/1, 2, 4, 93,
297/180.11, 195.1, 195.11, 195.13, 393,
297/397, 452.12, 452.14, 452.15, 452.21,
297/452.24, 452.26, 452.48, 452.62, 482;
D21/803-805, 809

FIG. 1 is an upper, front, and left side perspective view
showing my new design;
FIG. 2 is a front elevation view thereof;
FIG. 3 is a rear elevation view thereof;
FIG. 4 is a right side elevation view thereof;
FIG. 5 is a left side elevation view thereof;
FIG. 6 is a top plan view thereof; and,
FIG. 7 is a bottom plan view thereof.

CPC A47G 9/10; A47G 9/1009; A47G 9/1027;
A47G 9/1045; A47G 9/1063; A47G
9/1072; A47G 9/1081; A47L 3/02; A47D

1 Claim, 7 Drawing Sheets



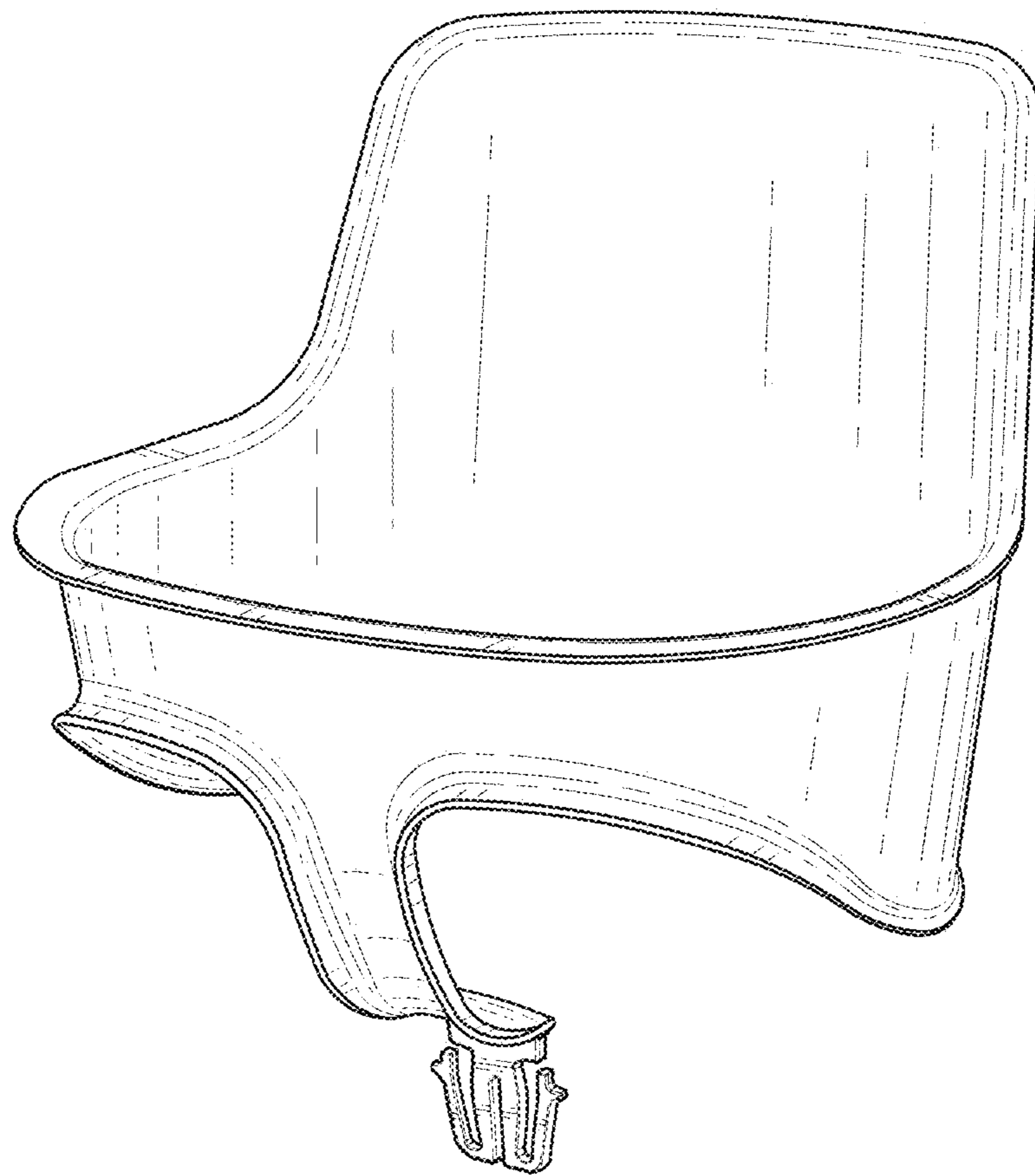


FIG. 1

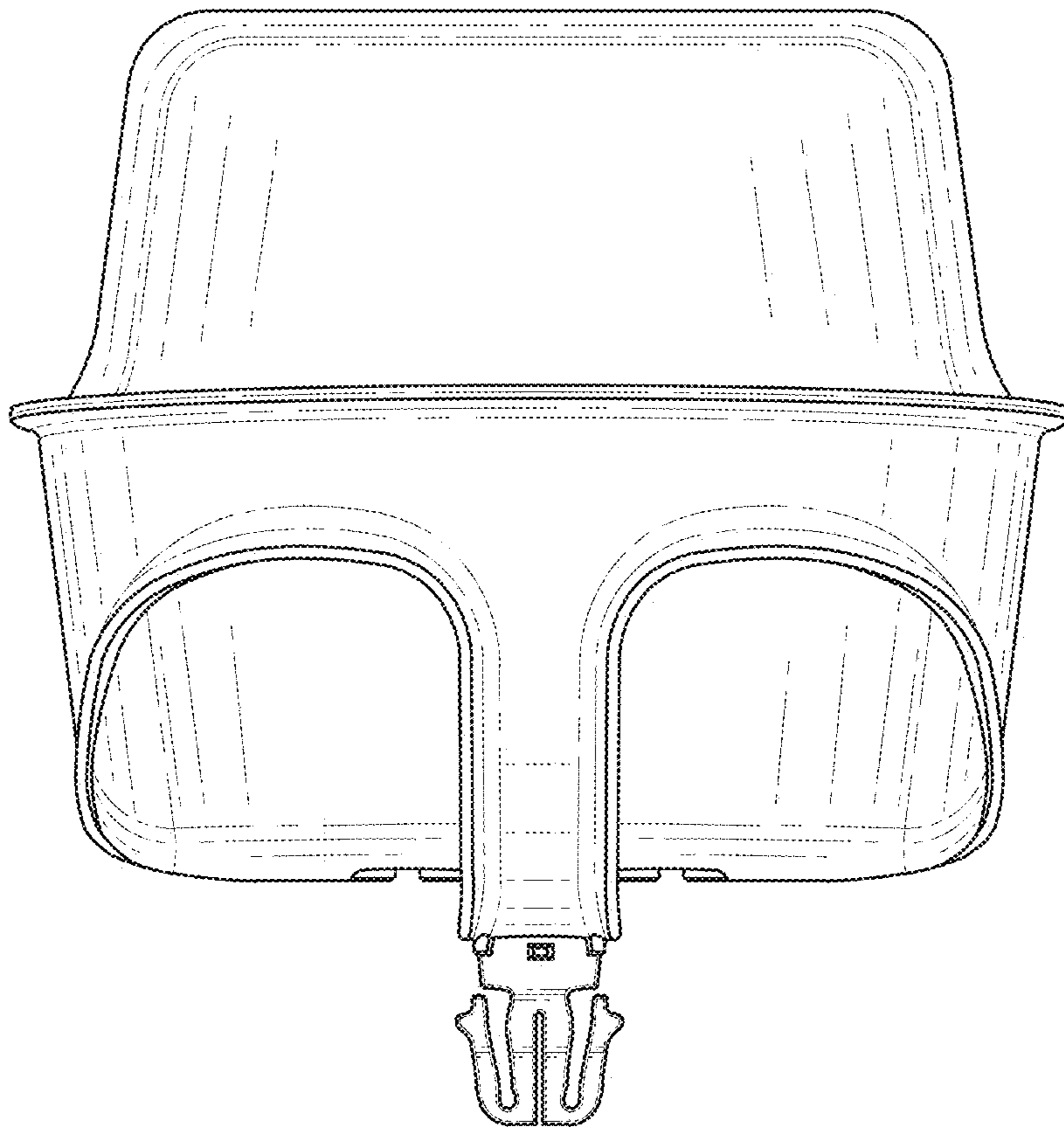


FIG. 2

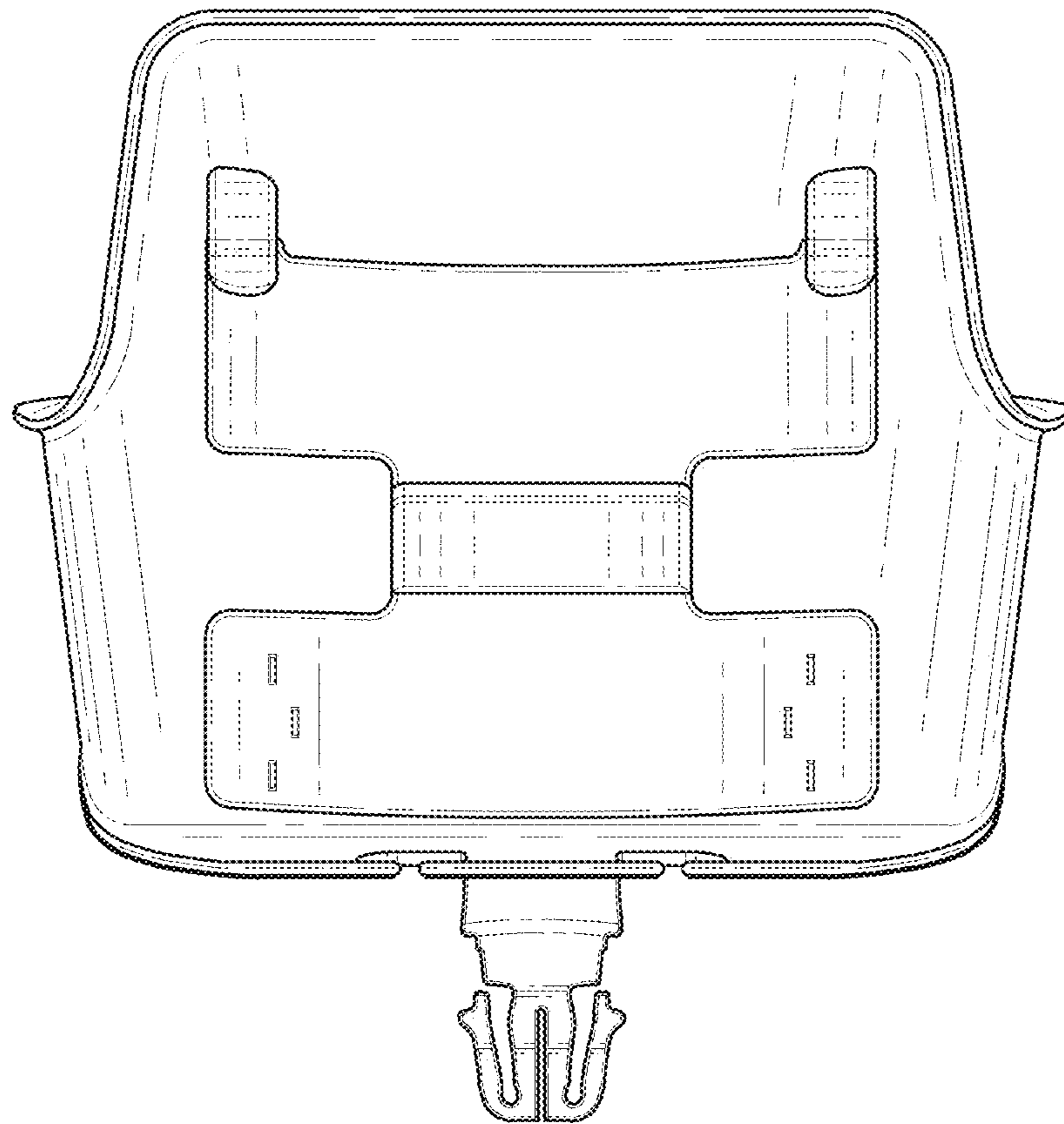


FIG. 3

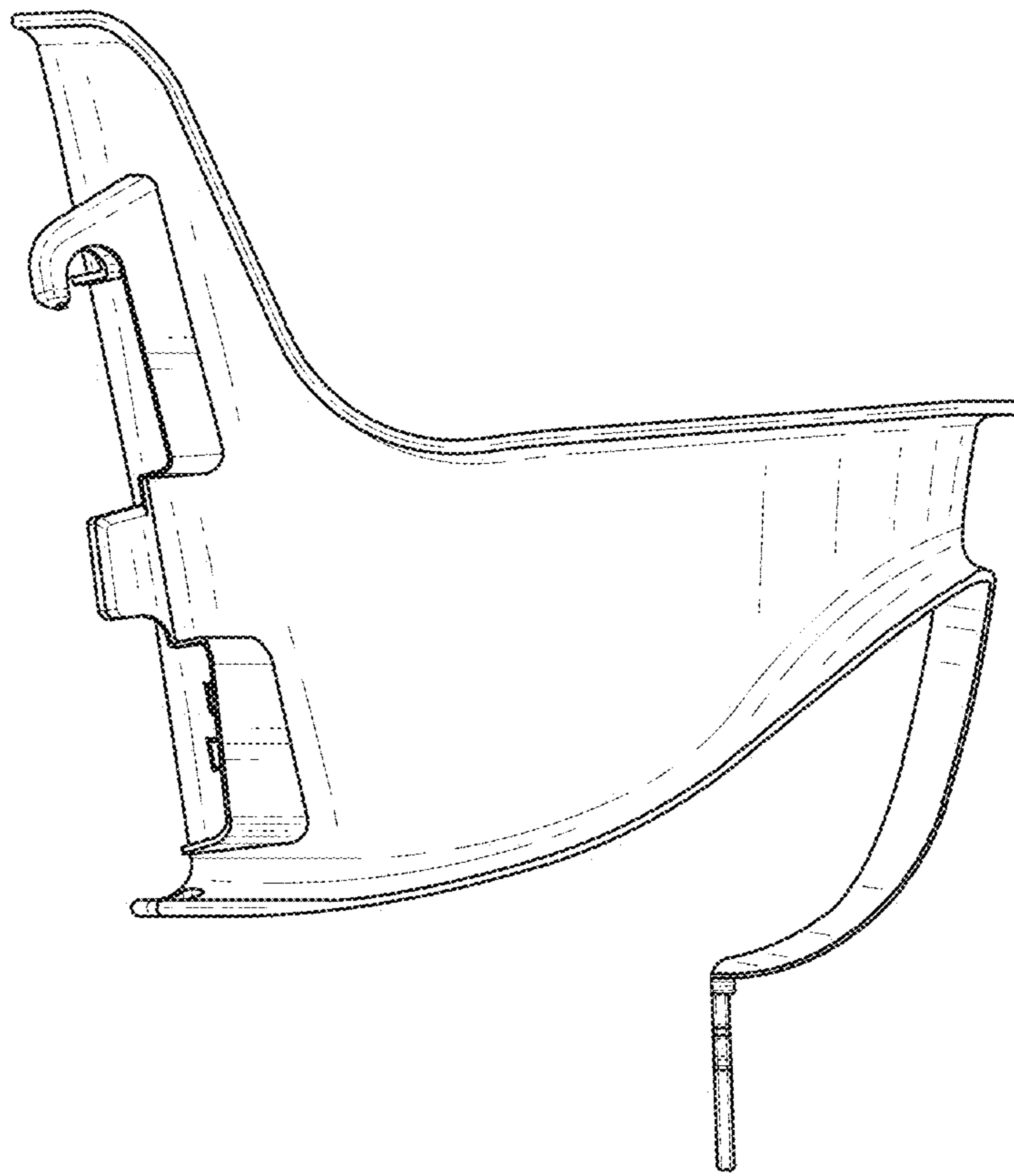


FIG. 4

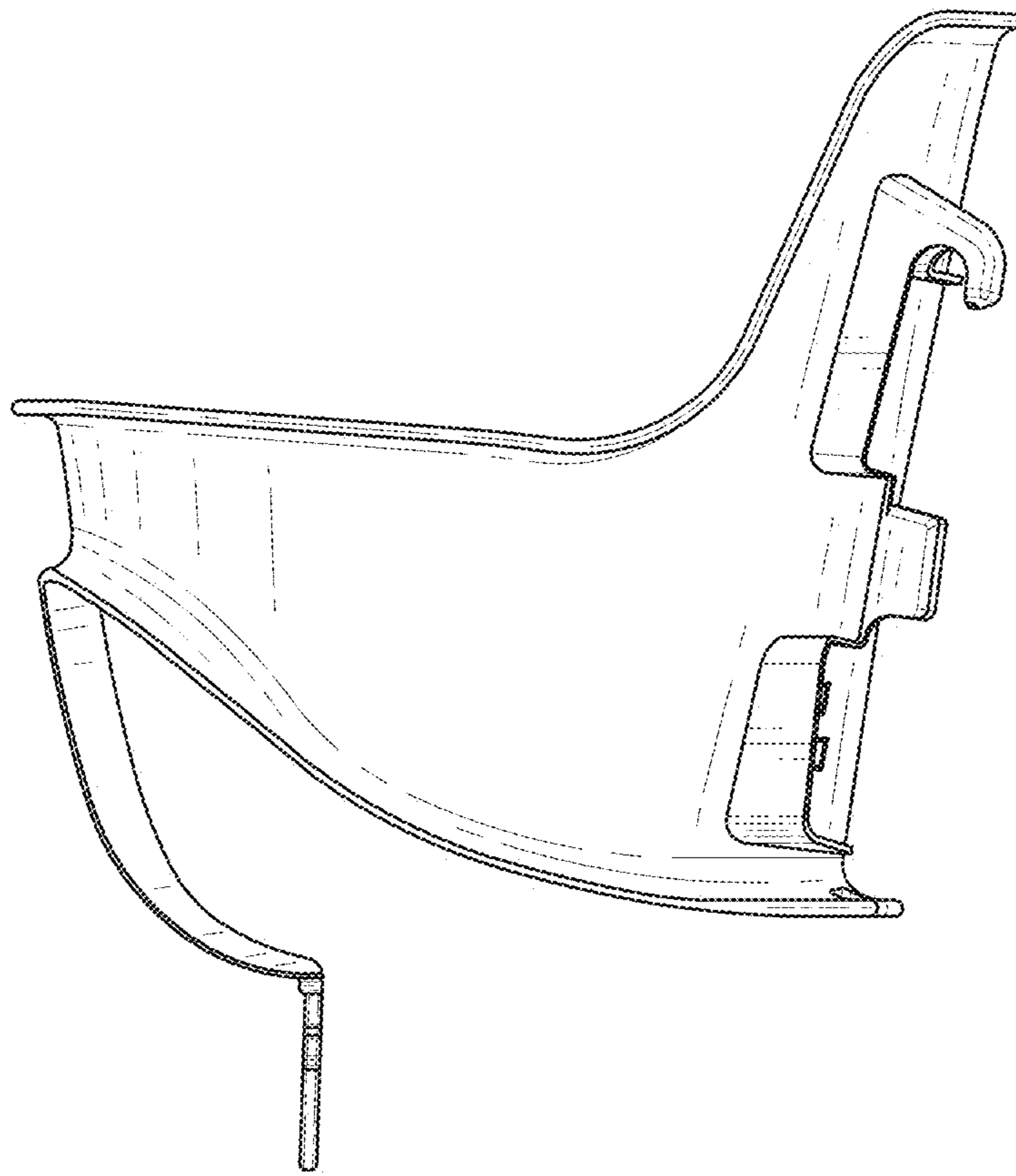


FIG. 5

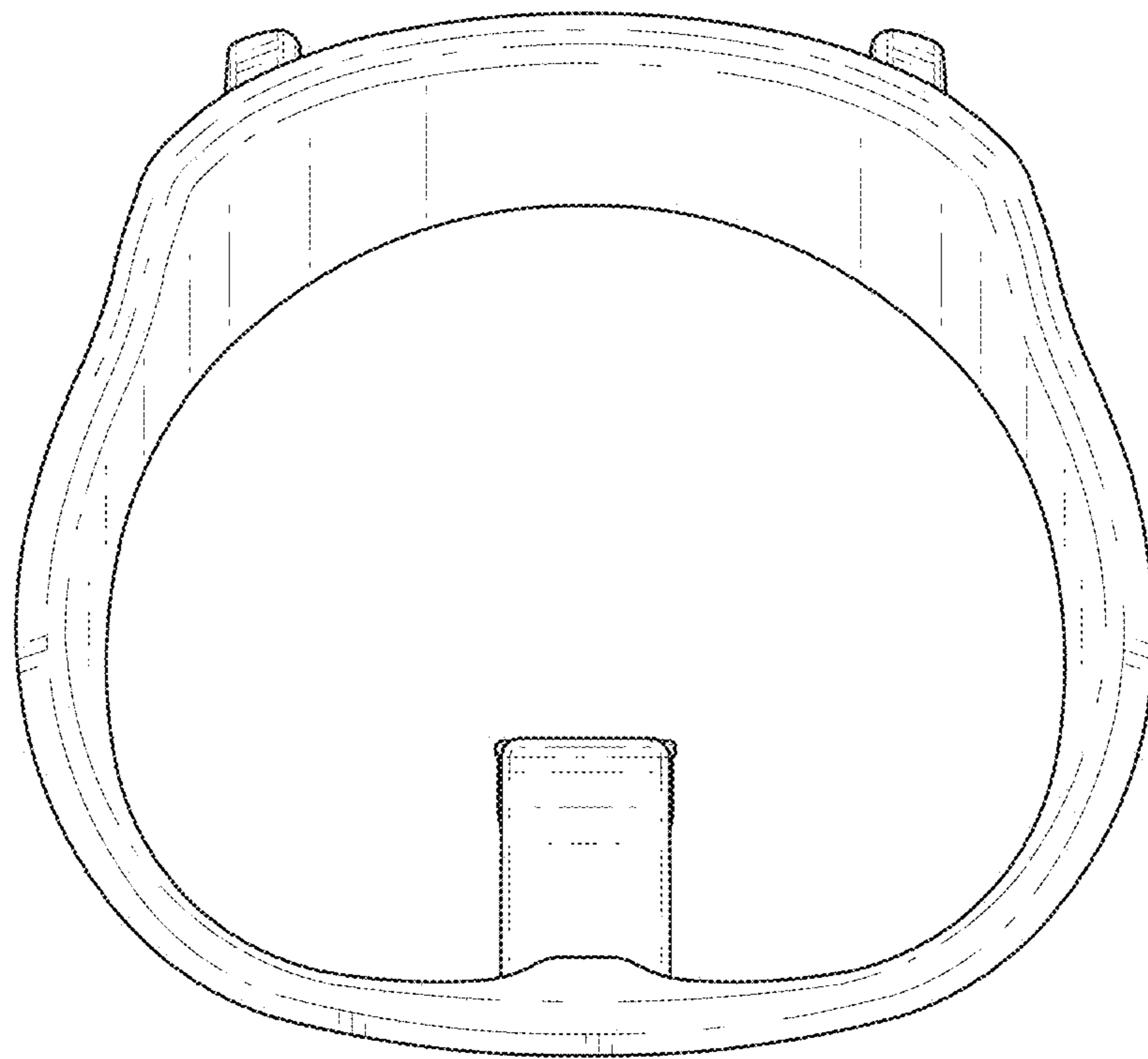


FIG. 6

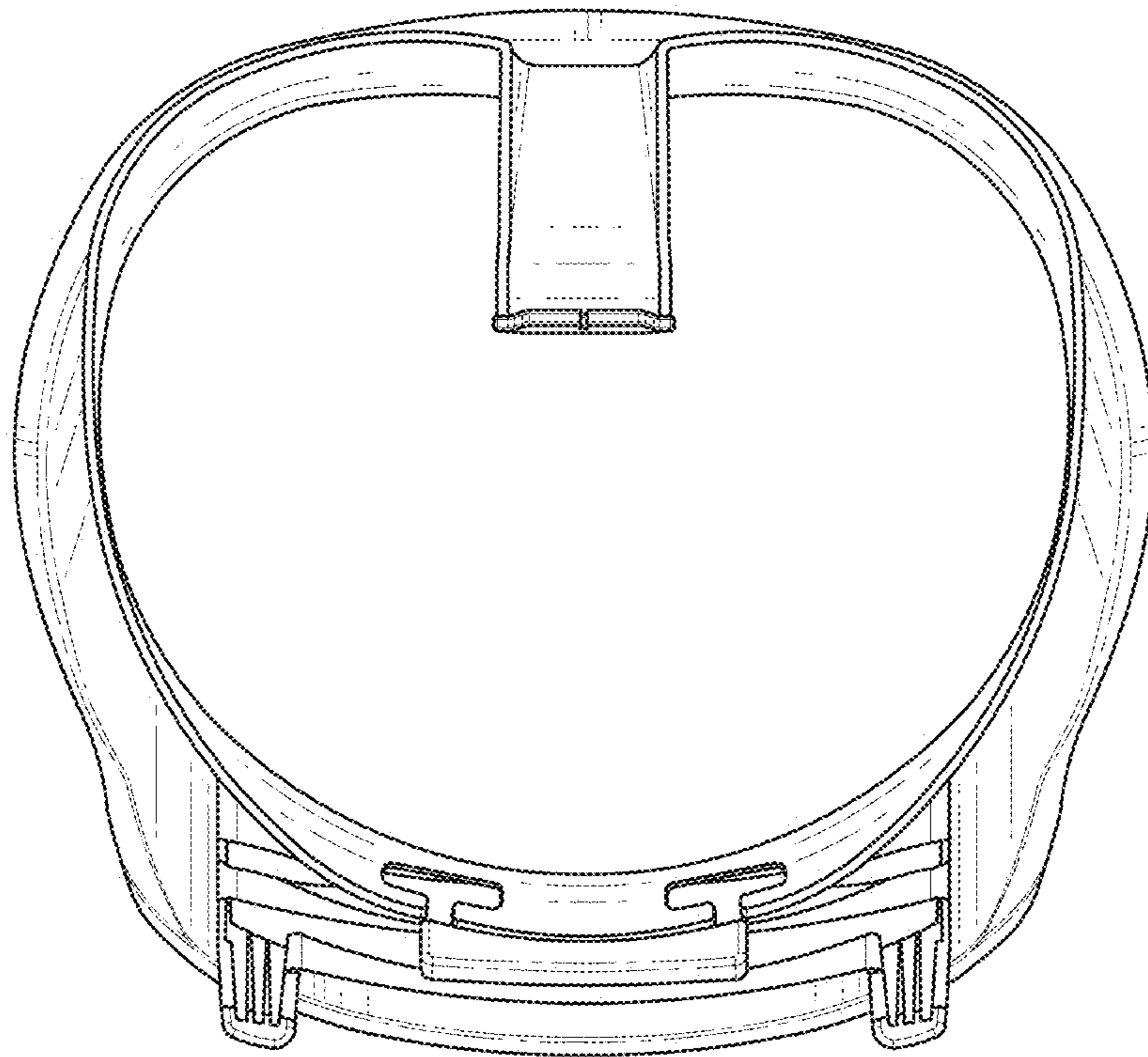


FIG. 7