



US00D924572S

(12) **United States Design Patent** (10) **Patent No.:** **US D924,572 S**  
**Leconte** (45) **Date of Patent:** **\*\* Jul. 13, 2021**

(54) **BOTTLE BRUSH**

(71) Applicant: **Jean-Guy Leconte**, Miami, FL (US)

(72) Inventor: **Jean-Guy Leconte**, Miami, FL (US)

(\*\*) Term: **15 Years**

(21) Appl. No.: **29/694,609**

(22) Filed: **Jun. 12, 2019**

(51) **LOC (13) Cl.** ..... **04-02**

(52) **U.S. Cl.**  
USPC ..... **D4/134**

(58) **Field of Classification Search**  
USPC ..... D4/100, 102, 109, 114, 115, 116, 117,  
D4/118, 119, 120, 121, 122, 123, 124,  
D4/125, 126, 127, 128, 129, 130, 131,  
D4/132, 133, 134, 135, 136, 137, 138,  
D4/199; D32/40, 41, 42, 45, 46, 49, 50,  
D32/51; D9/436

CPC . A46B 5/02; A46B 11/002; A46B 2200/3013;  
A46B 2200/3006; A46B 2200/3073

See application file for complete search history.

(56) **References Cited**

**U.S. PATENT DOCUMENTS**

3,491,774 A	1/1970	Carbone	
D233,209 S *	10/1974	Terraillon	D32/17
4,859,105 A	8/1989	Davis et al.	
D369,976 S *	5/1996	Koptis	D9/436
5,622,192 A	4/1997	Chiou	

6,022,163 A	2/2000	Asfur	
6,050,271 A	4/2000	Spencer	
6,062,230 A	5/2000	Kajgana	
6,170,108 B1	1/2001	Knight	
6,357,449 B1	3/2002	Chu et al.	
6,848,452 B2	2/2005	Kennedy et al.	
D519,674 S	4/2006	Chu et al.	
7,156,104 B2	1/2007	Kennedy et al.	
D814,798 S *	4/2018	Ozimek	D4/104
D815,438 S *	4/2018	Ozimek	D4/104
10,271,627 B1 *	4/2019	Calvo	A45D 24/22
10,315,835 B2 *	6/2019	Jack	B05B 1/02
2020/0085180 A1 *	3/2020	Yakushev	A46B 11/0055

\* cited by examiner

*Primary Examiner* — Karen E Eldridge Powers  
(74) *Attorney, Agent, or Firm* — Cramer Patent & Design, PLLC; Aaron R. Cramer

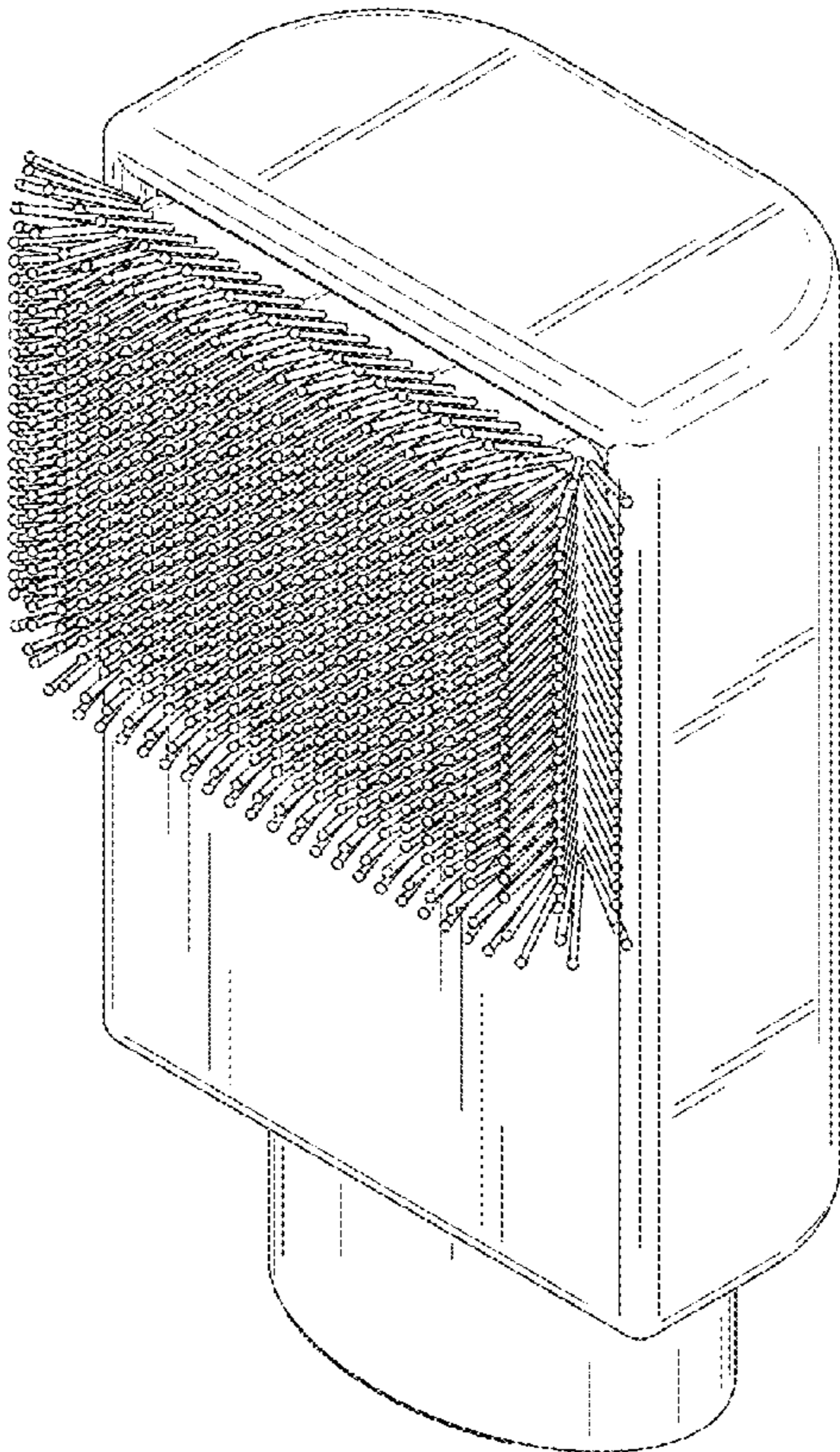
(57) **CLAIM**

The ornamental design for a bottle brush, as shown and described.

**DESCRIPTION**

FIG. 1 is a top front right side perspective view of a bottle brush, showing my new design;  
FIG. 2 is a top rear left side perspective view thereof;  
FIG. 3 is a front elevation view thereof;  
FIG. 4 is a rear elevation view thereof;  
FIG. 5 is a right side elevation view thereof;  
FIG. 6 is a left side elevation view thereof; and,  
FIG. 7 is a top plan view thereof.

**1 Claim, 7 Drawing Sheets**



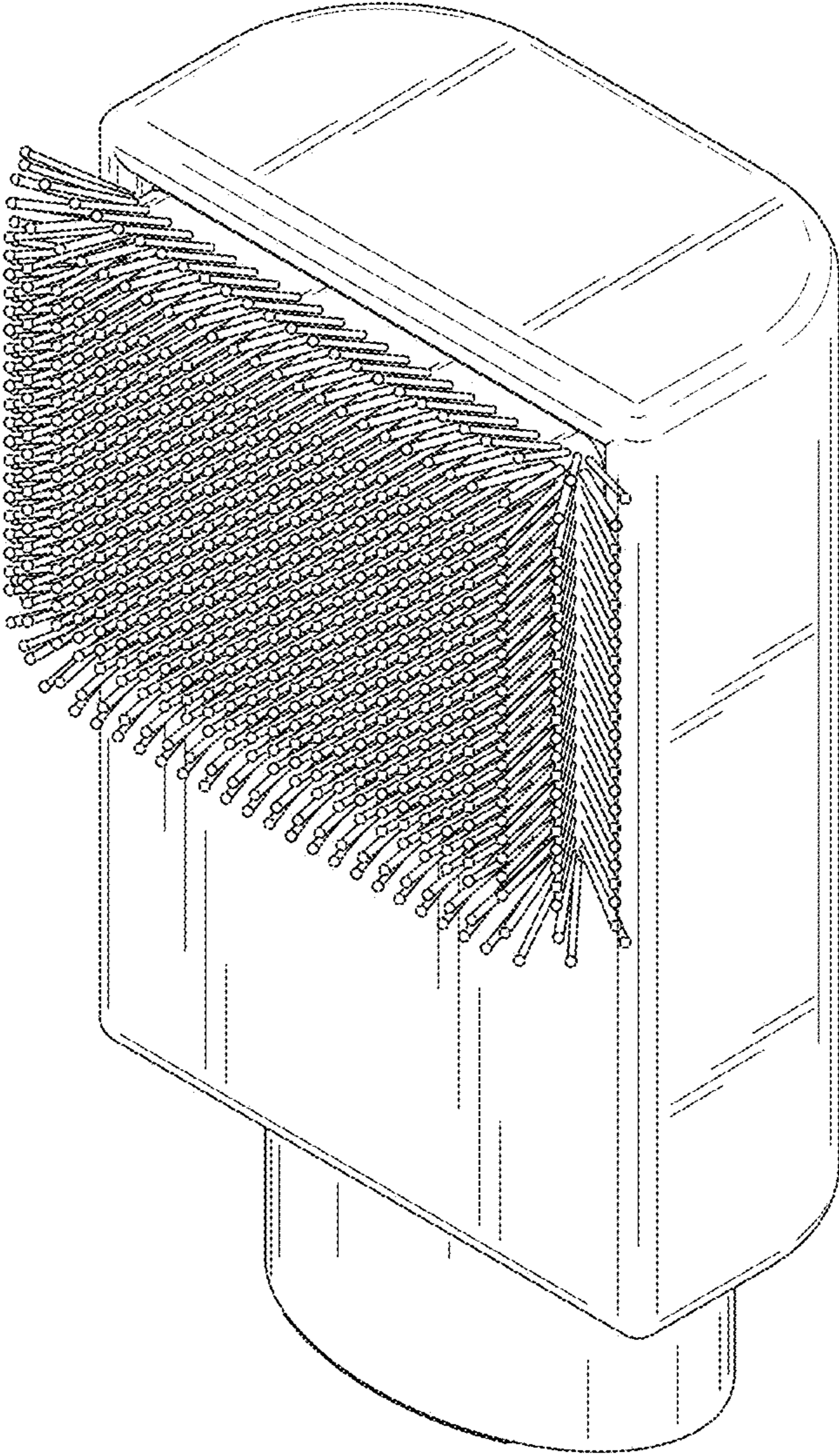


FIG. 1

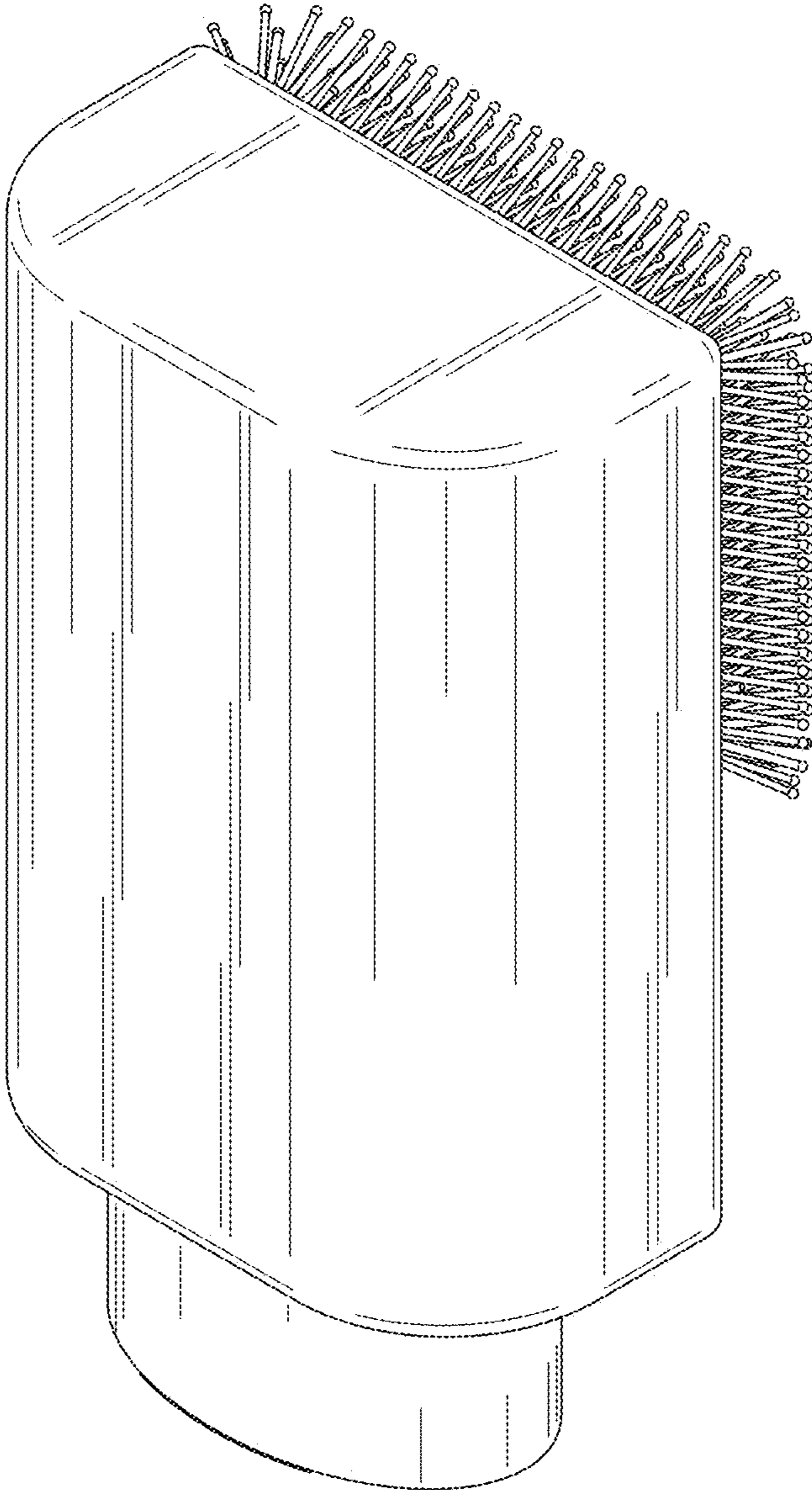


FIG. 2

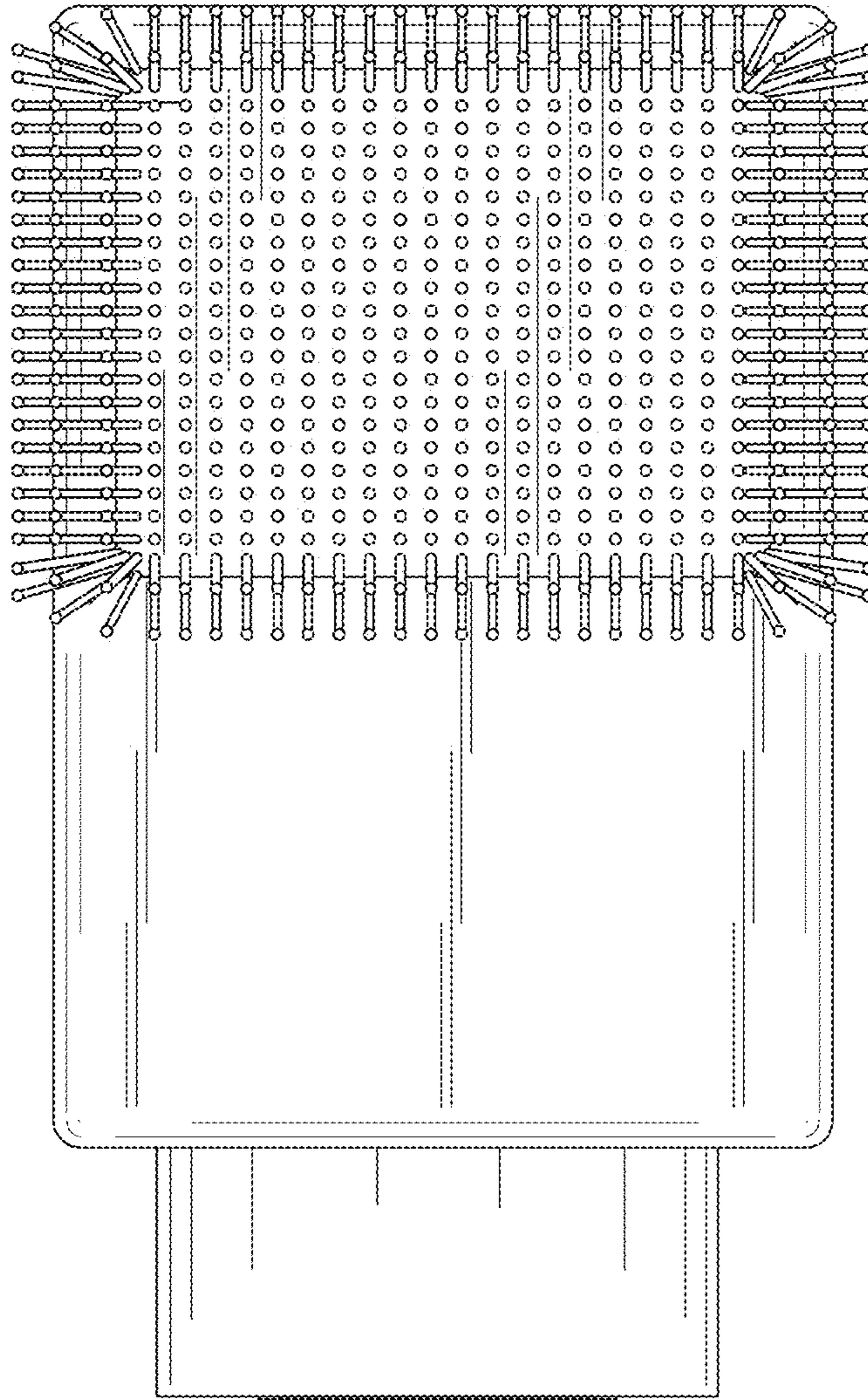


FIG. 3

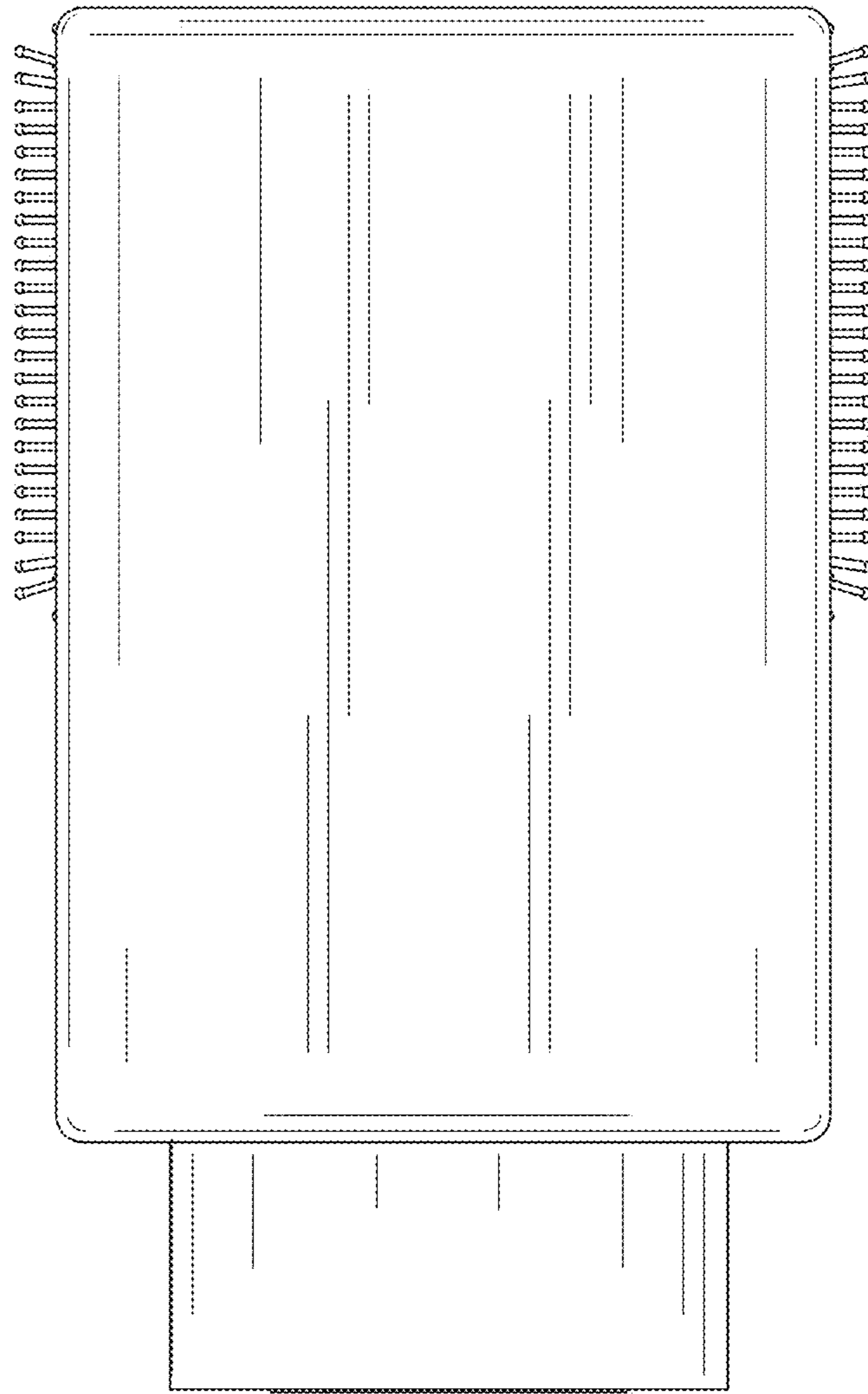


FIG. 4

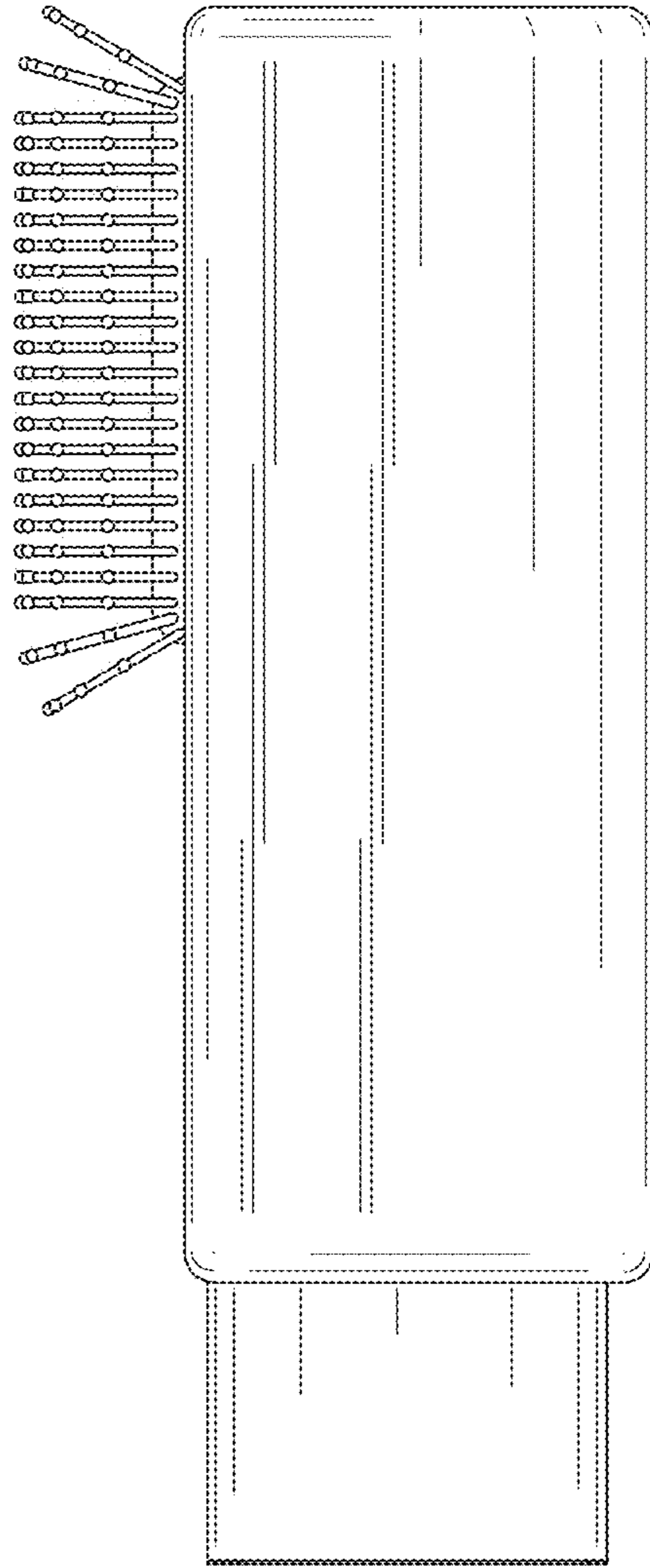


FIG. 5

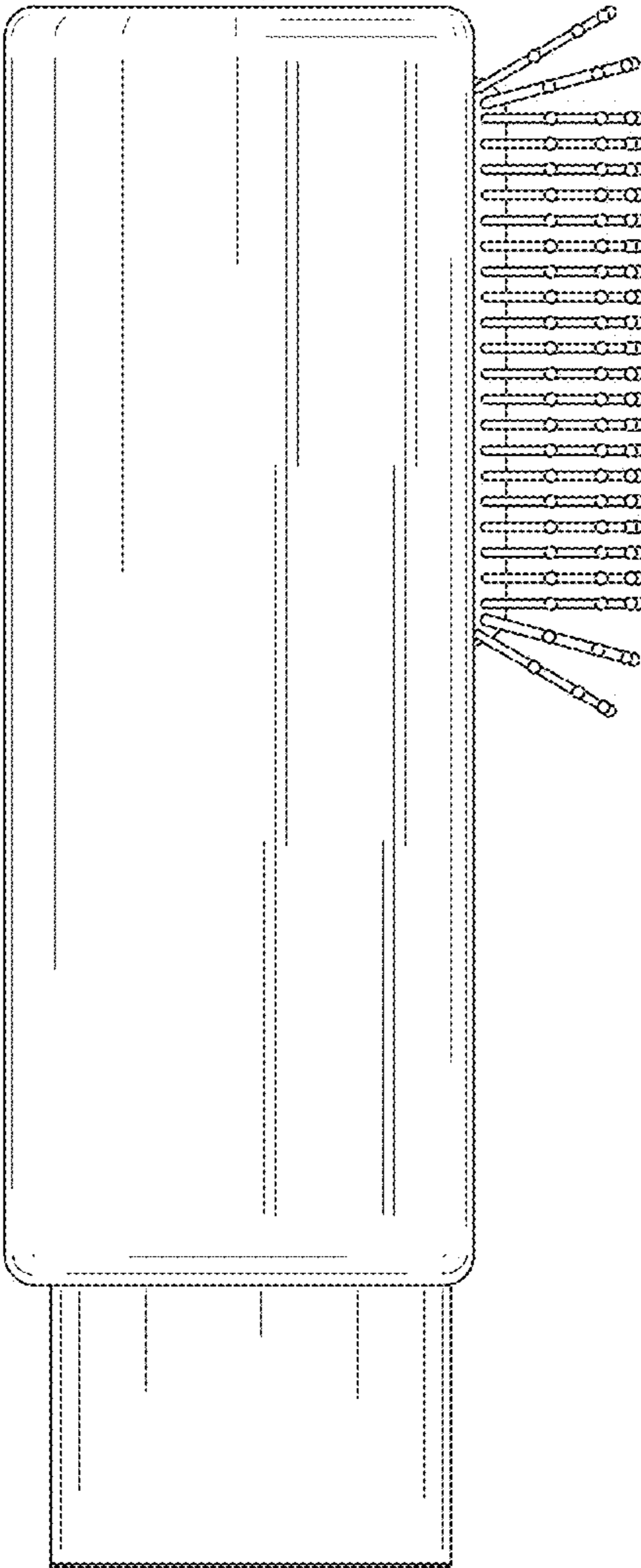


FIG. 6

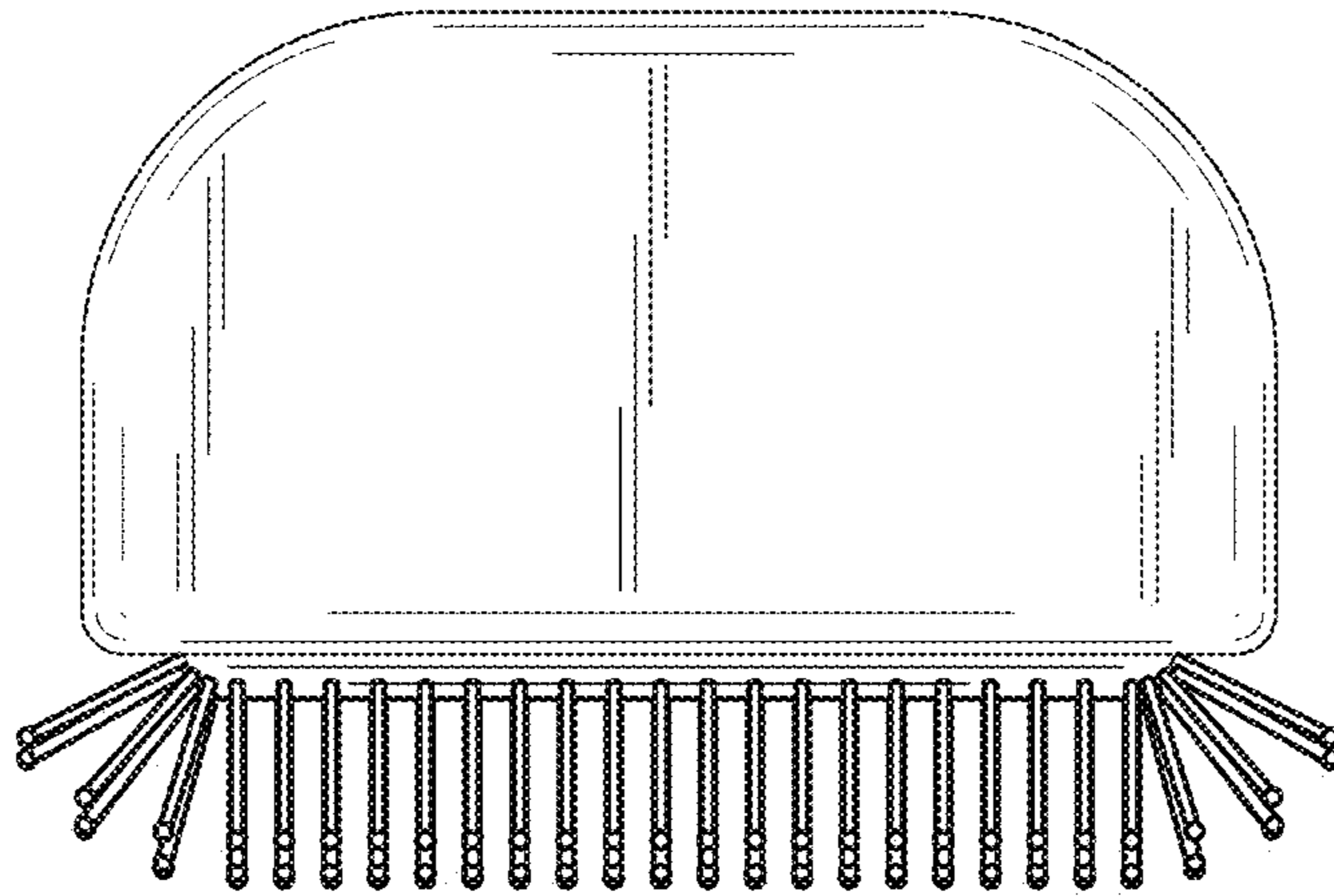


FIG. 7