



US00D924571S

(12) **United States Design Patent**  
**Winter et al.**

(10) **Patent No.:** **US D924,571 S**  
(45) **Date of Patent:** **\*\* Jul. 13, 2021**

- (54) **ADJUSTABLE ROLLER ASSEMBLY FOR STANDARD COVERS**
- (71) Applicant: **William John Winter**, Milford, CT (US)
- (72) Inventors: **William John Winter**, Milford, CT (US); **Marjo Anderson**, New Haven, CT (US)
- (\*\*) Term: **15 Years**
- (21) Appl. No.: **29/742,261**
- (22) Filed: **Jun. 19, 2020**
- (51) **LOC (13) Cl.** ..... **14-01**
- (52) **U.S. Cl.**  
USPC ..... **D4/122**
- (58) **Field of Classification Search**  
USPC ..... D4/122, 199; D6/317, 566; D8/370, D8/373, 107, 303; 15/27, 230.11; 211/106, 106.01; 248/302; 492/13, 16, 492/17, 19; 16/422, 430, 431, 902, 16/DIG. 12, DIG. 18, DIG. 19  
CPC ..... B05C 1/00; B05C 1/02; B05C 17/0205; B44D 2/00  
See application file for complete search history.

- D758,082 S \* 6/2016 Rockwell ..... D4/122
- D773,827 S 12/2016 Typrowicz
- 9,573,161 B2 2/2017 Goodwin, Jr.
- 9,682,399 B2 6/2017 Utterback
- D796,211 S \* 9/2017 Getchell ..... D4/122
- D800,455 S \* 10/2017 Ferris ..... D4/122
- D844,269 S \* 3/2019 Ferrise ..... D32/35
- D845,000 S \* 4/2019 Simpson ..... D4/122
- D846,886 S \* 4/2019 Katsuma ..... D4/122
- D849,413 S \* 5/2019 Lambertson, Jr. .... B25G 1/102  
D4/122
- 10,279,370 B2 5/2019 Arvinte
- 10,293,363 B2 5/2019 Mitchell
- 10,335,825 B2 7/2019 Utterback
- D855,332 S 8/2019 Huang
- 10,471,463 B2 11/2019 Thalacker

(Continued)

*Primary Examiner* — Austin Murphy

(57) **CLAIM**

We claim the ornamental design for a adjustable roller assembly for standard covers, as shown and described.

**DESCRIPTION**

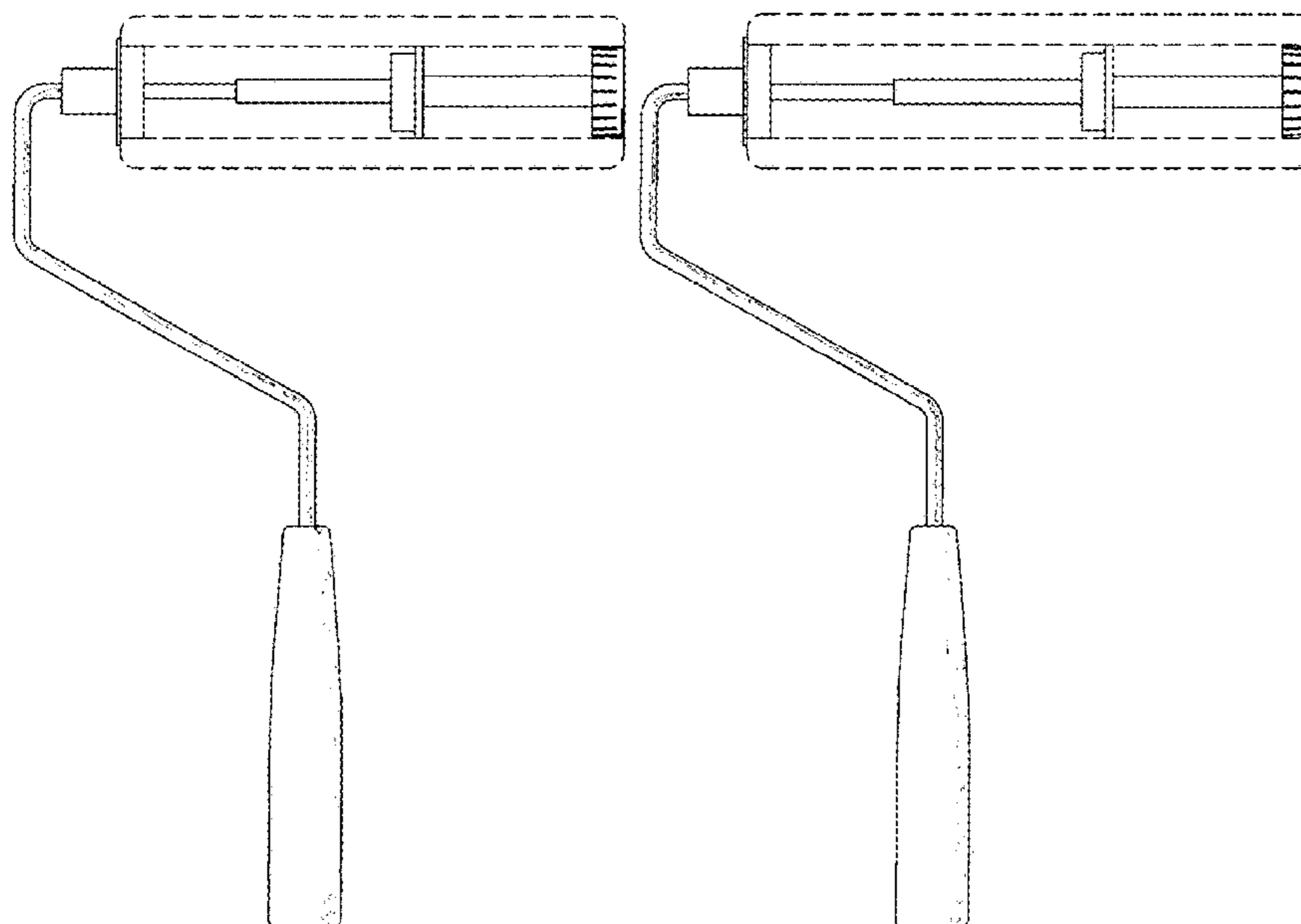
FIG. 1 is the perspective view of the invention for a 3" long cover showing my new design.  
 FIG. 2 is the perspective view of the invention for a 4" long cover showing my new design.  
 FIG. 3 is the perspective view of the invention for a 6" long cover showing my new design.  
 FIG. 4 is the perspective view of the invention for a 8" long cover showing my new design.  
 FIG. 5 is the perspective view of the invention for a 9" long cover showing my new design.  
 FIG. 6 is the isometric view of the left side of my invention; and,  
 FIG. 7 is the isometric view of the right side of my invention. The broken lines shown are for illustrative purposes only and form no part of the claimed design.

**1 Claim, 7 Drawing Sheets**

(56) **References Cited**

**U.S. PATENT DOCUMENTS**

- D405,958 S 2/1999 Mollack
- D483,571 S 12/2003 Khubani
- D521,245 S 5/2006 Inch
- D656,737 S 4/2012 Crawley
- D690,943 S \* 10/2013 Pelo ..... D4/122
- D699,445 S \* 2/2014 Pelo ..... D4/122
- D728,945 S 5/2015 Neal
- D741,604 S \* 10/2015 Typrowicz ..... D4/122
- D750,381 S 3/2016 Parker
- D753,923 S \* 4/2016 Pemberton ..... D4/122



(56)

**References Cited**

U.S. PATENT DOCUMENTS

D871,078 S \* 12/2019 Winter ..... D4/122  
D889,852 S \* 7/2020 Libman ..... D4/122

\* cited by examiner

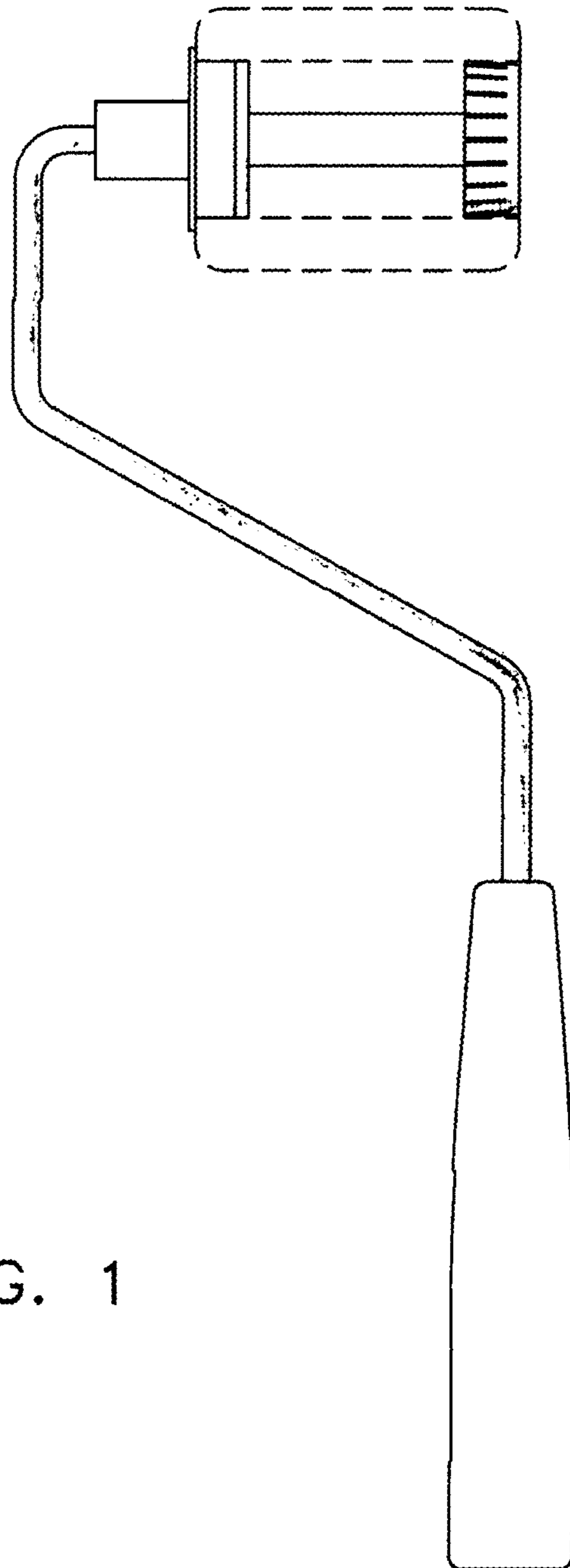


FIG. 1

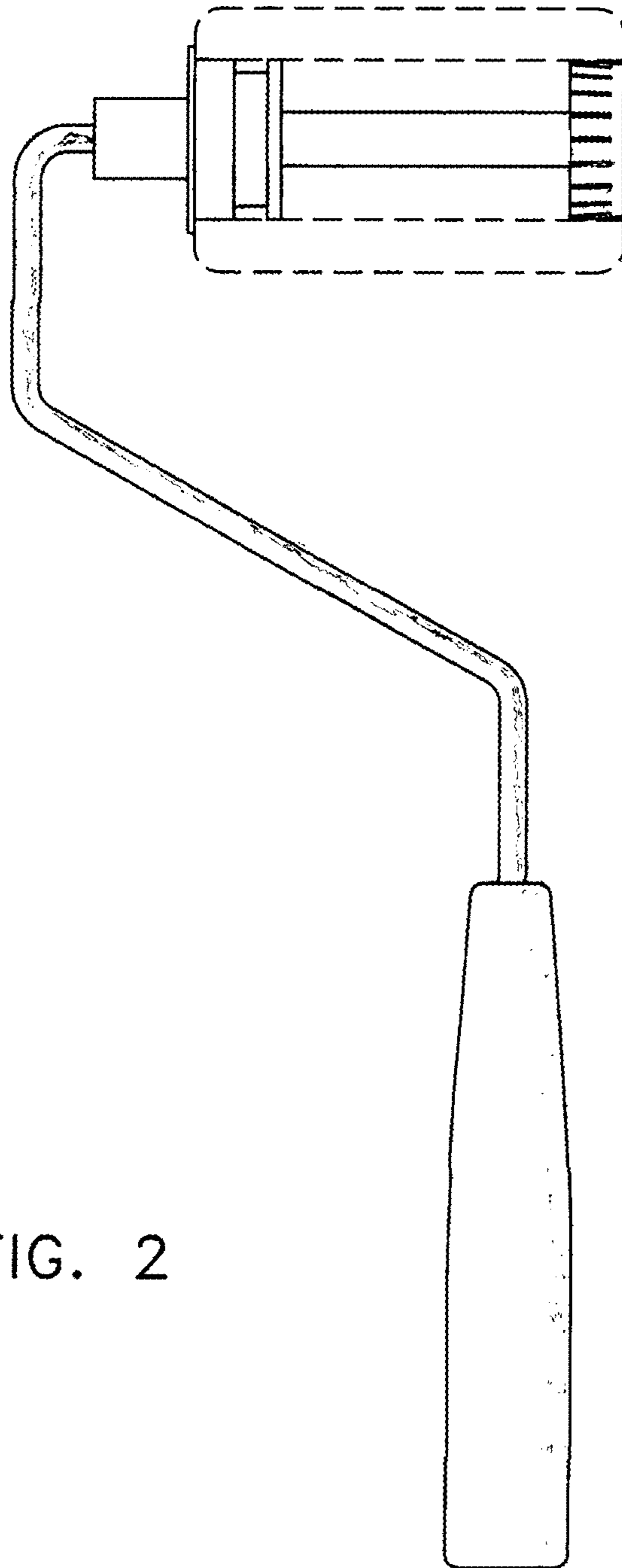


FIG. 2

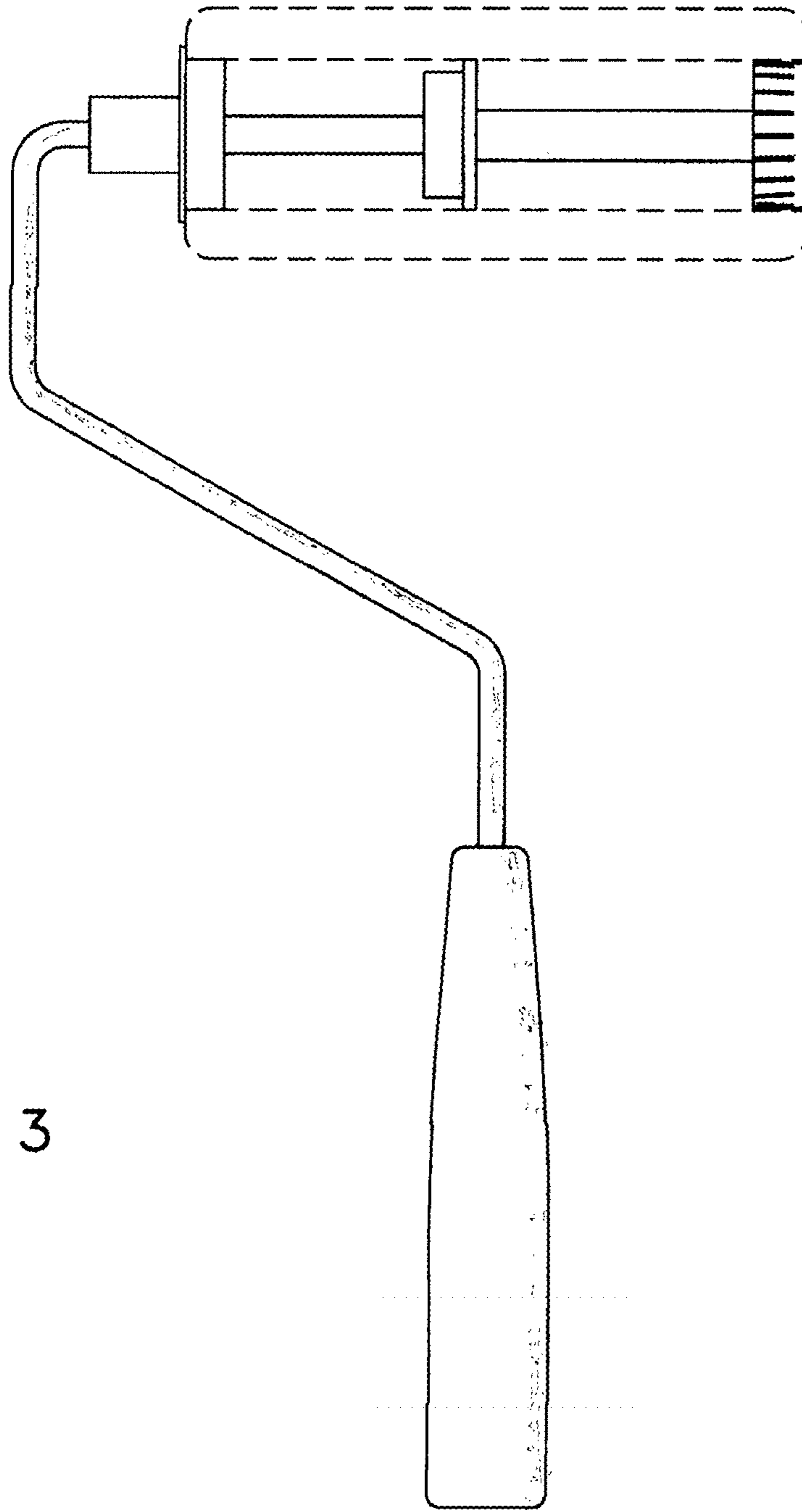


FIG. 3

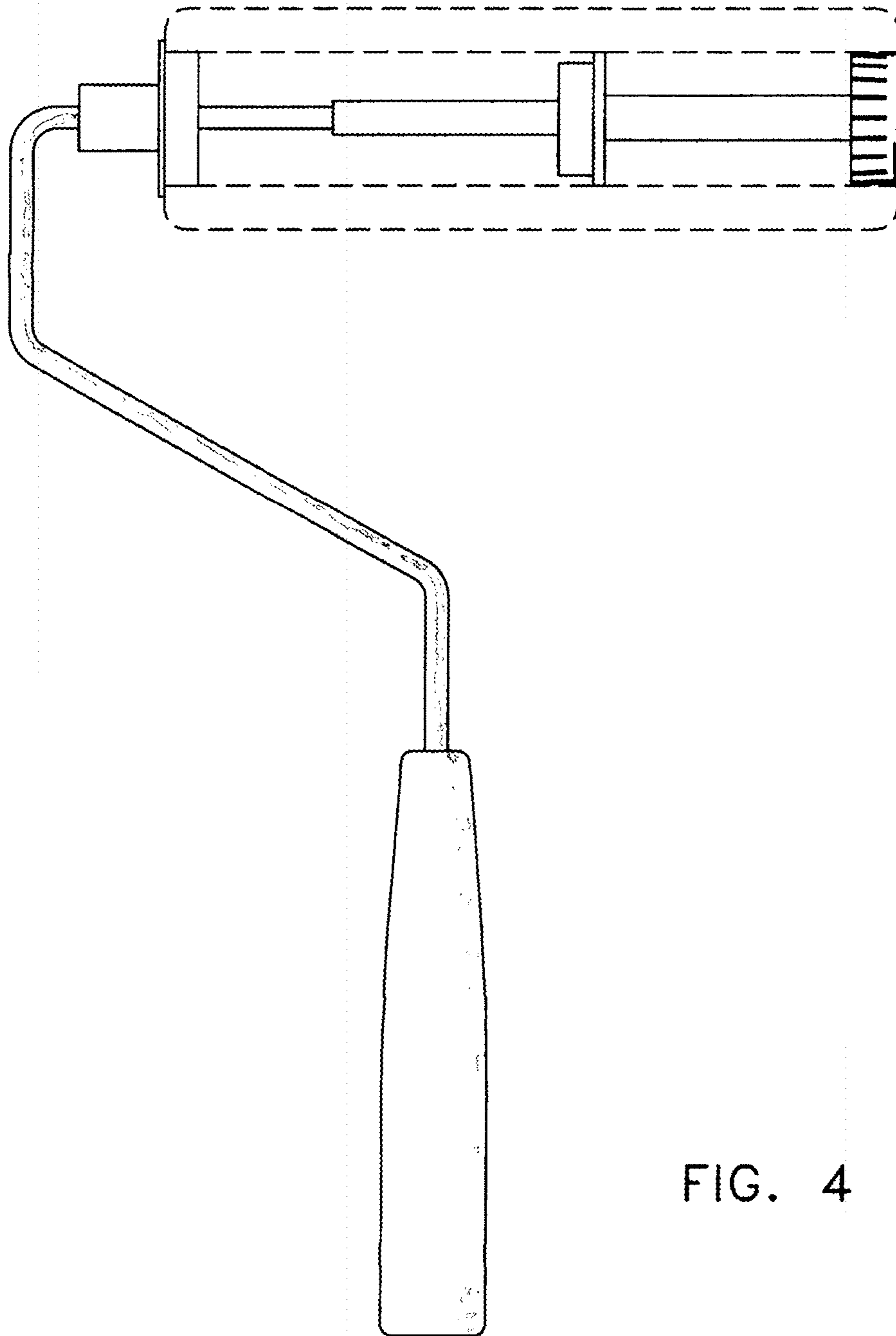


FIG. 4

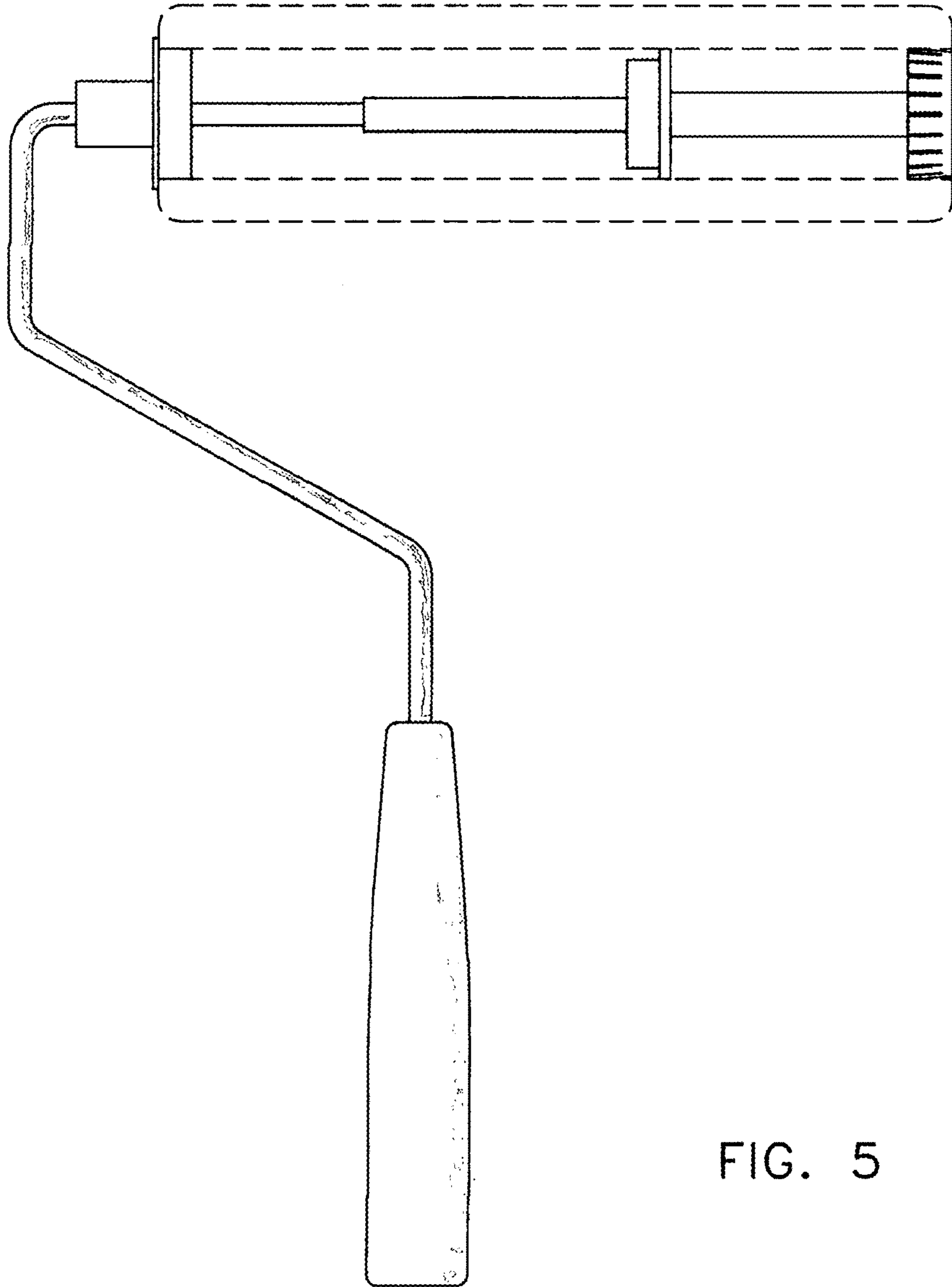


FIG. 5

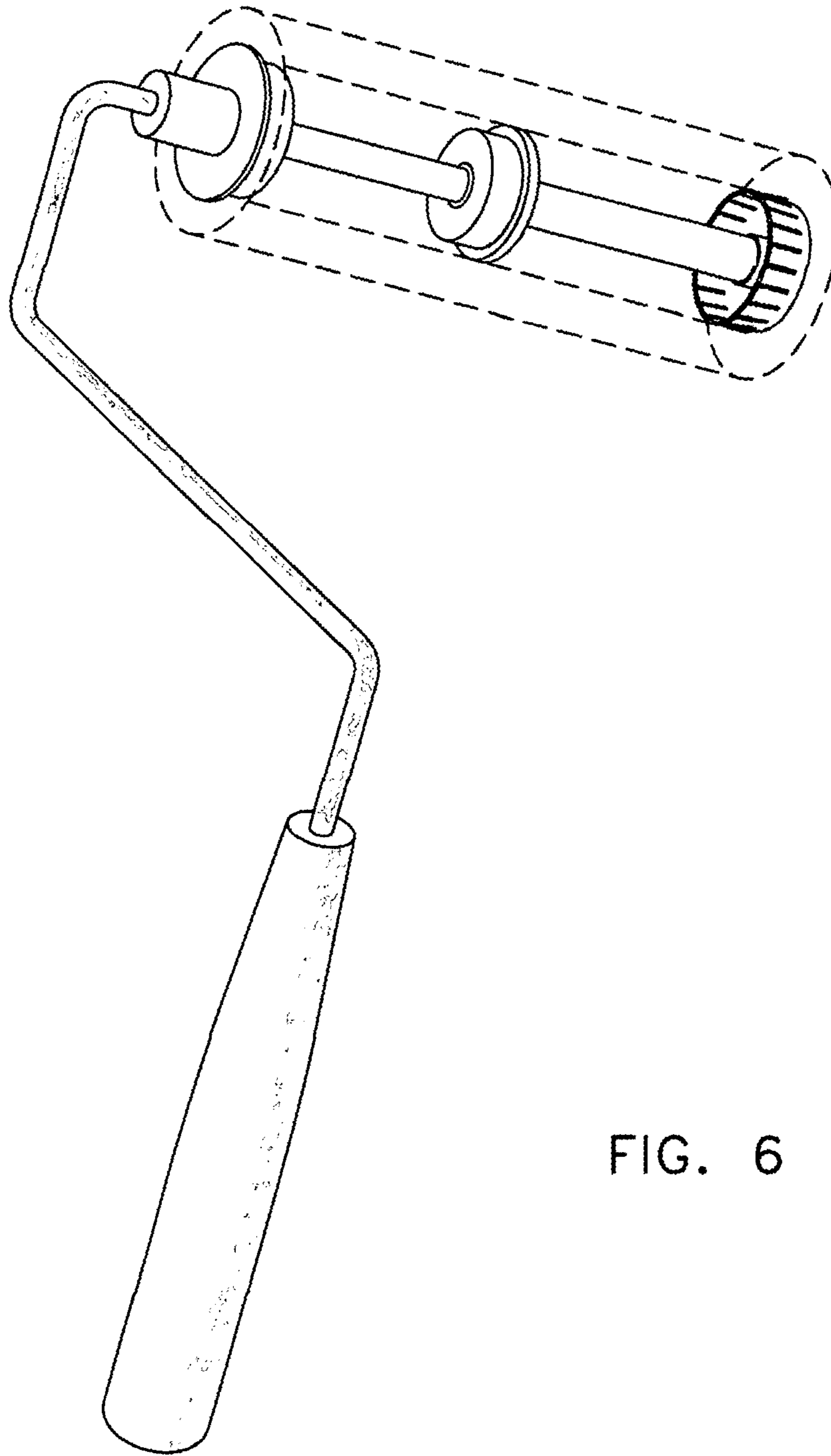


FIG. 6



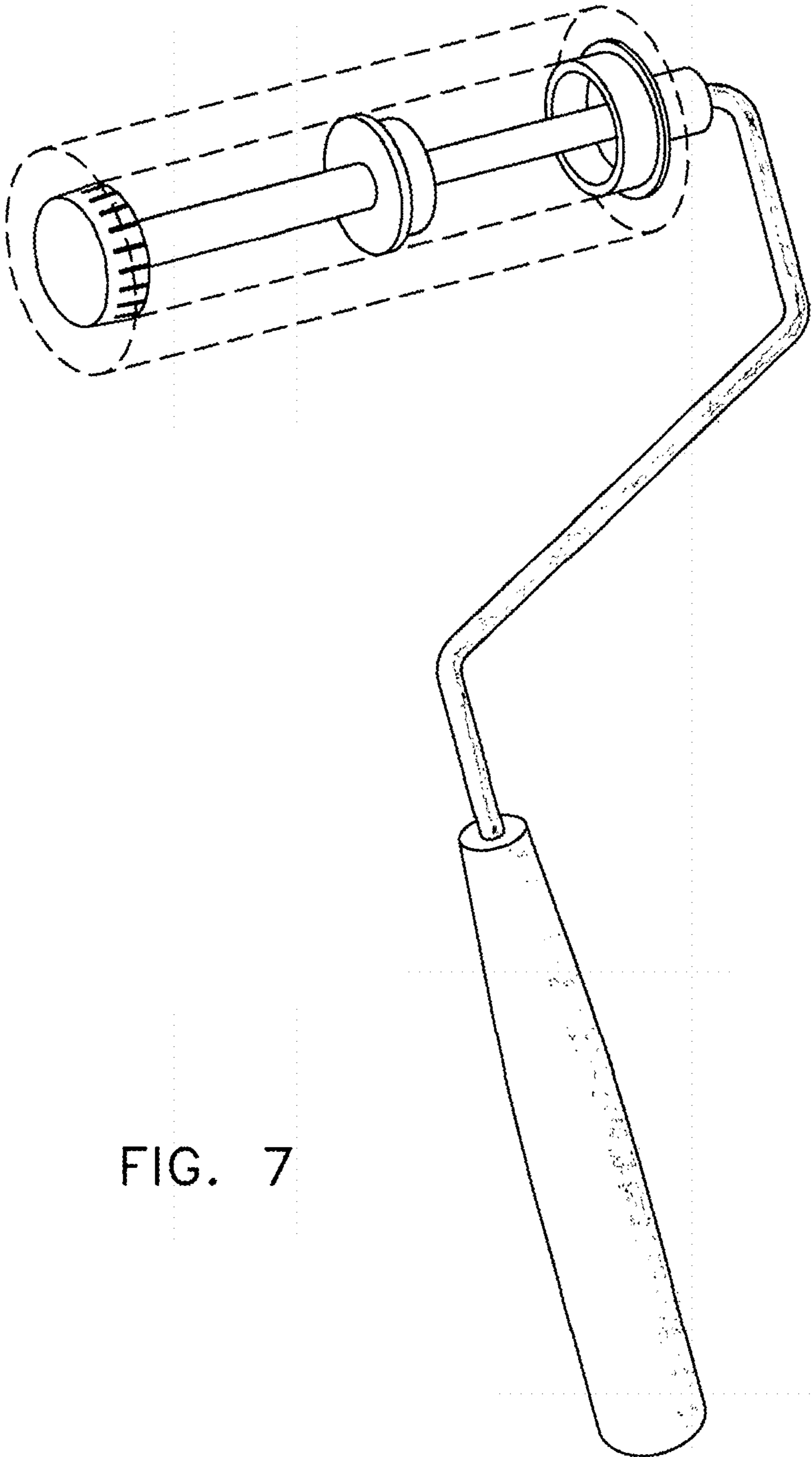


FIG. 7