



US00D924569S

(12) **United States Design Patent**
Treadwell

(10) **Patent No.:** **US D924,569 S**

(45) **Date of Patent:** **** Jul. 13, 2021**

- (54) **BULLET NOVELTY CADDY**
- (71) Applicant: **Juanita Treadwell**, Mesita, CO (US)
- (72) Inventor: **Juanita Treadwell**, Mesita, CO (US)
- (**) Term: **15 Years**
- (21) Appl. No.: **29/670,605**
- (22) Filed: **Nov. 17, 2018**

D821,187 S * 6/2018 Baiz D8/387
 D836,457 S * 12/2018 Johnson D9/680
 D887,853 S * 6/2020 Altieri D9/680
 2017/0036814 A1 * 2/2017 Treadwell B65D 81/365

* cited by examiner

Primary Examiner — Charles D Hanson

(57) **CLAIM**

I claim the ornamental design for a bullet novelty caddy, as shown and described.

DESCRIPTION

FIG. 1 is an exploded perspective view of a bullet novelty caddy showing the new design;
 FIG. 2 is another exploded perspective view thereof;
 FIG. 3 is a front view thereof;
 FIG. 4 is a rear view thereof;
 FIG. 5 is a detached bullet case end cap view thereof;
 FIG. 6 is a bullet case closed end view thereof;
 FIG. 7 is a side view thereof, the opposite side view being a mirror image;
 FIG. 8 is a cutaway side view thereof, the opposite cutaway side view being a mirror image;
 FIG. 9 is a front view showing the design of FIG. 1 in an environment of use; and,
 FIG. 10 is a front view showing the design of FIG. 1 in an alternate environment of use.

The broken lines in FIGS. 9-10 illustrate environmental structure and form no part of the claimed design.

1 Claim, 5 Drawing Sheets

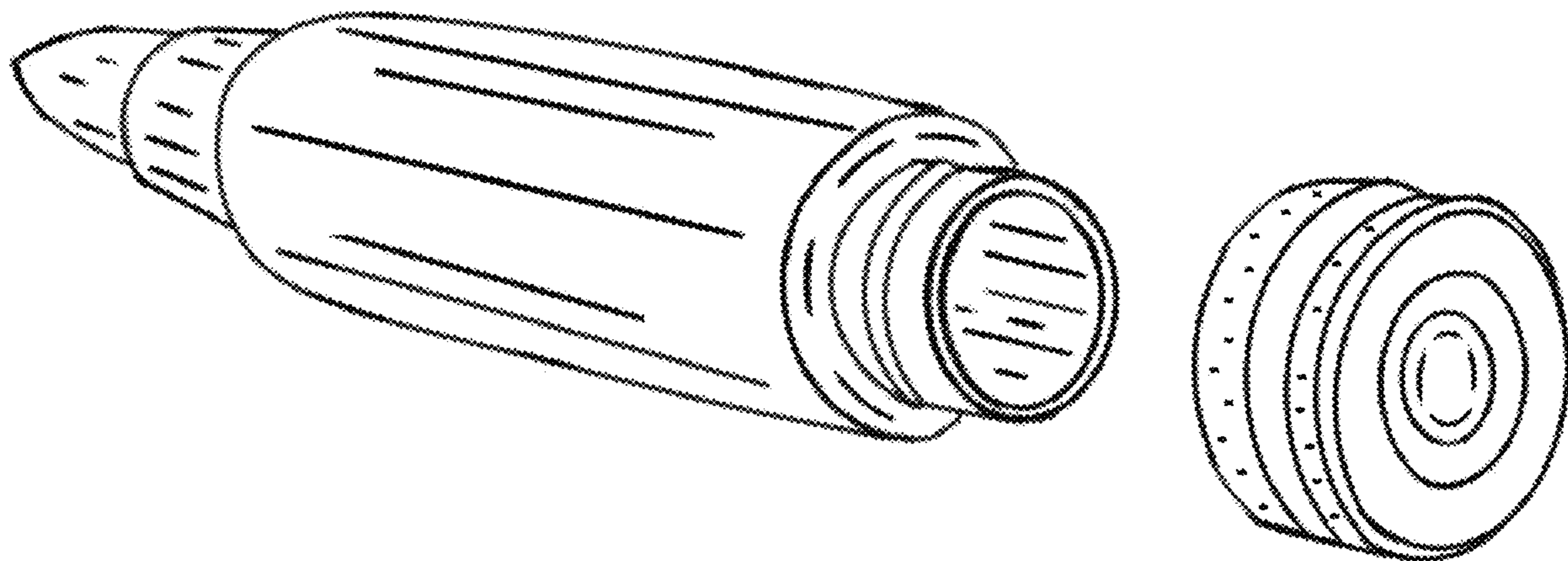
Related U.S. Application Data

- (63) Continuation of application No. 15/212,205, filed on Jul. 16, 2016, now abandoned.
- (51) **LOC (13) Cl.** **03-02**
- (52) **U.S. Cl.**
USPC **D3/315**
- (58) **Field of Classification Search**
USPC D3/315
CPC F42B 30/02
See application file for complete search history.

References Cited

U.S. PATENT DOCUMENTS

D500,952 S * 1/2005 Moore D9/504
 D646,179 S * 10/2011 Jansen D9/680
 D664,042 S * 7/2012 Kurpis D9/680
 D814,907 S * 4/2018 Baiz D8/356



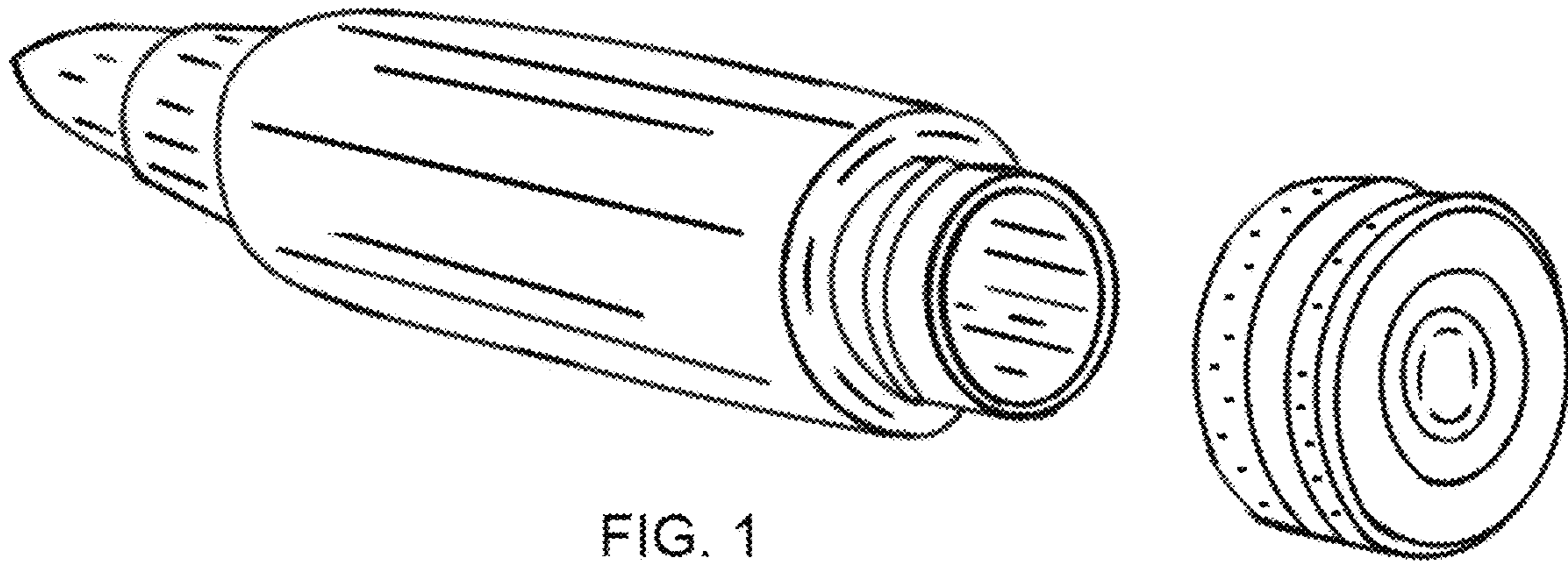


FIG. 1

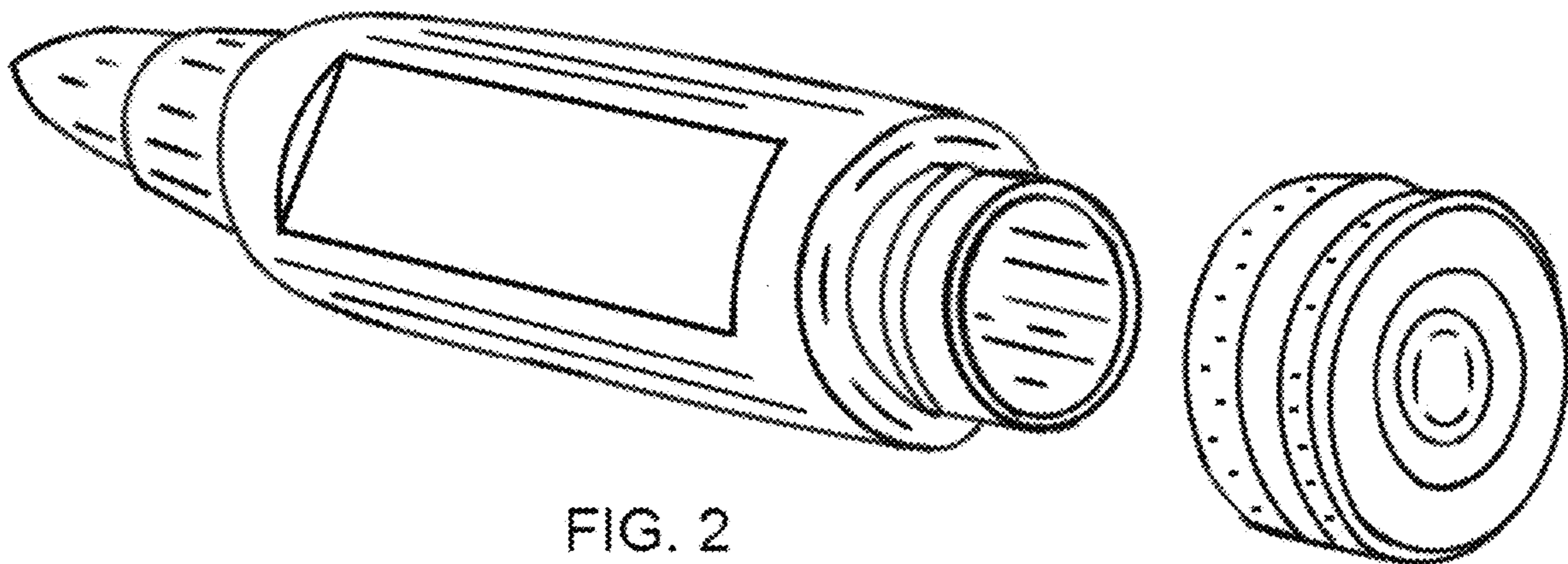


FIG. 2

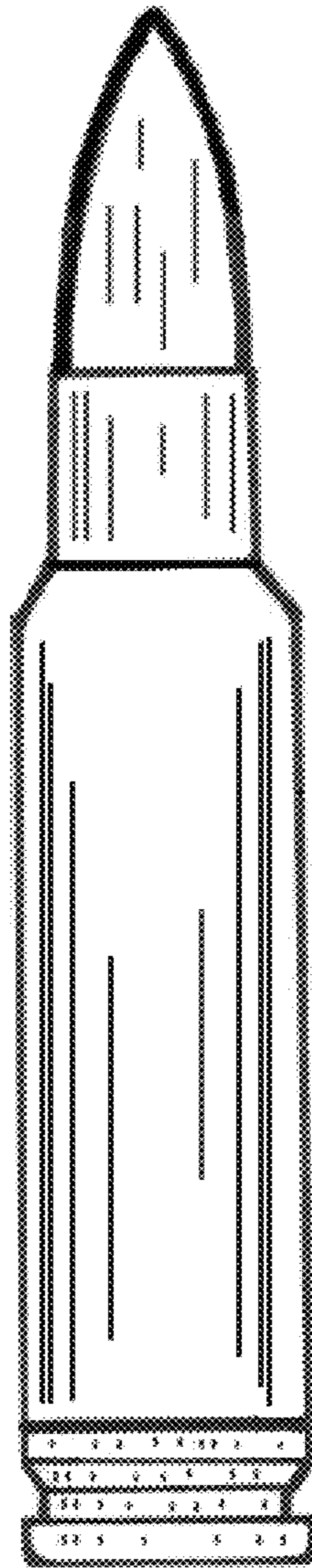


FIG. 3

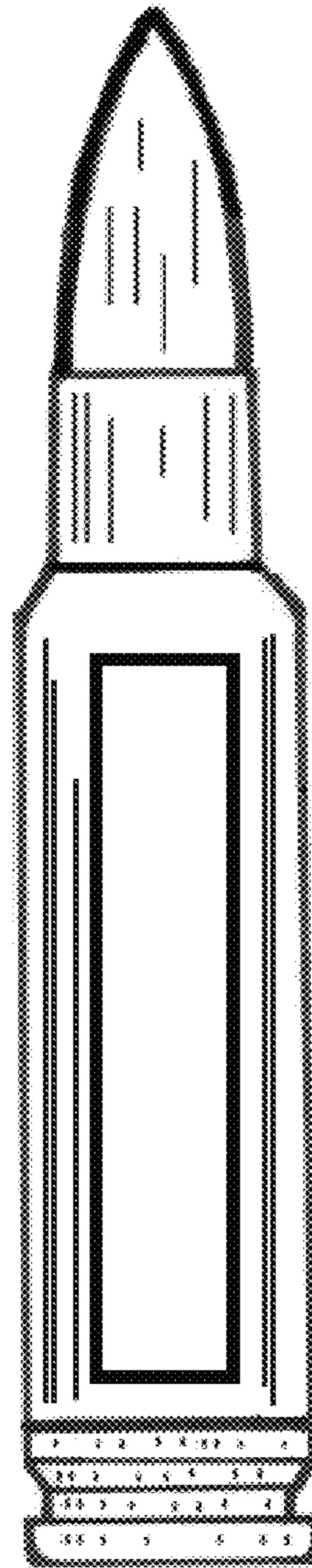


FIG. 4

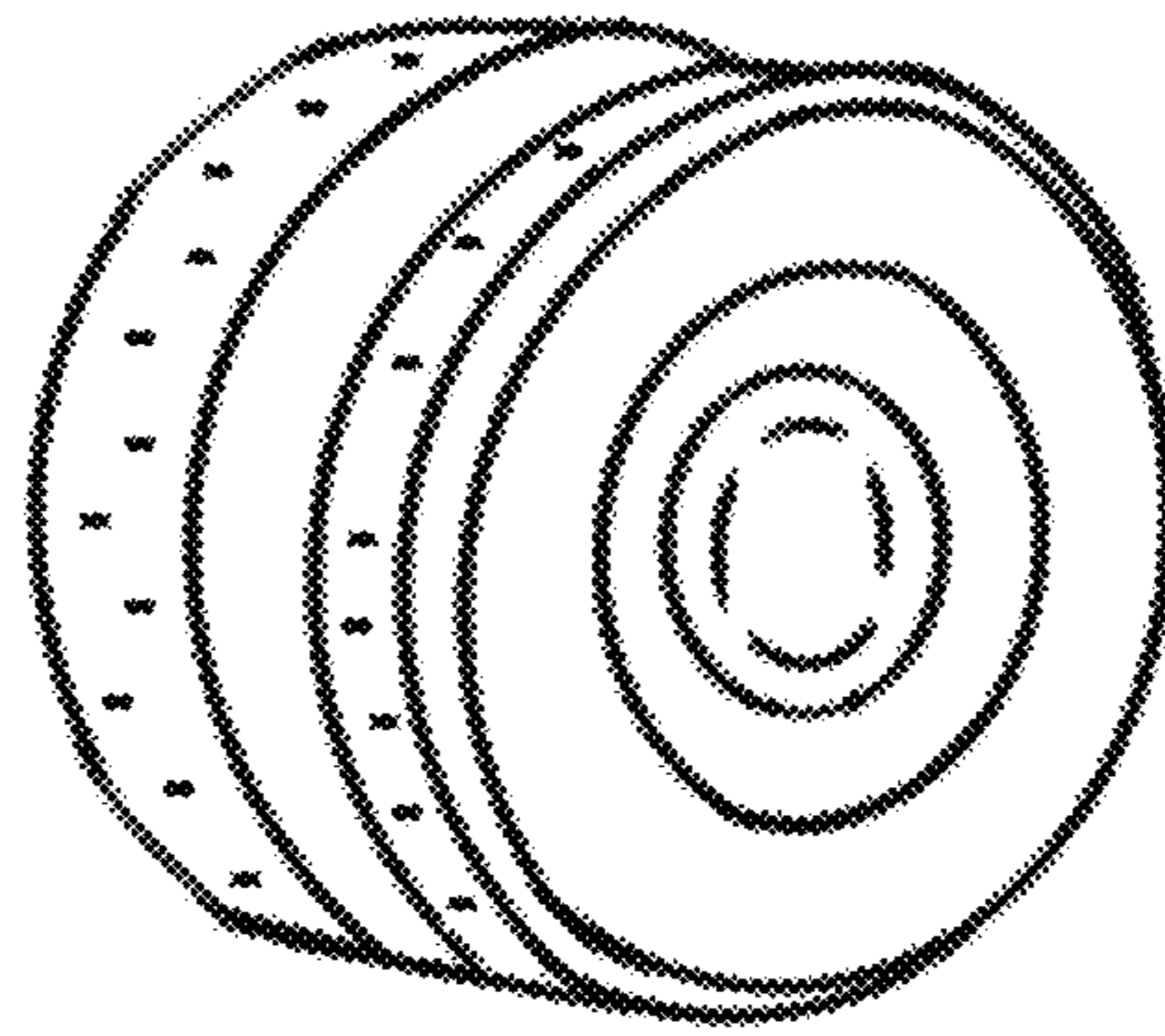


FIG. 5

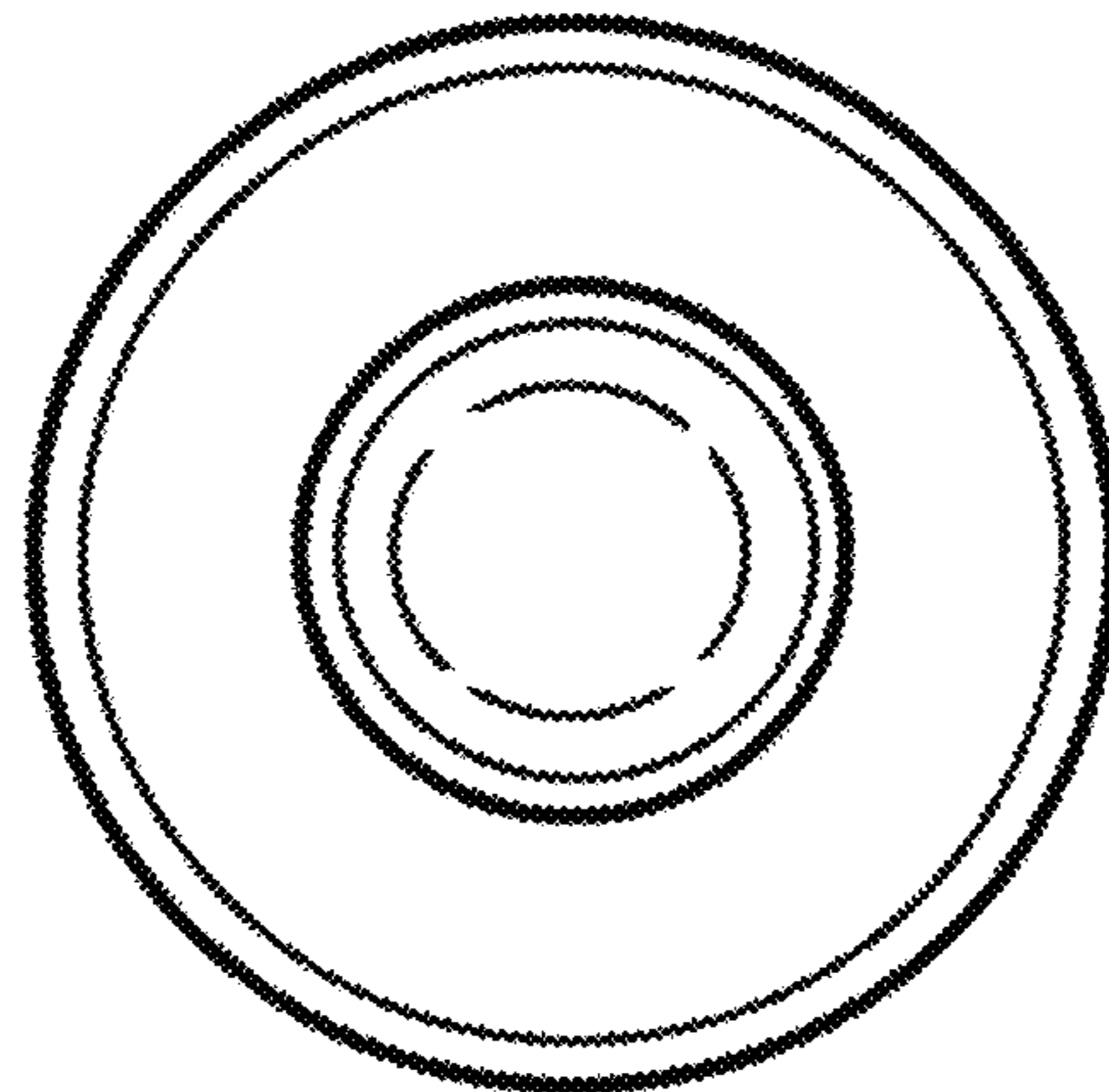


FIG. 6

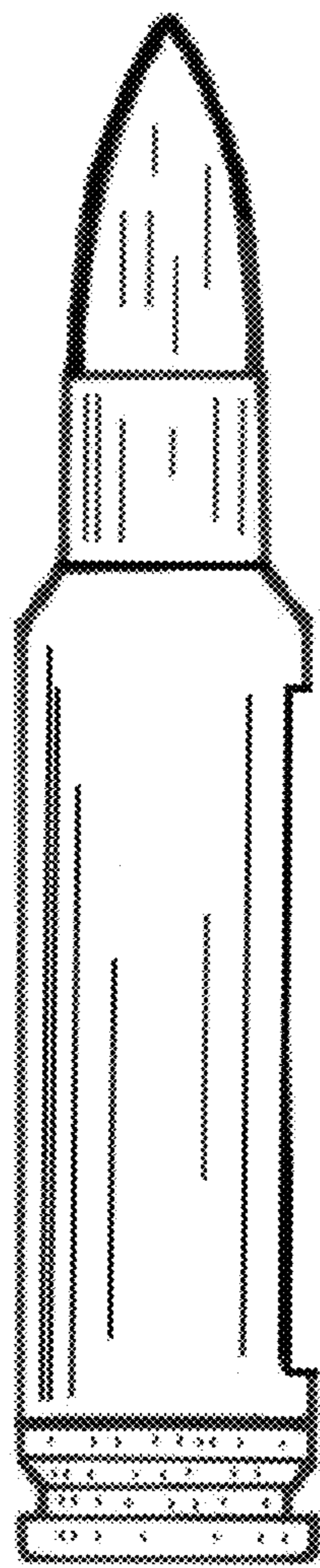


FIG. 7

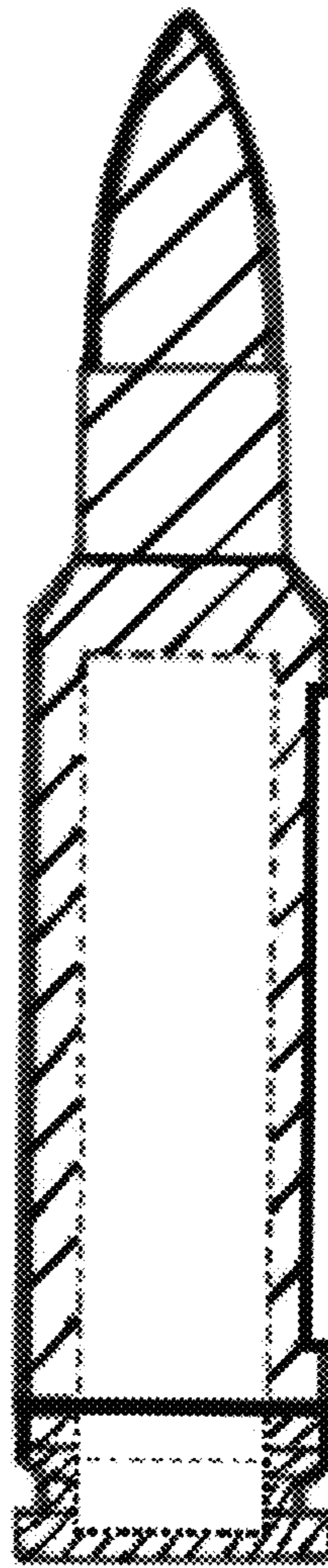


FIG. 8

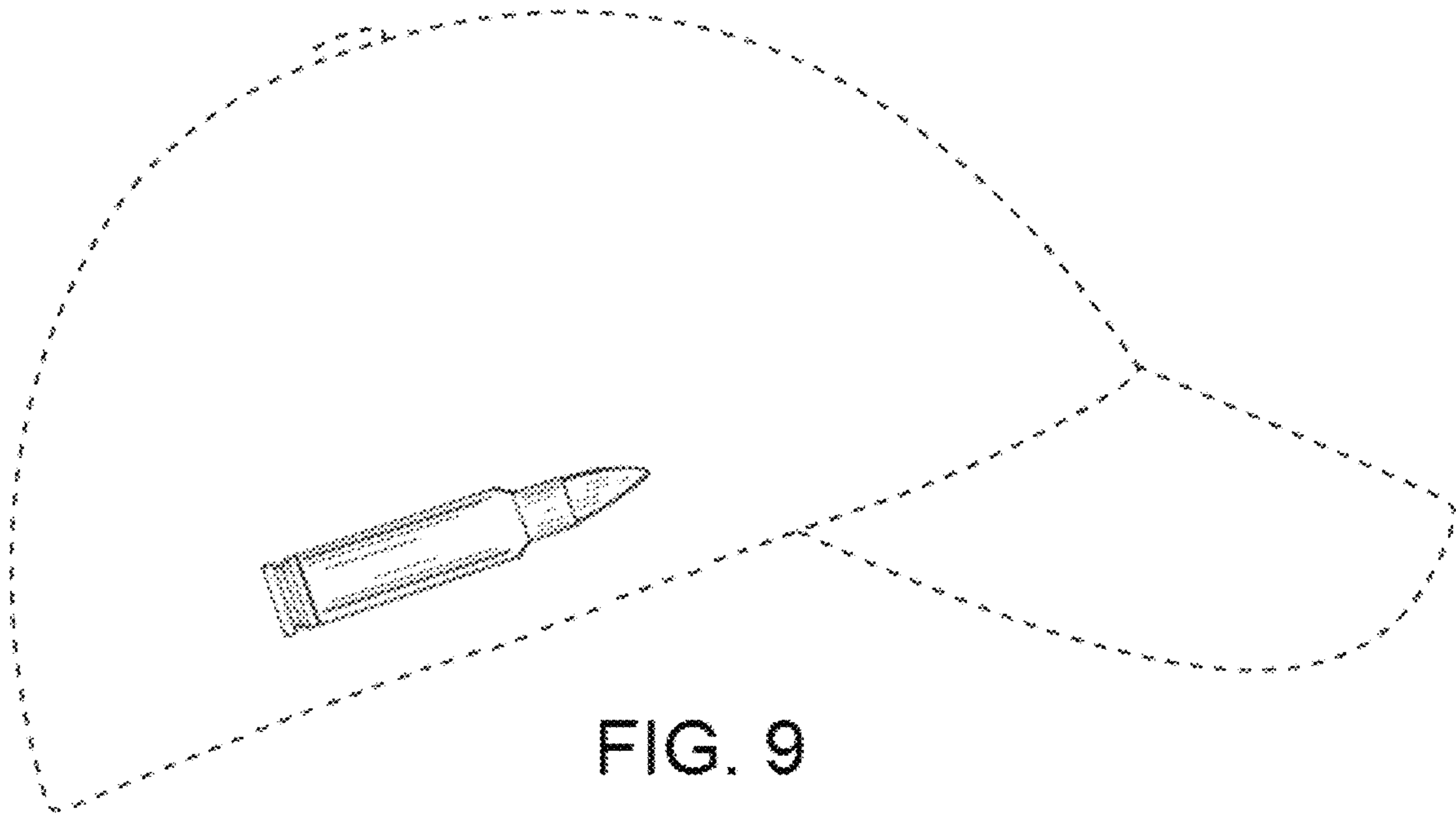


FIG. 9

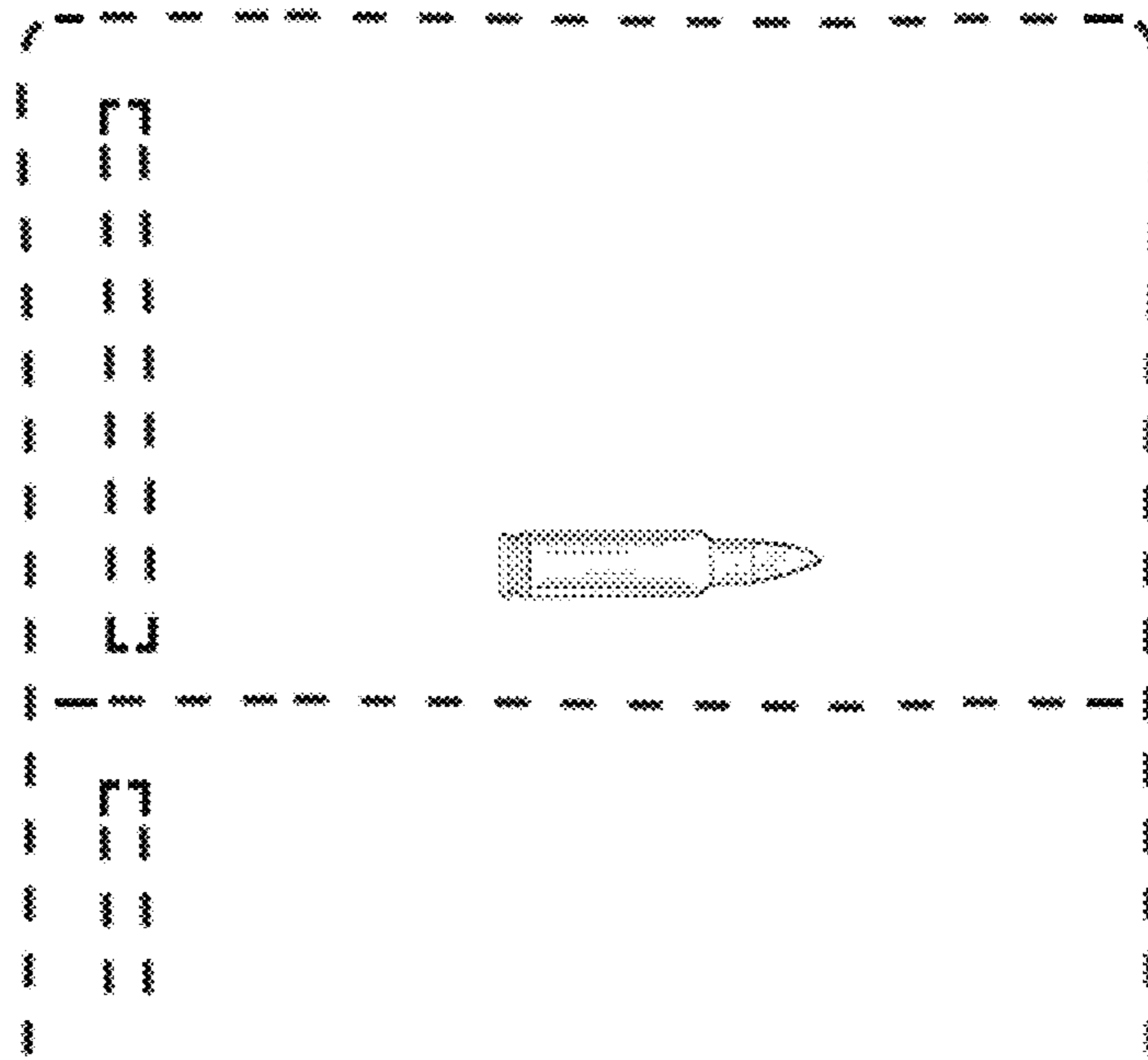


FIG. 10