



US00D924565S

(12) **United States Design Patent** (10) **Patent No.:** **US D924,565 S**
Gould (45) **Date of Patent:** **** Jul. 13, 2021**

(54) **EARBUD STORAGE CASE**
(71) Applicant: **Jade Nile LLC**, Arlington, VA (US)
(72) Inventor: **M. Gould**, Arlington, VA (US)
(73) Assignee: **JADE NILE LLC**, Arlington, VA (US)
(**) Term: **15 Years**
(21) Appl. No.: **29/689,295**
(22) Filed: **Apr. 29, 2019**
(51) **LOC (13) Cl.** **03-01**
(52) **U.S. Cl.**
USPC **D3/294**
(58) **Field of Classification Search**
USPC D3/201, 203.1, 204, 205, 207–208, 212,
D3/215, 218, 269, 273–274, 276, 283,
D3/284, 294–300, 302, 303, 315, 901,
D3/903; D9/414, 418, 420, 430, 432;
D28/66, 73, 76, 78, 91; D14/188, 201,
D14/204, 205, 209.1, 217, 250, 251, 440,
D14/447
CPC ... A45C 13/002; A45C 13/005; A45C 13/025;
A45C 2011/001; A45C 2011/002; A45C
2011/003
See application file for complete search history.

D879,473 S * 3/2020 Lee D3/318
D883,296 S * 5/2020 Lee D14/440
2018/0064224 A1* 3/2018 Brzezinski H04R 1/1025

* cited by examiner

Primary Examiner — Lilyana Bekic
Assistant Examiner — Mary Shannon Malley

(74) *Attorney, Agent, or Firm* — Honigman LLP; Andrew N. Weber; Jonathan P. O'Brien

(57) **CLAIM**

I claim the ornamental design for an earbud storage case, as shown and described.

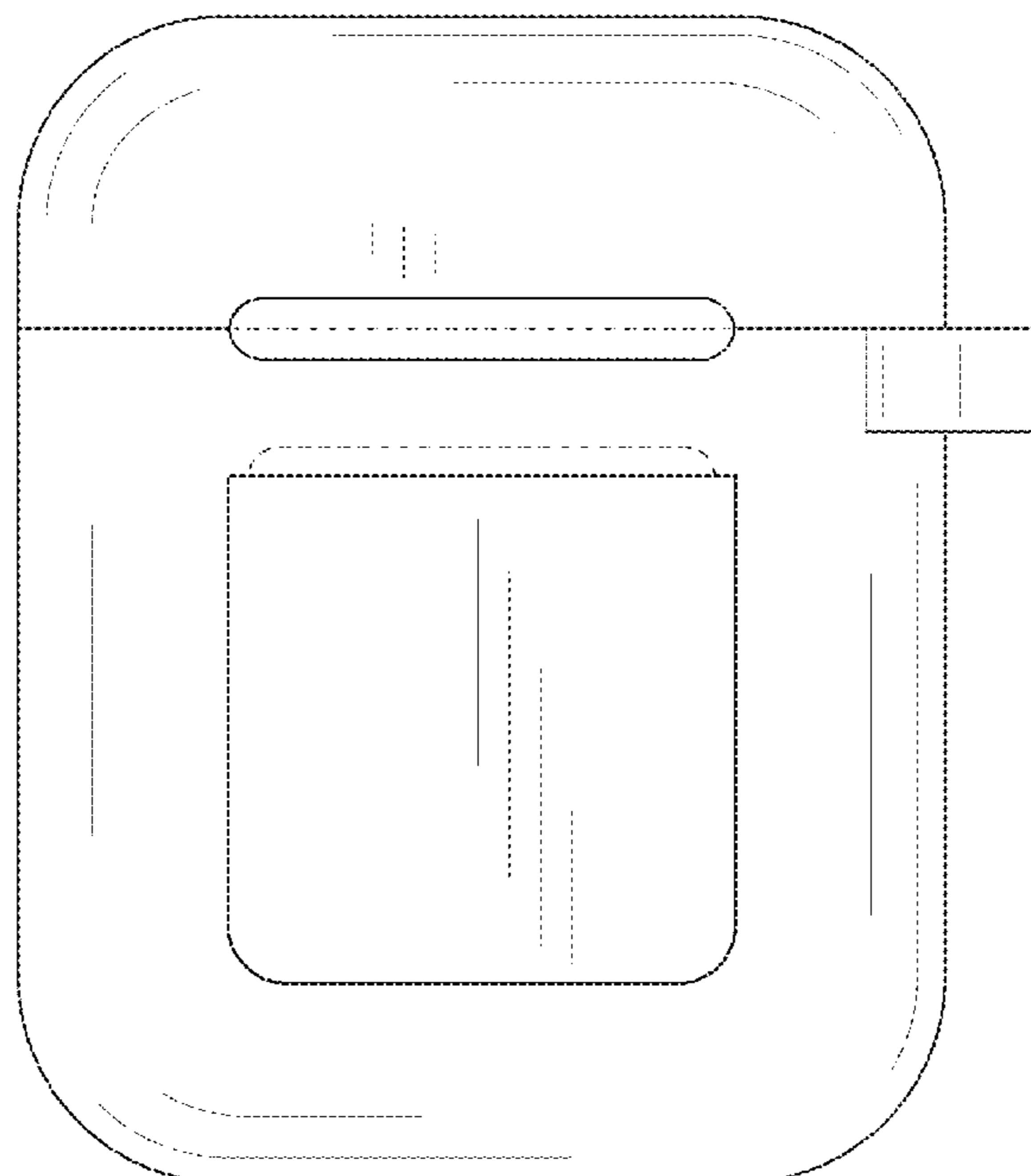
DESCRIPTION

FIG. 1 is a front view of an earbud storage case arranged in a closed orientation, showing my new design;
FIG. 2 is a rear view thereof;
FIG. 3 is a right side view thereof;
FIG. 4 is a left side view thereof;
FIG. 5 is a top plan view thereof; and
FIG. 6 is a bottom plan view thereof.
FIG. 7 is a front-top perspective view of an earbud storage case arranged in an open orientation, showing my new design;
FIG. 8 is a front view thereof;
FIG. 9 is a rear view thereof;
FIG. 10 is a right side view thereof;
FIG. 11 is a left side view thereof
FIG. 12 is a bottom plan view thereof; and,
FIG. 13 is a top plan view thereof.
The broken lines illustrating earbuds depict environmental subject matter that forms no part of the claimed design. All other broken lines depict portions of the earbud storage case that form no part of the claimed design.

(56) **References Cited**
U.S. PATENT DOCUMENTS

D806,388 S * 1/2018 Akana D3/294
D818,268 S * 5/2018 Akana D3/294
D826,152 S * 8/2018 Christiansen D13/108
D849,401 S * 5/2019 Akana D3/274
D872,468 S * 1/2020 Lee D3/269
D872,724 S * 1/2020 Lee D14/250
D878,045 S * 3/2020 Akana D3/274

1 Claim, 13 Drawing Sheets



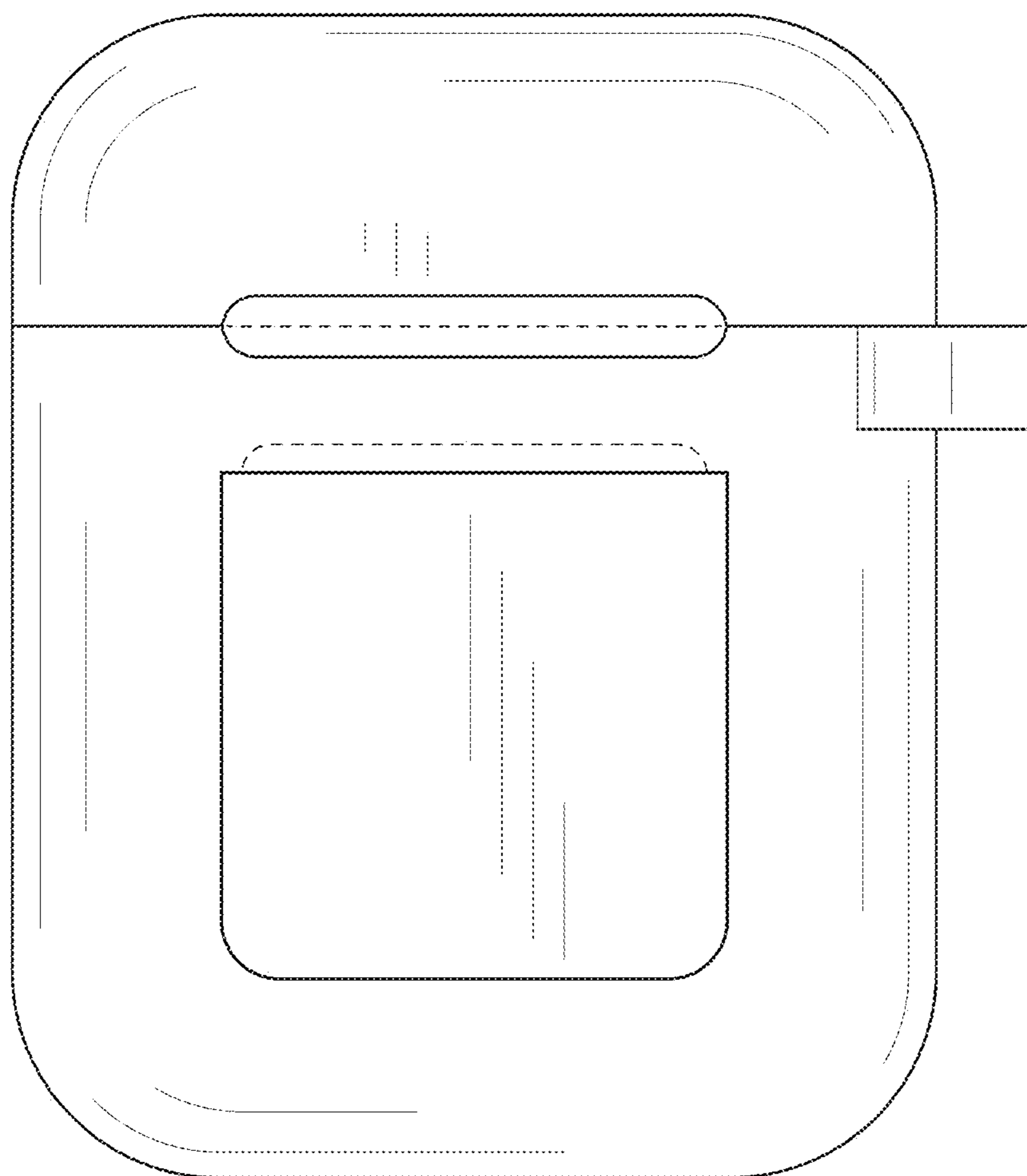


FIG. 1

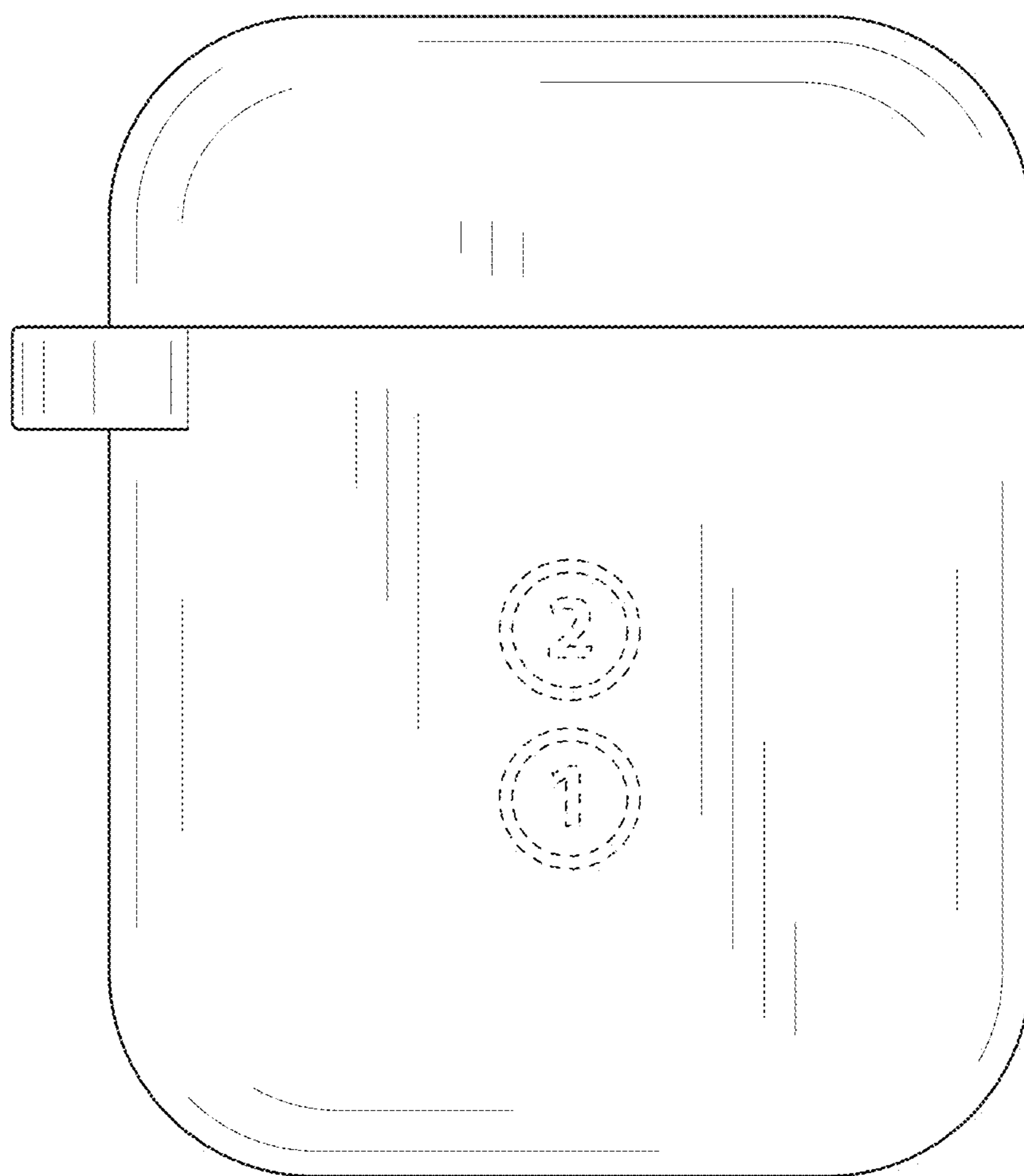


FIG. 2

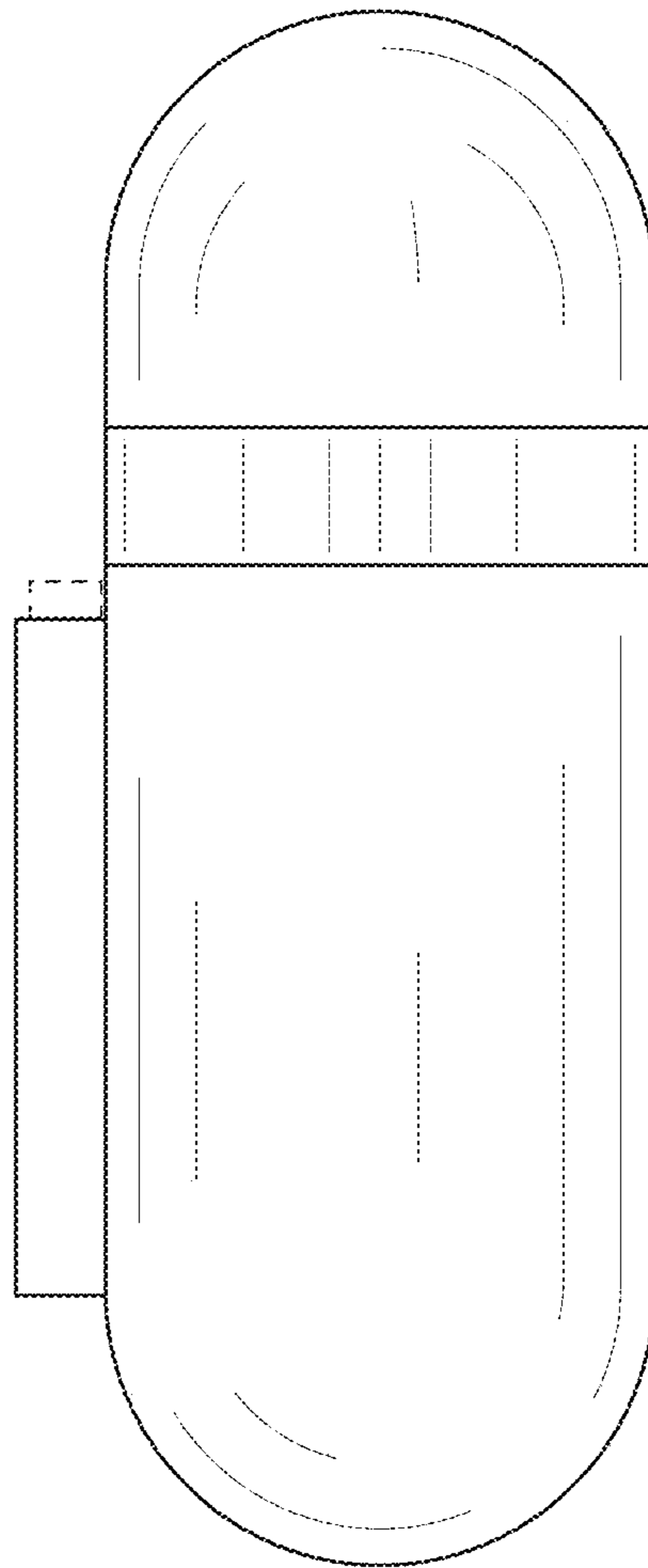


FIG. 3

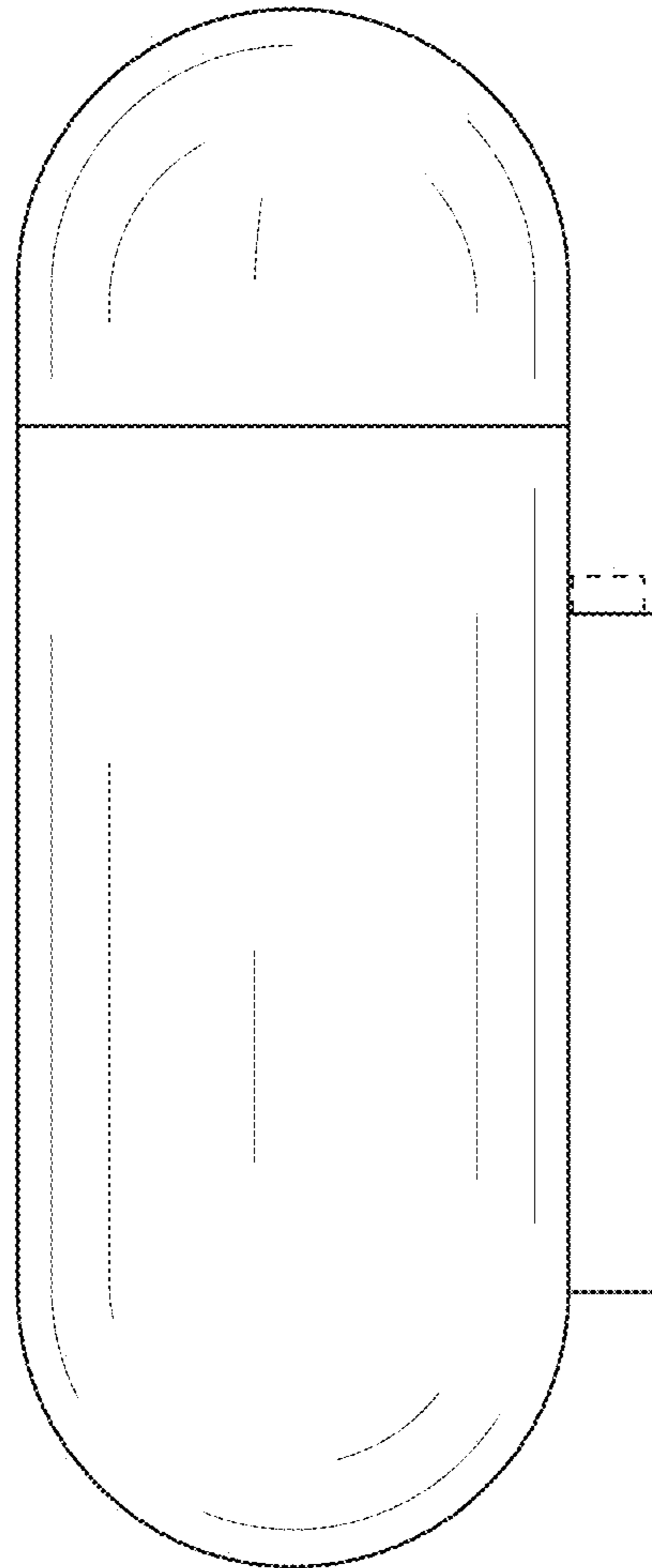


FIG. 4

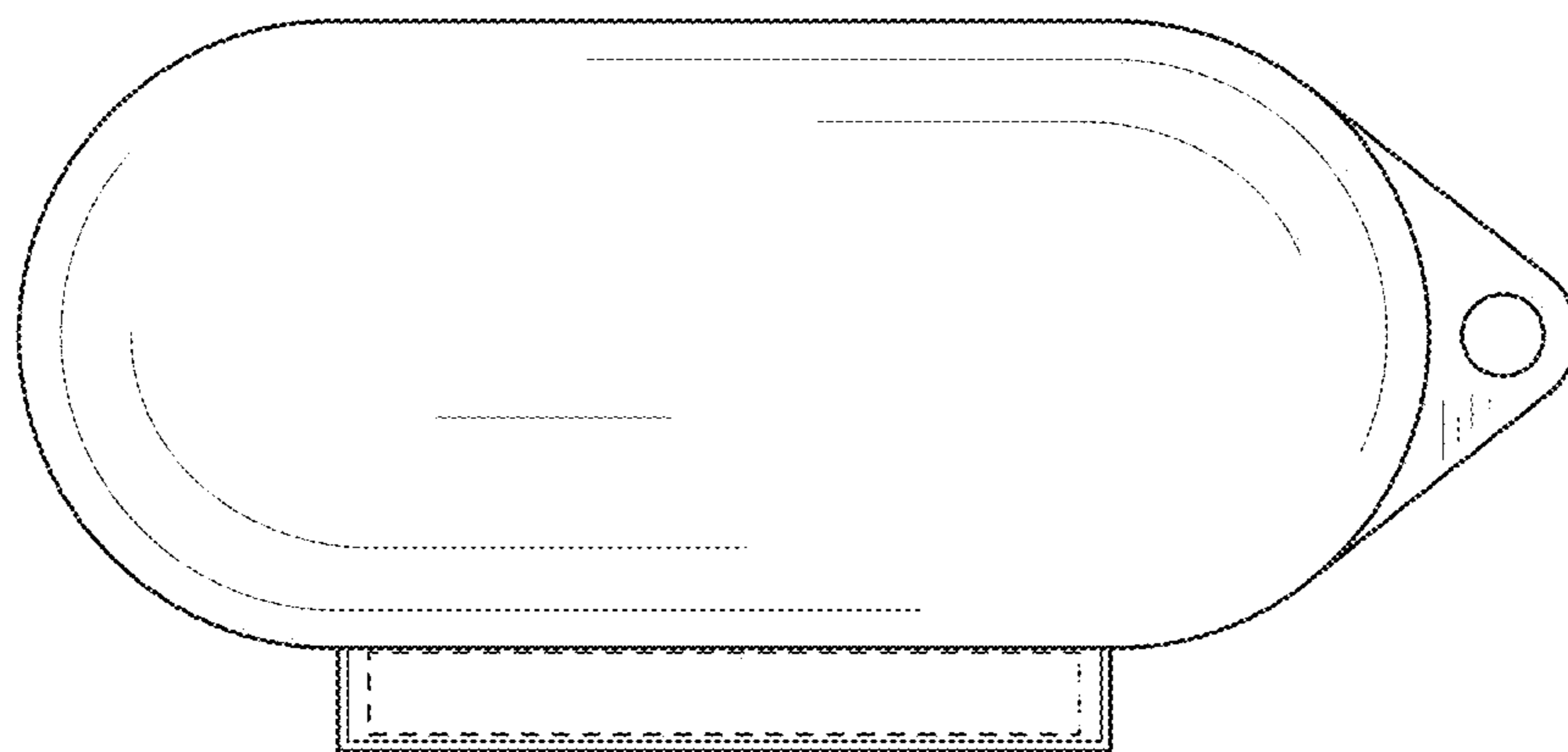


FIG. 5

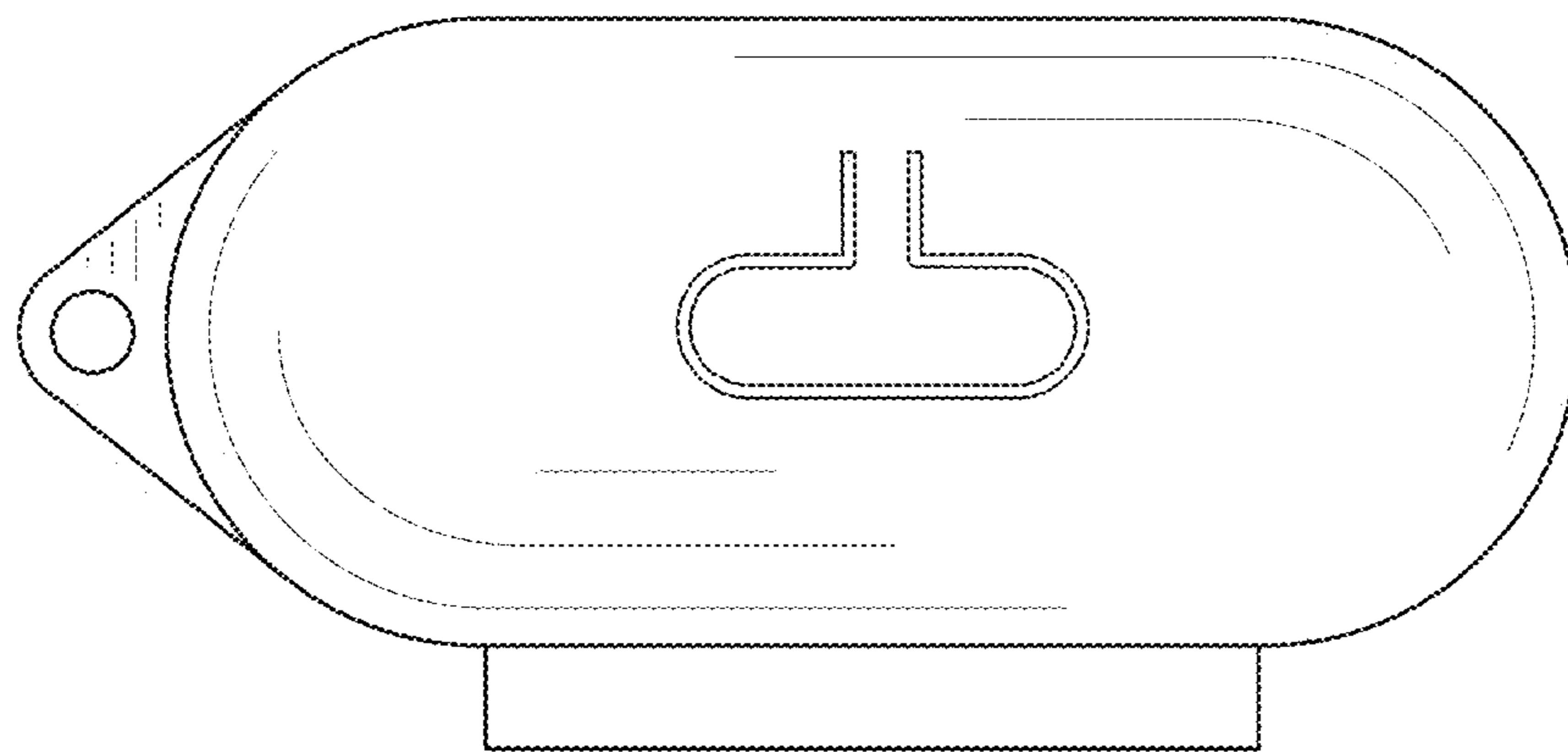


FIG. 6

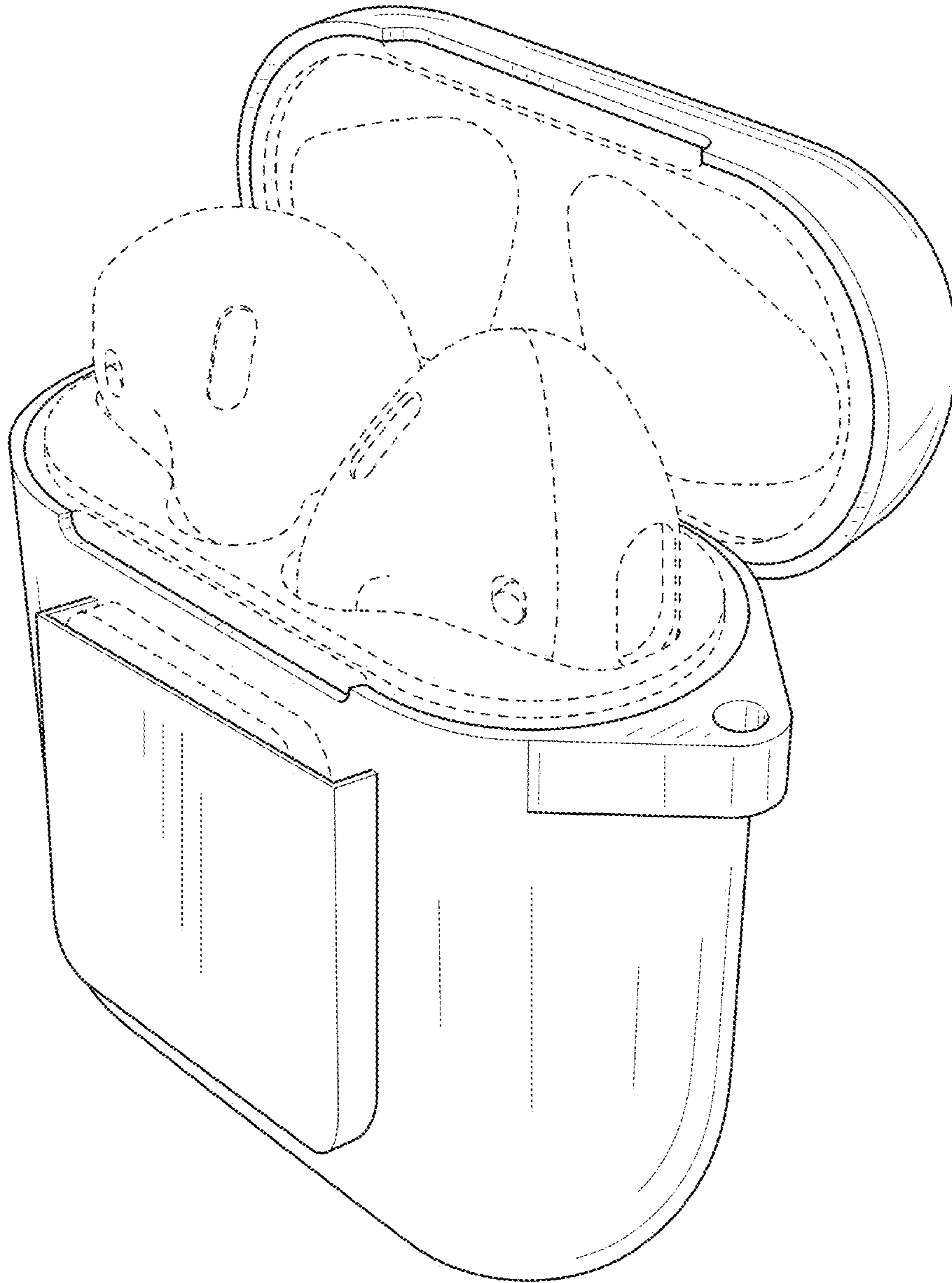


FIG. 7

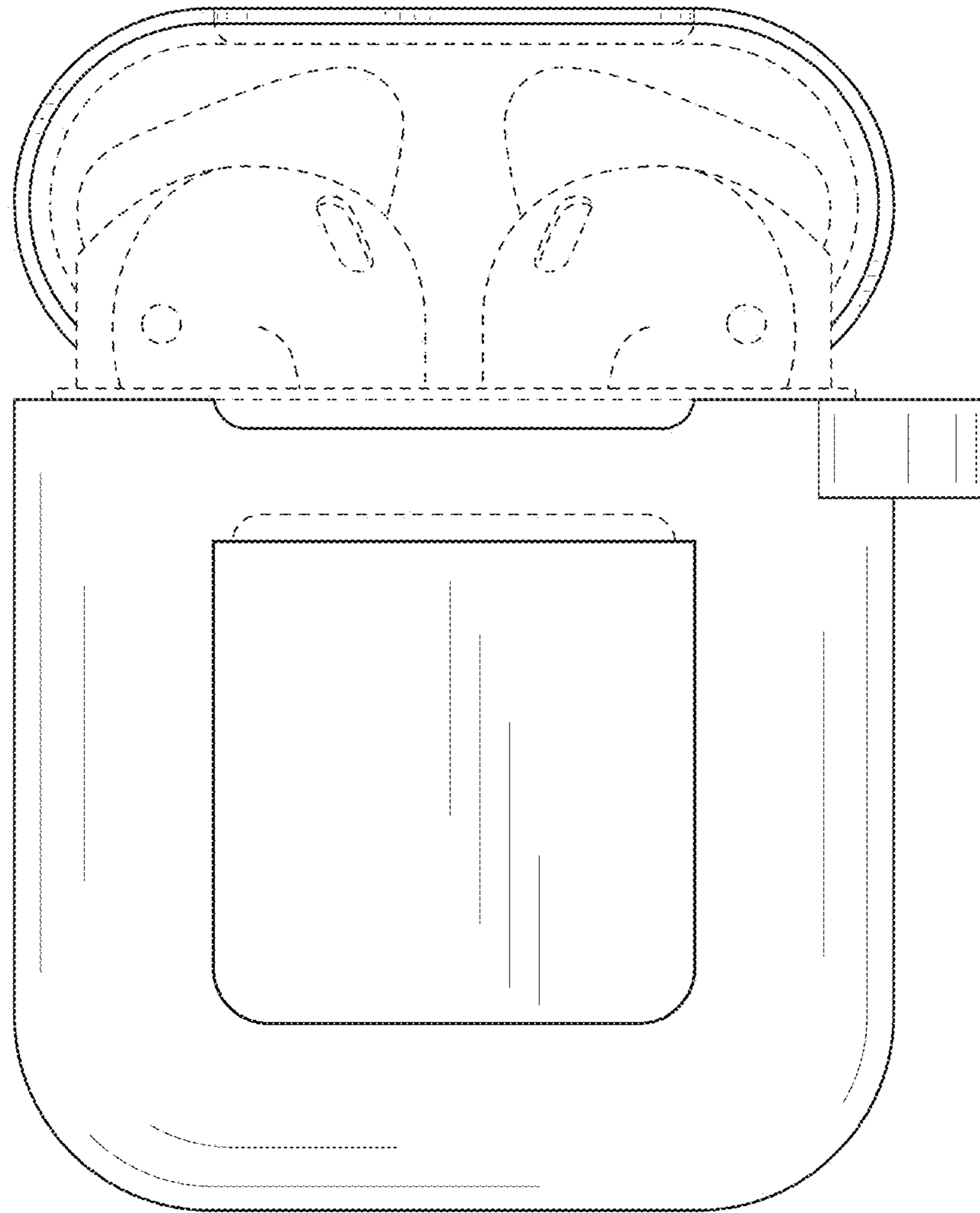


FIG. 8

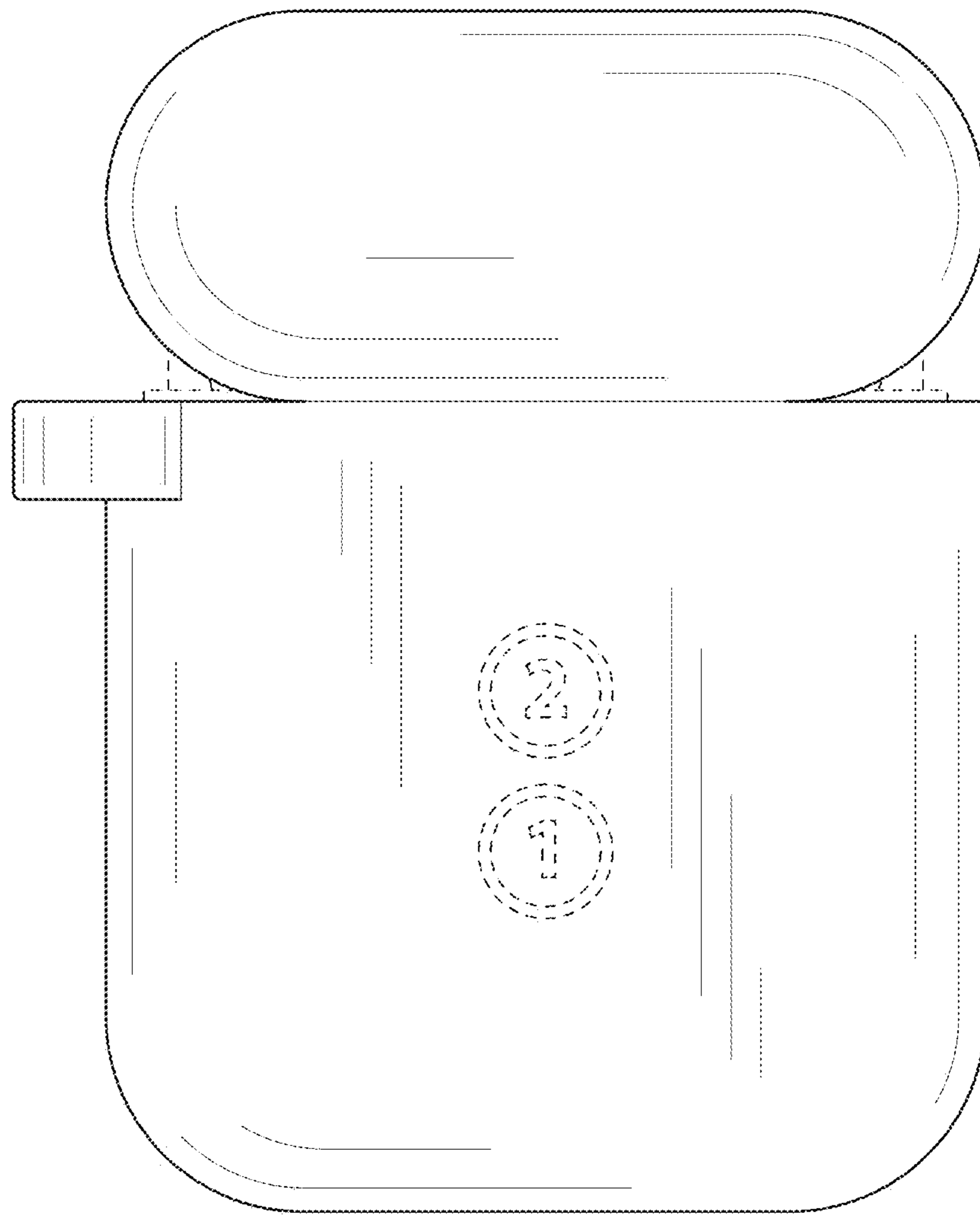


FIG. 9

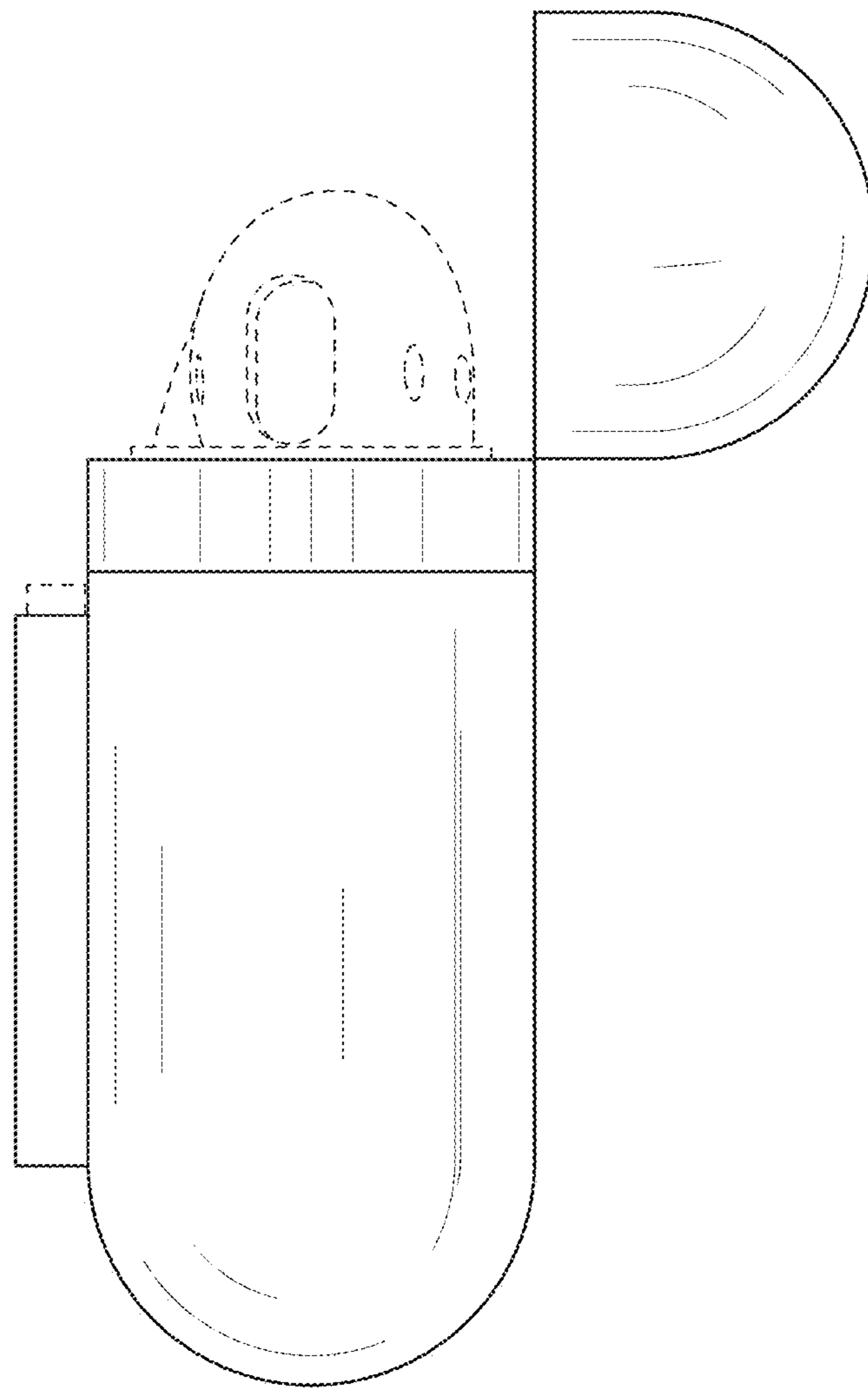


FIG. 10

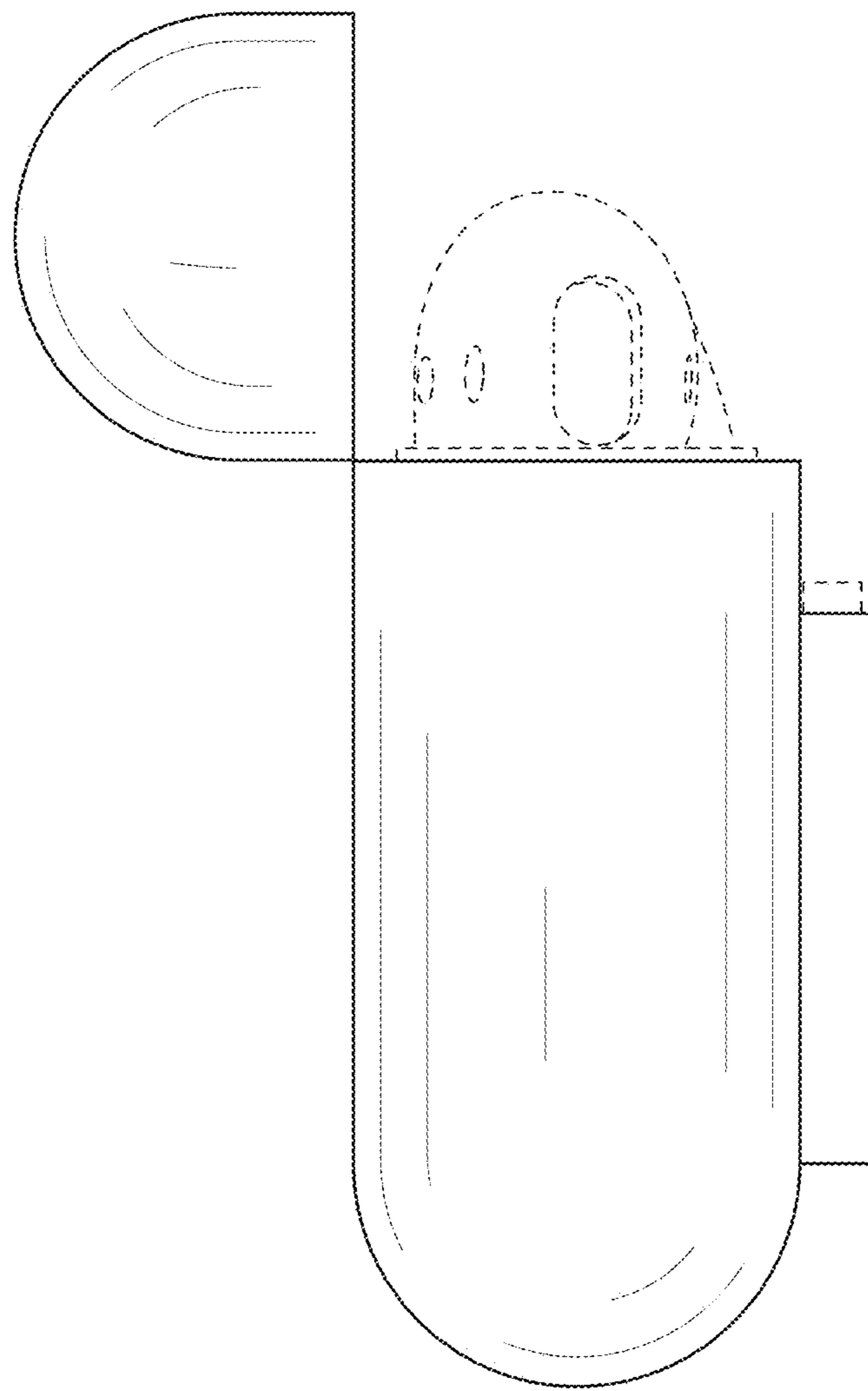


FIG. 11

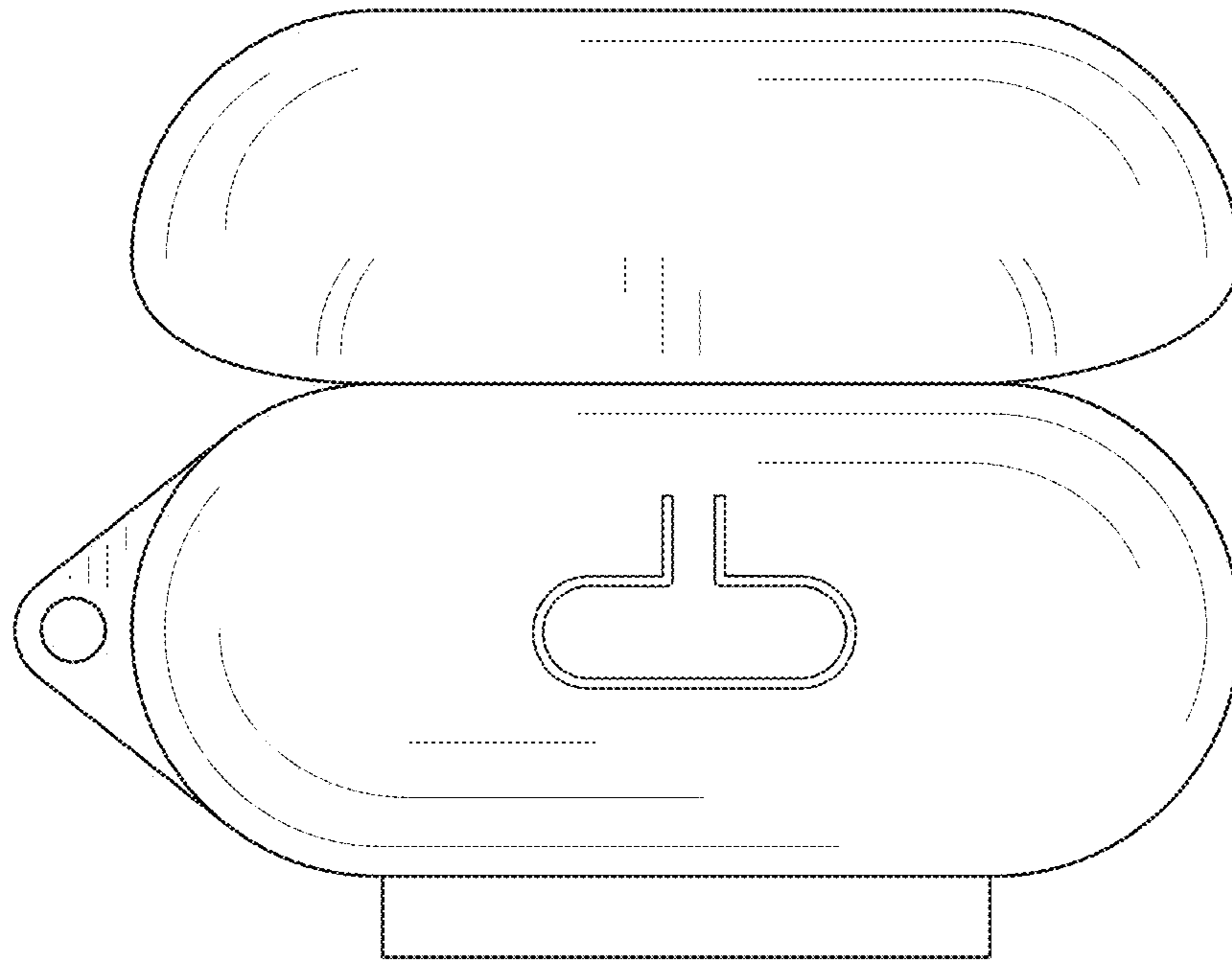


FIG. 12

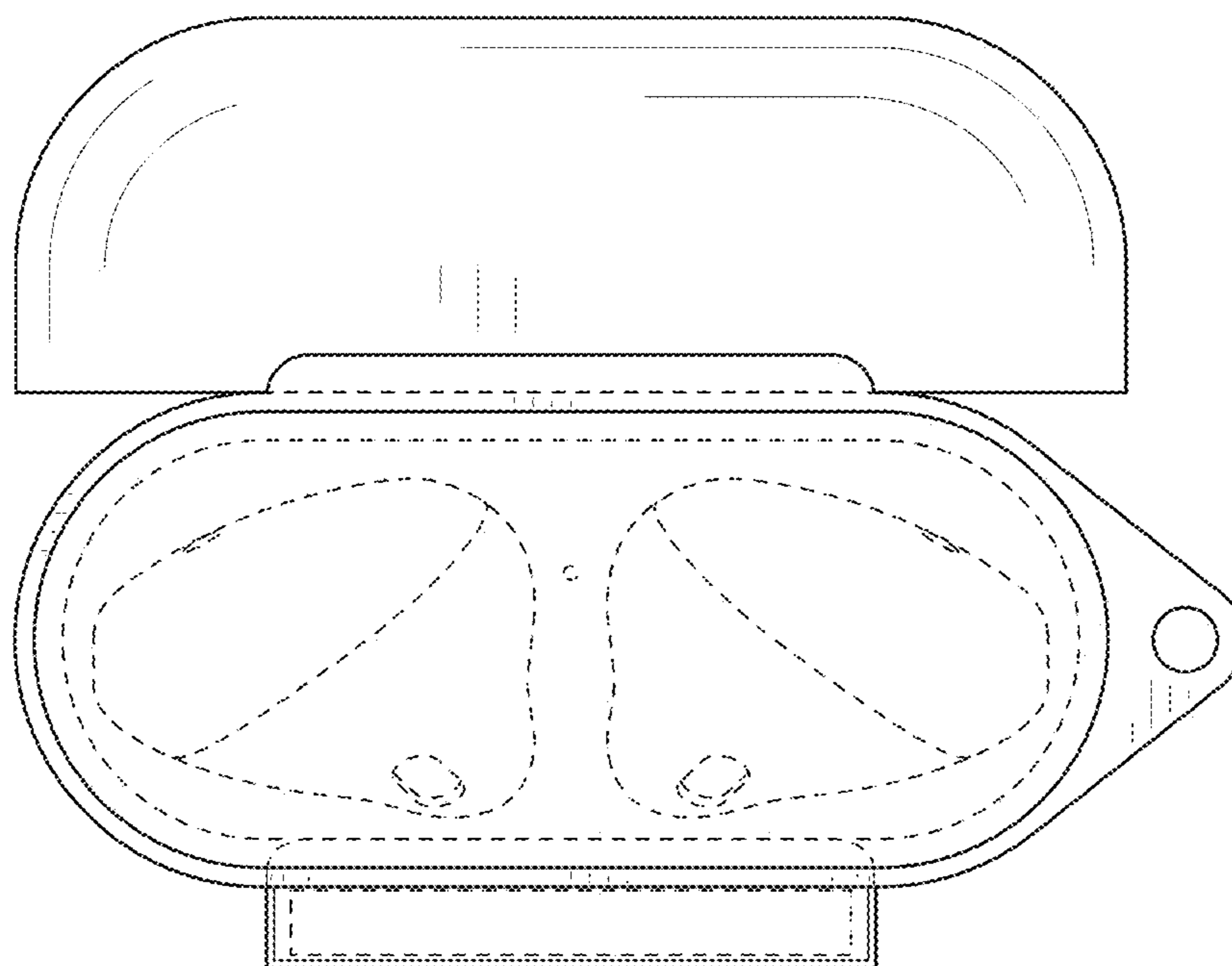


FIG. 13