



US00D924564S

(12) **United States Design Patent** (10) **Patent No.:** **US D924,564 S**
Wheeler (45) **Date of Patent:** **** Jul. 13, 2021**

(54) **STORAGE CASE**

(71) Applicant: **James C. Wheeler**, Atlanta, GA (US)

(72) Inventor: **James C. Wheeler**, Atlanta, GA (US)

(**) Term: **15 Years**

(21) Appl. No.: **29/677,772**

(22) Filed: **Jan. 23, 2019**

(51) **LOC (13) Cl.** **03-01**

(52) **U.S. Cl.**
USPC **D3/294**

(58) **Field of Classification Search**

USPC D3/203.1, 204, 205, 218, 273-274, 276,
D3/283, 284, 294-298, 315, 901, 903;
D9/414, 418, 420, 430, 432; D27/186,
D27/187, 189, 190, 191; D28/9, 73, 76,
D28/78, 82, 91; D6/659, 663, 667,
D6/671.1; D14/188, 204, 209.1; 206/314
CPC A45C 11/00; A45C 2011/001; H05K
9/0007; H05K 9/0086; G10G 7/005;
G10G 7/00

See application file for complete search history.

(56) **References Cited**

U.S. PATENT DOCUMENTS

D241,142 S 5/1881 Keech
D706,231 S 8/1902 Goldman
D886,345 S 5/1908 Burns
1,569,157 A 1/1926 Thompson
1,632,335 A 6/1927 Hiering
2,315,086 A 3/1943 Coller
2,459,921 A 1/1949 Comer
2,508,283 A 5/1950 Nelson et al.
D209,438 S * 11/1967 Rothman D3/296

(Continued)

FOREIGN PATENT DOCUMENTS

CN 305462545 * 11/2019
WO 2019147760 8/2019

OTHER PUBLICATIONS

AxePaxe, posted at axepaxe.com, no posting date, retrieved Jan. 18, 2020, online, URL:https://axepaxe.com/product/axe-paxe/ (Year: 2020).*

(Continued)

Primary Examiner — Lilyana Bekic

Assistant Examiner — Mary Shannon Malley

(74) *Attorney, Agent, or Firm* — Taylor English Duma LLP

(57) **CLAIM**

I claim the ornamental design for a storage case, as shown and described.

DESCRIPTION

FIG. 1 is a top perspective view of a storage case, wherein a first lid and a second lid are in the closed position.

FIG. 2 is a front elevation view thereof.

FIG. 3 is a rear elevation view thereof.

FIG. 4 is a right-side elevation view thereof.

FIG. 5 is a left-side elevation view thereof.

FIG. 6 is a top plan view thereof.

FIG. 7 is a bottom plan view thereof.

FIG. 8 is a top perspective view thereof, wherein the first lid and second lid are in an open position.

FIG. 9 is a front elevation view thereof.

FIG. 10 is a rear elevation view thereof.

FIG. 11 is a right-side elevation view thereof.

FIG. 12 is a left-side elevation view thereof.

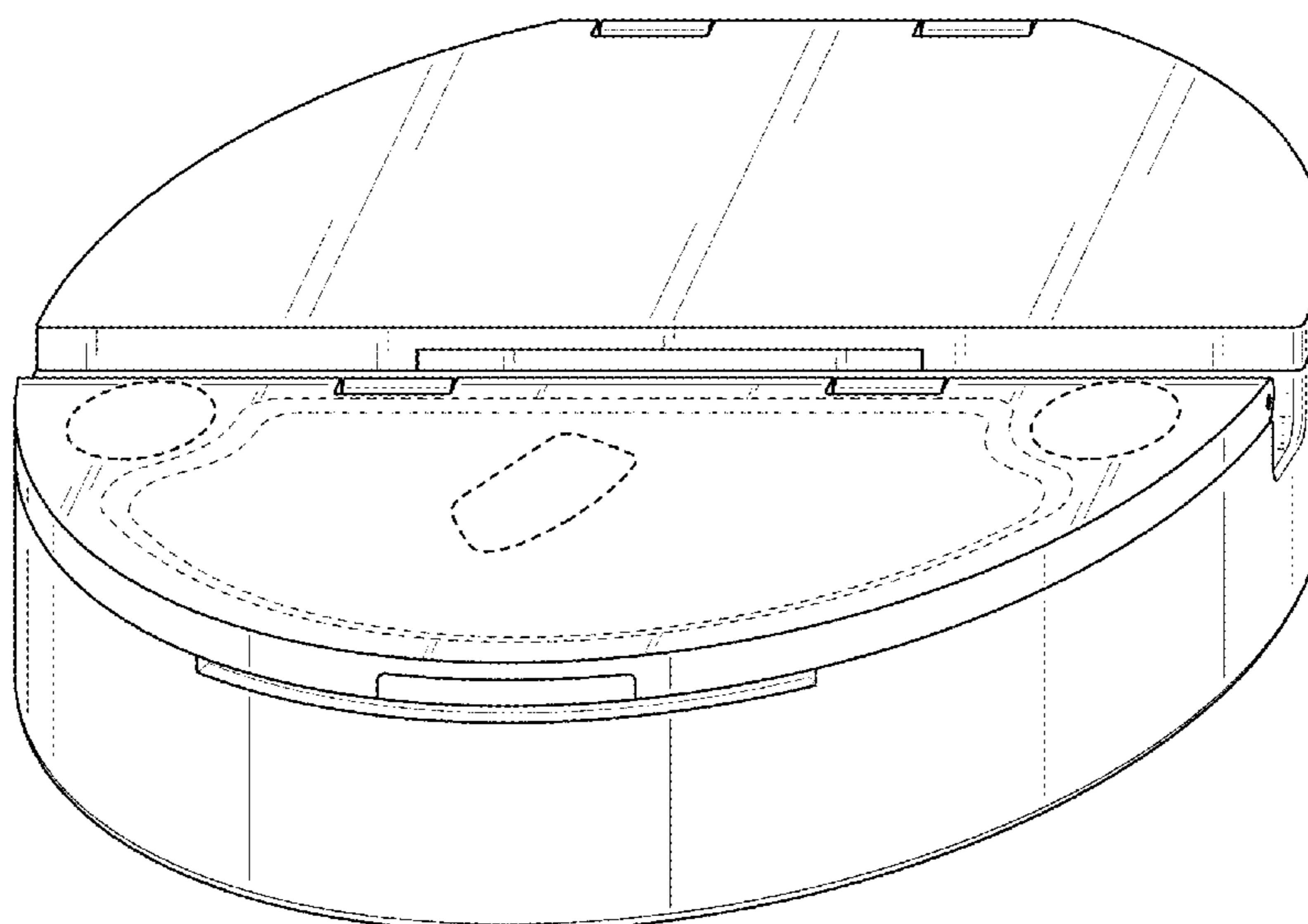
FIG. 13 is a top plan view thereof.

FIG. 14 is a bottom plan view thereof; and,

FIG. 15 is a top perspective view thereof, wherein the first lid is in the closed position and the second lid is in the open position.

The invention pertains to an ornamental design for a storage case. The broken lines depict portions of the storage case that form no part of the claimed design.

1 Claim, 15 Drawing Sheets



(56)

References Cited

U.S. PATENT DOCUMENTS

3,934,745 A 1/1976 Lovell
 4,248,128 A 2/1981 Des Gaines
 4,467,693 A 8/1984 Nasfell, Jr.
 4,790,232 A 12/1988 Rosen
 4,826,014 A 5/1989 Schefer
 D304,644 S 11/1989 Silcox
 D311,027 S 10/1990 Yuen
 D321,983 S * 12/1991 Tackett D3/295
 5,123,564 A 6/1992 Hobson
 5,299,485 A 4/1994 Denton
 5,366,069 A 11/1994 Seidner
 D358,933 S * 6/1995 Stein D19/77
 D369,905 S * 5/1996 Hunt D3/273
 5,564,805 A 10/1996 Dickinson
 D390,332 S 2/1998 Searls
 D392,796 S 3/1998 North
 5,810,164 A 9/1998 Rennecamp
 5,881,904 A 3/1999 House
 5,981,856 A 11/1999 Story
 D431,458 S * 10/2000 Bried D3/203.2
 D436,427 S 1/2001 Grendahl
 6,215,052 B1 4/2001 Giddens et al.
 6,283,287 B1 9/2001 Carl
 6,462,260 B2 10/2002 Fediakov
 D543,350 S * 5/2007 Sanderson D3/201
 7,246,703 B1 7/2007 D'Aquisto
 7,419,054 B1 9/2008 Clayton
 D585,639 S * 2/2009 Taninbaum D3/204
 D590,152 S * 4/2009 Reines D3/273
 7,721,893 B2 5/2010 Law
 D629,202 S * 12/2010 Wai D3/201
 D668,015 S 9/2012 Lynch
 8,376,303 B2 2/2013 Yang et al.
 D678,675 S * 3/2013 Lin D3/273
 D707,287 S 6/2014 Thomas
 8,742,239 B1 6/2014 Storck
 8,789,745 B1 7/2014 Barbary
 9,472,172 B1 10/2016 Nassab
 9,837,056 B1 12/2017 Davis
 2002/0048414 A1 4/2002 Wilfer

2004/0029518 A1 2/2004 Tanidis et al.
 2006/0076260 A1 4/2006 Luburic
 2006/0096440 A1 5/2006 Weathersby
 2008/0156667 A1 7/2008 Huggins
 2008/0302696 A1 12/2008 Moore
 2009/0301913 A1 12/2009 Scaletta et al.
 2010/0012739 A1 1/2010 Hoeth
 2010/0116692 A1 5/2010 Depuydt et al.
 2010/0230307 A1 9/2010 Kriesel
 2011/0024421 A1 2/2011 Luburic
 2011/0226643 A1 9/2011 Kates et al.
 2012/0076565 A1 3/2012 Cocchioni
 2012/0153114 A1 6/2012 Yang et al.
 2013/0134282 A1 5/2013 Negretti
 2013/0277529 A1 10/2013 Bolliger
 2014/0123513 A1 5/2014 Ciffin
 2015/0206520 A1 * 7/2015 Hoeft G10G 7/005
 206/314
 2015/0300556 A1 10/2015 Fan
 2017/0210524 A1 7/2017 Dougherty
 2017/0241590 A1 8/2017 Boubli
 2018/0166049 A1 * 6/2018 Young G10G 7/00
 2019/0189099 A1 * 6/2019 Bedore G10H 3/18
 2019/0228753 A1 7/2019 Wheeler
 2019/0254454 A1 8/2019 Boyatt
 2020/0126520 A1 4/2020 Flynn

OTHER PUBLICATIONS

Gear Review: AxePaxe, posted at youtube.com, posted Mar. 22, 2018, retrieved Jan. 18, 2020, online, URL:https://www.youtube.com/watch?v=p645l8OCnQg (Year: 2018).
 Wheeler, James C.; International Search Report and Written Opinion for PCT Application No. PCT/US19/14887, filed Jan. 24, 2019, dated Apr. 12, 2019, 11 pgs.
 Wheeler, James C.; Non-Final Office Action for U.S. Appl. No. 16/255,289, filed Jan. 23, 2019, dated Oct. 19, 2020, 35 pgs.
 Wheeler, James C.; Final Office Action for U.S. Appl. No. 16/255,289, filed Jan. 23, 2019, dated Feb. 25, 2021, 15 pgs.
 Wheeler, James C.; Notice of Allowance for U.S. Appl. No. 16/255,289, filed Jan. 23, 2019, dated May 4, 2021, 8 pgs.

* cited by examiner

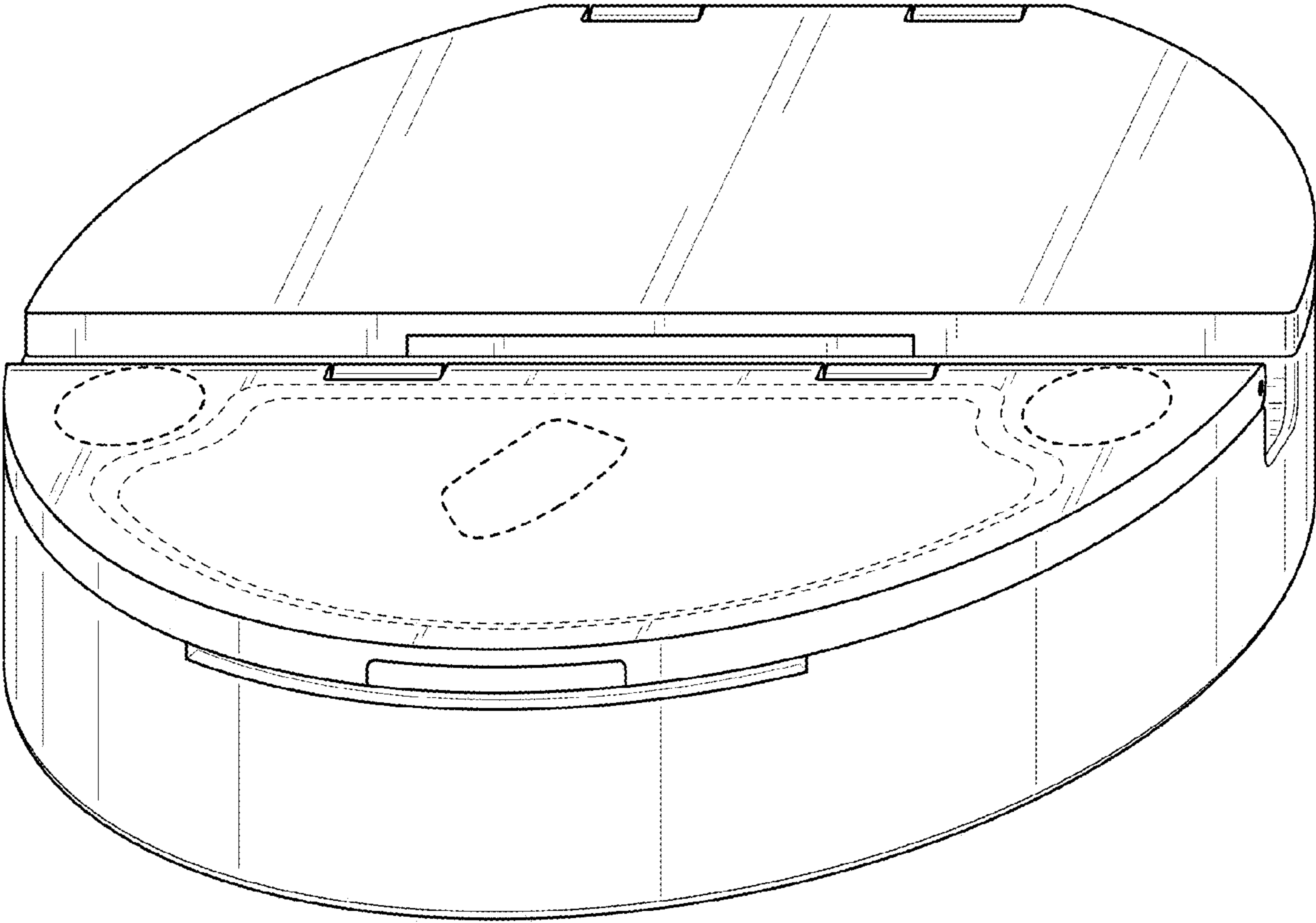


FIG. 1

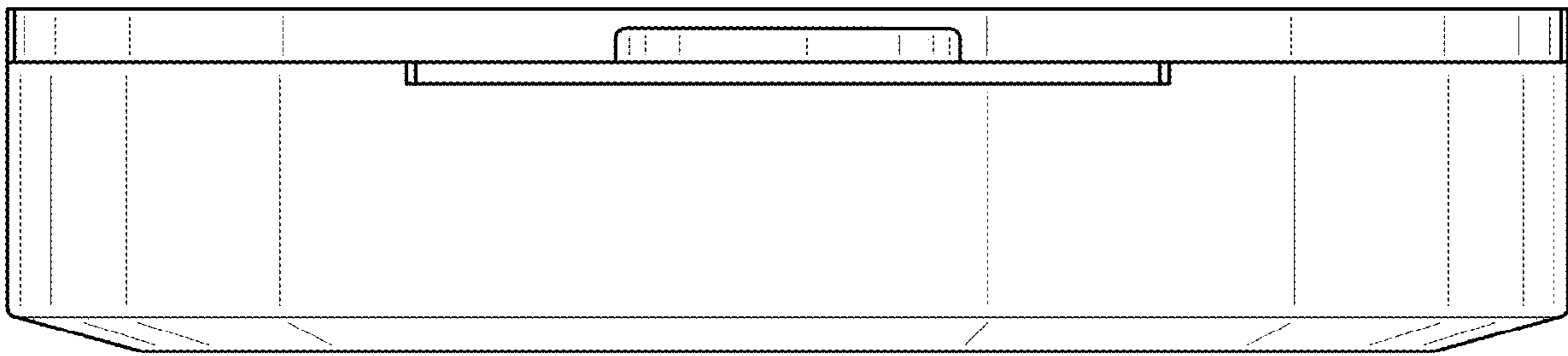


FIG. 2

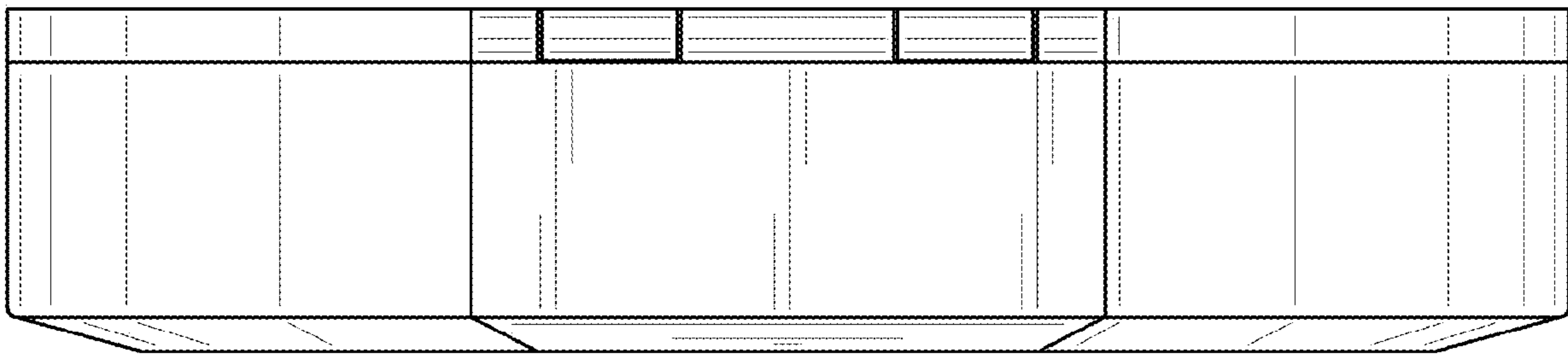


FIG. 3

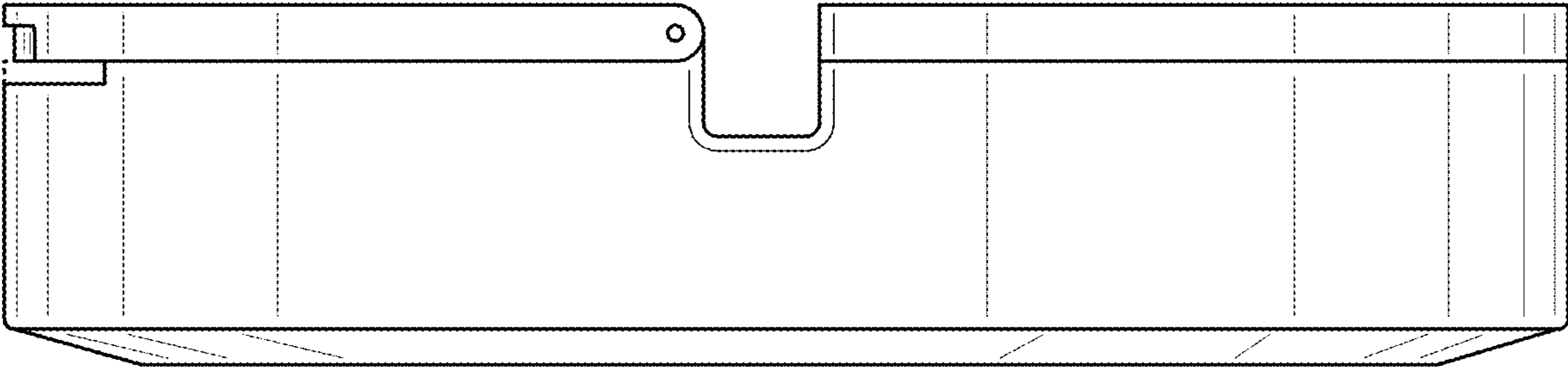


FIG. 4

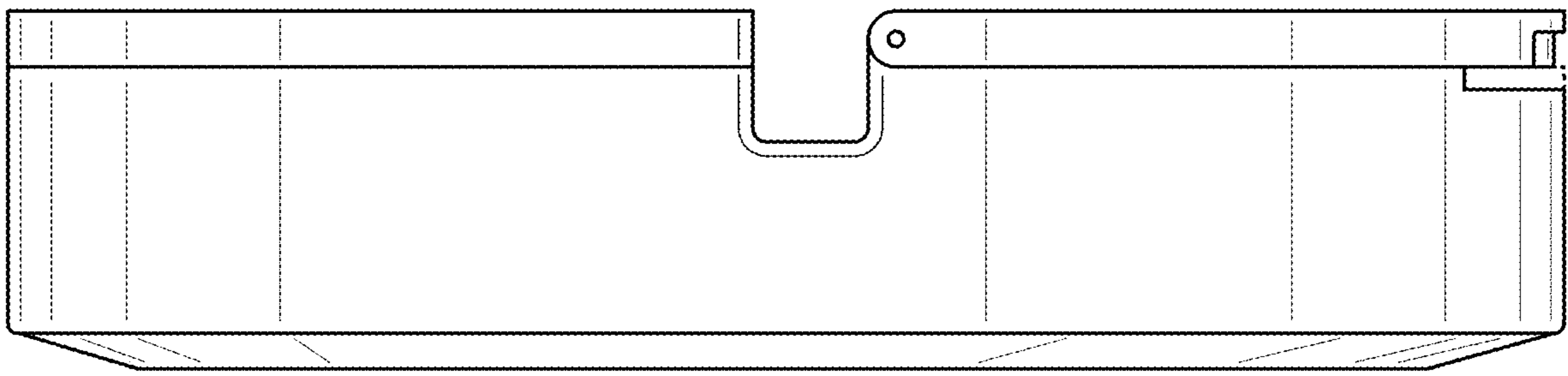


FIG. 5

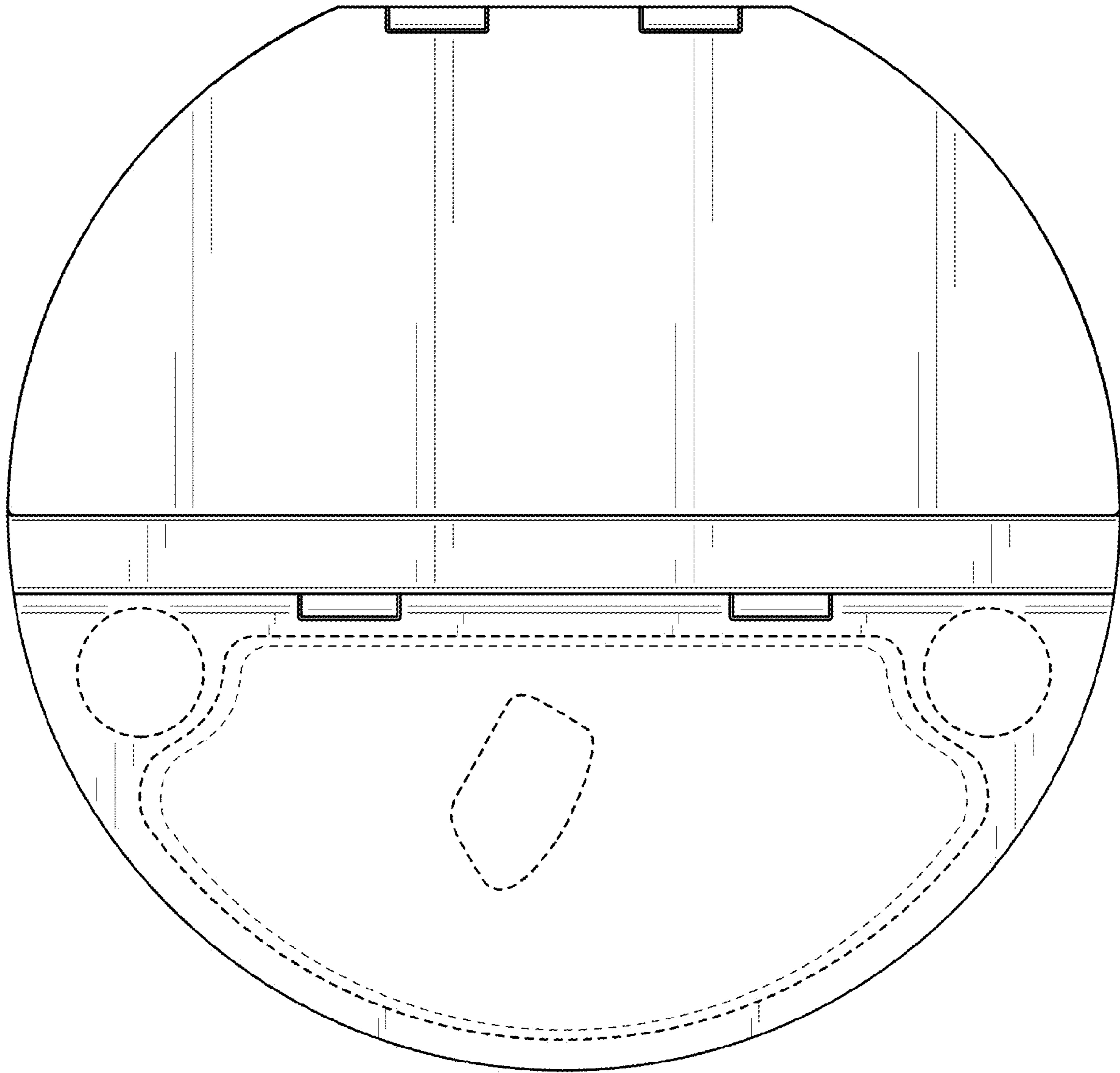


FIG. 6

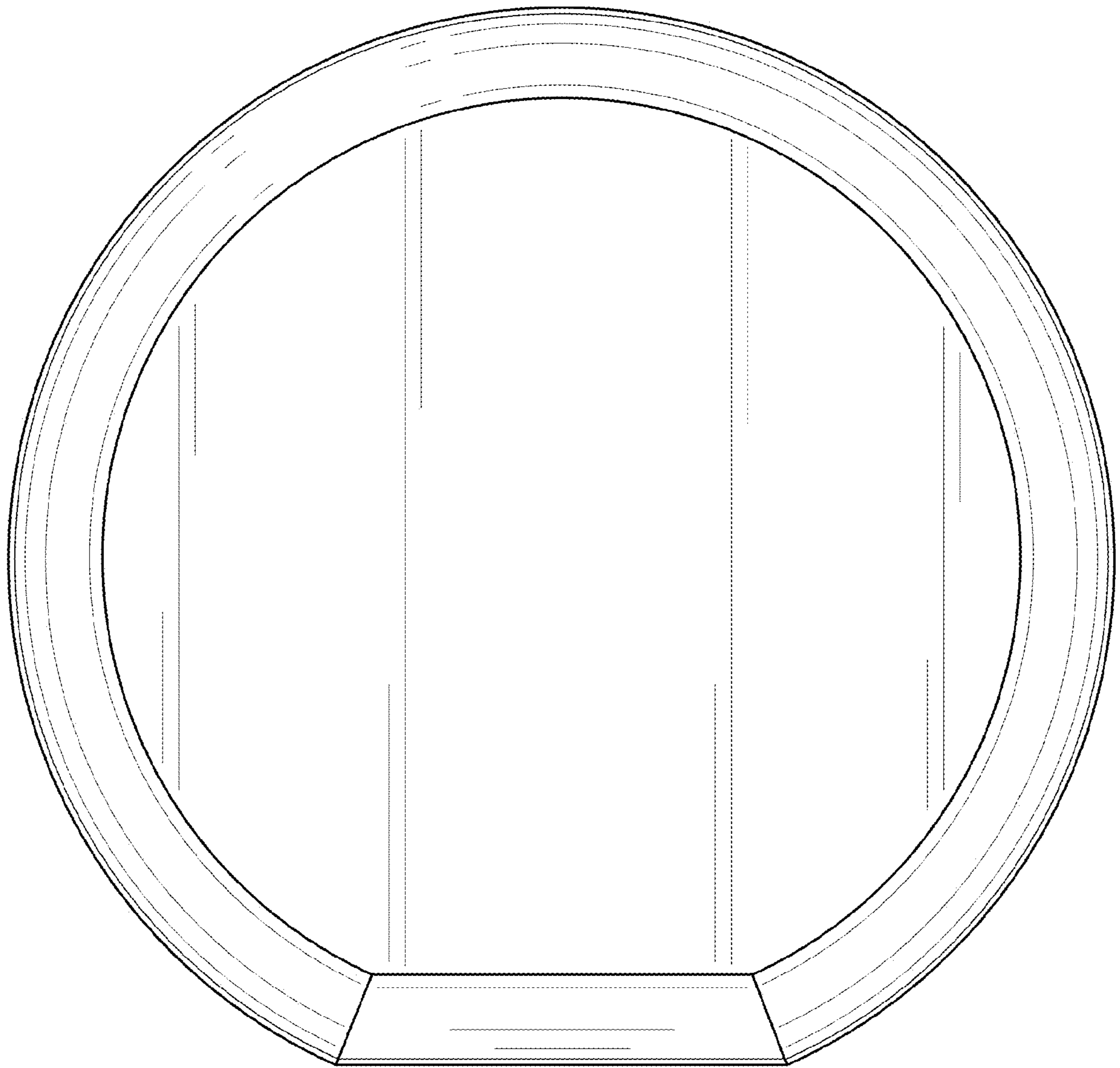


FIG. 7

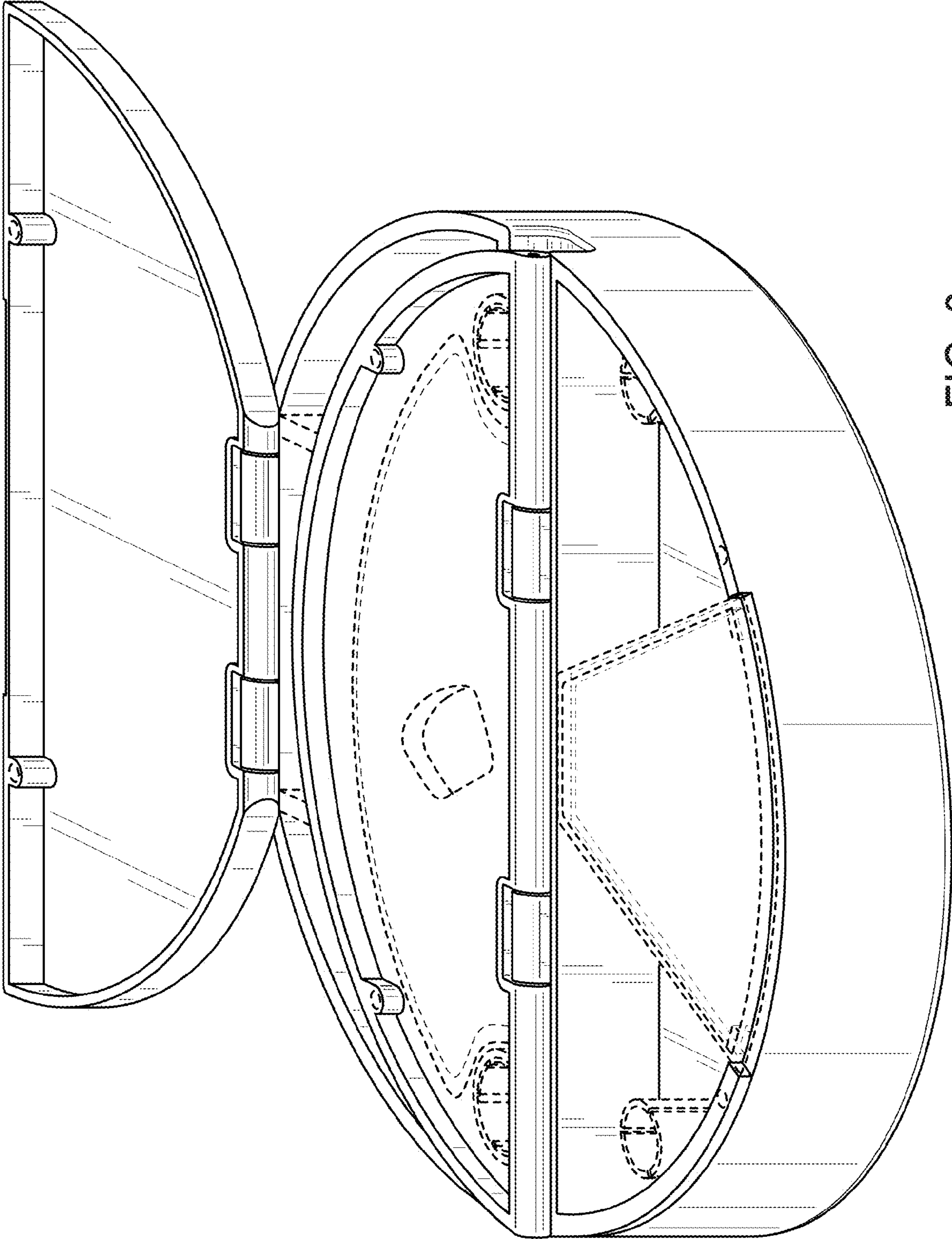


FIG. 8

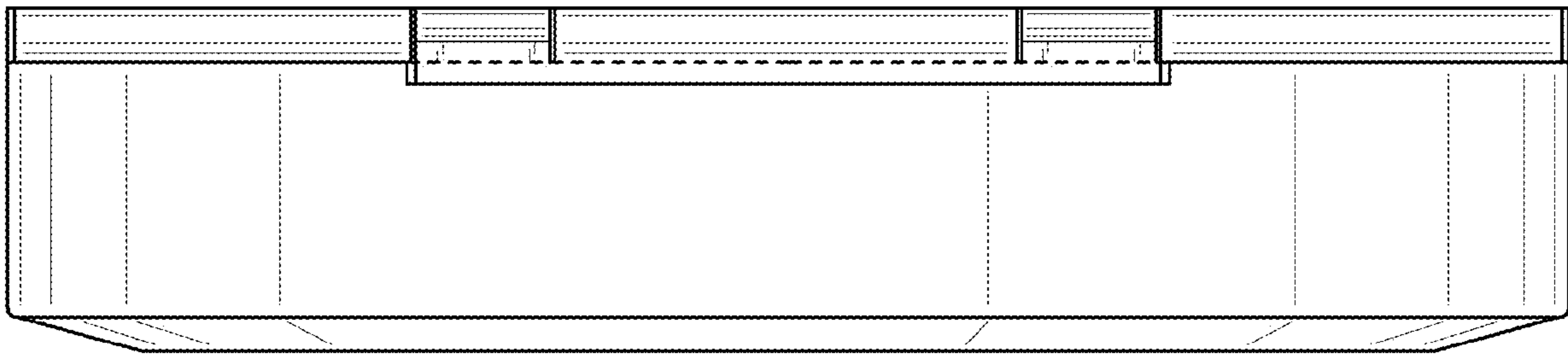


FIG. 9

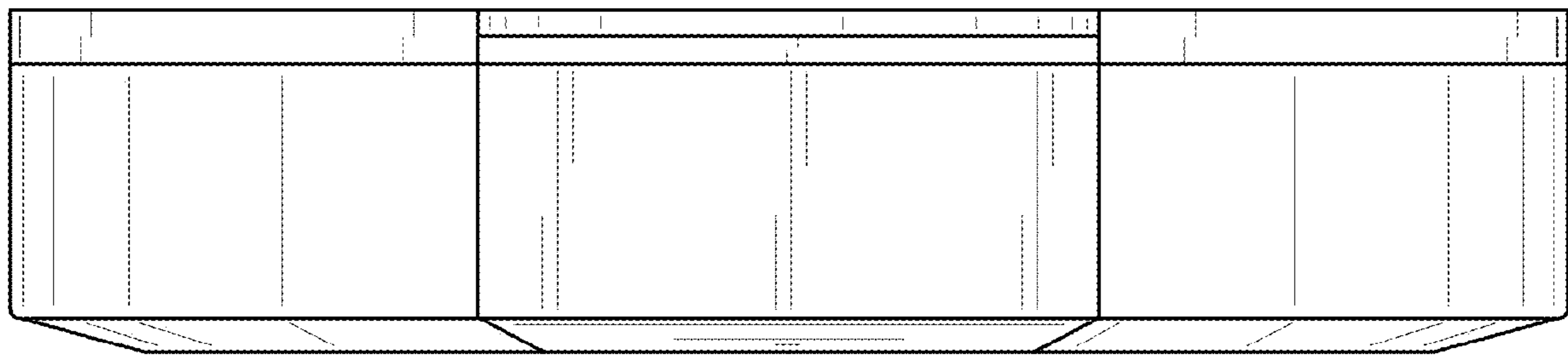


FIG. 10

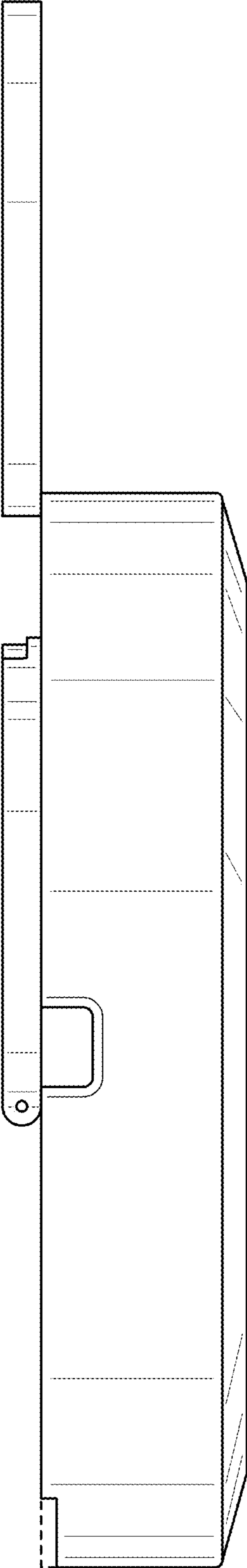


FIG. 11

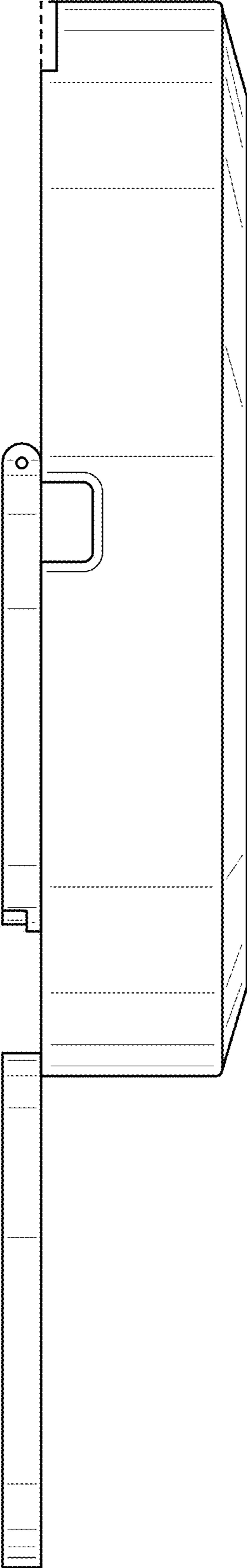


FIG. 12

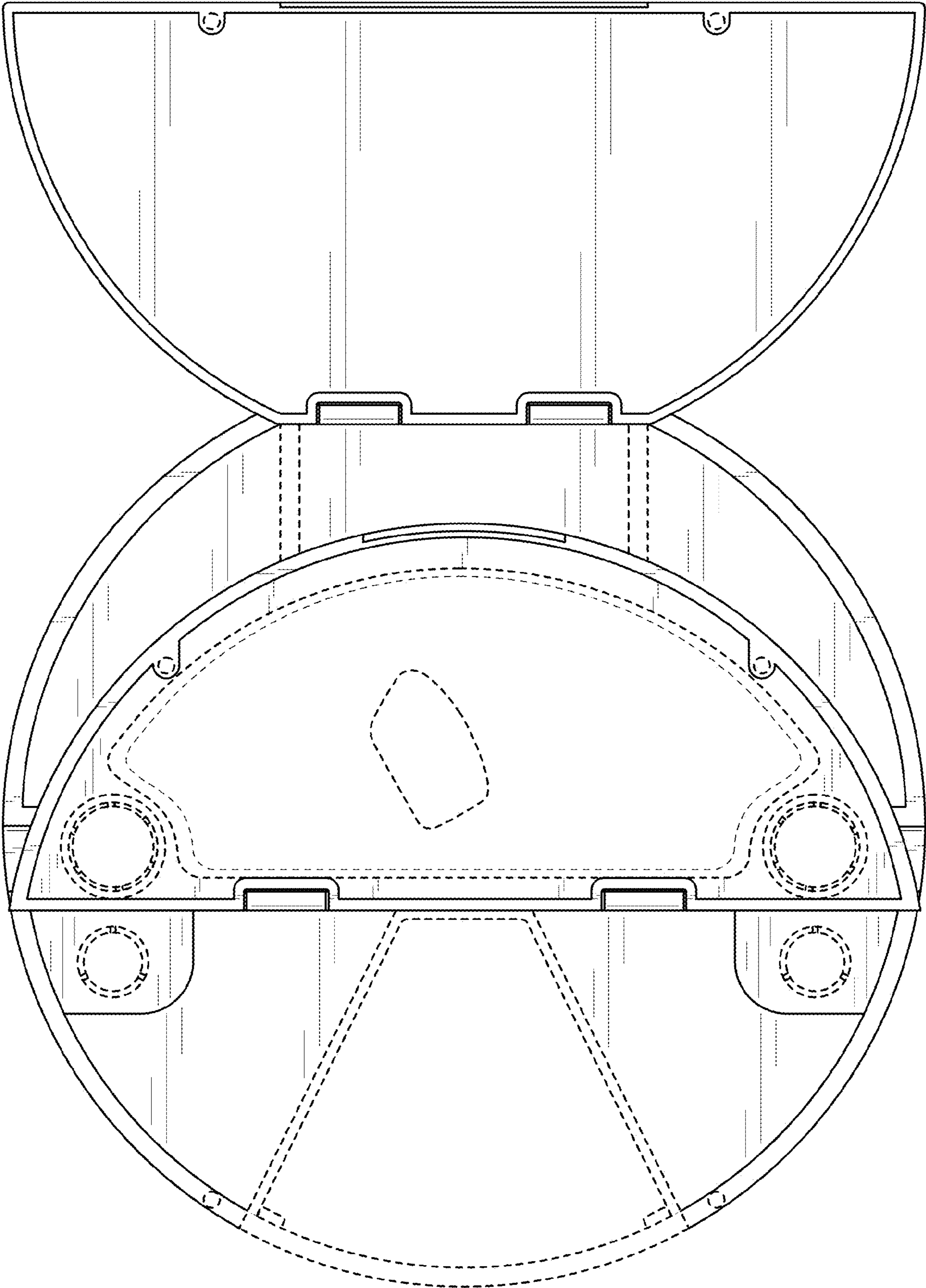


FIG. 13

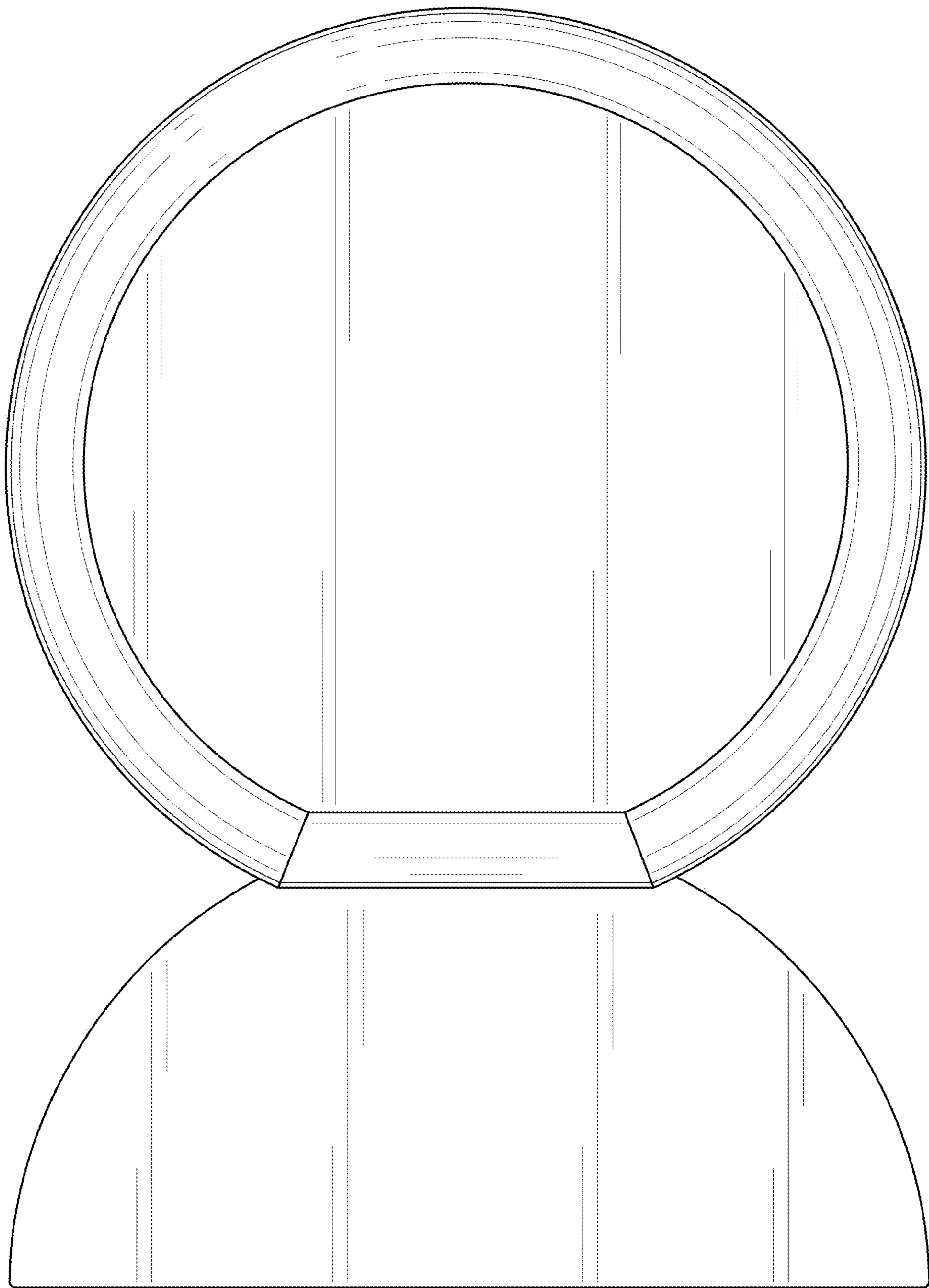


FIG. 14

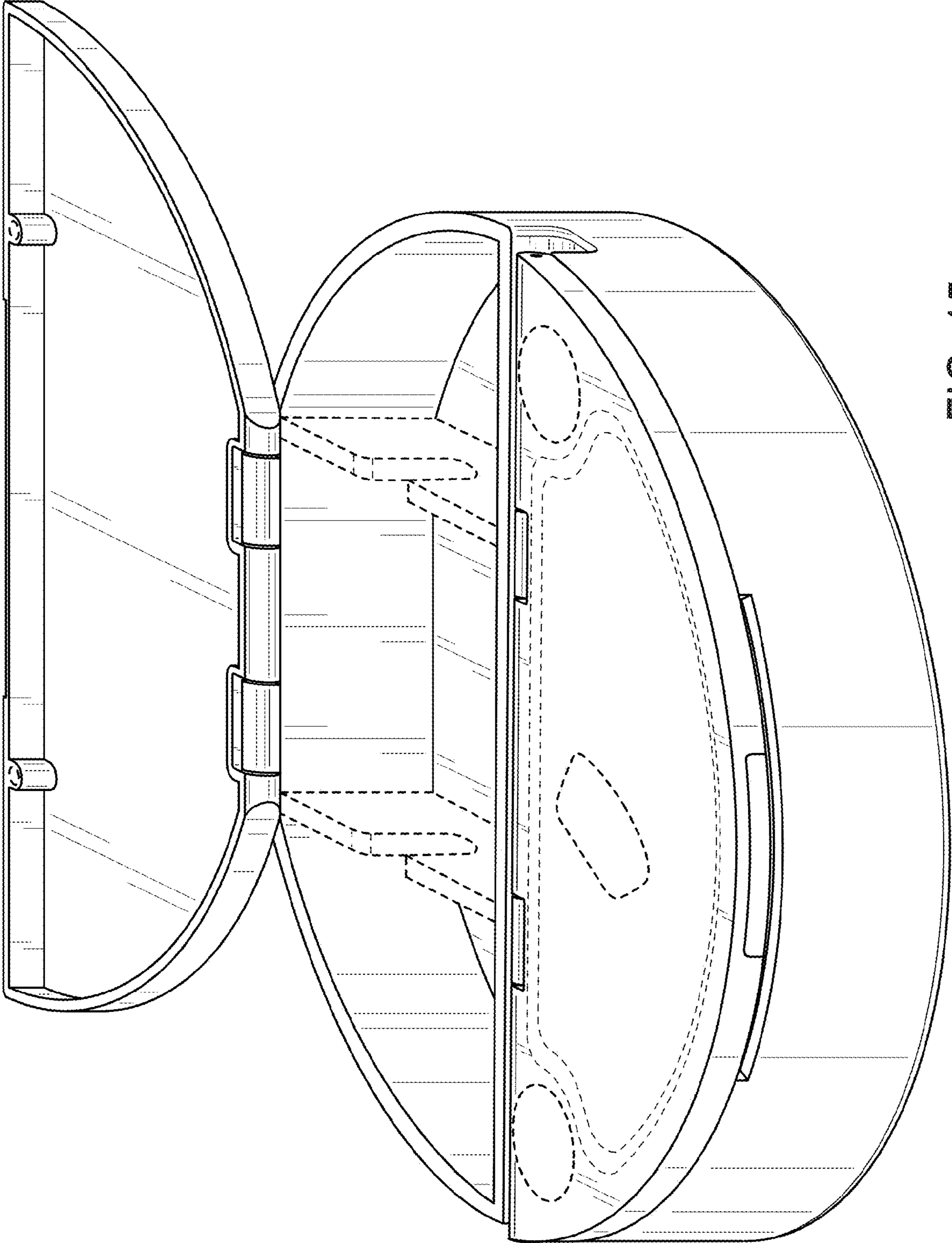


FIG. 15