



US00D924563S

(12) **United States Design Patent**
Tilly

(10) **Patent No.:** **US D924,563 S**
(45) **Date of Patent:** **** Jul. 13, 2021**

(54) **TOOL CHEST**

(71) Applicant: **SW-Stahl GmbH**, Remscheid (DE)

(72) Inventor: **Heinrich Tilly**, Brilon (DE)

(73) Assignee: **SW-Stahl GmbH**, Remscheid (DE)

(**) Term: **15 Years**

(21) Appl. No.: **29/714,524**

(22) Filed: **Nov. 24, 2019**

(30) **Foreign Application Priority Data**

Jul. 11, 2019 (EM) 006622361-0001
Jul. 11, 2019 (EM) 006622361-0002
Jul. 11, 2019 (EM) 006622361-0003

(51) **LOC (13) Cl.** **03-01**

(52) **U.S. Cl.**
USPC **D3/282; D3/294**

(58) **Field of Classification Search**
USPC D3/203.1–203.3, 203.6, 205–206, 226,
D3/228, 273–274, 276, 281–291,
(Continued)

(56) **References Cited**

U.S. PATENT DOCUMENTS

D406,192 S * 3/1999 Schurman D3/282
D448,167 S * 9/2001 Pangerc D3/273
(Continued)

FOREIGN PATENT DOCUMENTS

CN 301723614 * 11/2011
CN 302159131 * 11/2012
(Continued)

OTHER PUBLICATIONS

Craftsman 100-Piece Drill Bit Kit, unknown first available date,
shopyourway.com [online], [site visited Jan. 27, 2021], Available at

internet URL: <https://www.shopyourway.com/craftsman-100-piece-drill-bit-kit/128473598> (Year: 2021).*

(Continued)

Primary Examiner — Jeffrey D Asch

Assistant Examiner — Caitlin A Laverty

(74) *Attorney, Agent, or Firm* — Michael Soderman

(57) **CLAIM**

The ornamental design for a tool chest, as shown and described.

DESCRIPTION

FIG. 1 is a top plan view of a first embodiment of a tool chest showing the new design;

FIG. 2 is a bottom view thereof;

FIG. 3 is a front view thereof;

FIG. 4 is a rear view thereof;

FIG. 5 is a first side view thereof;

FIG. 6 is a second side view thereof;

FIG. 7 is a perspective view of the top, front and second sides thereof.

FIG. 8 is a top plan view of a second embodiment of a tool chest showing the new design;

FIG. 9 is a bottom view thereof;

FIG. 10 is a front view thereof;

FIG. 11 is a rear view thereof;

FIG. 12 is a first side view thereof;

FIG. 13 is a second side view thereof;

FIG. 14 is a perspective view of the top, front and second sides thereof.

FIG. 15 is a top plan view of a third embodiment of a tool chest showing the new design;

FIG. 16 is a bottom view thereof;

FIG. 17 is a front view thereof;

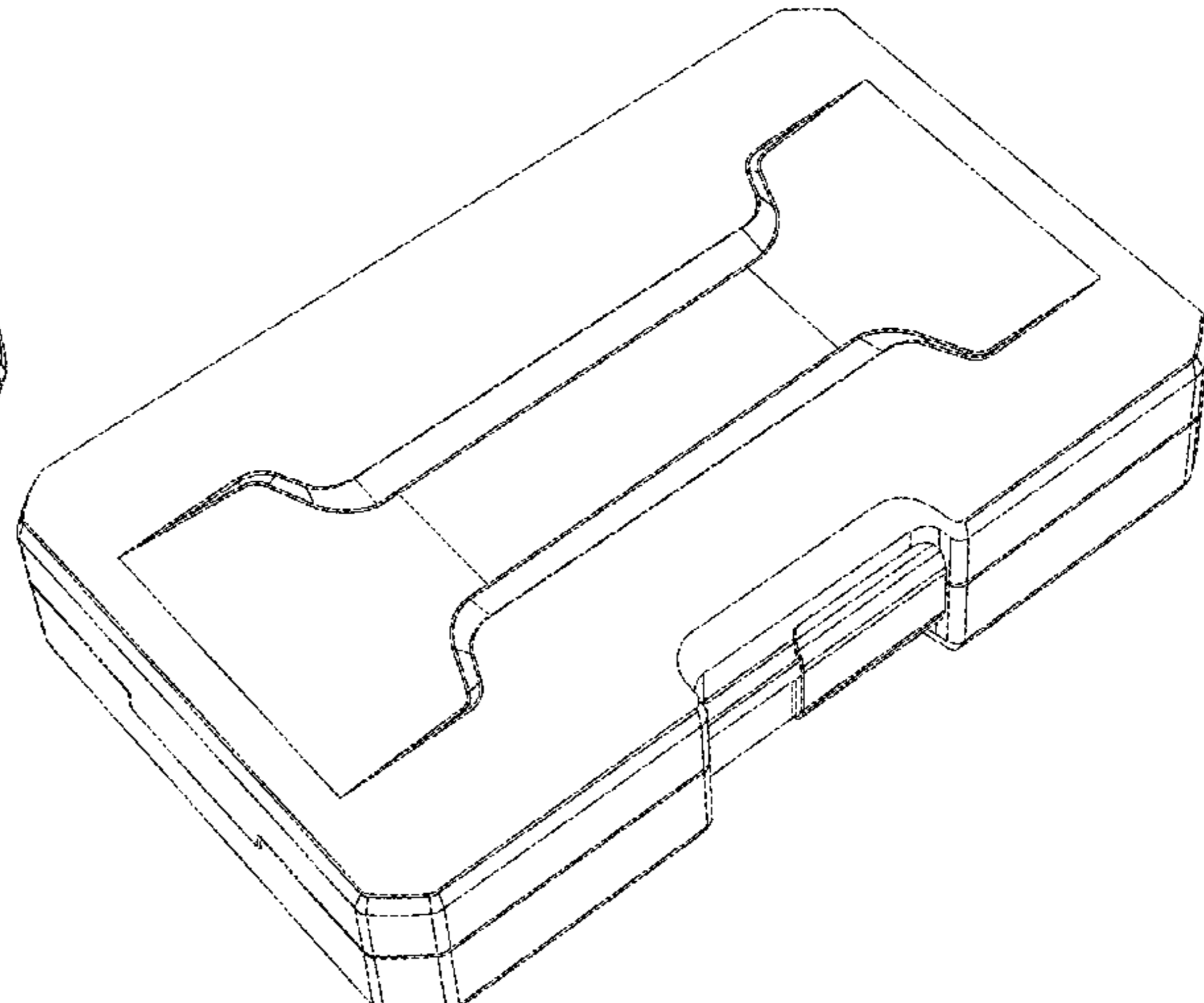
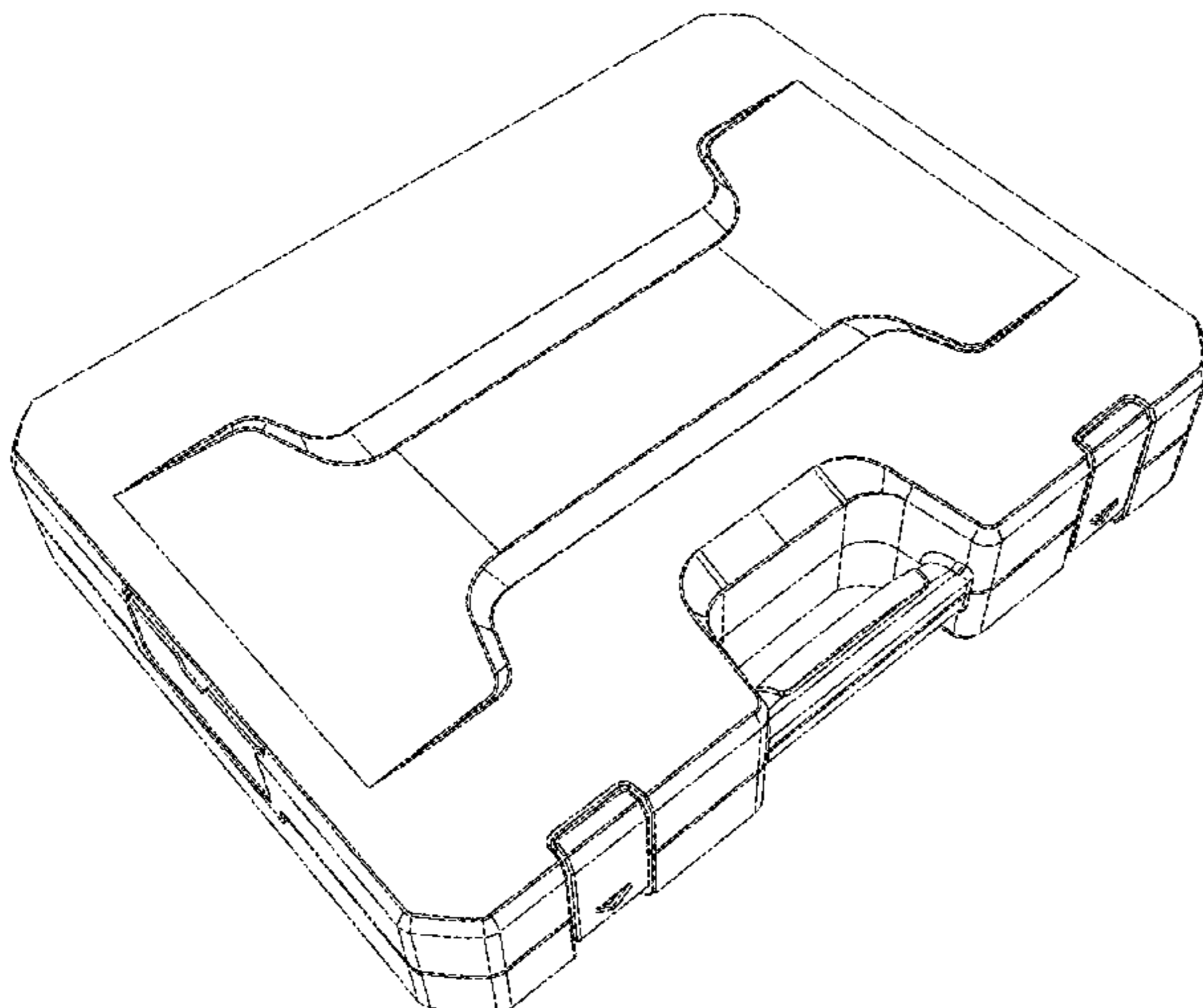
FIG. 18 is a rear view thereof;

FIG. 19 is a first side view thereof;

FIG. 20 is a second side view thereof; and,

FIG. 21 is a perspective view of the top, front and second sides thereof.

1 Claim, 21 Drawing Sheets



(58) **Field of Classification Search**

USPC D3/293–304, 313, 901, 903, 905;
 D28/73, 76
 CPC B01L 3/0585; B01L 9/06; B65D 1/00;
 B65D 1/34; B65D 1/36; B65D 85/00;
 A45D 44/18; A45C 3/00; A45C 3/004;
 A45C 5/00; A45C 5/04; A45C 5/14;
 A45C 5/005; A45C 7/0095; A45C 9/00;
 A45C 11/00; A45C 11/008; A45C 11/16;
 A45C 11/26; A45C 13/02; A45C 15/04;
 A45C 2003/008; A45C 2011/007; A45F
 3/04; A45F 3/047; A45F 3/10; A45F
 3/14; A45F 4/02; A45F 4/08; A45F
 2200/05; A45F 2200/0525; B25H 3/00;
 B25H 3/02; B25H 3/003; B25H 3/006;
 B25H 3/023; B25H 3/028

See application file for complete search history.

(56) **References Cited**

U.S. PATENT DOCUMENTS

D477,912 S * 8/2003 Cunningham D3/273
 D502,316 S * 3/2005 Chen D3/273
 D505,549 S * 5/2005 Hosking D14/509
 D516,311 S * 3/2006 Lai D3/282
 D566,392 S * 4/2008 Aglassinger D3/282
 D572,479 S * 7/2008 Buck D3/282
 D579,202 S * 10/2008 Grenier D3/294
 D604,510 S * 11/2009 Cho D3/282
 D636,996 S * 5/2011 Kokawa D3/282
 D773,184 S * 12/2016 Ko D3/274
 D858,994 S * 9/2019 Chang D3/318
 D858,995 S * 9/2019 Chang D3/318
 D873,011 S * 1/2020 Kao D3/282

D874,823 S * 2/2020 Christen D3/294
 D877,510 S * 3/2020 Christen D3/294
 D891,769 S * 8/2020 Chen D3/262
 D904,020 S * 12/2020 Chen D3/282
 10,960,533 B2 * 3/2021 Zeng B25H 3/02
 D918,580 S * 5/2021 Kogel D3/276
 2012/0248131 A1 * 10/2012 Wang B25H 3/02
 220/830
 2015/0165617 A1 * 6/2015 Chern B25H 3/02
 206/374
 2015/0190919 A1 * 7/2015 Chang A44B 11/28
 206/349
 2020/0070333 A1 * 3/2020 Liu B25H 3/02
 2021/0078157 A1 * 3/2021 McDonnough B25H 3/006

FOREIGN PATENT DOCUMENTS

CN 304759966 * 8/2018
 EM 006622361-0001 * 7/2019
 EM 006622361-0002 * 7/2019
 EM 006622361-0003 * 7/2019
 JP D1372128 * 11/2009

OTHER PUBLICATIONS

Stanley 117PC Tool Kit, unknown first available date, adyjohns.com.au [online], [site visited Jan. 27, 2021], Available at internet URL: <https://www.adyjohns.com.au/product/stanley-117pc-tool-kit/> (Year: 2021).*

65 PC Homeowner's Tool Kit, first available 2019 (based on customer review), stanleytools.com [online], [site visited Jan. 27, 2021], Available at internet URL: <https://www.stanleytools.com/products/automotive-tools/mechanics-set/65-pc-homeowners-tool-kit/94-248> (Year: 2019).*

* cited by examiner

Fig. 1

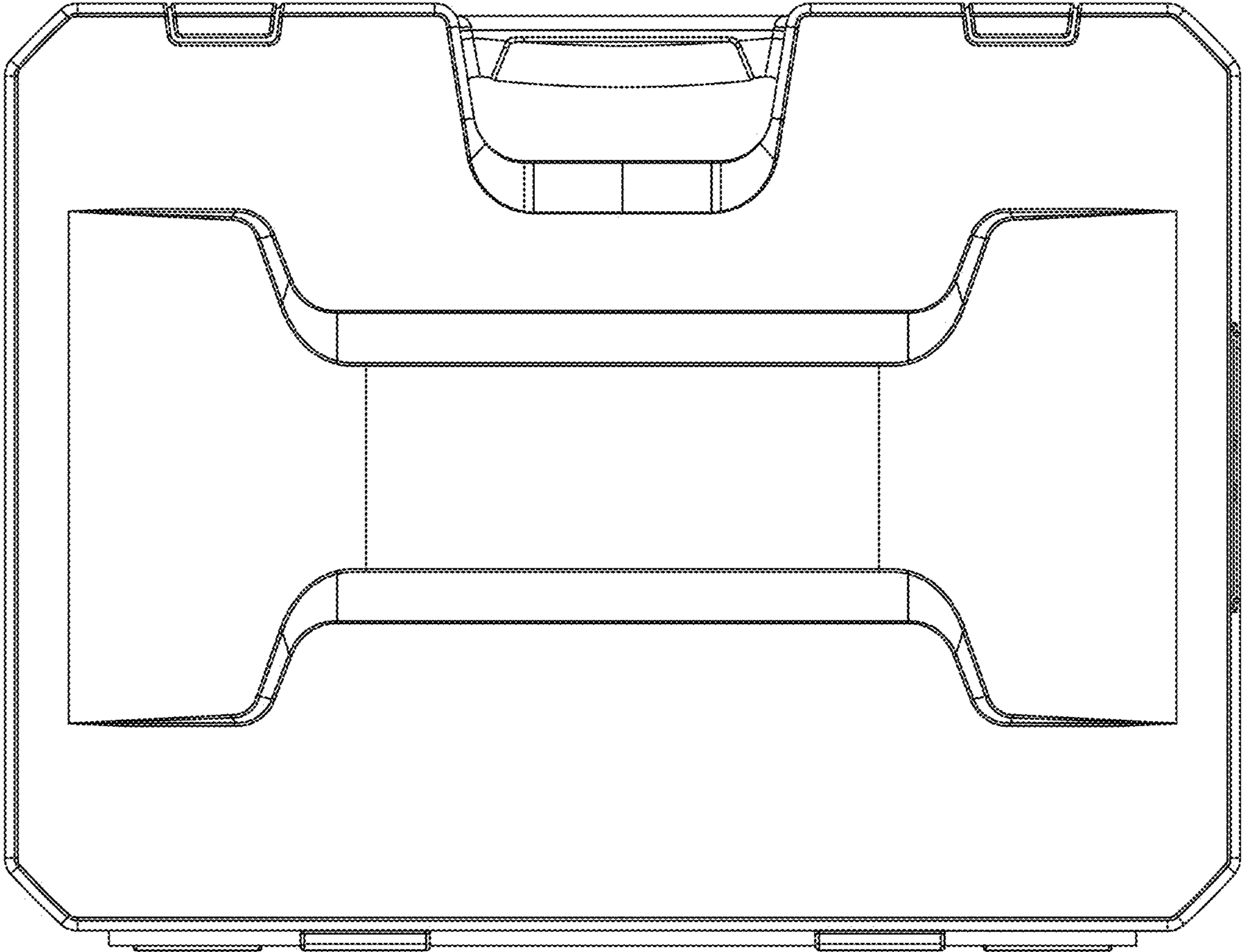


Fig. 2

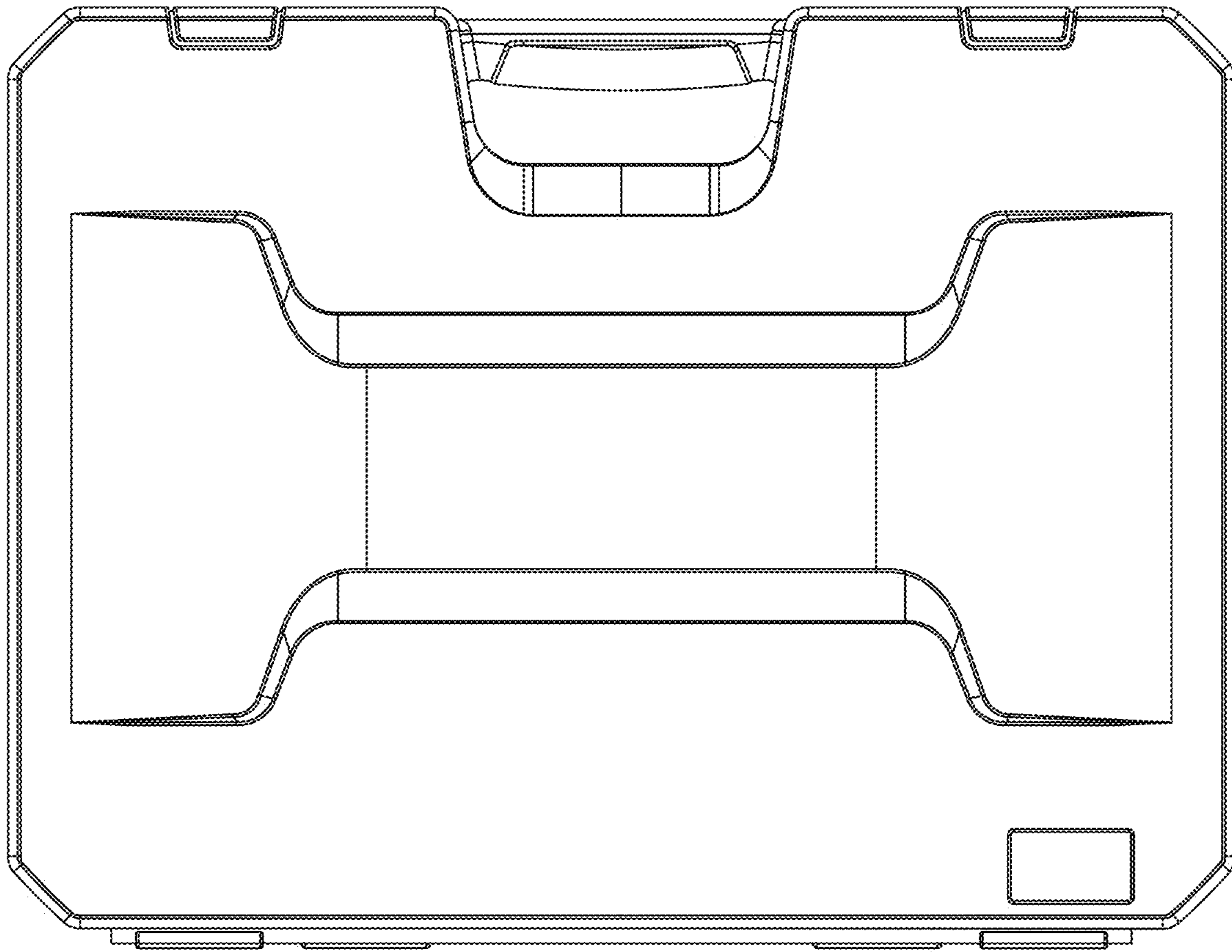


Fig. 3

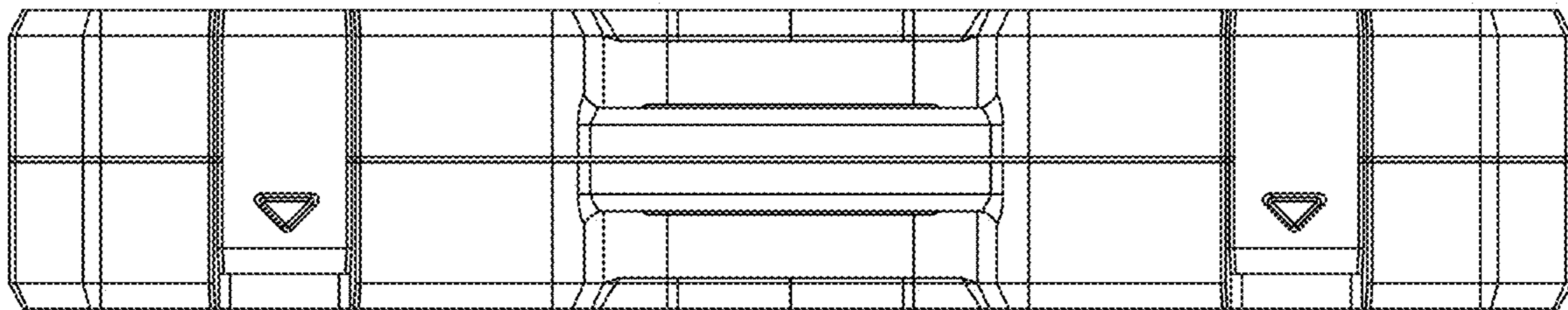


Fig. 4

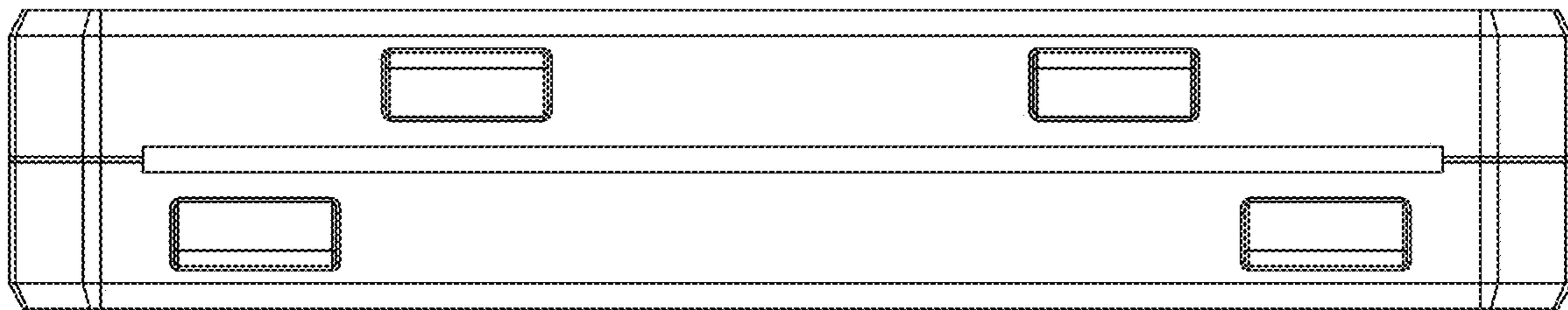


Fig. 5

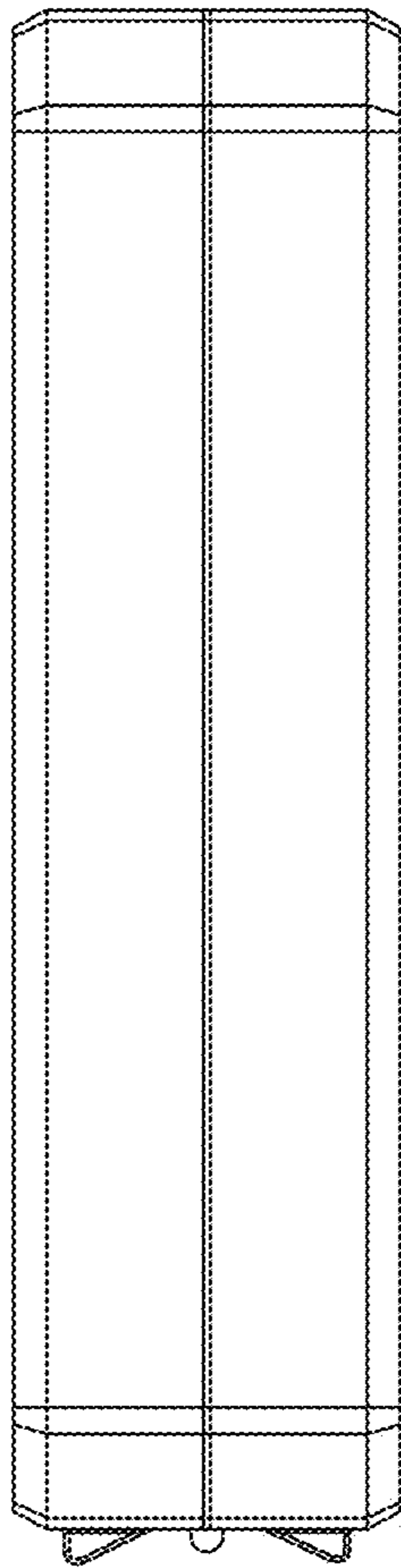


Fig. 6

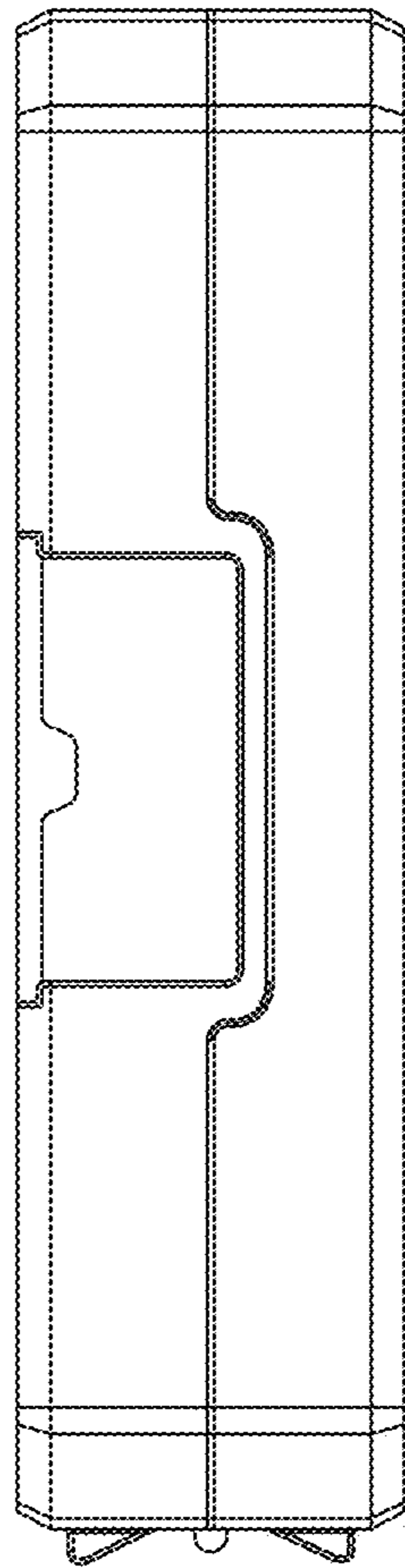


Fig. 7

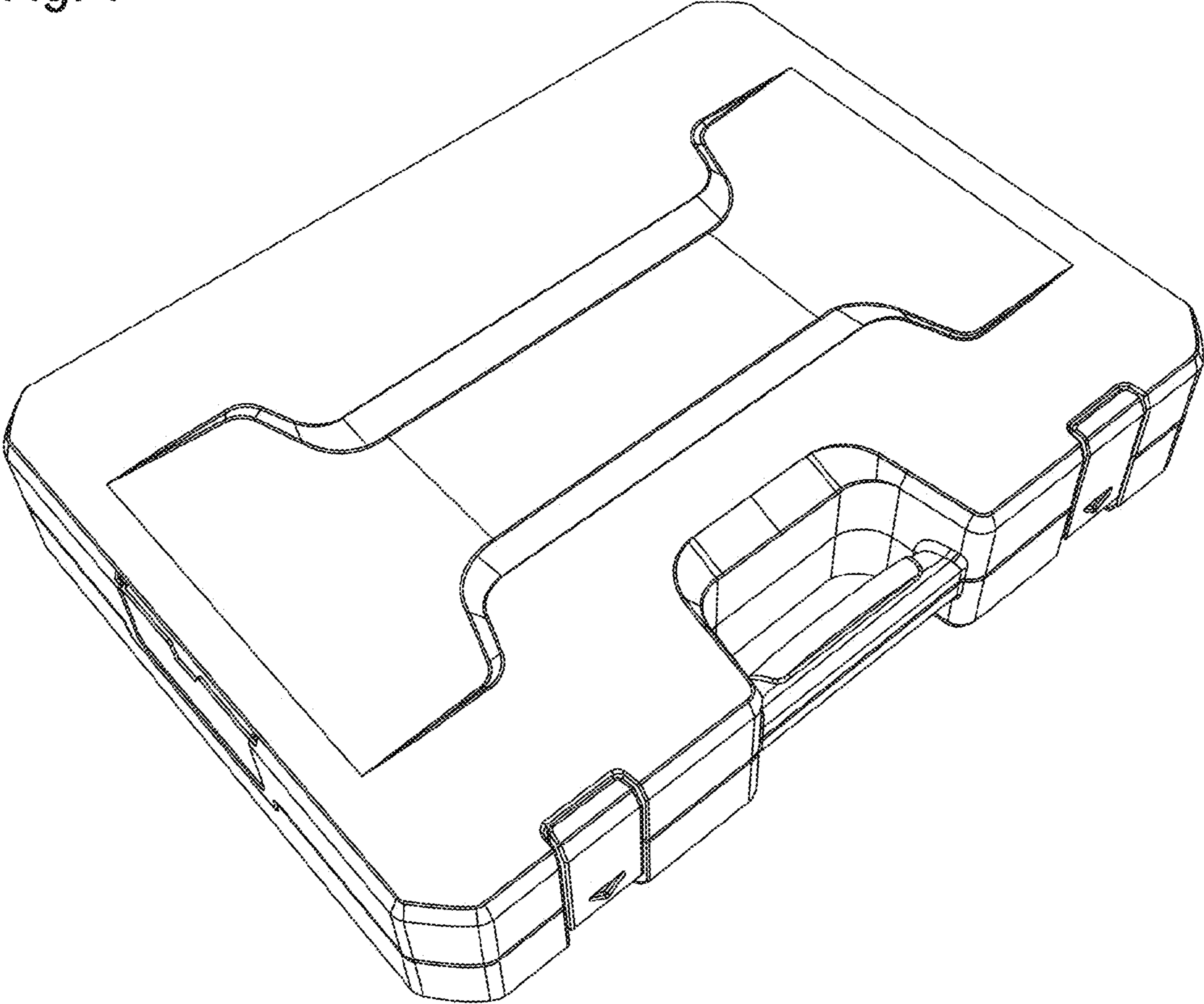


Fig. 8

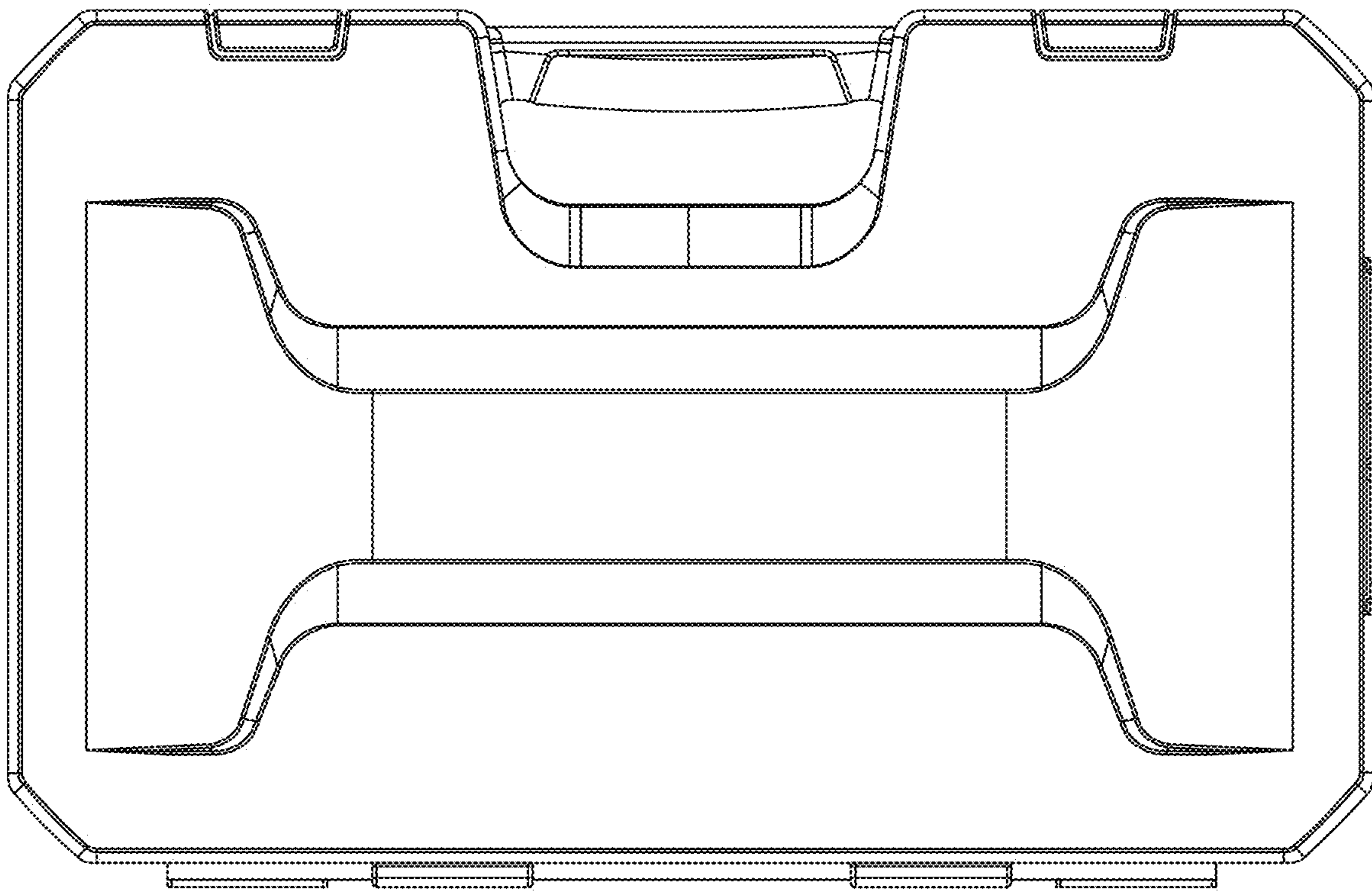


Fig. 9

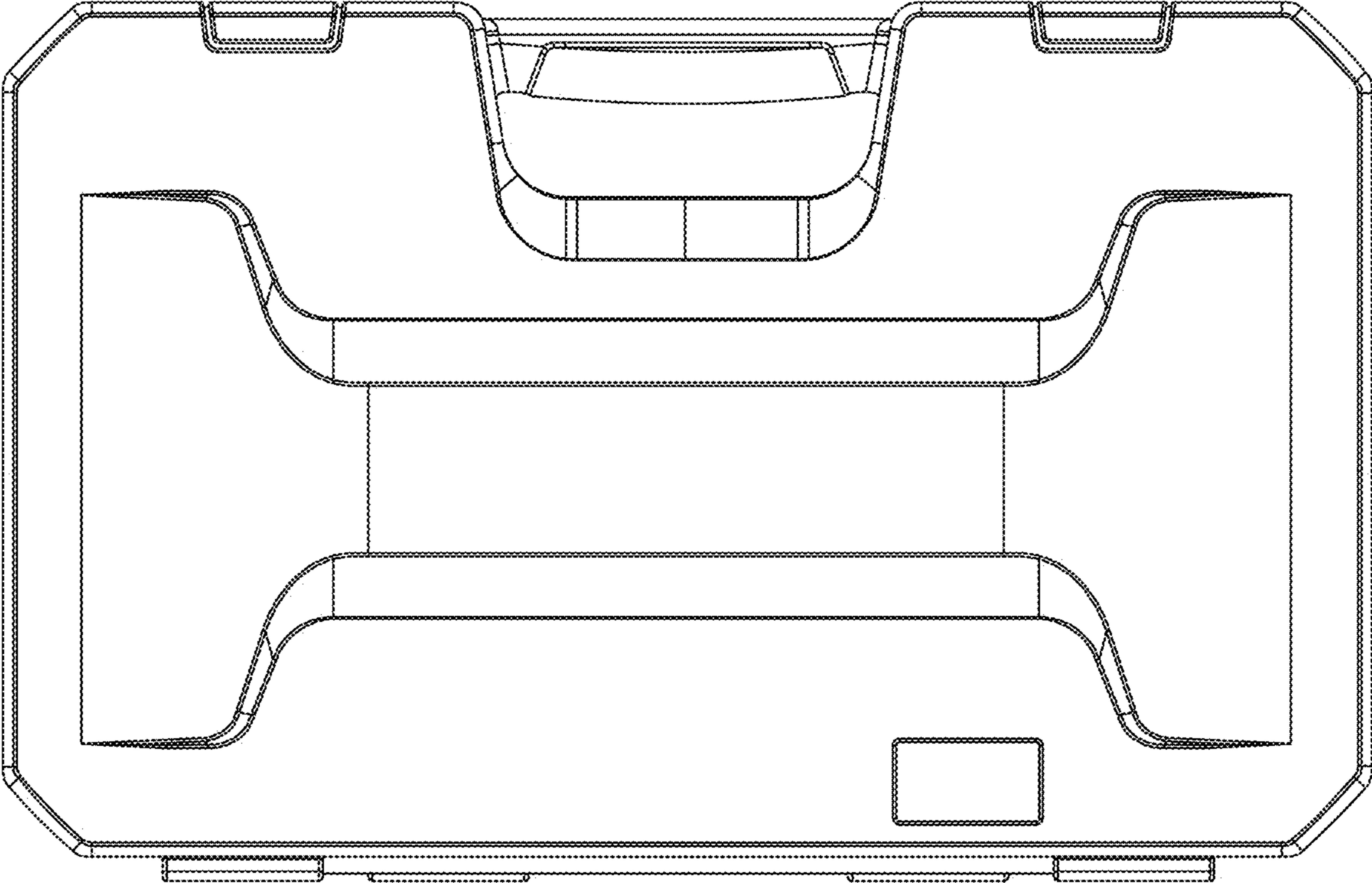


Fig. 10

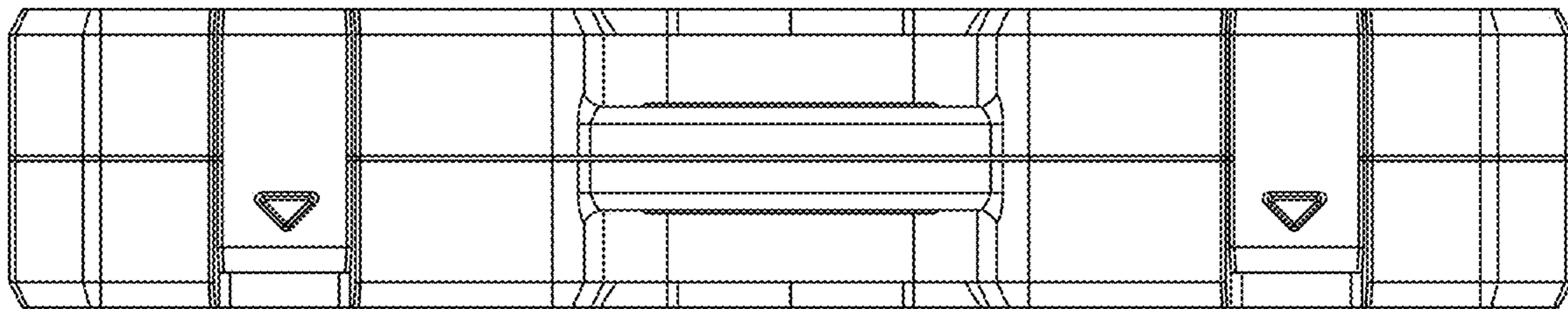


Fig. 11

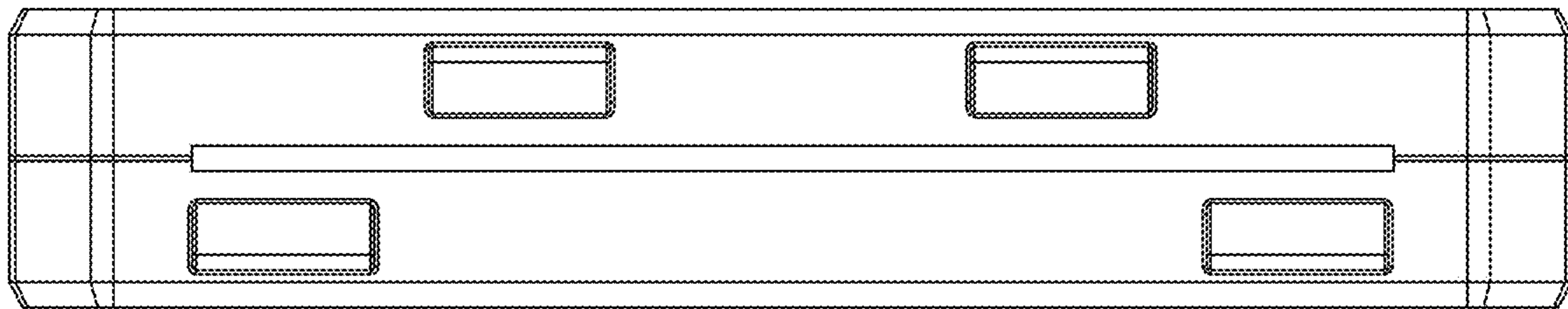


Fig. 12

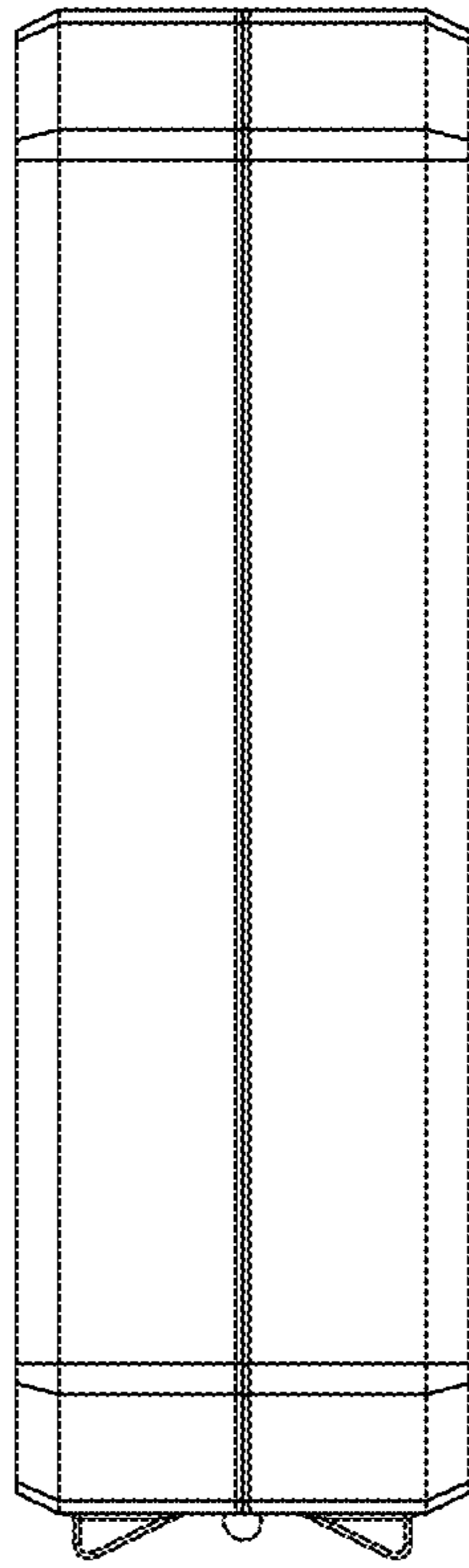


Fig. 13

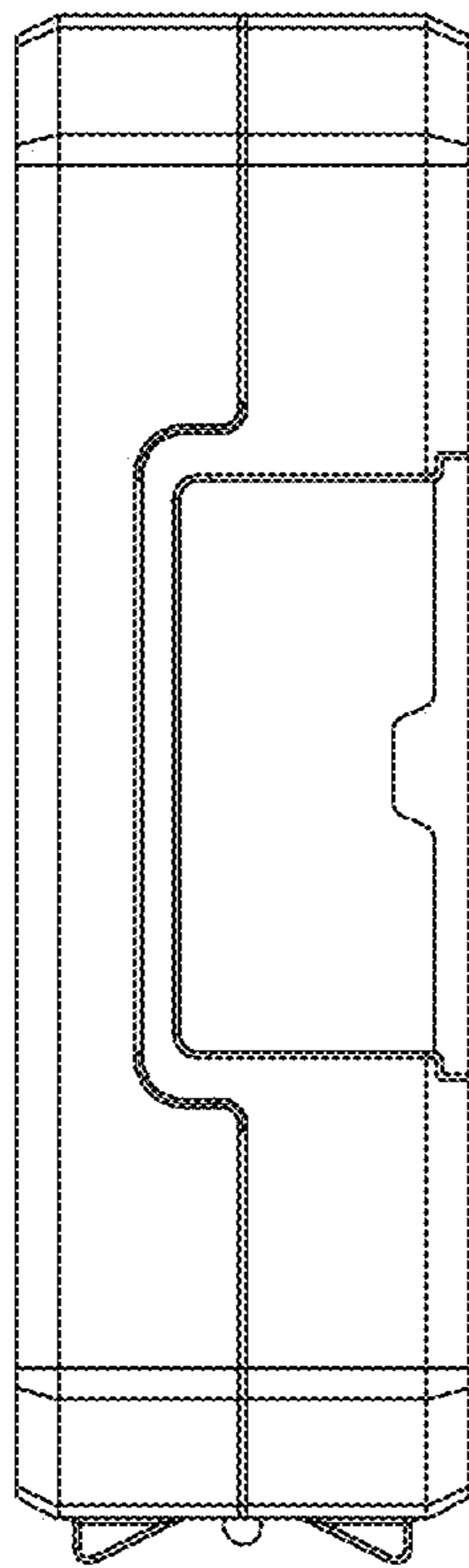


Fig. 14

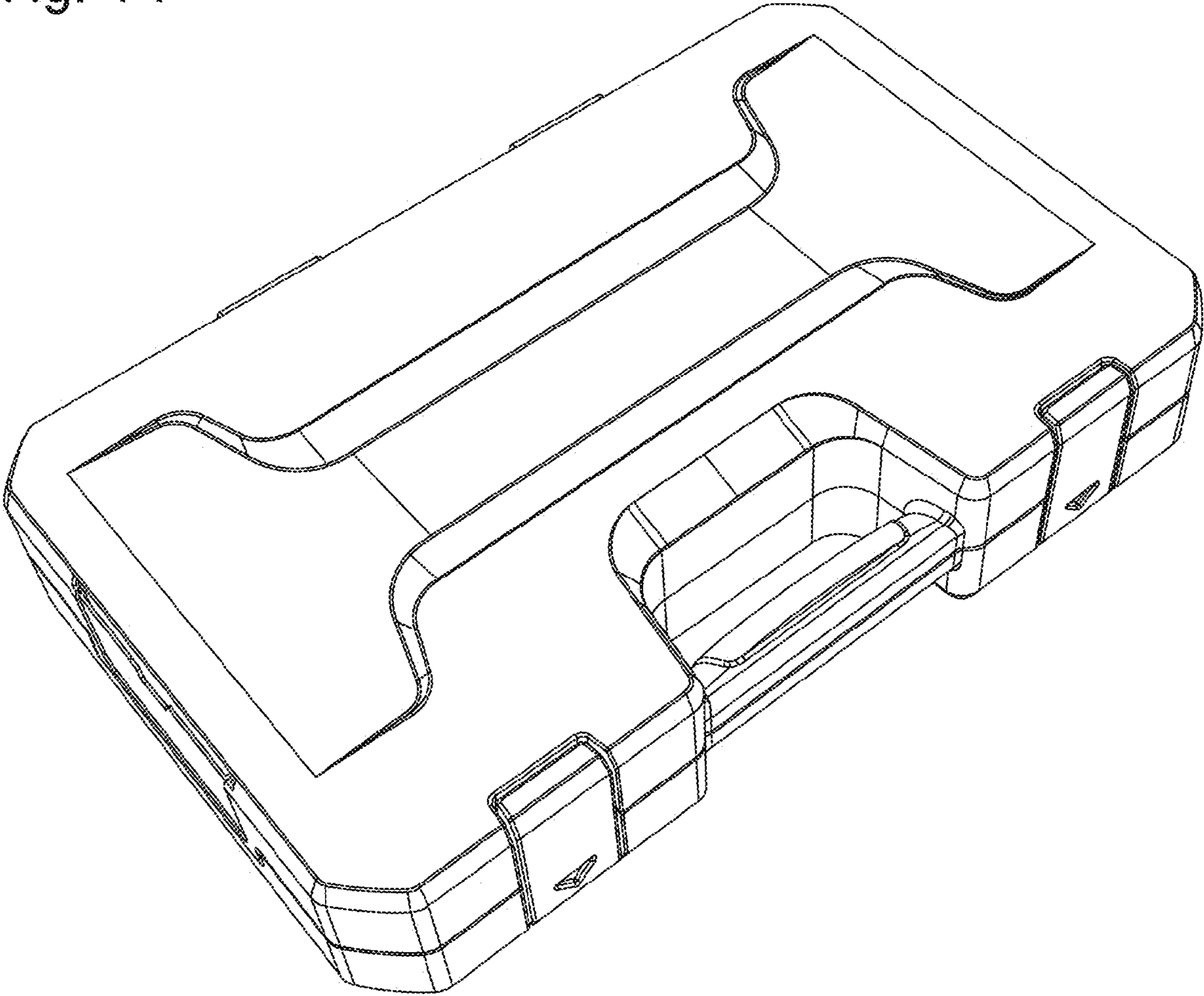


Fig. 15

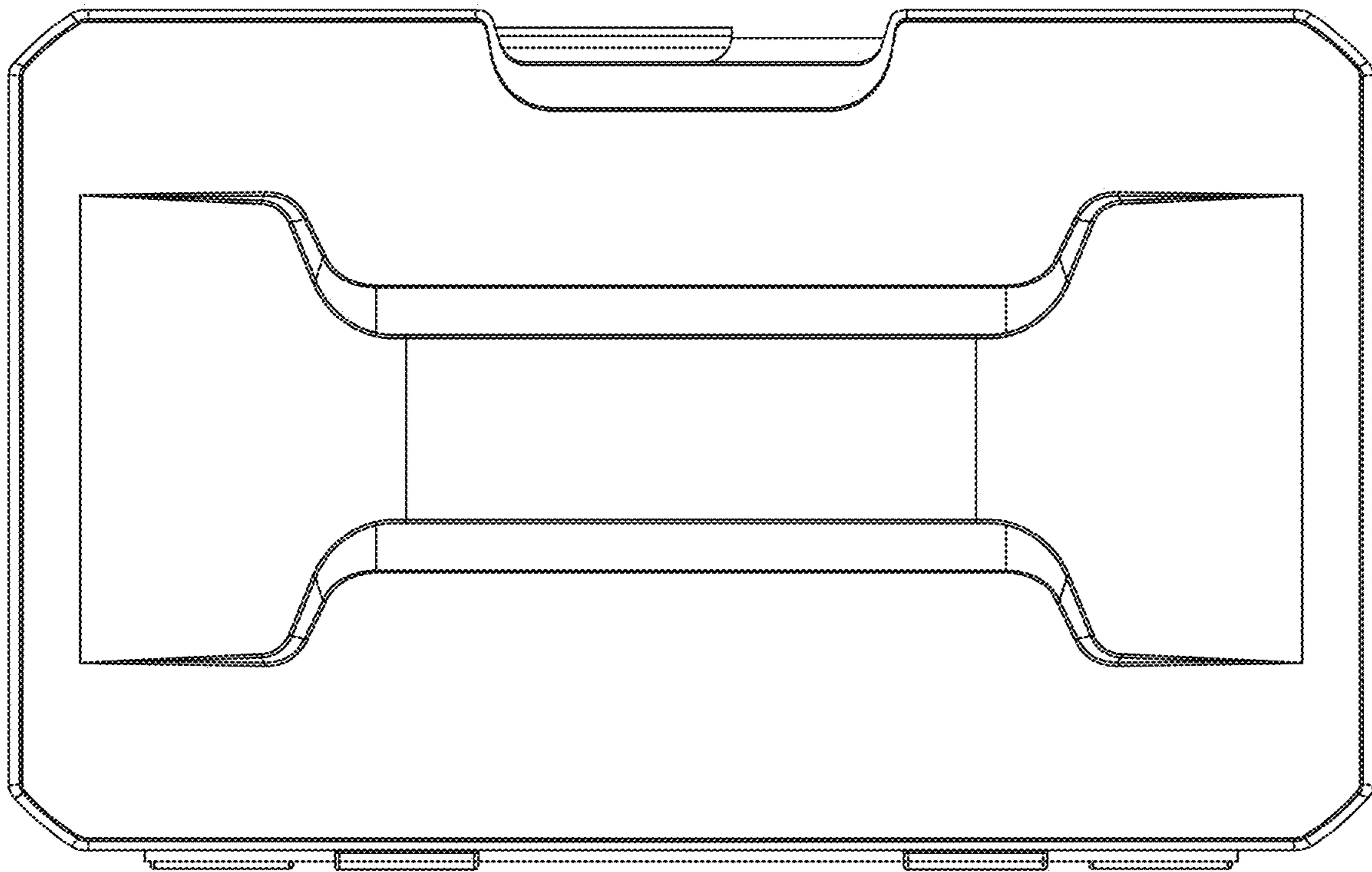


Fig. 16

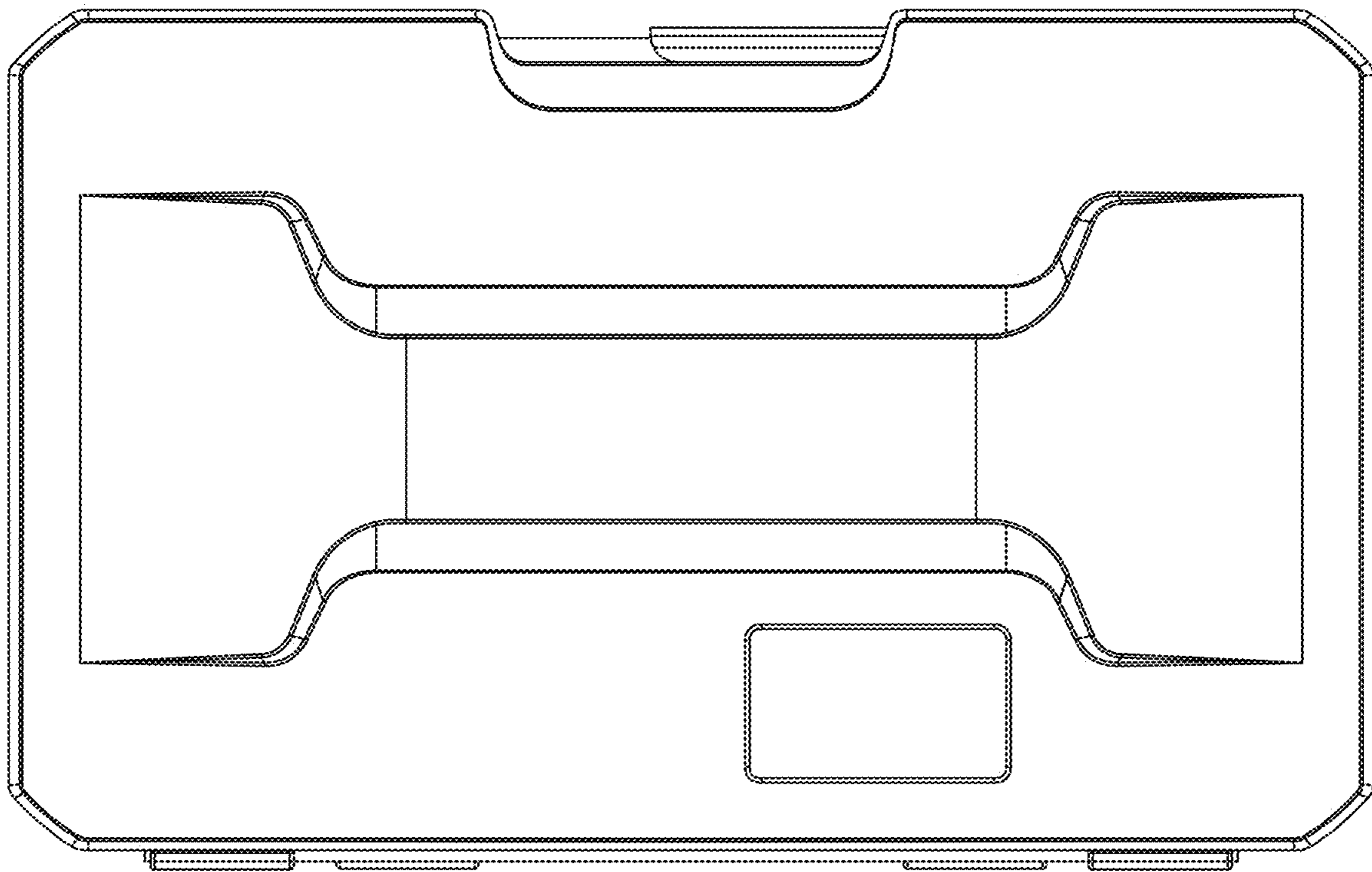


Fig. 17

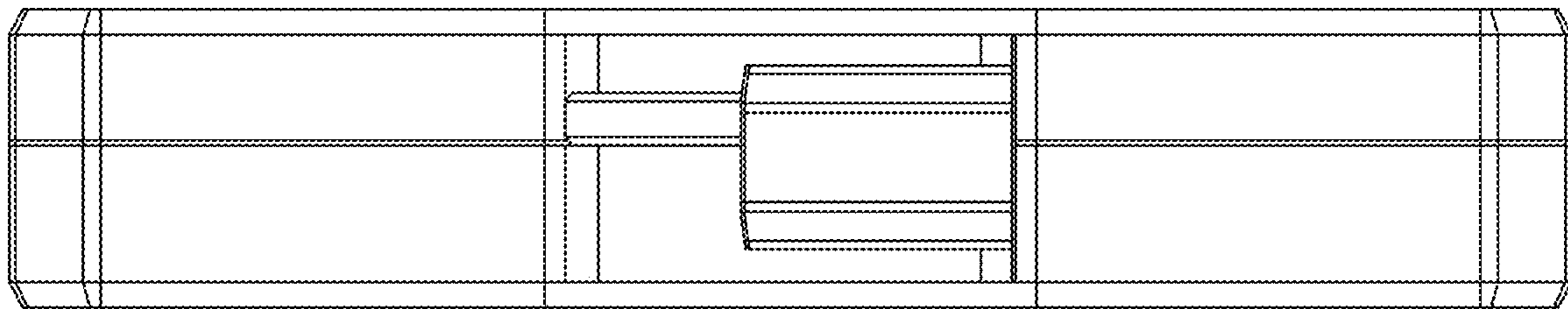


Fig. 18

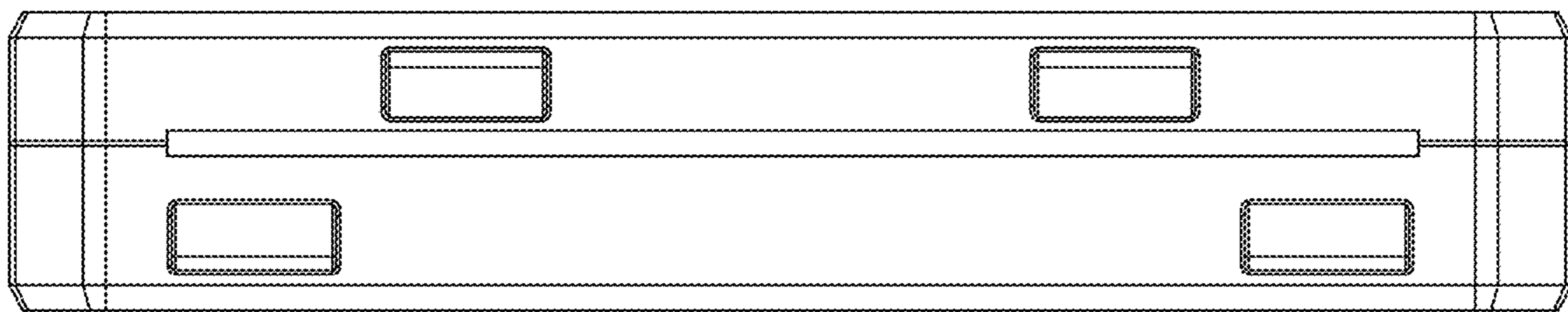


Fig. 19

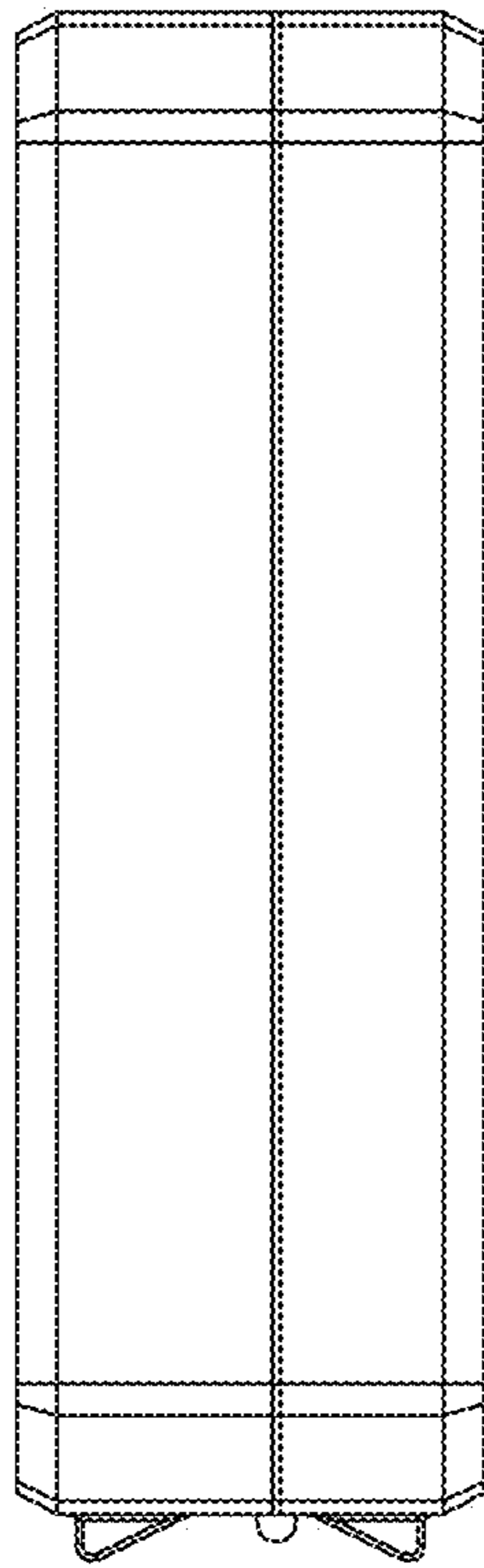


Fig. 20

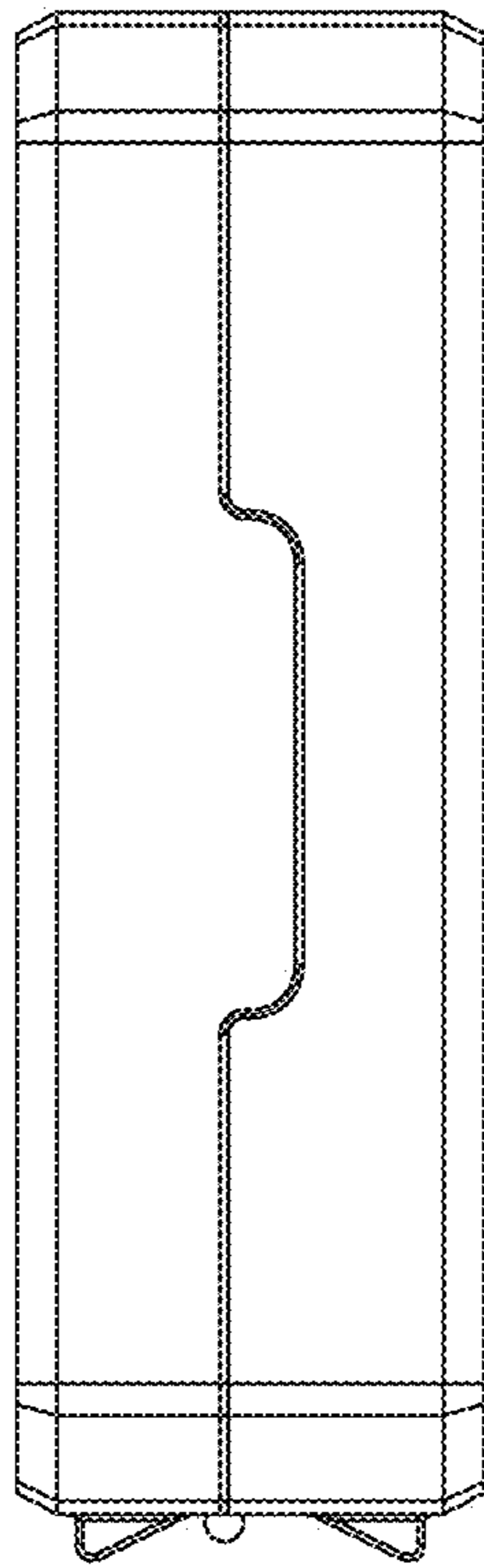


Fig. 21

