

US00D924562S

(12) **United States Design Patent** (10) **Patent No.:** **US D924,562 S**
Miller (45) **Date of Patent:** **** Jul. 13, 2021**

(54) **GOLF CLUB CARRYING SYSTEM**

(71) Applicant: **James R. Miller**, Hayden, ID (US)

(72) Inventor: **James R. Miller**, Hayden, ID (US)

(**) Term: **15 Years**

(21) Appl. No.: **29/711,572**

(22) Filed: **Oct. 31, 2019**

(51) **LOC (13) Cl.** **03-01**

(52) **U.S. Cl.**

USPC **D3/259; D3/255; D3/904**

(58) **Field of Classification Search**

USPC **D3/254, 255, 259, 260, 269, 273, 276,**

D3/279, 281, 288-290, 315, 316, 318,

D3/328, 328.1, 904; D21/789, 796

CPC **B62B 2202/406; A45C 5/14; A45C**

2003/007; A47F 7/00; A47F 7/0021;

A63B 2055/002; A63B 2055/402; A63B

2055/403; A63B 55/00; A63B 55/005;

A63B 55/008; A63B 55/02; A63B 55/04;

A63B 55/08; A63B 55/10; A63B 55/20;

A63B 55/40; A63B 55/53; A63B 55/57;

A63B 55/60; A63B 55/61; A63B 55/404;

A63B 55/406; A63B 55/408

See application file for complete search history.

(56) **References Cited**

U.S. PATENT DOCUMENTS

1,404,893 A 1/1922 Robertson

1,418,093 A 5/1922 Parmater

1,575,023 A 3/1926 Walton

1,761,088 A 6/1930 Pryde

2,024,484 A 12/1935 Smith

2,367,234 A 1/1945 Mitchell

(Continued)

FOREIGN PATENT DOCUMENTS

EM u001813387-0001 * 2/2011

KR 300225494.0000 * 8/1998

OTHER PUBLICATIONS

ProActive Club Frame Club Carrier, first available Aug. 7, 2010, amazon.com [online], [site visited Mar. 8, 2021], Available at internet URL: <https://www.amazon.com/ProActive-Club-Frame-Carrier/dp/B0049TUEAE?tag=moniter0d-20> (Year: 2010).*

(Continued)

Primary Examiner — Jeffrey D Asch

Assistant Examiner — Caitlin Ann Laverty

(74) *Attorney, Agent, or Firm* — Clark A. Puntigam;

Jensen & Puntigam P.S.

(57) **CLAIM**

I claim the ornamental design for a golf club carrying system, as shown and described.

DESCRIPTION

FIG. 1 is a front perspective view of a first embodiment of the golf club carrying system showing my new design.

FIG. 2 is a rear perspective view thereof.

FIG. 3 is a front view thereof.

FIG. 4 is a rear view thereof.

FIG. 5 is a left side view thereof.

FIG. 6 is a right side view thereof.

FIG. 7 is a top view thereof.

FIG. 8 is a bottom view thereof.

FIG. 9 is a front perspective view of a second embodiment of the golf club carrying system showing my new design.

FIG. 10 is a rear perspective view thereof.

FIG. 11 is a front view thereof.

FIG. 12 is a rear view thereof.

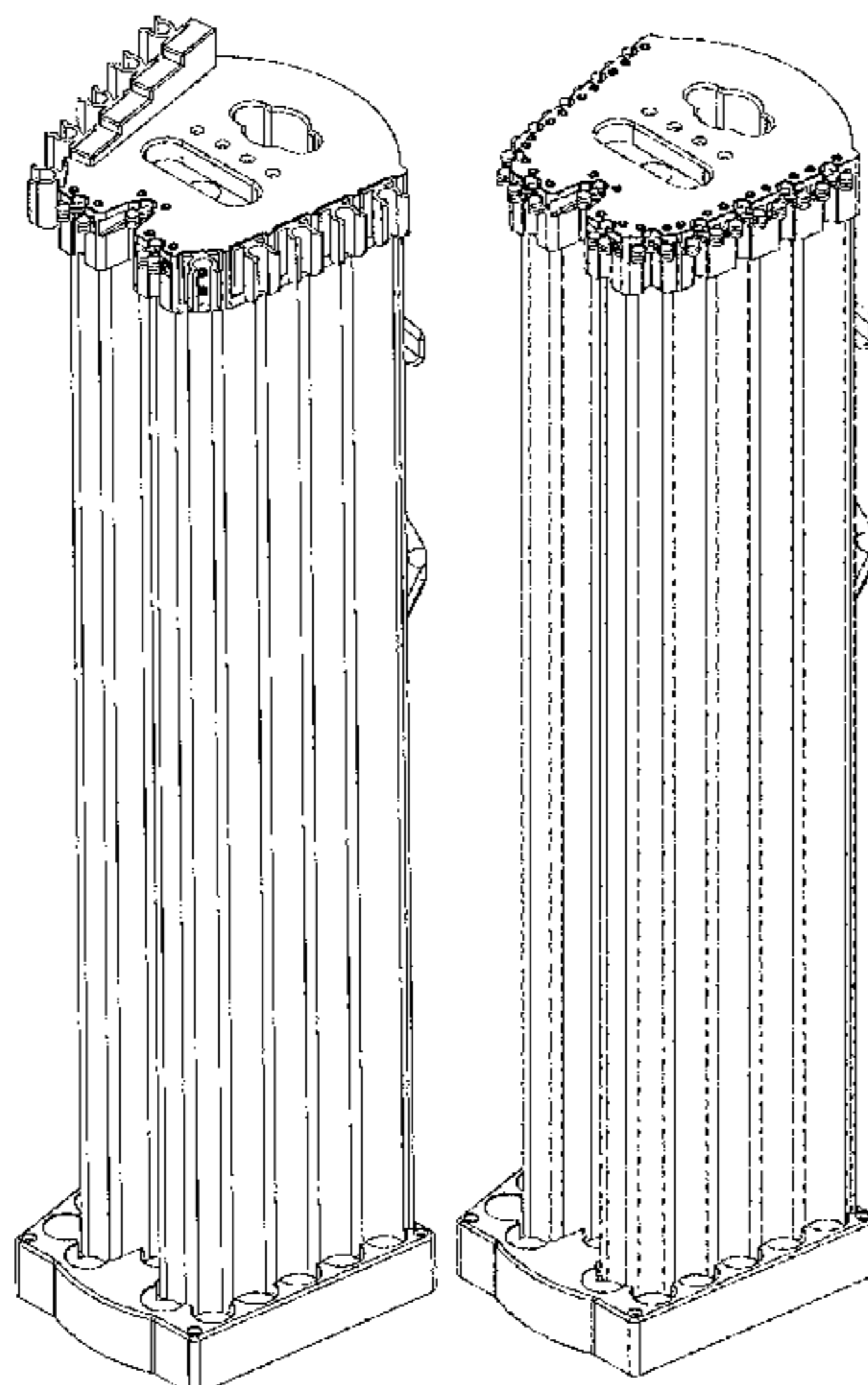
FIG. 13 is a left side view thereof.

FIG. 14 is a right side view thereof.

FIG. 15 is a top view thereof; and,

FIG. 16 is a bottom view thereof.

1 Claim, 14 Drawing Sheets



(56)

References Cited

U.S. PATENT DOCUMENTS

2,419,175 A * 4/1947 Spohrer A63B 55/10
211/70.2
2,520,226 A * 8/1950 Smith B62B 1/04
280/652
2,533,541 A * 12/1950 Warring B62B 1/262
280/47.19
2,621,799 A * 12/1952 Wilson A63B 55/60
211/70.2
D186,715 S * 11/1959 Sasaki D34/27
3,154,314 A * 10/1964 McCune, Jr. B62B 1/262
280/47.19
3,531,136 A * 9/1970 Mobley A63B 55/60
280/30
D222,720 S * 12/1971 Lapham D3/259
4,421,240 A * 12/1983 Connolly A63B 55/10
211/70.2
D272,481 S * 1/1984 Balling D34/15
4,673,082 A 6/1987 Hemme
D324,541 S * 3/1992 Dudley D19/105
5,366,075 A * 11/1994 Mills A63B 55/40
206/315.6
5,383,555 A * 1/1995 Weinmeier A63B 55/408
206/315.3
5,417,334 A 5/1995 Wu
5,669,514 A * 9/1997 Massetti A63B 55/10
211/70.2
5,730,285 A * 3/1998 Sheehan A63B 55/50
206/315.3
5,738,229 A * 4/1998 Fairweather A47F 7/0028
211/70.2
5,842,564 A 12/1998 Clement
6,032,999 A * 3/2000 York A63B 57/207
294/143
6,352,154 B1 3/2002 Miura
6,607,077 B2 * 8/2003 Feeney A63B 55/40
206/315.7

6,615,982 B1 9/2003 Stewart et al.
D481,538 S * 11/2003 Filser B62B 1/262
D3/255
D523,512 S * 6/2006 Rydzynski D21/796
7,124,886 B2 10/2006 Heidenreich
D653,034 S * 1/2012 Ferreira-Godinho D3/320
9,233,285 B2 1/2016 Masse
10,159,877 B2 * 12/2018 Weinmeier A63B 55/40
10,542,738 B2 * 1/2020 Moses A47B 81/005
2006/0163893 A1 * 7/2006 Gascoigne A63B 55/40
294/143
2008/0006547 A1 1/2008 Pace
2008/0169210 A1 7/2008 Heidenreich
2008/0190795 A1 8/2008 Shearon
2011/0269564 A1 11/2011 Mitchell et al.
2013/0153615 A1 6/2013 Gibson
2015/0028568 A1 * 1/2015 Tran B62B 3/12
280/641
2016/0303442 A1 * 10/2016 Tran B60K 28/06
2018/0085646 A1 * 3/2018 Weiss A45F 3/02

OTHER PUBLICATIONS

PP-NEST 9 Iron Golf Club Holder Golf Club Organizer, first available Dec. 12, 2019, amazon.com [online], [site visited Mar. 8, 2021], Available at internet URL: <https://www.amazon.com/PP-NEST-Iron-Golf-Holder-Organizer/dp/B082NRZ9K5> (Year: 2019).
Golf Club Organizers and Golf Ball Display Case . . . , first available Sep. 1, 2019, amazon.com [online], [site visited Mar. 8, 2021], Available at internet URL: <https://www.amazon.com/Organizers-Display-Bracket-Organize-Equipment/dp/B07X7SY1DJ> (Year: 2019).
Rangeholder Golf Club Carrier, first available Apr. 25, 2011, amazon.com [online], [site visited Mar. 8, 2021], Available at internet URL: <https://www.amazon.com/rangeholder-drh020-golf-club-carrier/dp/b000quutt60> (Year: 2011).*

* cited by examiner

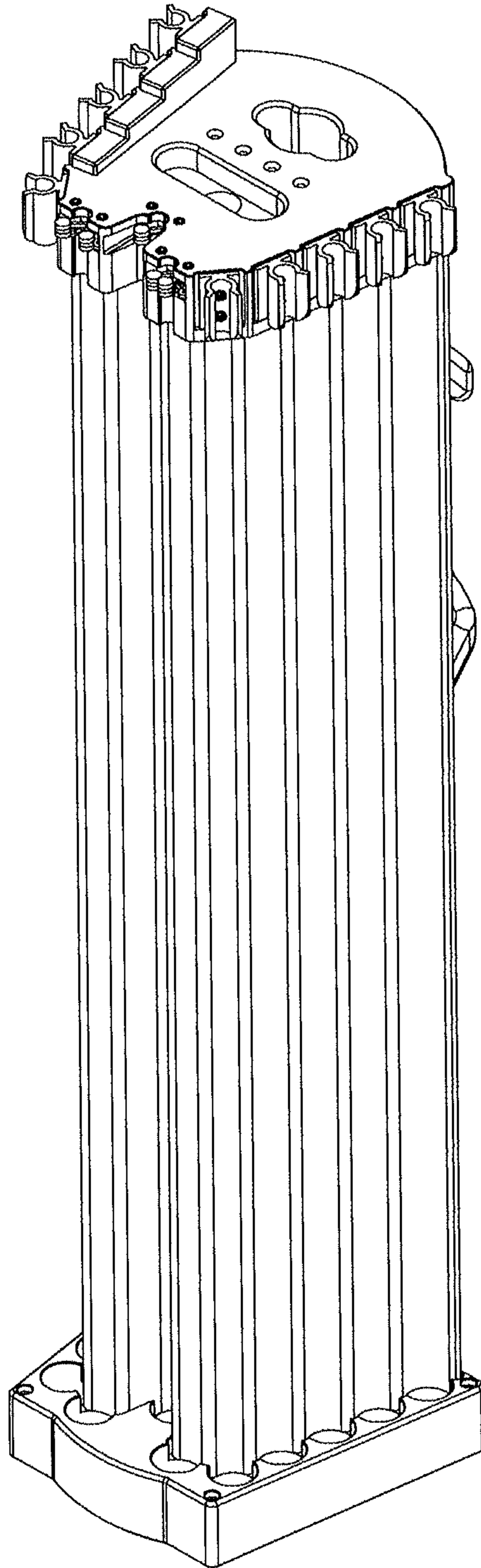


FIG. 1

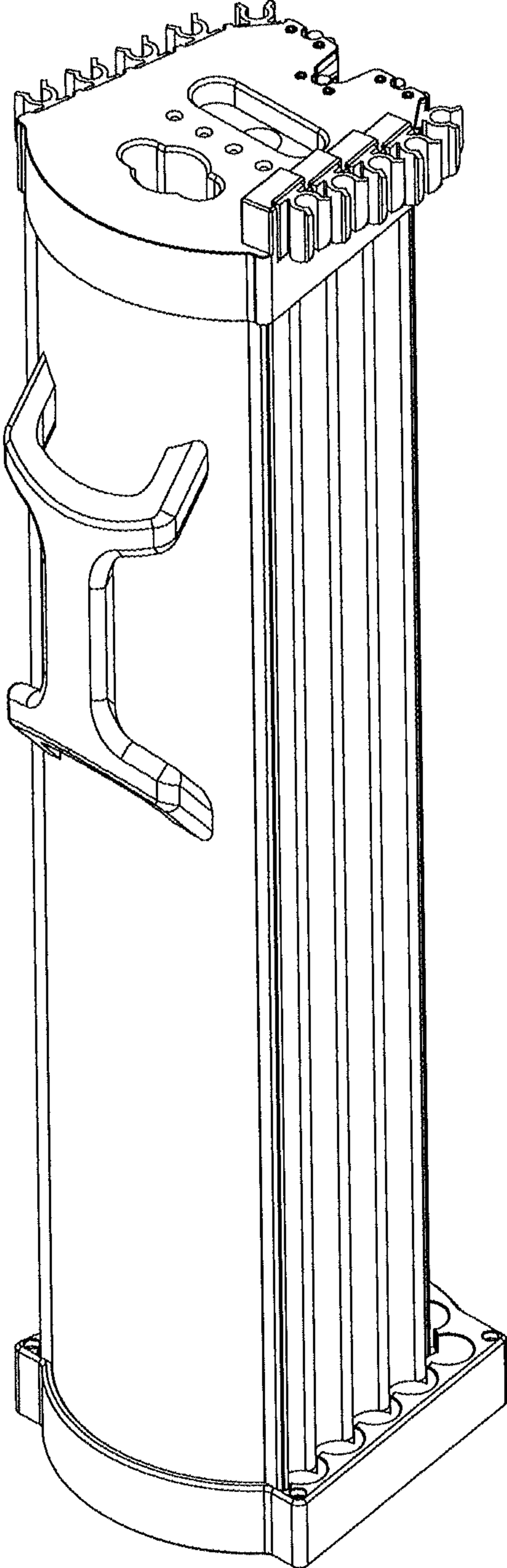


FIG. 2

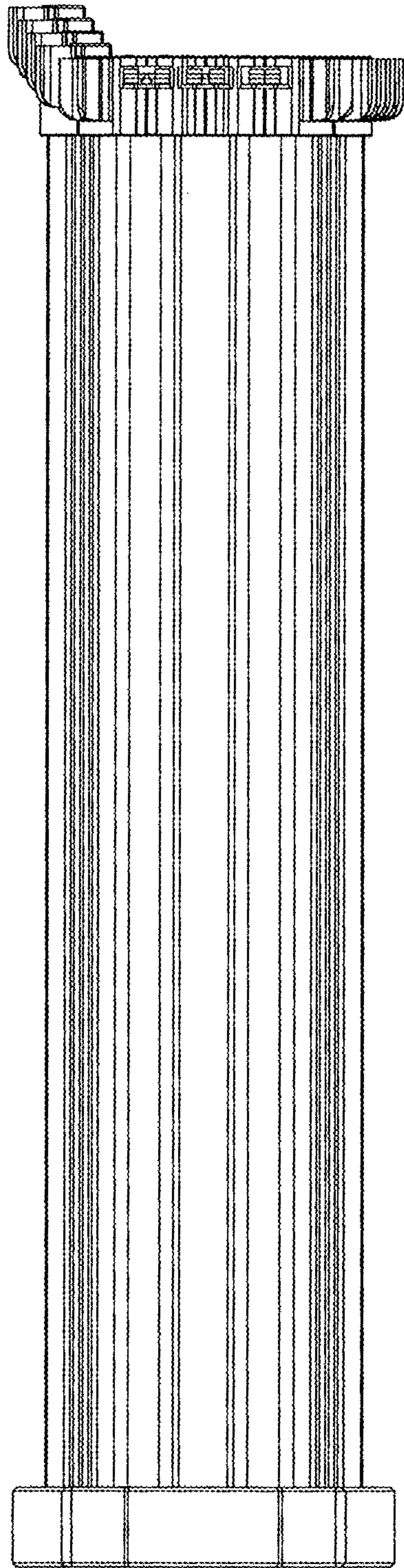


FIG. 3

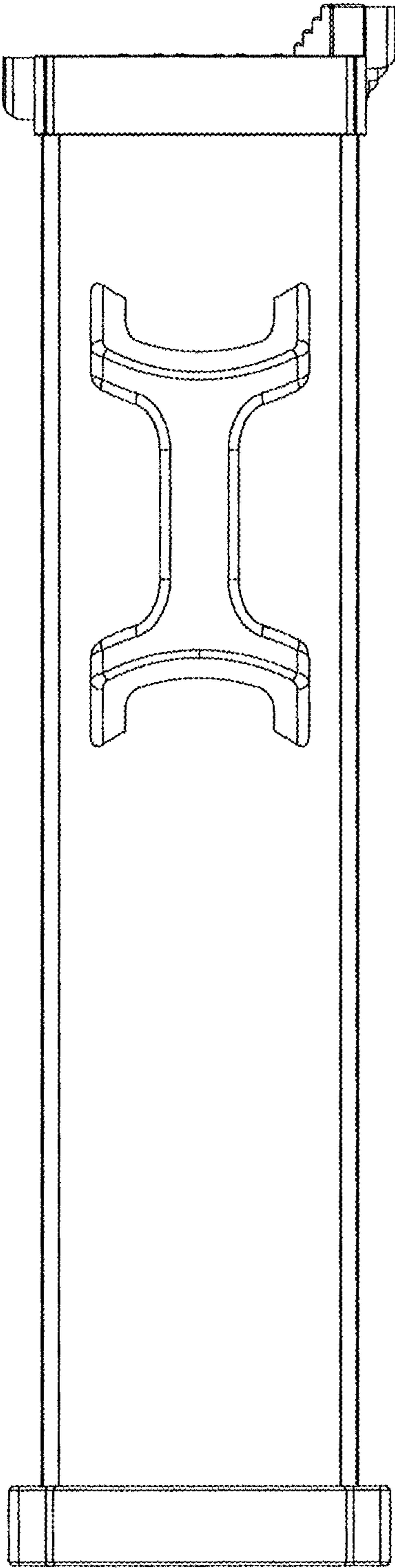


FIG. 4

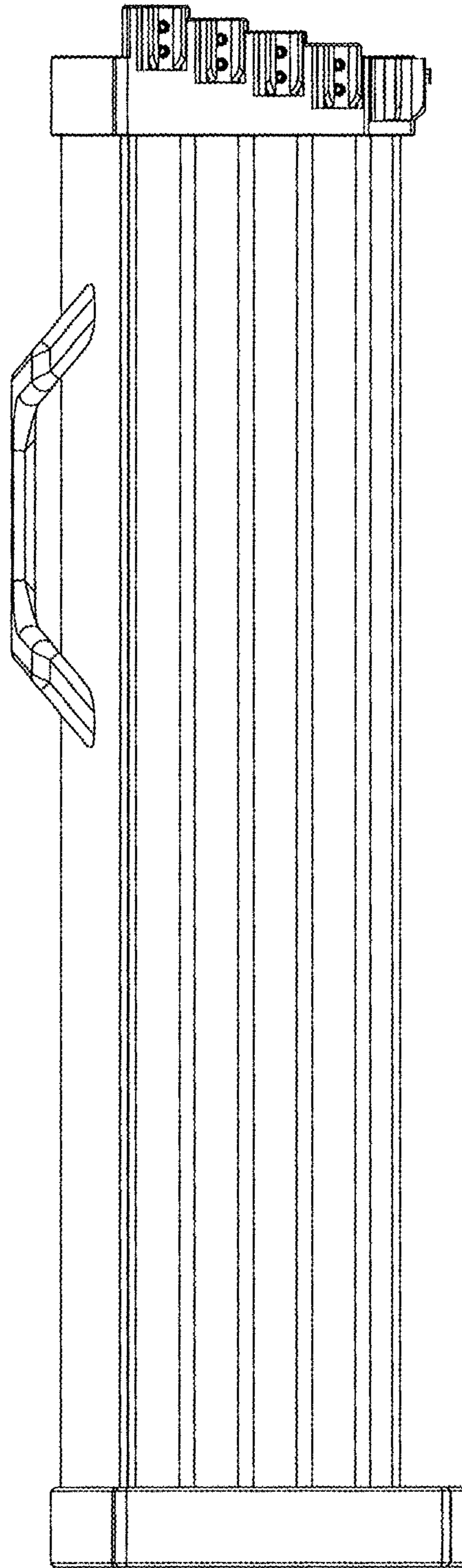


FIG. 5

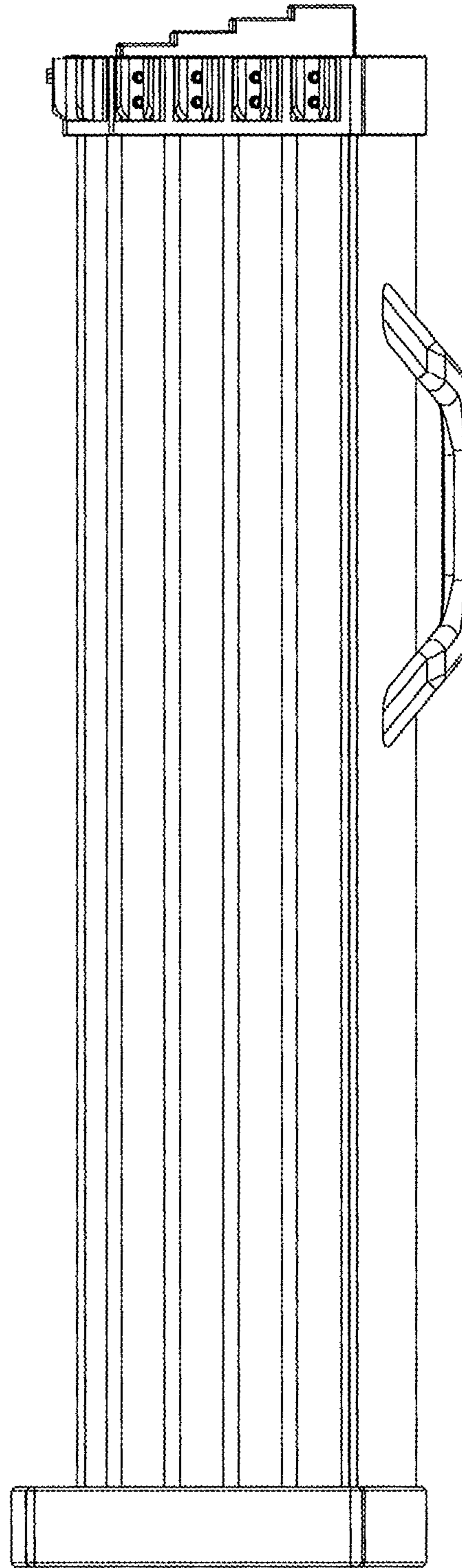


FIG. 6

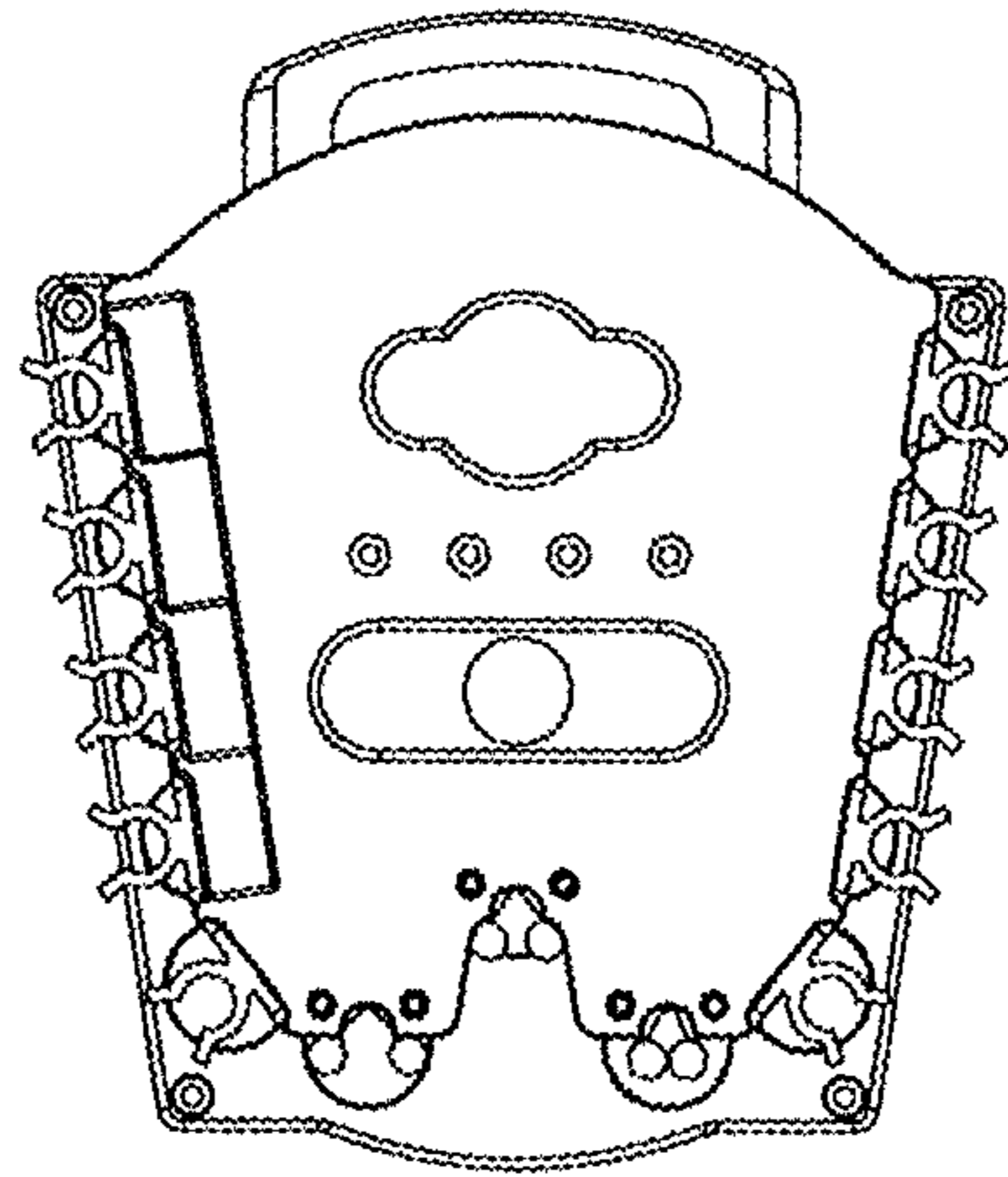


FIG. 7

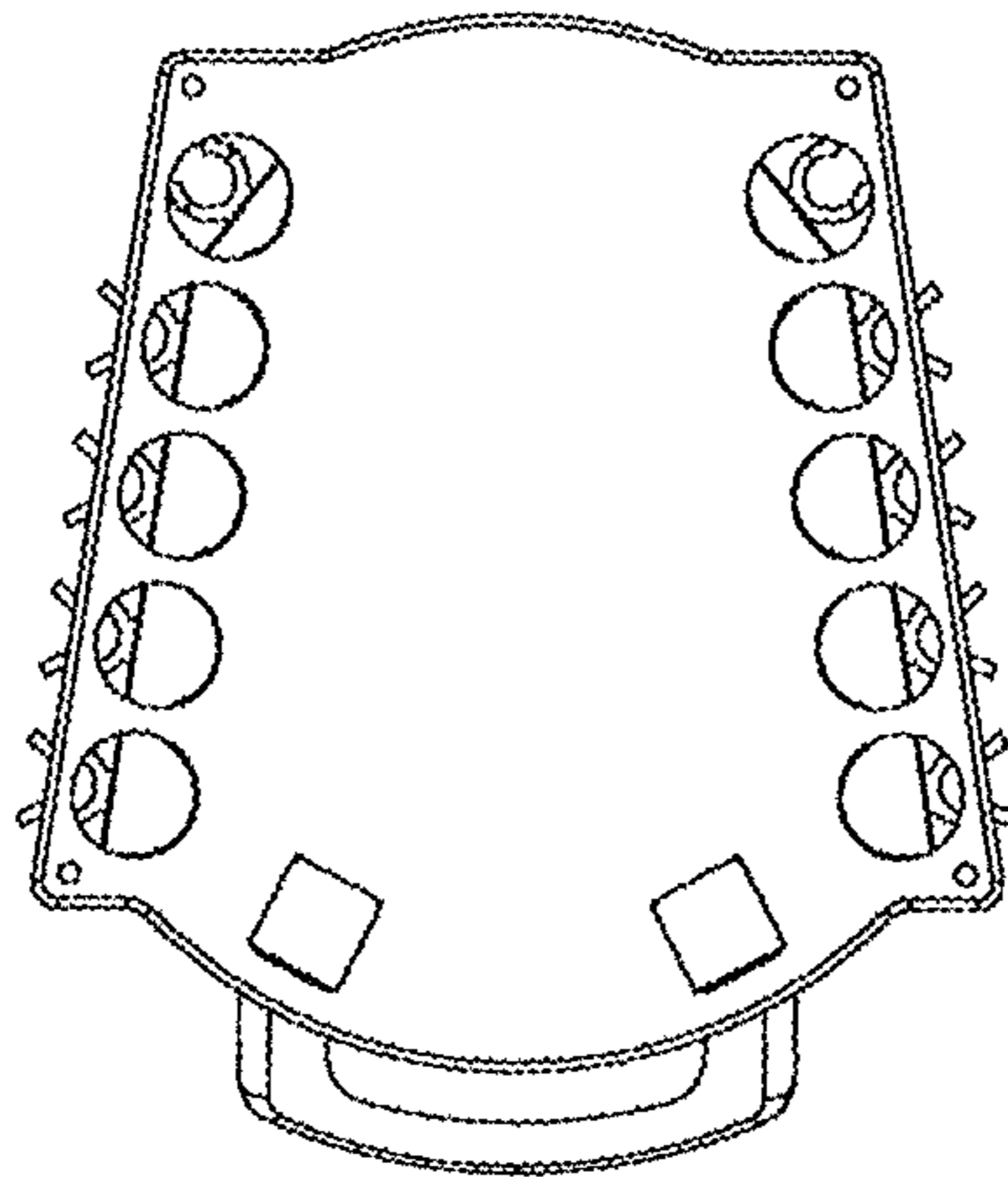


FIG. 8

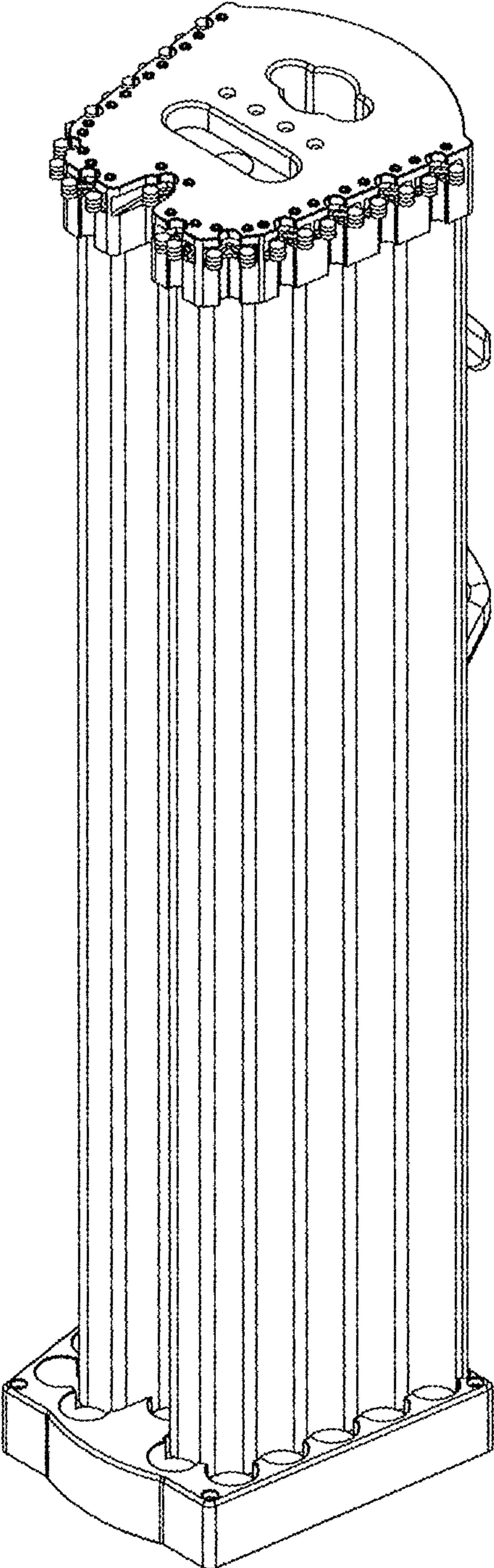


FIG. 9

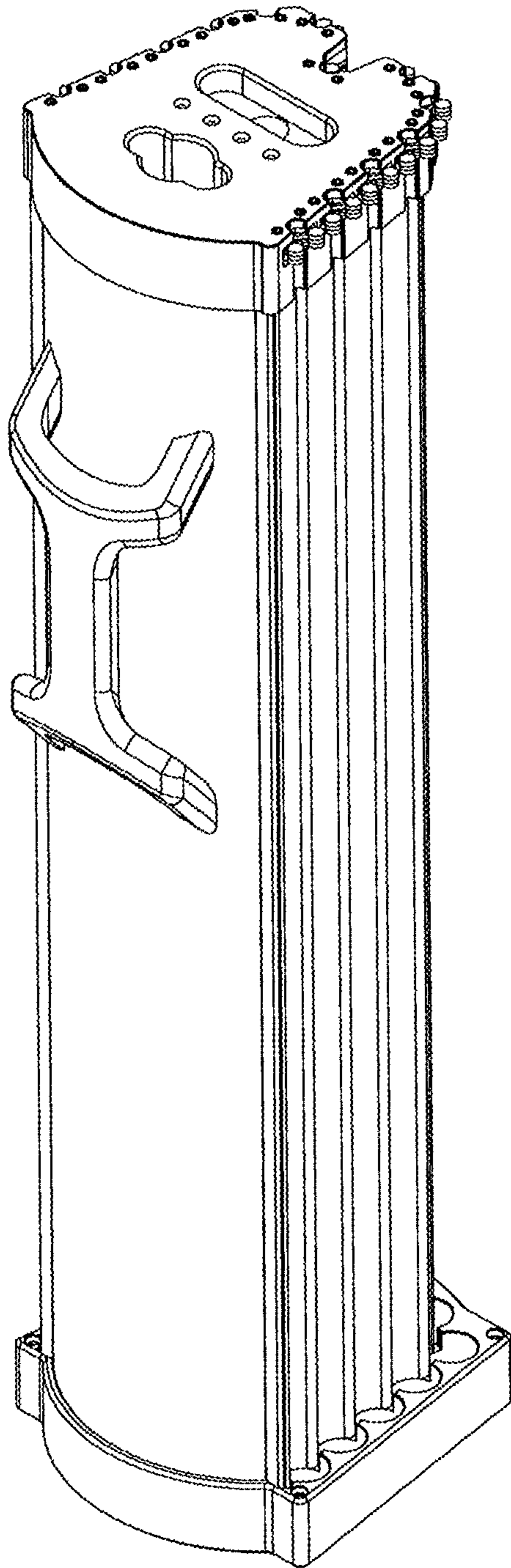


FIG. 10

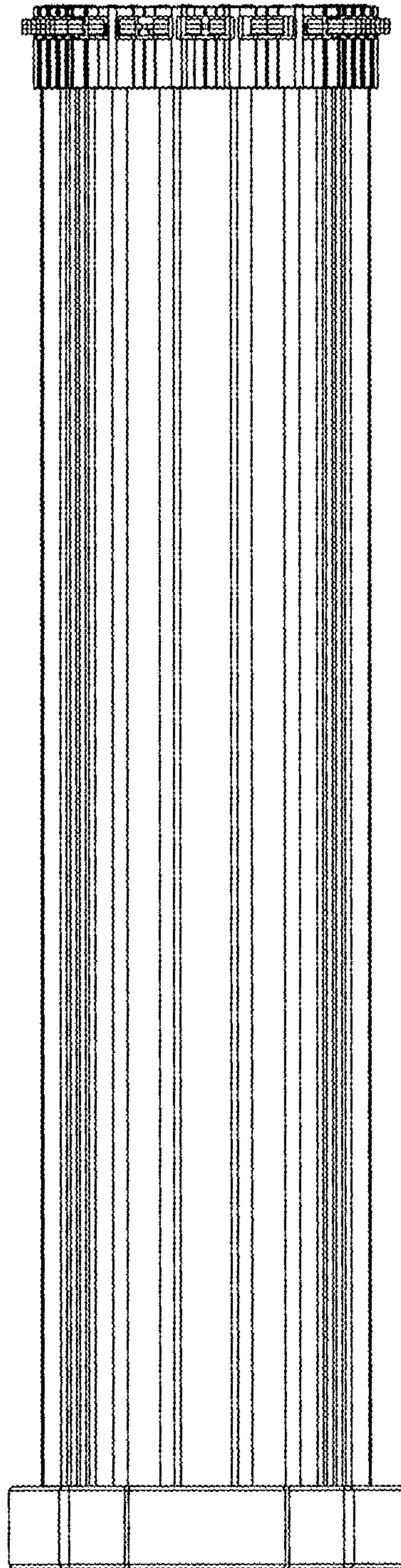


FIG. 11

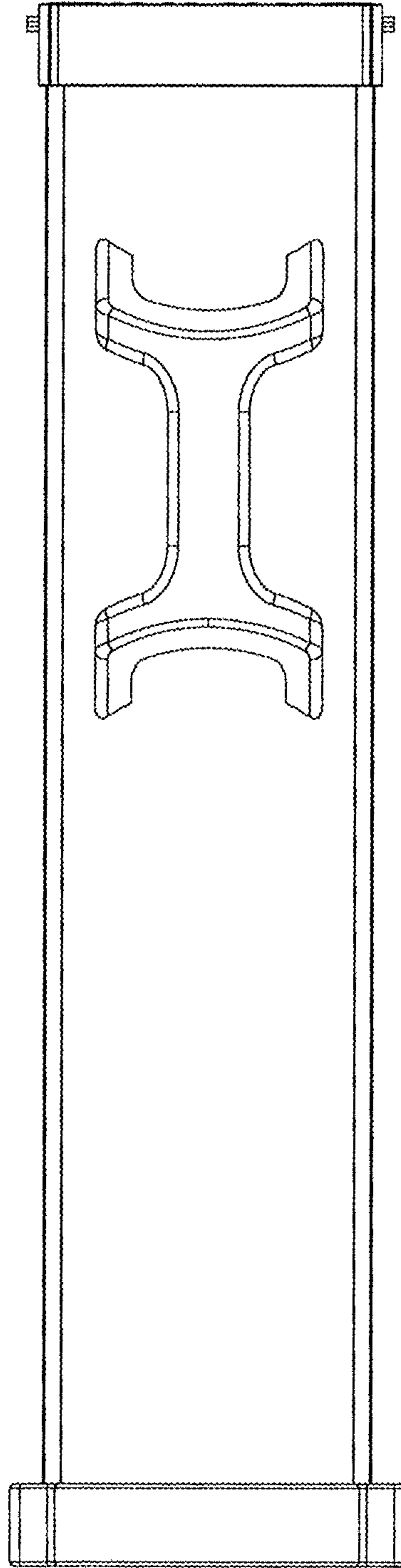


FIG. 12

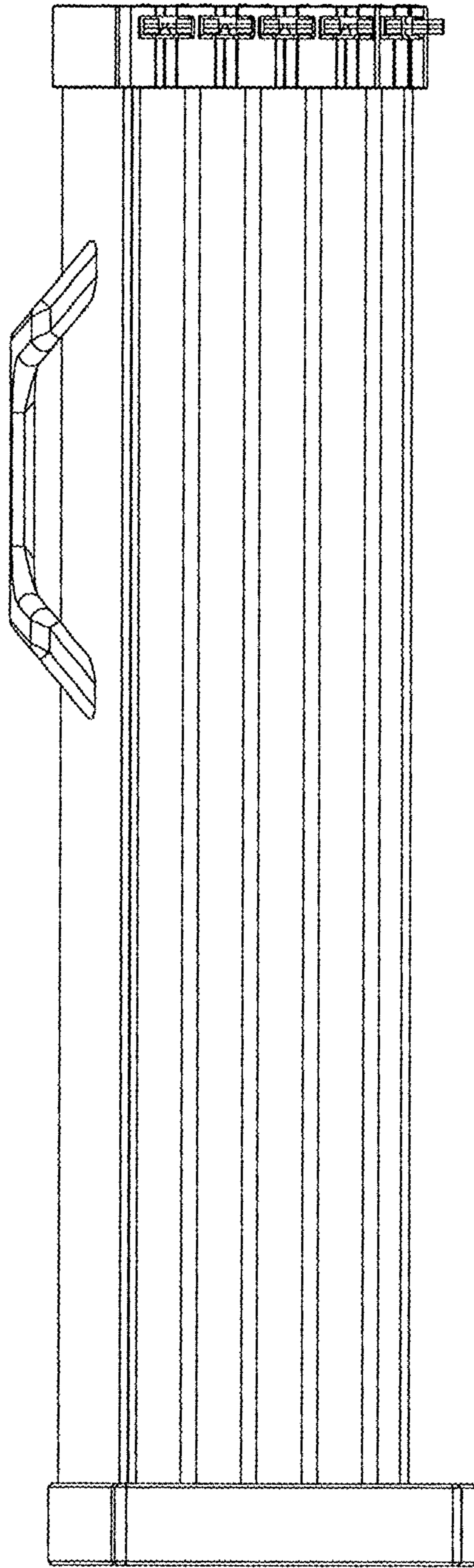


FIG. 13

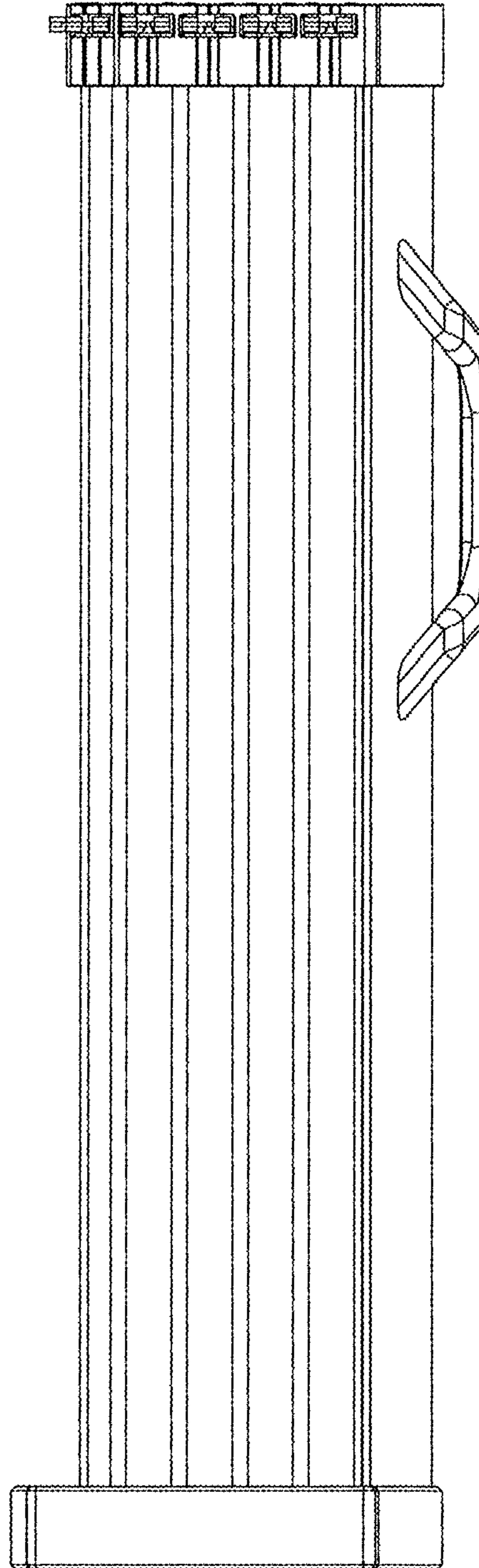


FIG. 14

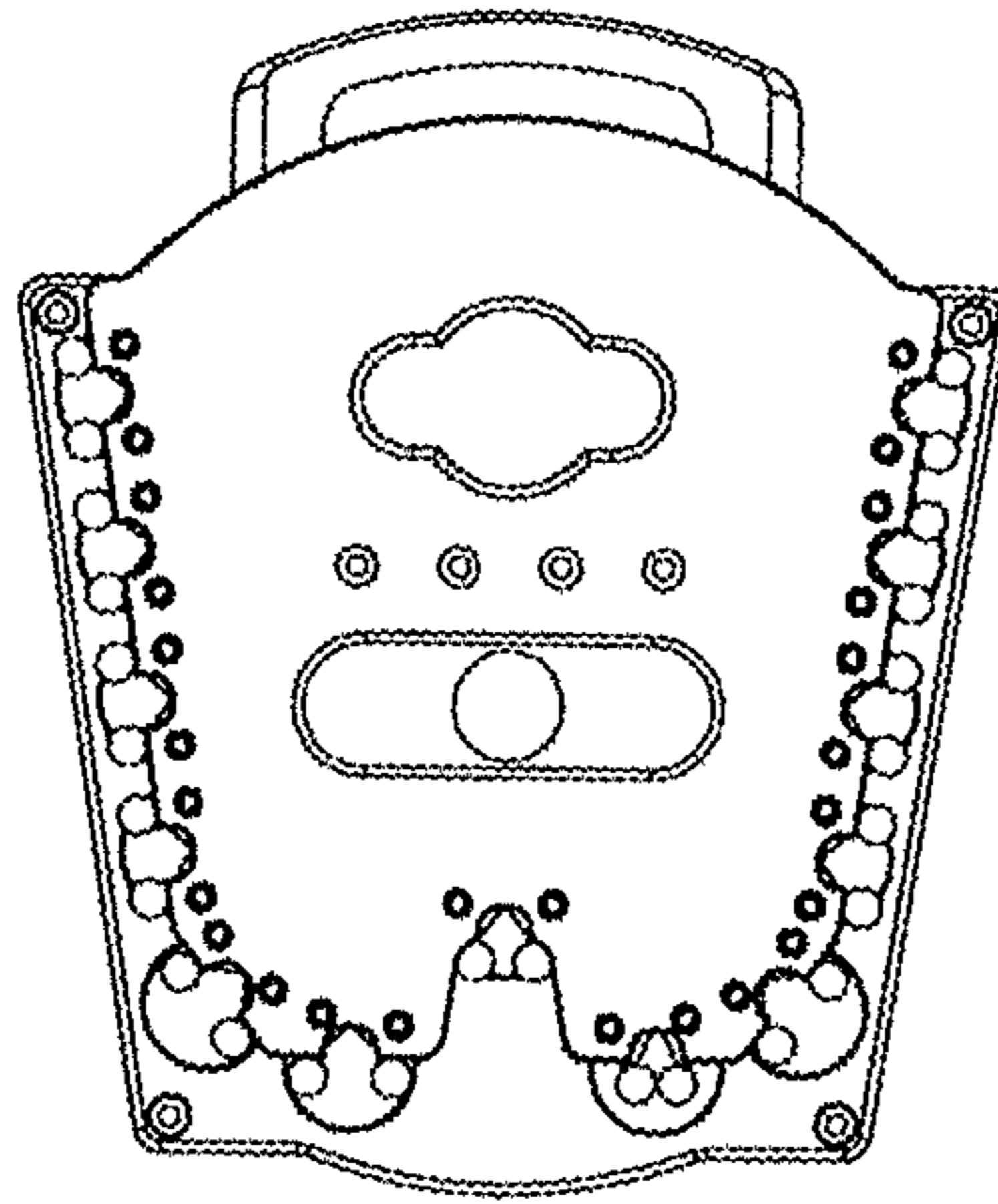


FIG. 15

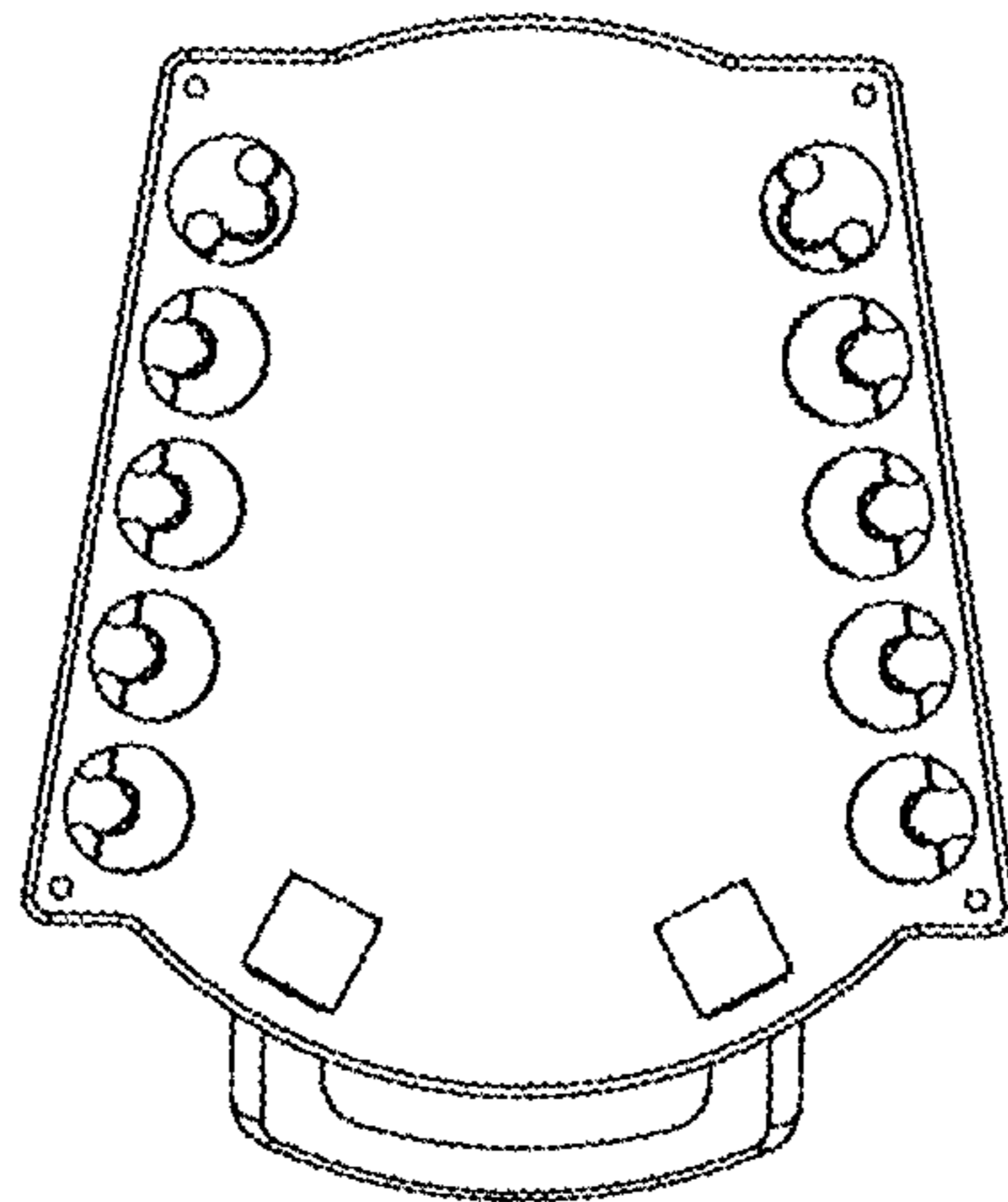


FIG. 16