

US00D924560S

(12) **United States Design Patent**  
**Hyun**

(10) **Patent No.:** **US D924,560 S**

(45) **Date of Patent:** **\*\* Jul. 13, 2021**

(54) **CASE FOR EARPHONES**

(71) Applicant: **SPIGEN KOREA CO., LTD.**, Seoul (KR)

(72) Inventor: **Young Kwang Hyun**, Seoul (KR)

(73) Assignee: **SPIGEN KOREA CO., LTD.**, Seoul (KR)

(\*\*) Term: **15 Years**

(21) Appl. No.: **29/713,915**

(22) Filed: **Nov. 19, 2019**

(51) **LOC (13) Cl.** ..... **03-01**

(52) **U.S. Cl.**  
USPC ..... **D3/218; D3/302**

(58) **Field of Classification Search**  
USPC ..... D3/201, 203.1, 204, 205, 207–208, 212, D3/215, 218, 269, 273–274, 276, 283, D3/284, 294–300, 302, 303, 315, 901, D3/903; D9/414, 418, 420, 430, 432; D28/66, 73, 76, 78, 91; D14/188, 201, D14/204, 205, 209.1, 217, 250, 251, 440, D14/447

CPC ... A45C 13/002; A45C 13/005; A45C 13/025; A45C 2011/001; A45C 2011/002; A45C 2011/003

See application file for complete search history.

(56) **References Cited**

**U.S. PATENT DOCUMENTS**

D259,596 S	6/1981	Gray	
D354,848 S	* 1/1995	Lovell .....	D28/77
D452,611 S	1/2002	Redgrave	
D475,696 S	6/2003	Hussaini et al.	
D586,557 S	2/2009	Jalet	
D604,501 S	11/2009	Lee	
D614,048 S	4/2010	Smith	
D636,598 S	4/2011	Tseng et al.	
D676,654 S	2/2013	Weremchuk et al.	
D734,760 S	7/2015	Brunner et al.	

D738,110 S	9/2015	Jiang et al.
D740,018 S	10/2015	Zhang et al.
D756,626 S	5/2016	Tollefsbol et al.
D761,773 S	7/2016	Choi et al.

(Continued)

**OTHER PUBLICATIONS**

Caseology Vault for Apple AirPods Pro Case (2019)—Matte Black, posted at amazon.com, available Jan. 1, 2020, retrieved Apr. 21, 2020, online, URL: [https://www.amazon.com/Caseology-Vault-Apple-Airpods-Case/dp/B07ZZZXD63/ref=psdc\\_2267281011\\_t2\\_B07ZPG8RYV?th=1](https://www.amazon.com/Caseology-Vault-Apple-Airpods-Case/dp/B07ZZZXD63/ref=psdc_2267281011_t2_B07ZPG8RYV?th=1) (Year: 2020).\*

*Primary Examiner* — Lilyana Bekic

*Assistant Examiner* — Mary Shannon Malley

(74) *Attorney, Agent, or Firm* — Heedong Chae; Lucem, PC

(57) **CLAIM**

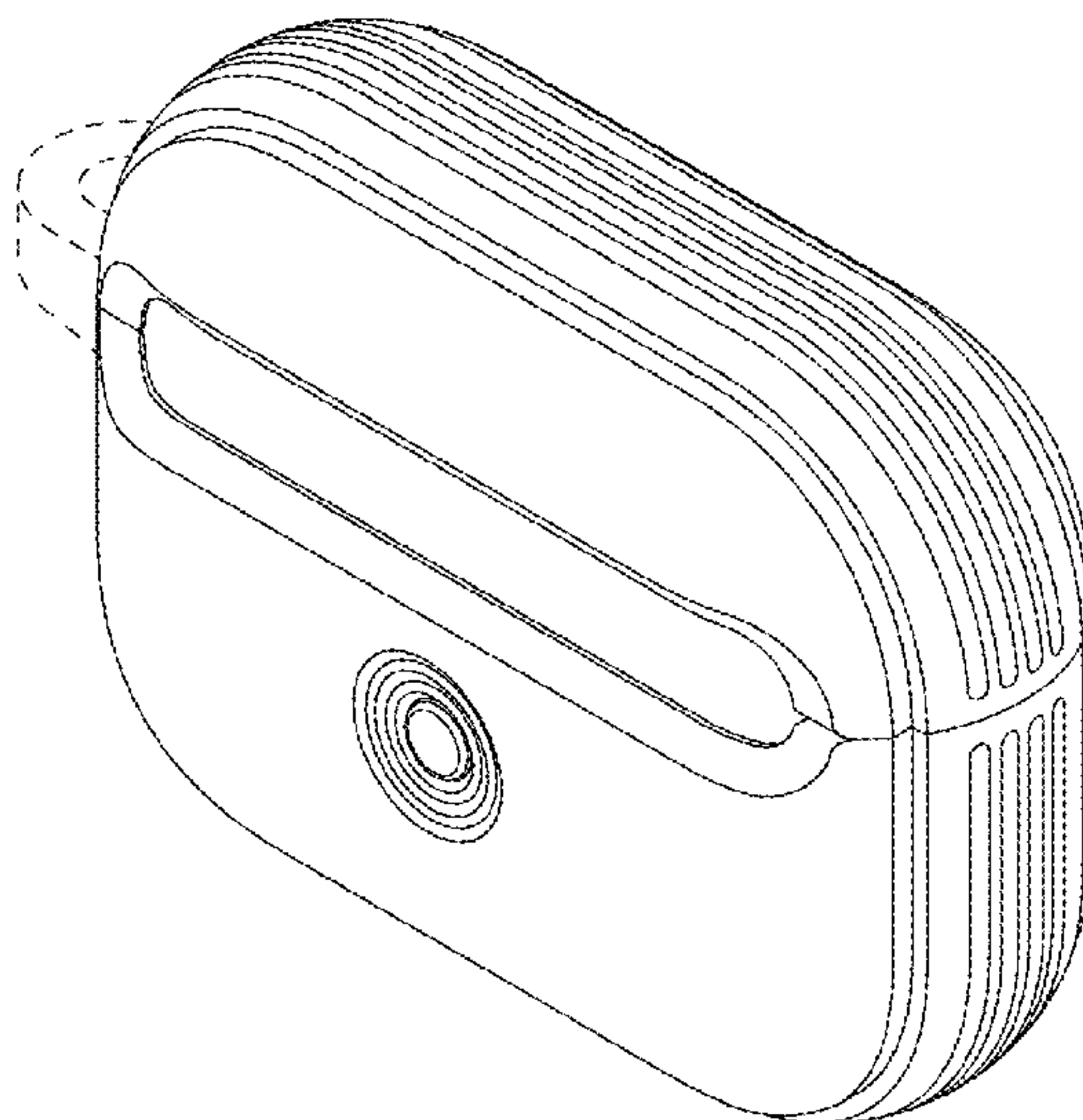
The ornamental design for a case for earphones, as shown and described.

**DESCRIPTION**

FIG. 1 is a front perspective view of a case for earphones showing my new design;  
FIG. 2 is a rear perspective view thereof;  
FIG. 3 is a front elevational view thereof;  
FIG. 4 is a rear elevational view thereof;  
FIG. 5 is a left side elevational view thereof;  
FIG. 6 is a right side elevational view thereof;  
FIG. 7 is a top plan view thereof;  
FIG. 8 is a bottom plan view thereof; and,  
FIG. 9 is an exploded front perspective view of the case for earphones, showing the components separated for clarity of disclosure.

The dot dash broken lines depict a boundary of the claimed design and form no part thereof. The dash-dash broken lines depict portions of the case for earphones that form no part of the claimed design.

**1 Claim, 9 Drawing Sheets**



(56)

References Cited

U.S. PATENT DOCUMENTS

D762,204 S 7/2016 Armstrong et al.  
 D776,105 S 1/2017 Han  
 D784,311 S 4/2017 Yoon  
 D791,754 S 7/2017 Armstrong et al.  
 D792,877 S 7/2017 Kim et al.  
 D794,617 S 8/2017 Wright et al.  
 D794,618 S 8/2017 Wright et al.  
 D806,388 S 1/2018 Akana et al.  
 D807,335 S 1/2018 Kitade  
 D812,600 S 3/2018 Altaras  
 D812,618 S 3/2018 Altaras  
 D813,217 S 3/2018 Kim  
 D813,909 S 3/2018 Lacy-Nichols  
 D816,651 S 5/2018 Chiang et al.  
 D817,640 S 5/2018 Dang et al.  
 D823,246 S 7/2018 Lin  
 D826,152 S \* 8/2018 Christiansen ..... D13/108  
 D834,301 S 11/2018 Poissant  
 D835,081 S 12/2018 Luo  
 D836,095 S 12/2018 Kim et al.  
 D838,480 S 1/2019 Son et al.  
 D841,580 S 2/2019 Bao  
 D841,581 S 2/2019 Bonahoom et al.  
 D846,264 S 4/2019 Wu  
 D849,401 S 5/2019 Akana et al.  
 D851,033 S 6/2019 Yuk  
 D853,996 S 6/2019 Wild  
 D853,108 S 7/2019 Zaihui

D857,373 S \* 8/2019 Karsenti ..... D3/201  
 D860,933 S 9/2019 Sun  
 D862,425 S 10/2019 Yan  
 D862,435 S 10/2019 Kwak et al.  
 D864,110 S 10/2019 Yoshimura  
 D864,971 S 10/2019 Lee et al.  
 D865,739 S 11/2019 Altschul et al.  
 D868,453 S 12/2019 Lee et al.  
 D868,465 S 12/2019 Lee et al.  
 D869,147 S 12/2019 Lian  
 D869,161 S \* 12/2019 Zhong ..... D3/294  
 D869,163 S 12/2019 Maguire  
 D870,037 S 12/2019 Lee  
 D870,451 S 12/2019 Birger  
 D872,094 S 1/2020 Wright et al.  
 D872,468 S 1/2020 Lee et al.  
 D872,469 S 1/2020 Lee et al.  
 D872,723 S 1/2020 Lee et al.  
 D872,724 S 1/2020 Lee et al.  
 D873,217 S 1/2020 Zhang  
 D874,826 S \* 2/2020 Zhang ..... D3/303  
 D878,045 S \* 3/2020 Akana ..... D3/274  
 D878,754 S \* 3/2020 Lee ..... D3/270  
 D881,179 S \* 4/2020 Wright ..... D14/250  
 D881,180 S \* 4/2020 Wright ..... D14/250  
 D881,181 S \* 4/2020 Wright ..... D14/250  
 D881,572 S \* 4/2020 Wang ..... D3/294  
 D881,867 S \* 4/2020 Lee ..... D14/250  
 2018/0014104 A1 \* 1/2018 Boesen ..... H04R 1/1025  
 2020/0100573 A1 \* 4/2020 Ekelund ..... A45C 11/00

\* cited by examiner

FIG. 1

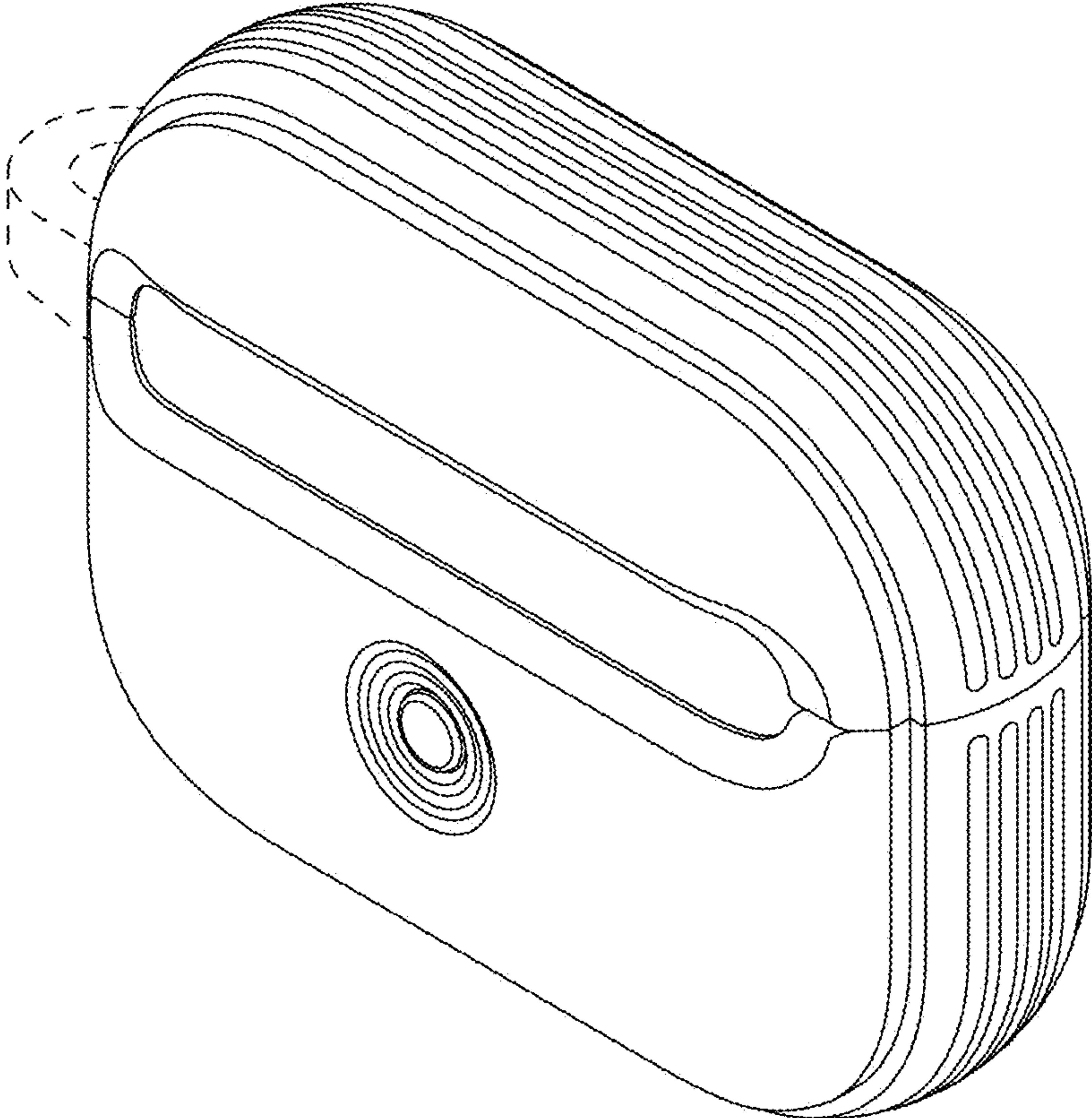




FIG. 2

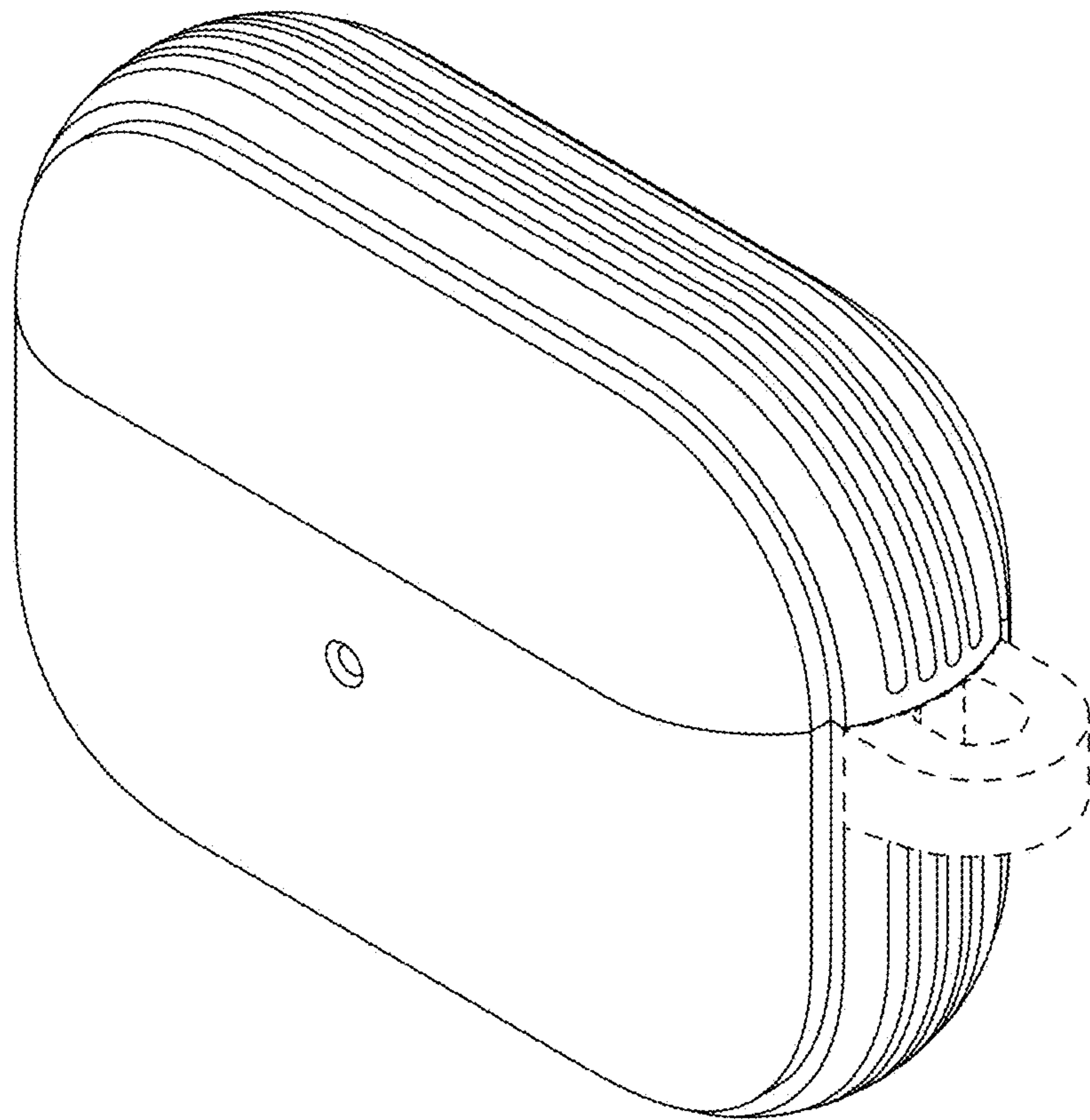


FIG. 3

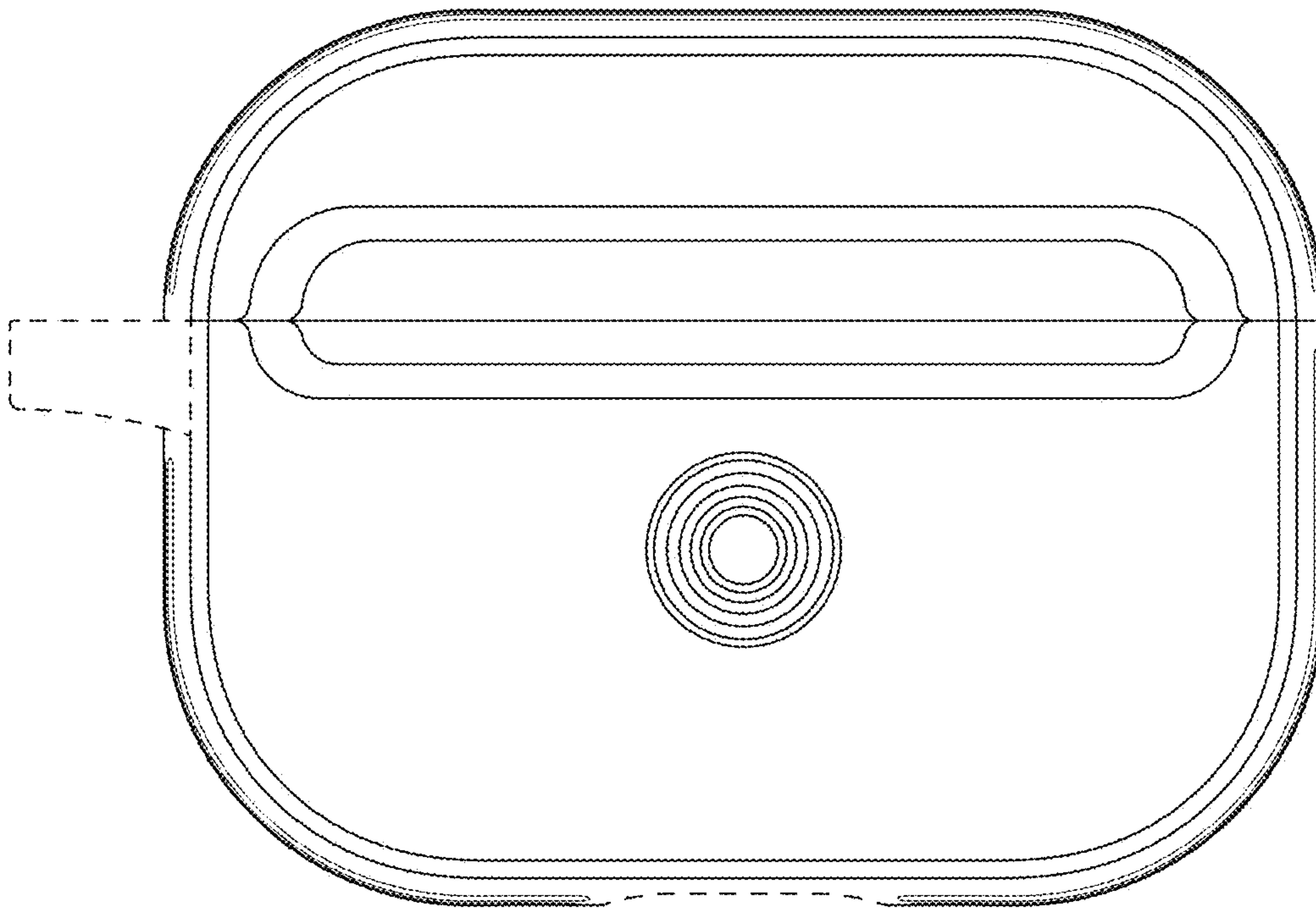


FIG. 4

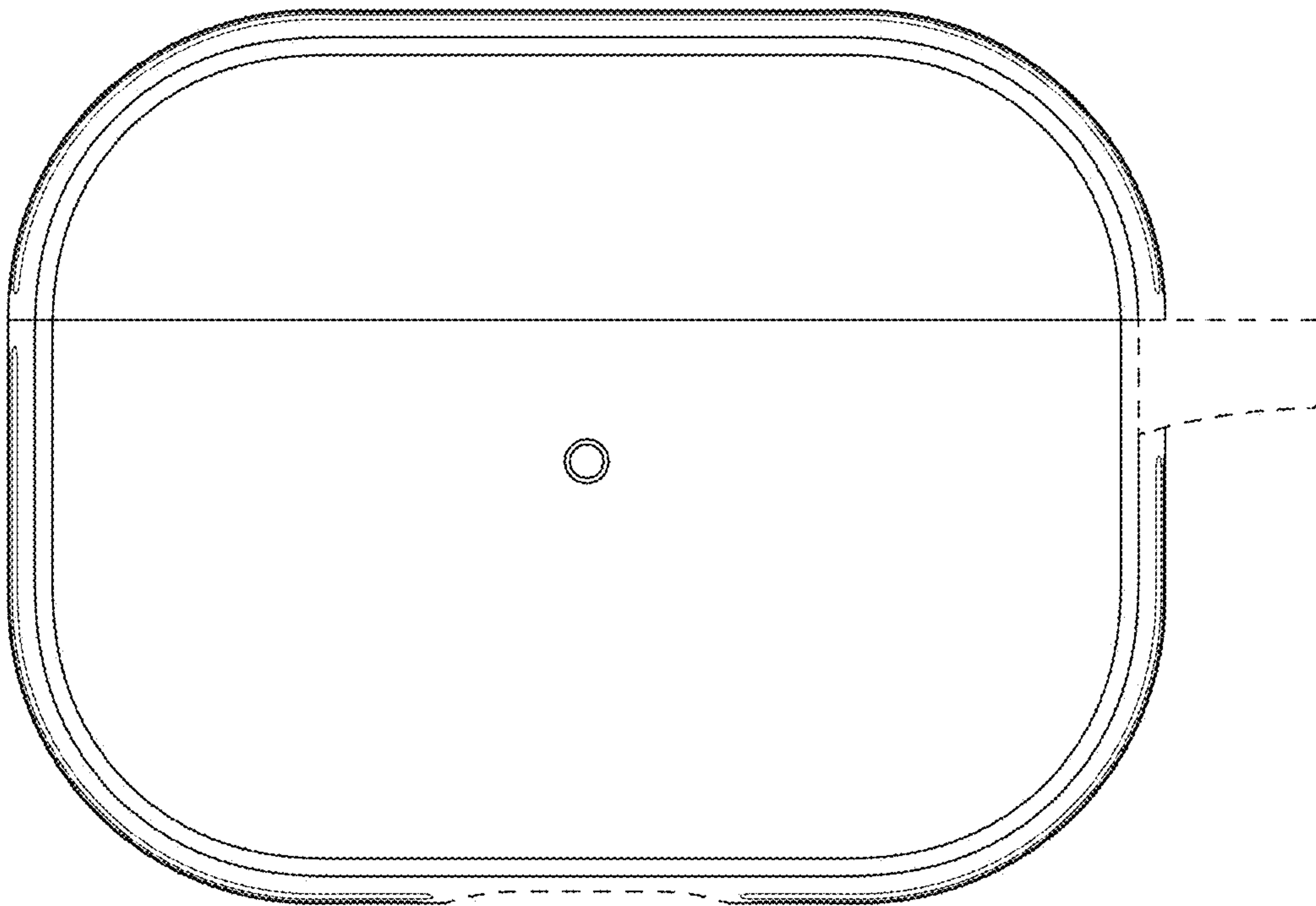


FIG. 5

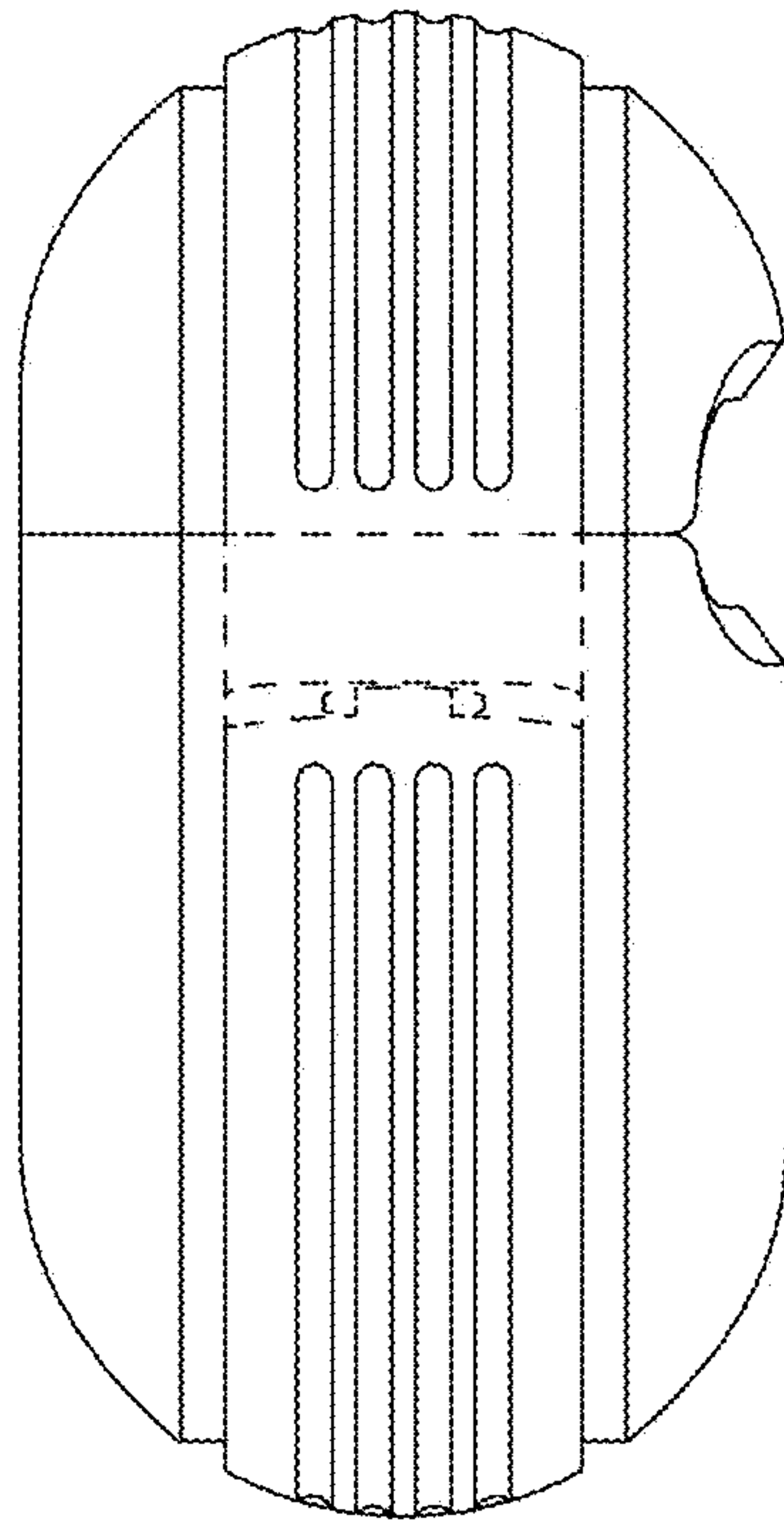


FIG. 6

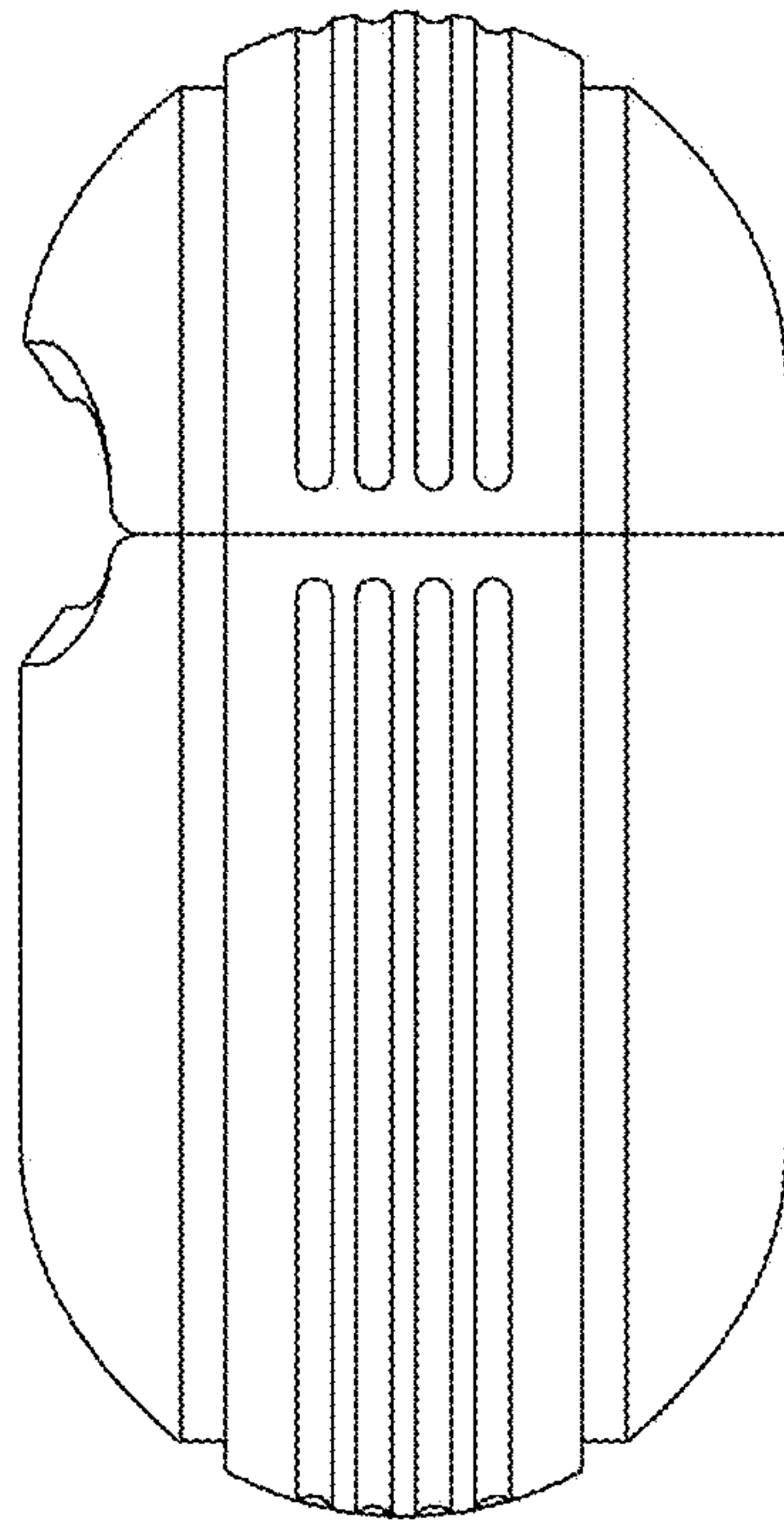




FIG. 7

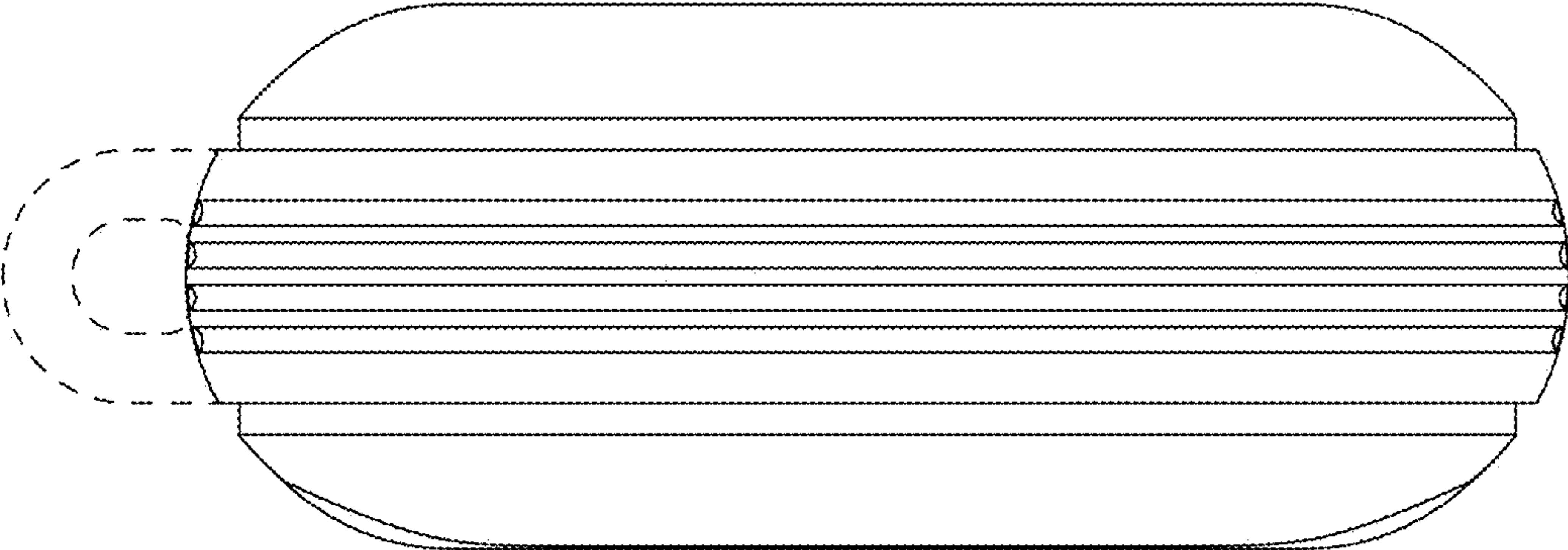


FIG. 8

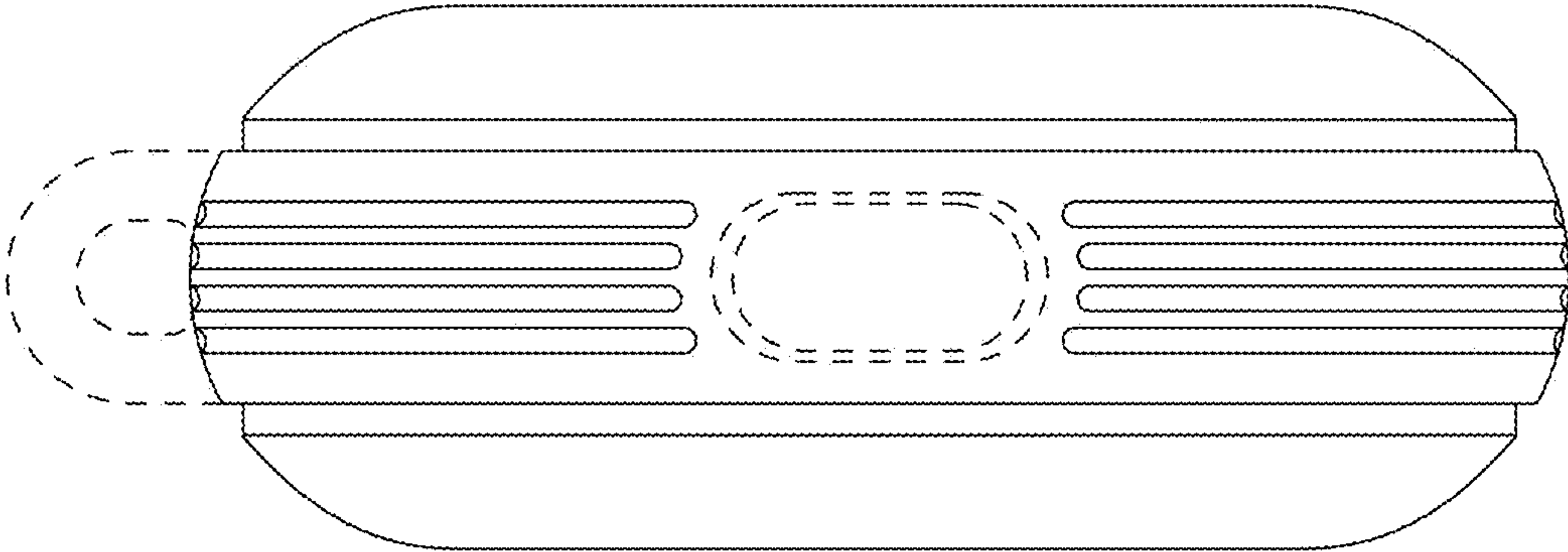


FIG. 9

