



US00D924549S

(12) **United States Design Patent** (10) **Patent No.:** **US D924,549 S**
Chaney et al. (45) **Date of Patent:** **** Jul. 13, 2021**

(54) **REMOVABLE ICE TRACTION DEVICE FOR FOOTWEAR**

(71) Applicant: **OT Intellectual Property, LLC**,
Portland, OR (US)

(72) Inventors: **Brian Chaney**, Portland, OR (US);
Andrew J. Linth, Portland, OR (US);
Sangmin Lee, Portland, OR (US)

(73) Assignee: **OT Intellectual Property, LLC**,
Portland, OR (US)

(**) Term: **15 Years**

(21) Appl. No.: **29/631,134**

(22) Filed: **Dec. 27, 2017**

(51) **LOC (13) Cl.** **02-04**

(52) **U.S. Cl.**
USPC **D2/962**

(58) **Field of Classification Search**
USPC D2/896, 901, 902, 907-909, 912,
D2/943-946, 962, 969, 970, 972-974,
D2/976, 978
CPC .. A41D 17/00; A43B 5/10; A43B 5/06; A43C
1/00; A43C 11/00; A43C 19/00
See application file for complete search history.

(56) **References Cited**

U.S. PATENT DOCUMENTS

D369,233 S *	4/1996	Haber	D2/946
D404,895 S *	2/1999	Rosato	D2/946
D405,249 S *	2/1999	Hikita	D2/962
D405,591 S *	2/1999	Kan	D2/946
D516,790 S *	3/2006	Stryjak	D2/969

D747,597 S *	1/2016	Raisanen	D2/962
D748,903 S *	2/2016	Lee	D2/946
D770,151 S *	11/2016	Choi	D2/946
D817,627 S *	5/2018	Chang	A43B 5/14 D2/973
10,076,160 B2 *	9/2018	Burns	A44B 11/065
D838,463 S *	1/2019	Durflinger	D2/972
D843,099 S *	3/2019	Bunch	D2/962
D854,303 S *	7/2019	Flanagan	A43B 11/00 D2/972
D909,740 S *	2/2021	Kanata	D2/973
D911,016 S *	2/2021	Richez	A43B 11/00 D2/972
D911,697 S *	3/2021	Sallee	D2/972
2016/0338449 A1 *	11/2016	Steuerwald	A43B 5/14

* cited by examiner

Primary Examiner — Kevin K Rudzinski

Assistant Examiner — Clare Ann Gannon

(74) *Attorney, Agent, or Firm* — Ganz Pollard, LLC

(57) **CLAIM**

The ornamental design for a removable ice traction device for footwear, as shown and described.

DESCRIPTION

FIG. 1 is a front elevational view of the removable ice traction device for footwear.

FIG. 2 is a rear elevational view thereof.

FIG. 3 is a lateral side elevational view thereof.

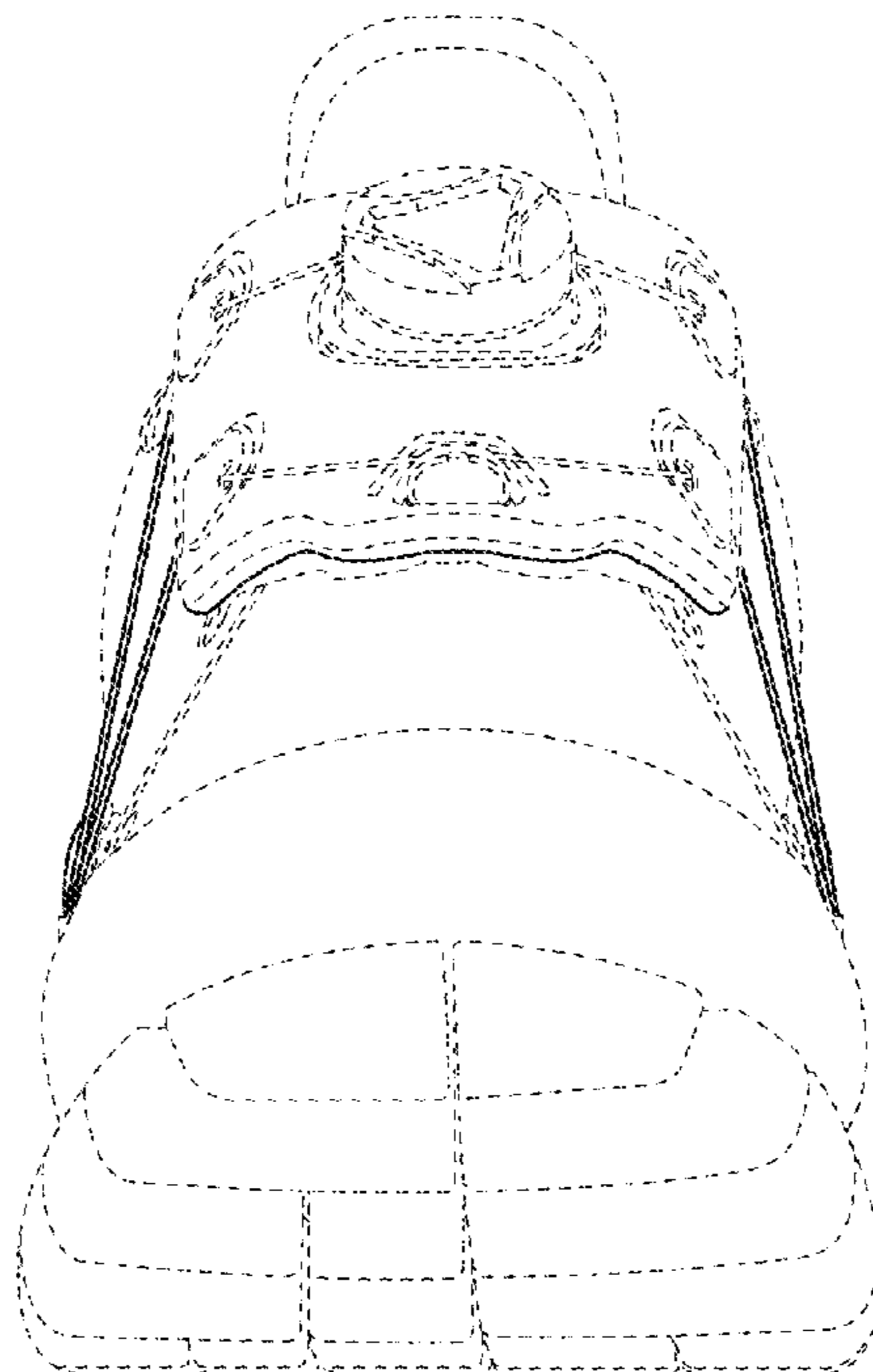
FIG. 4 is a medial side elevational view thereof.

FIG. 5 is top plan view thereof; and,

FIG. 6 is a bottom plan view thereof.

Features illustrated with the broken lines form no part of the claimed design and are merely to illustrate an exemplary environment for the portion illustrated with solid lines.

1 Claim, 5 Drawing Sheets



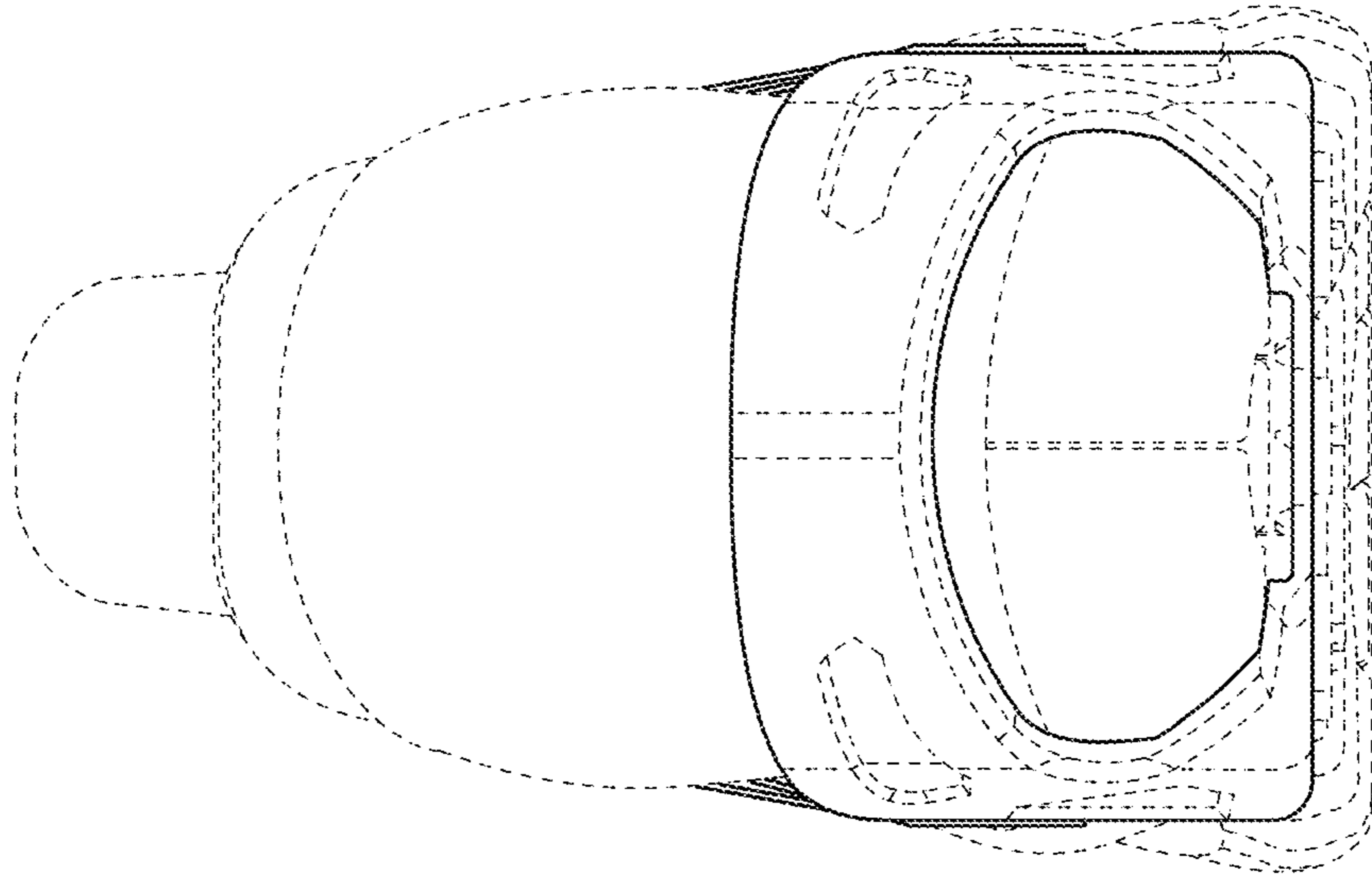


FIG. 1

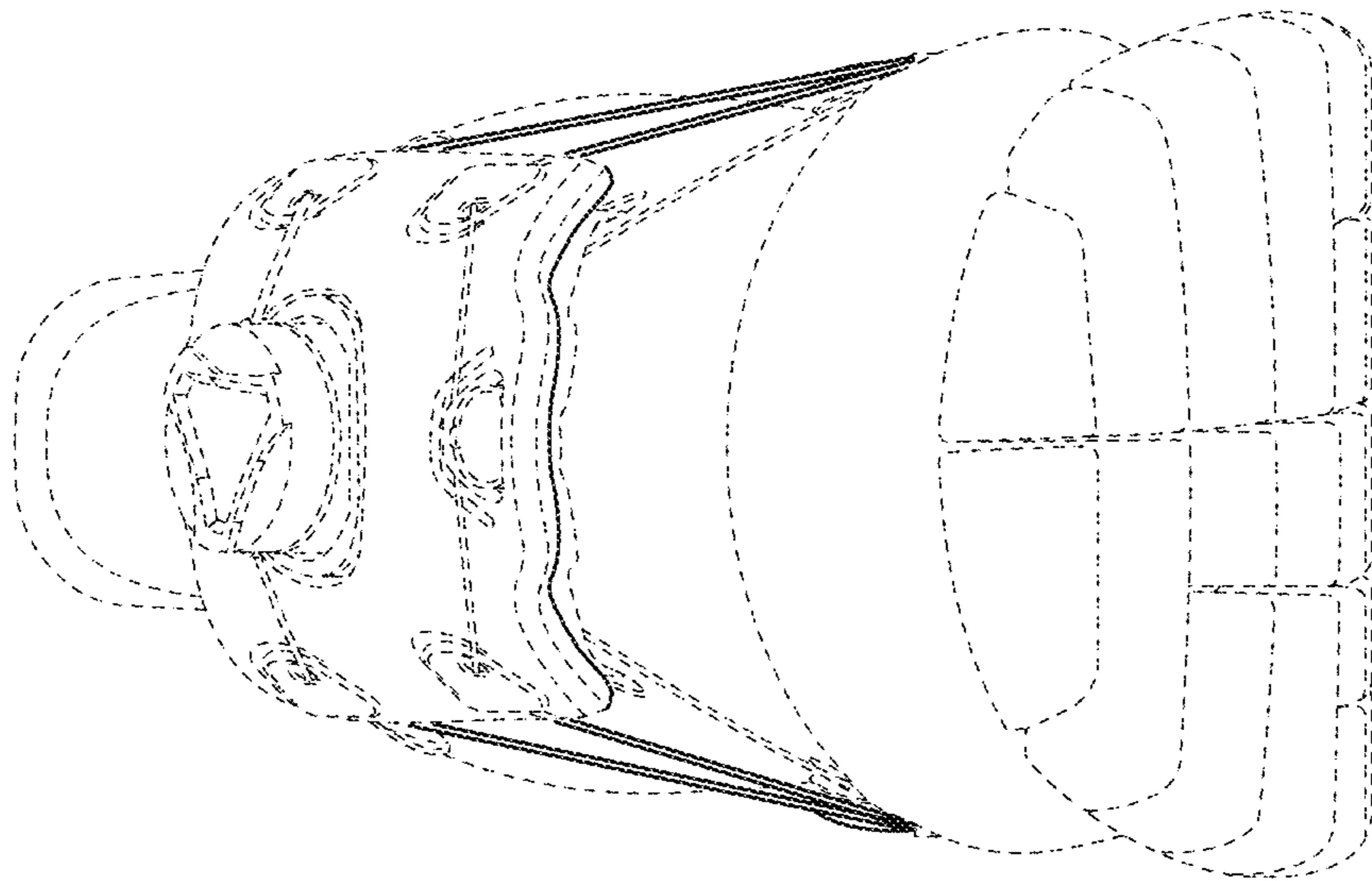


FIG. 2

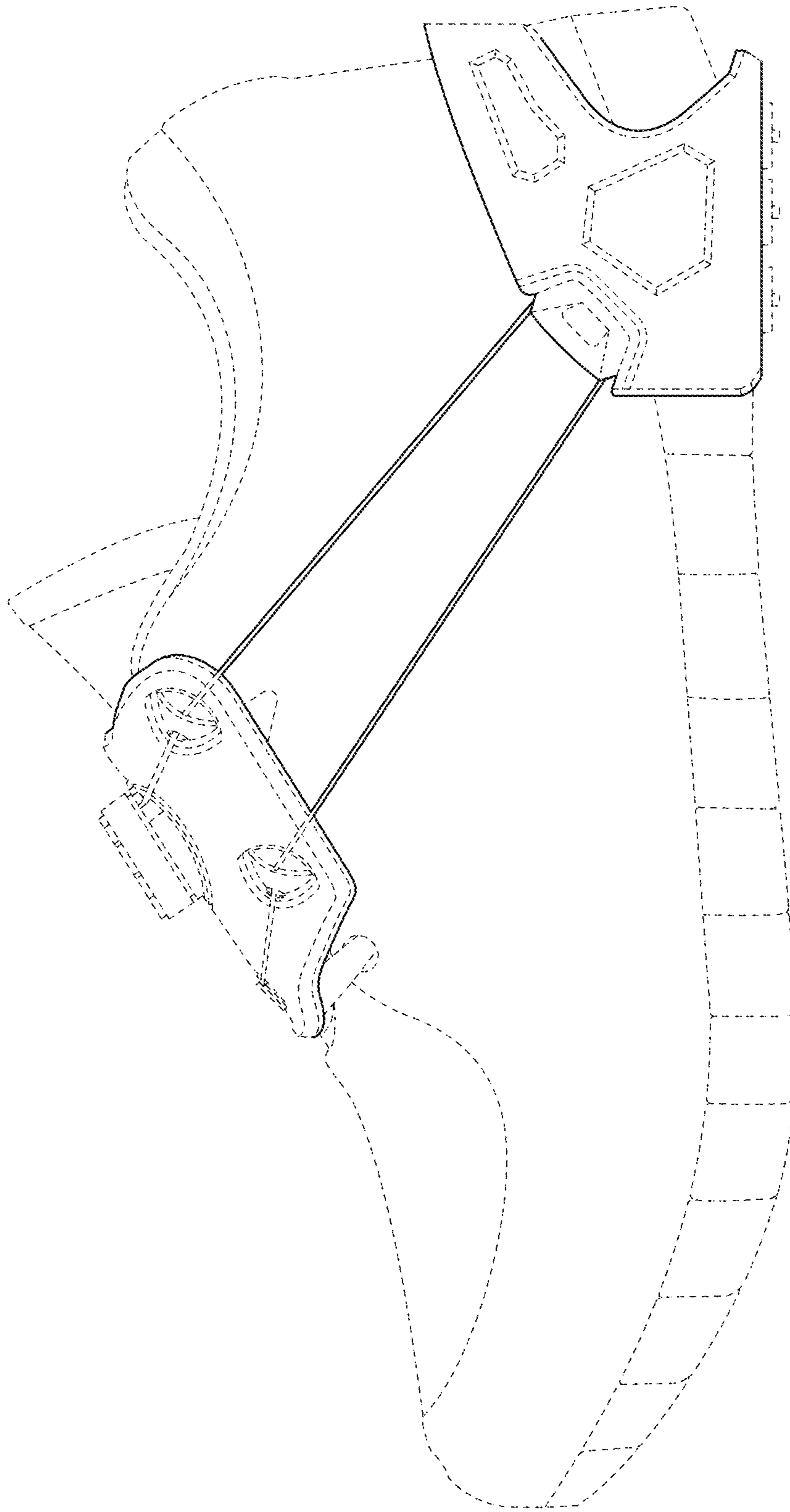


FIG. 3

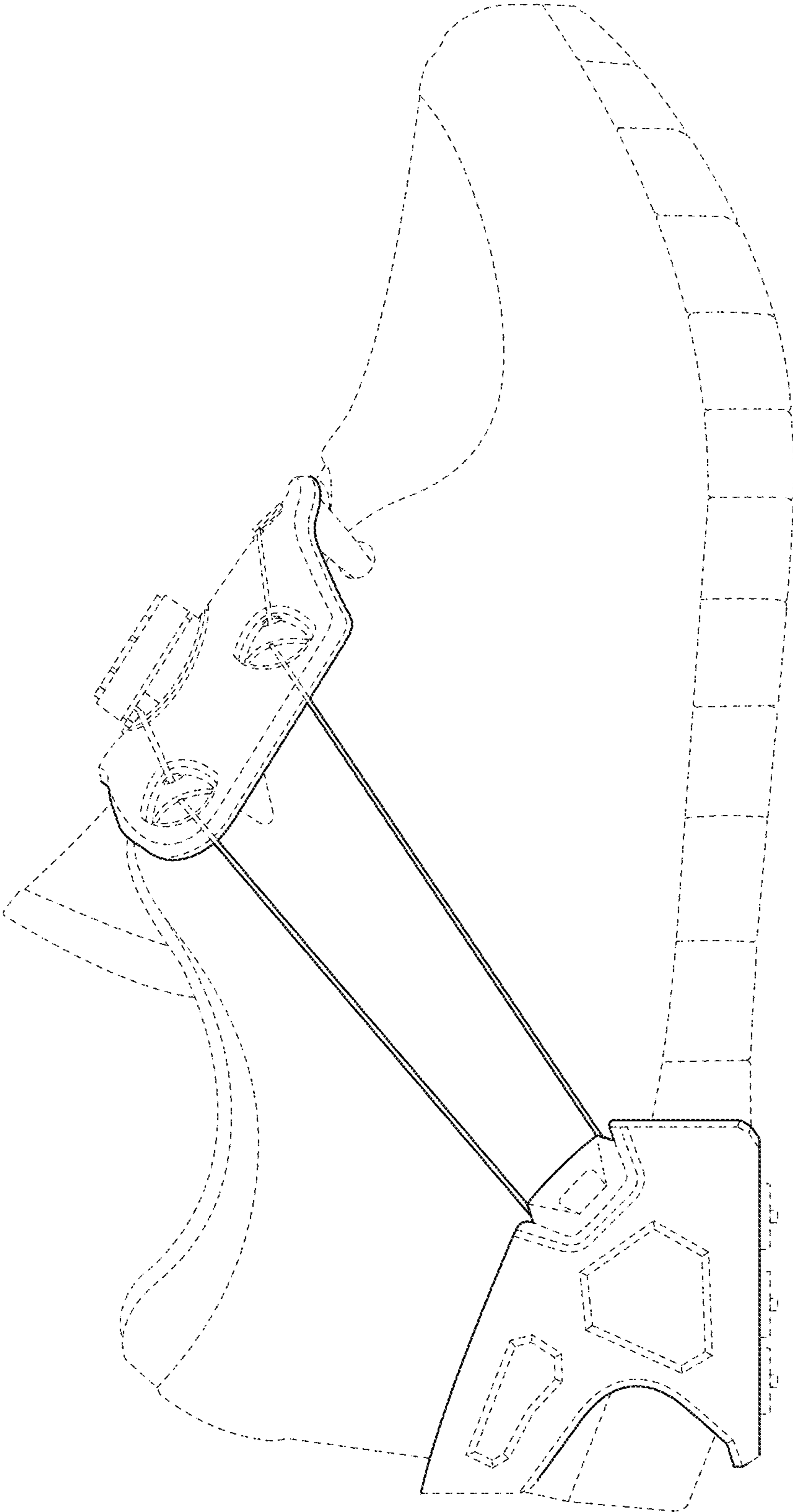


FIG. 4

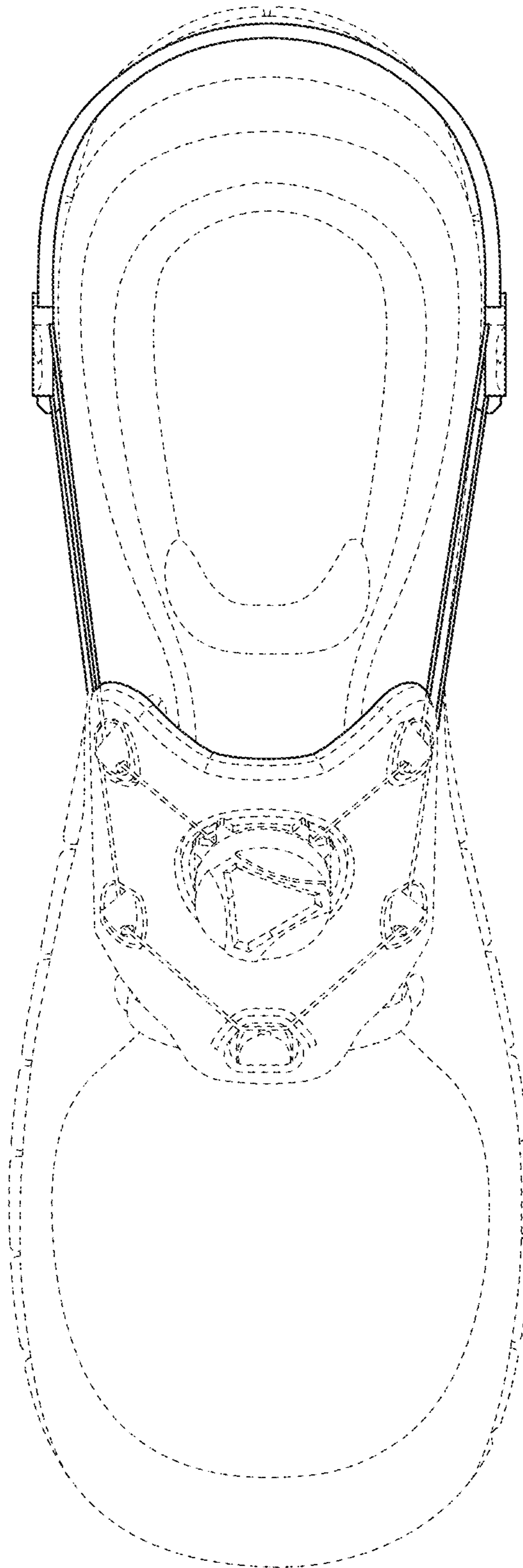


FIG. 5

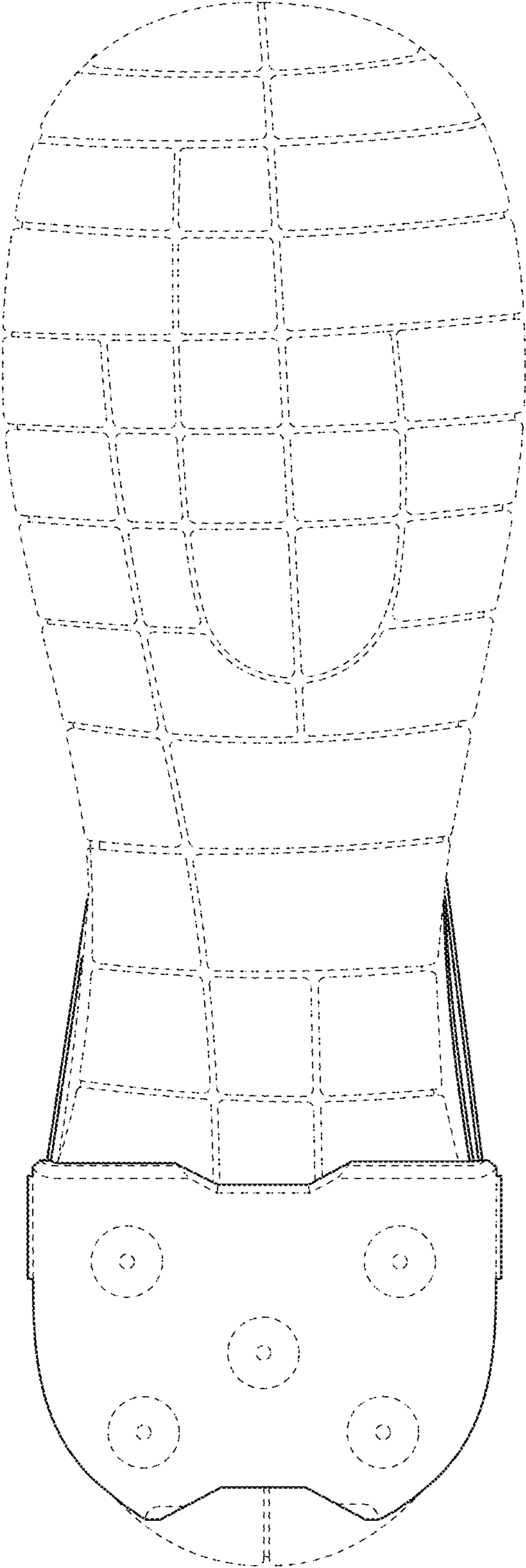


FIG. 6