



US00D924548S

(12) **United States Design Patent**
Xin

(10) **Patent No.:** **US D924,548 S**

(45) **Date of Patent:** **** Jul. 13, 2021**

(54) **PAIR OF SOLES**

(71) Applicant: **Fujian fox industry Co., Ltd.**,
Quanzhou (CN)

(72) Inventor: **Zheng Yu Xin**, Quanzhou (CN)

(**) Term: **15 Years**

(21) Appl. No.: **29/704,319**

(22) Filed: **Sep. 4, 2019**

(51) **LOC (13) Cl.** **02-04**

(52) **U.S. Cl.**
USPC **D2/960; D2/947; D2/951; D2/953;**
D2/957

(58) **Field of Classification Search**

USPC D2/902, 906, 908, 916, 918, 925,
D2/946-962, 977; 36/3 B, 22 R, 24.5,
36/25 R, 28, 32 R, 34 R, 59 C, 67 A, 103
CPC A43B 13/00; A43B 13/02; A43B 13/023;
A43B 13/026; A43B 13/04; A43B 13/08;
A43B 13/10; A43B 13/12; A43B 13/14;
A43B 13/141; A43B 13/143; A43B
13/16; A43B 13/18; A43B 13/181; A43B
13/187; A43B 13/189; A43B 13/20; A43B
13/22; A43B 13/223; A43B 13/24; A43B
13/28; A43B 13/30; A43B 13/32; A43B
13/34; A43B 13/36

See application file for complete search history.

(56) **References Cited**

U.S. PATENT DOCUMENTS

1,517,610 A * 12/1924 Bayless A43B 17/08
36/43
2,295,763 A * 9/1942 Sperry A43B 13/226
264/130
D317,826 S * 7/1991 Austin D2/957
D317,974 S * 7/1991 Austin D2/957
D322,509 S * 12/1991 Issler D2/957
D331,490 S * 12/1992 Bramani D2/960

D409,362 S * 5/1999 Turner D2/951
D728,914 S * 5/2015 Bove D2/958
D728,915 S * 5/2015 Taestensen D2/960
D737,031 S * 8/2015 Bizzo D2/960
D774,741 S * 12/2016 Mocos D2/960
D776,413 S * 1/2017 Mocos D2/960
D779,805 S * 2/2017 Mocos D2/960
D779,806 S * 2/2017 Mocos D2/960
D782,165 S * 3/2017 Slimane D2/902
D801,661 S * 11/2017 Nethongkome D2/960
9,833,039 B2 * 12/2017 Smaldone A43B 23/027
D811,066 S * 2/2018 Young D2/960
D820,570 S * 6/2018 Mocos D2/960
D832,564 S * 11/2018 Mocos D2/960
D841,965 S * 3/2019 Goldman D2/960
D847,478 S * 5/2019 Fracassi D2/957
D851,885 S * 6/2019 Sebastian D2/960

(Continued)

Primary Examiner — T Chase Nelson

(74) *Attorney, Agent, or Firm* — Rumit Ranjit Kanakia

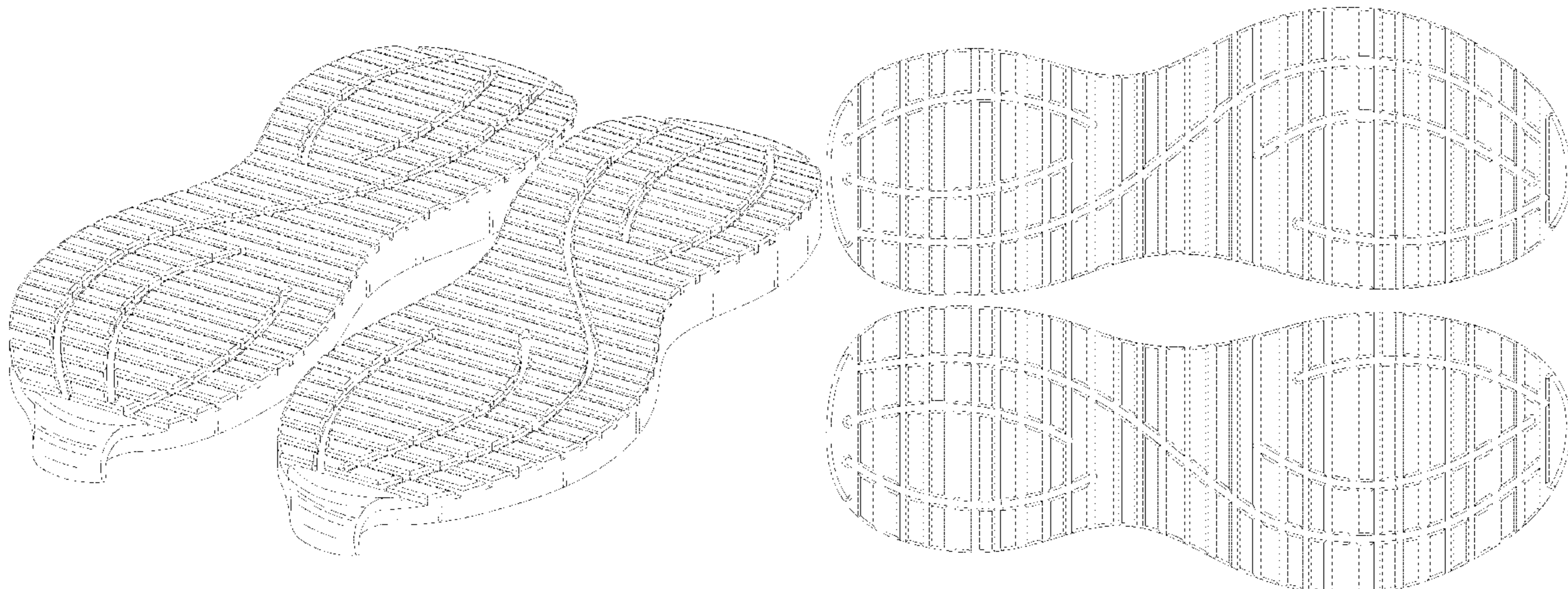
(57) **CLAIM**

I claim the ornamental design for a pair of soles, shown and described.

DESCRIPTION

FIG. 1 is a Perspective view of a pair of soles showing my new design;
FIG. 2 is a Left-side view of the pair of soles as shown in FIG. 1;
FIG. 3 is a Right-side view of the pair of soles as shown in FIG. 1;
FIG. 4 is a Front view of the pair of soles as shown in FIG. 1;
FIG. 5 is a Back view of the pair of soles as shown in FIG. 1;
FIG. 6 is a Top view of the pair of soles as shown in FIG. 1; and,
FIG. 7 is a Bottom view of the pair of soles as shown in FIG. 1.

1 Claim, 7 Drawing Sheets



(56)

References Cited

U.S. PATENT DOCUMENTS

D881,544 S * 4/2020 Sebastian D2/960
D882,925 S * 5/2020 Cobb D2/960
D889,799 S * 7/2020 O'Connor D2/960
D896,488 S * 9/2020 Page D2/953
D900,451 S * 11/2020 Jury D2/960
D906,656 S * 1/2021 Montross D2/956
2007/0033837 A1* 2/2007 Fulton A43B 13/223
36/59 R
2008/0196272 A1* 8/2008 Hay A43B 13/186
36/88
2009/0083996 A1* 4/2009 Clancy A43C 15/00
36/88
2009/0229146 A1* 9/2009 Yanke B68C 3/00
36/131
2010/0088928 A1* 4/2010 Sarantakos A43C 11/1493
36/103
2018/0160773 A1* 6/2018 Goldman A43B 7/1425

* cited by examiner

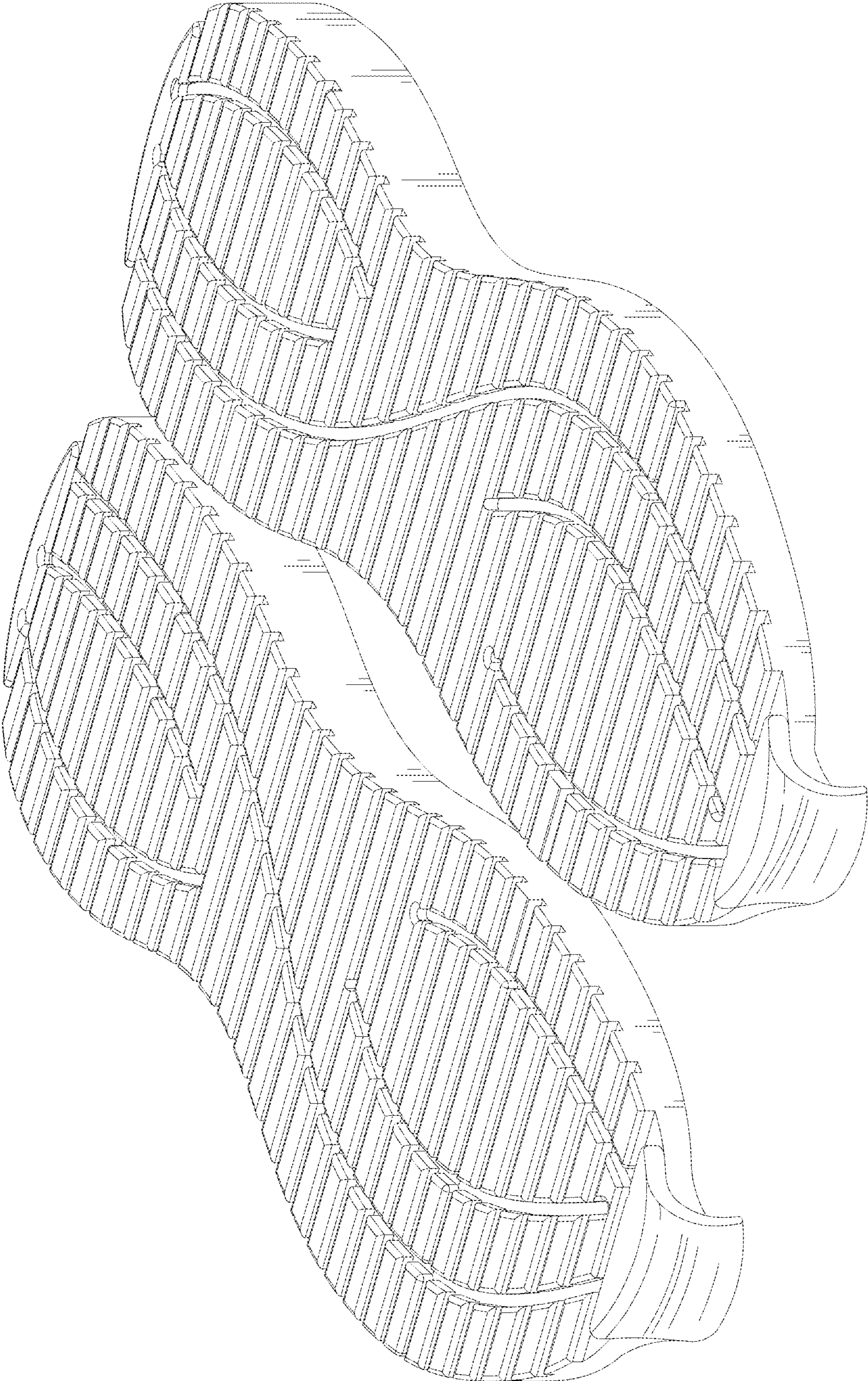


FIG. 1

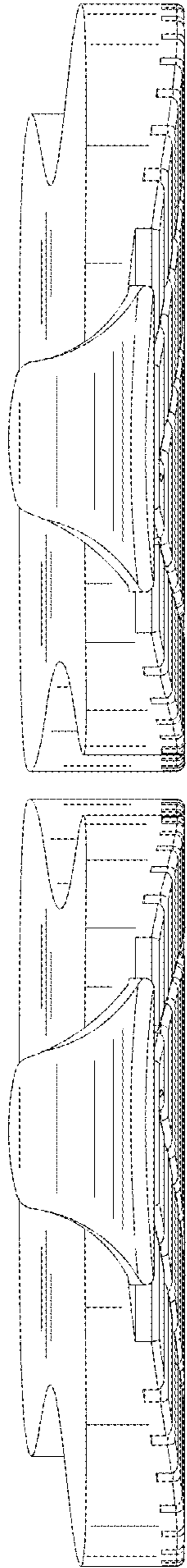


FIG. 2

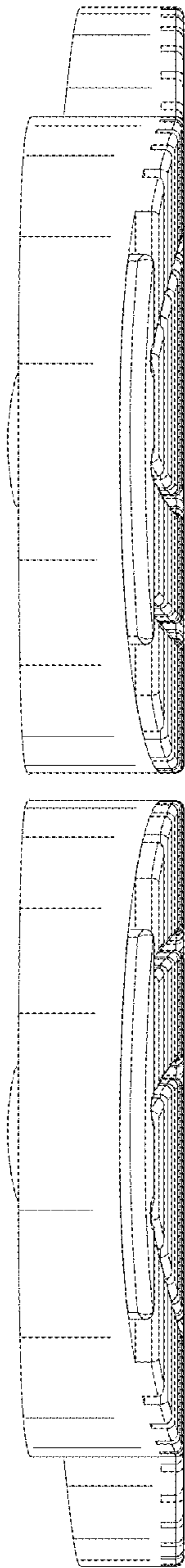


FIG. 3

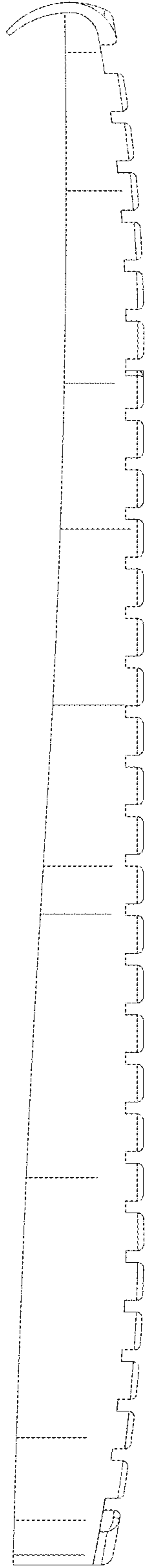


FIG. 4

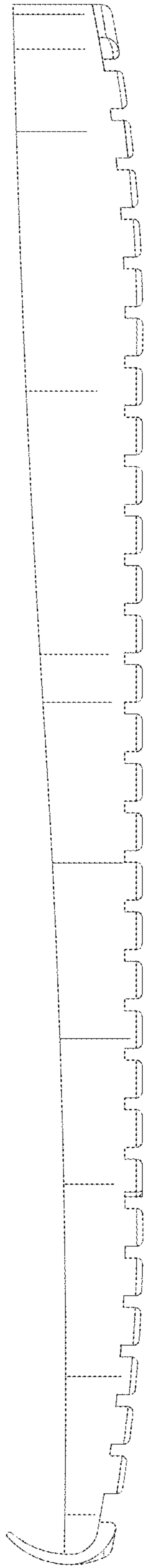


FIG. 5

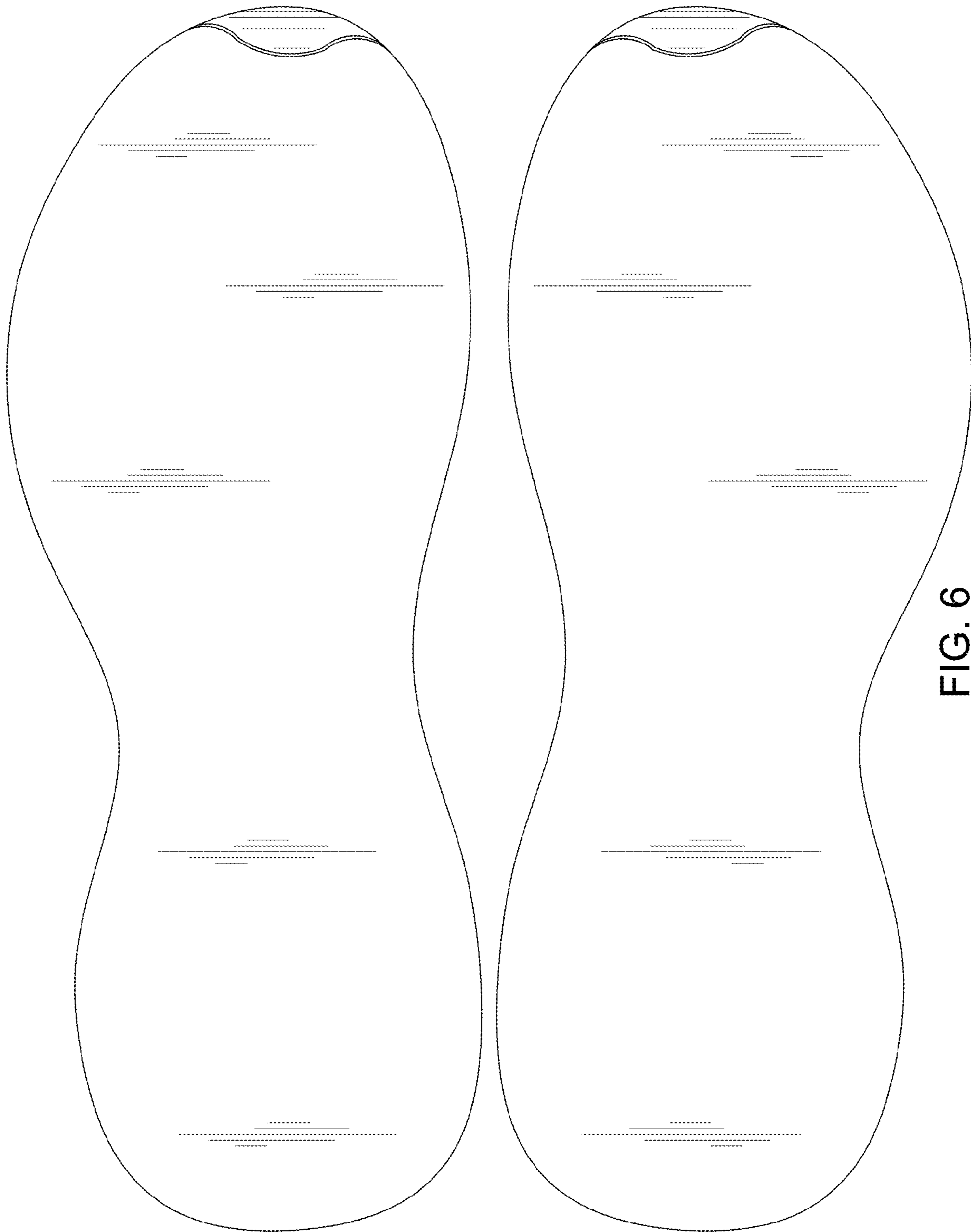


FIG. 6

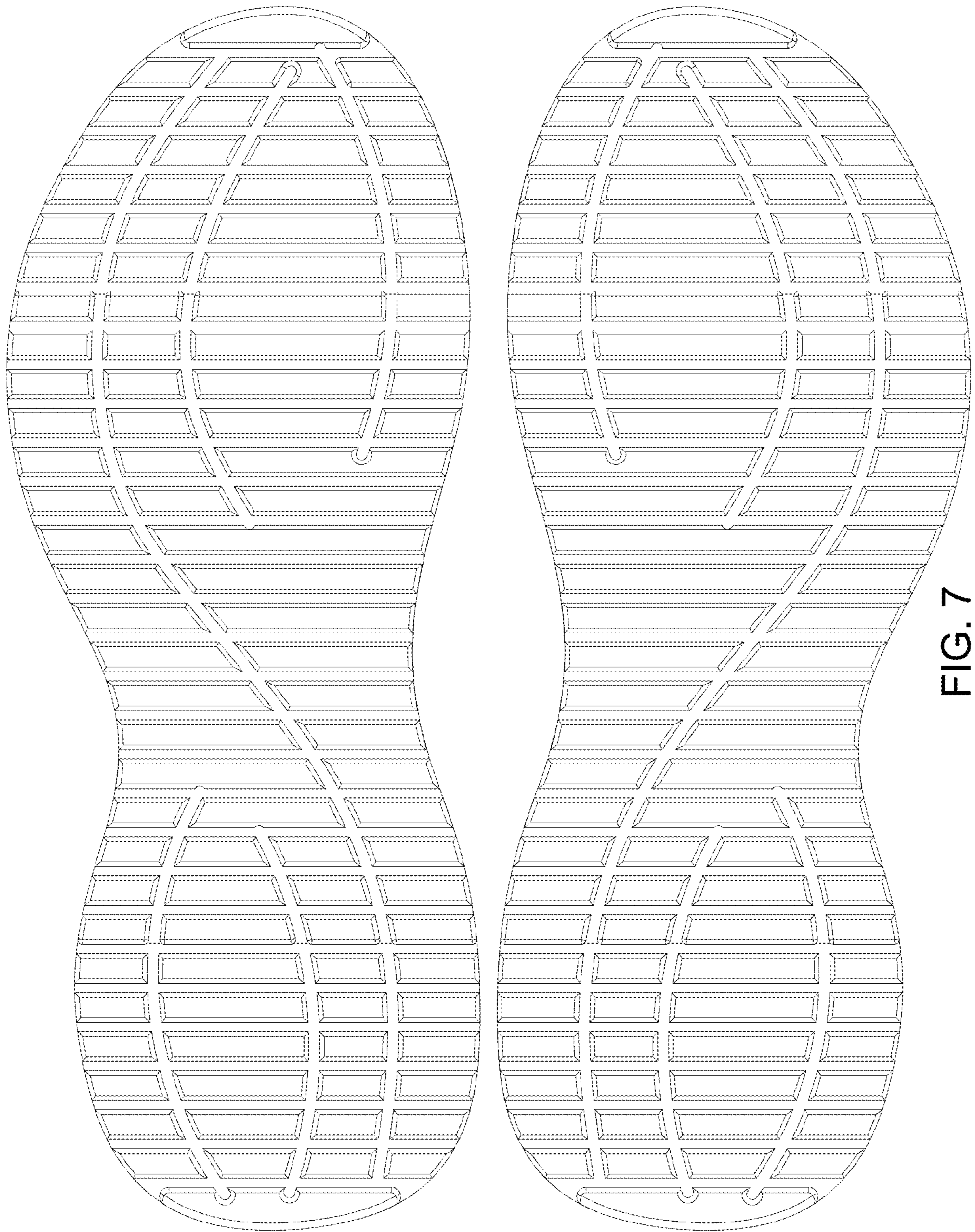


FIG. 7