



US00D924542S

(12) **United States Design Patent** (10) **Patent No.:** **US D924,542 S**  
**Clear** (45) **Date of Patent:** **\*\* Jul. 13, 2021**

(54) **GARMENT WITH SIDE POCKET**  
(71) Applicant: **Gerald E. Clear**, Camden, IN (US)  
(72) Inventor: **Gerald E. Clear**, Camden, IN (US)  
(\*\*) Term: **15 Years**  
(21) Appl. No.: **29/706,537**  
(22) Filed: **Sep. 20, 2019**  
(51) **LOC (13) Cl.** ..... **02-02**  
(52) **U.S. Cl.**  
USPC ..... **D2/742; D2/728**  
(58) **Field of Classification Search**  
USPC ..... **D2/742, 731, 857**  
(Continued)

(56) **References Cited**  
U.S. PATENT DOCUMENTS  
1,717,982 A \* 6/1929 Krumpelbeck ..... A41D 27/20  
2/247  
D588,336 S \* 3/2009 Fazeli ..... D2/742  
(Continued)

*Primary Examiner* — Kevin K Rudzinski  
*Assistant Examiner* — J. Thorn, Sr.  
(74) *Attorney, Agent, or Firm* — Maginot, Moore & Beck  
LLP

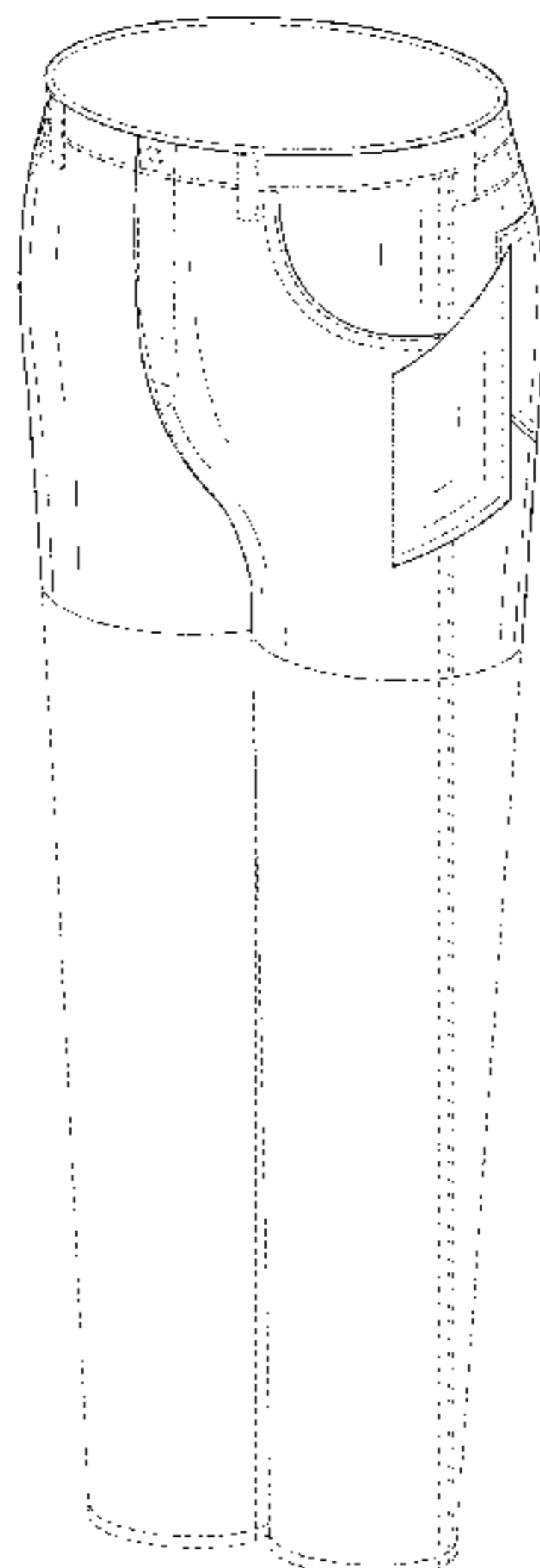
(57) **CLAIM**  
The ornamental design for a garment with side pocket, as  
shown and described.

**DESCRIPTION**

FIG. 1 is a perspective view of a first embodiment of a  
garment with side pocket showing my new design;  
FIG. 2 is a front side elevational view of the garment with  
side pocket of FIG. 1;  
FIG. 3 is a rear side elevational view of the garment with  
side pocket of FIG. 1;

FIG. 4 is a left side elevational view of the garment with side  
pocket of FIG. 1;  
FIG. 5 is a right side elevational view of the garment with  
side pocket of FIG. 1;  
FIG. 6 is a top plan view of the garment with side pocket of  
FIG. 1; and  
FIG. 7 is a bottom plan view of the garment with side pocket  
of FIG. 1.  
FIG. 8 is a perspective view of a second embodiment of a  
garment with side pocket showing my new design;  
FIG. 9 is a front side elevational view of the garment with  
side pocket of FIG. 8;  
FIG. 10 is a rear side elevational view of the garment with  
side pocket of FIG. 8;  
FIG. 11 is a left side elevational view of the garment with  
side pocket of FIG. 8;  
FIG. 12 is a right side elevational view of the garment with  
side pocket of FIG. 8;  
FIG. 13 is a top plan view of the garment with side pocket  
of FIG. 8; and  
FIG. 14 is a bottom plan view of the garment with side  
pocket of FIG. 8.  
FIG. 15 is a perspective view of a third embodiment of a  
garment with side pocket showing my new design;  
FIG. 16 is a front side elevational view of the garment with  
side pocket of FIG. 15;  
FIG. 17 is a rear side elevational view of the garment with  
side pocket of FIG. 15;  
FIG. 18 is a left side elevational view of the garment with  
side pocket of FIG. 15;  
FIG. 19 is a right side elevational view of the garment with  
side pocket of FIG. 15;  
FIG. 20 is a top plan view of the garment with side pocket  
of FIG. 15; and,  
FIG. 21 is a bottom plan view of the garment with side  
pocket of FIG. 15.  
The broken lines shown in the drawings illustrate portions of  
the garment with side pocket that form no part of the claimed  
design. The dash-dot-dash broken lines illustrate boundaries  
of the claimed design and form no part of the claimed  
design.

**1 Claim, 15 Drawing Sheets**



(58) **Field of Classification Search**

CPC ..... A41D 27/20; A41D 1/06  
See application file for complete search history.

(56) **References Cited**

U.S. PATENT DOCUMENTS

D639,027	S	*	6/2011	Seguin	.....	D2/857
D655,481	S	*	3/2012	Seguin	.....	D2/857
D763,549	S	*	8/2016	Davis	.....	D2/742
D766,546	S	*	9/2016	Grosbol	.....	D2/742
D770,132	S		11/2016	Burke et al.		
D806,984	S	*	1/2018	Ingram	.....	D2/742
D855,944	S	*	8/2019	Clear	.....	D2/857
D864,524	S	*	10/2019	Lyon	.....	D2/742
D913,641	S	*	3/2021	Plant	.....	D2/857
D918,536	S	*	5/2021	Feng	.....	D2/742

\* cited by examiner

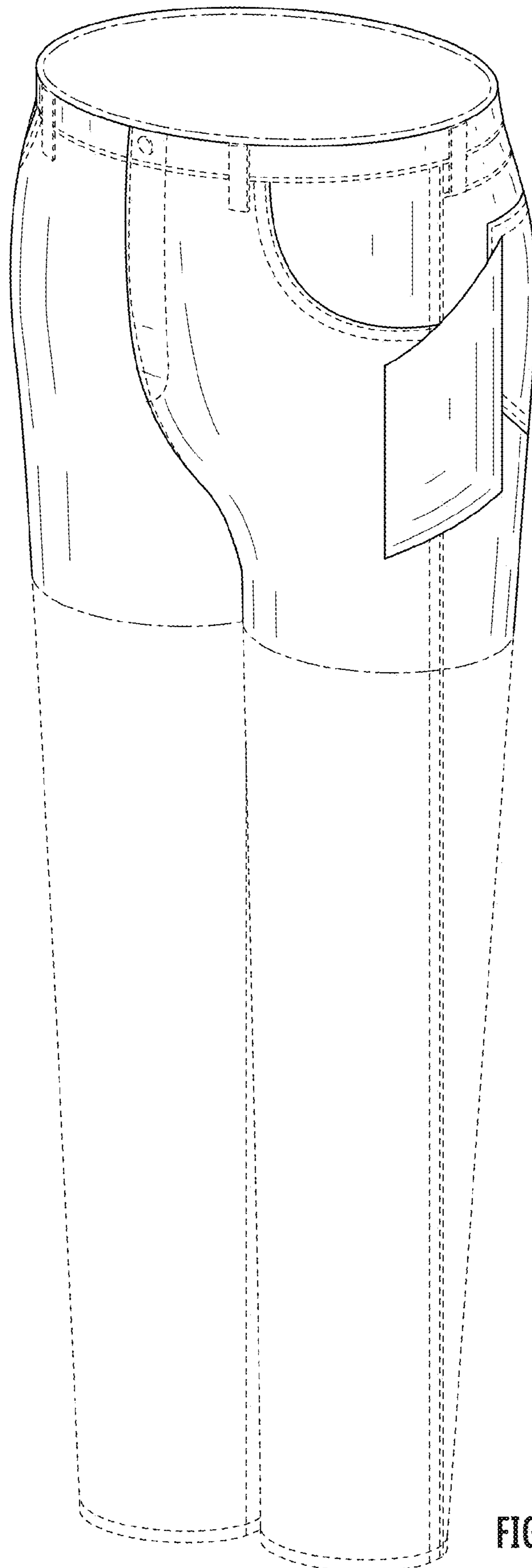


FIG. 1

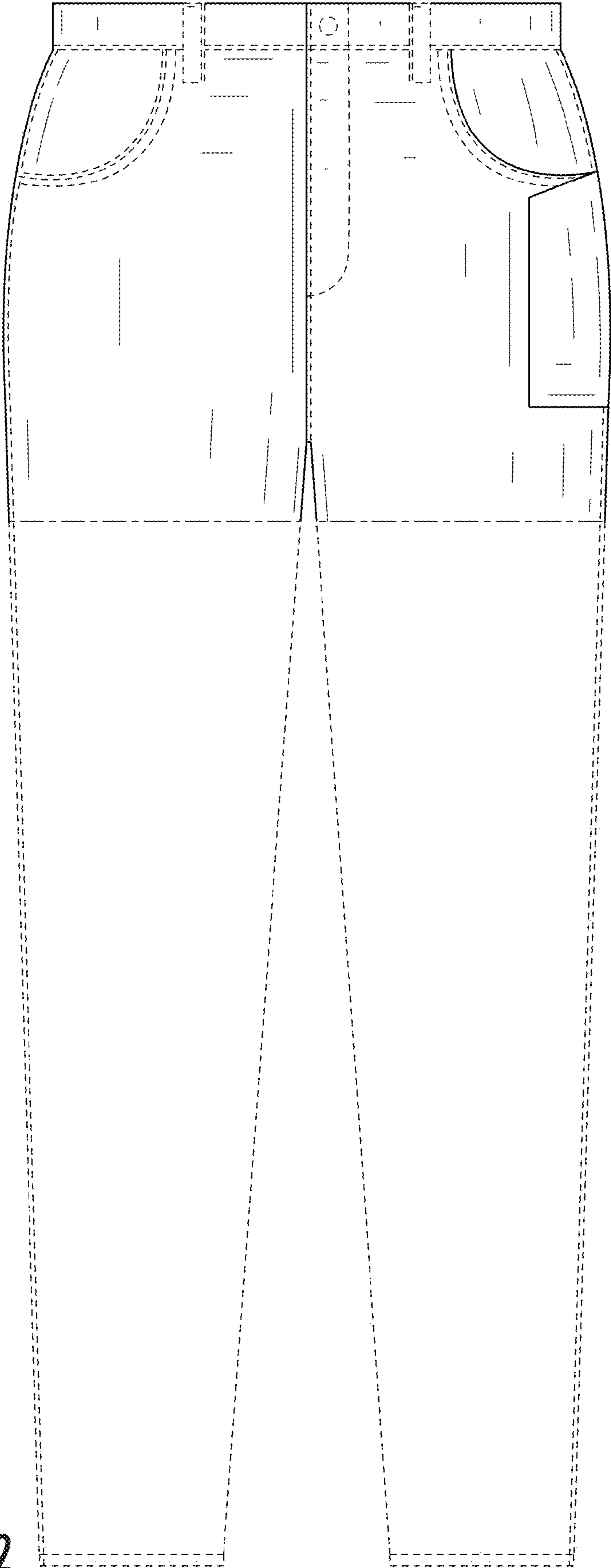


FIG. 2

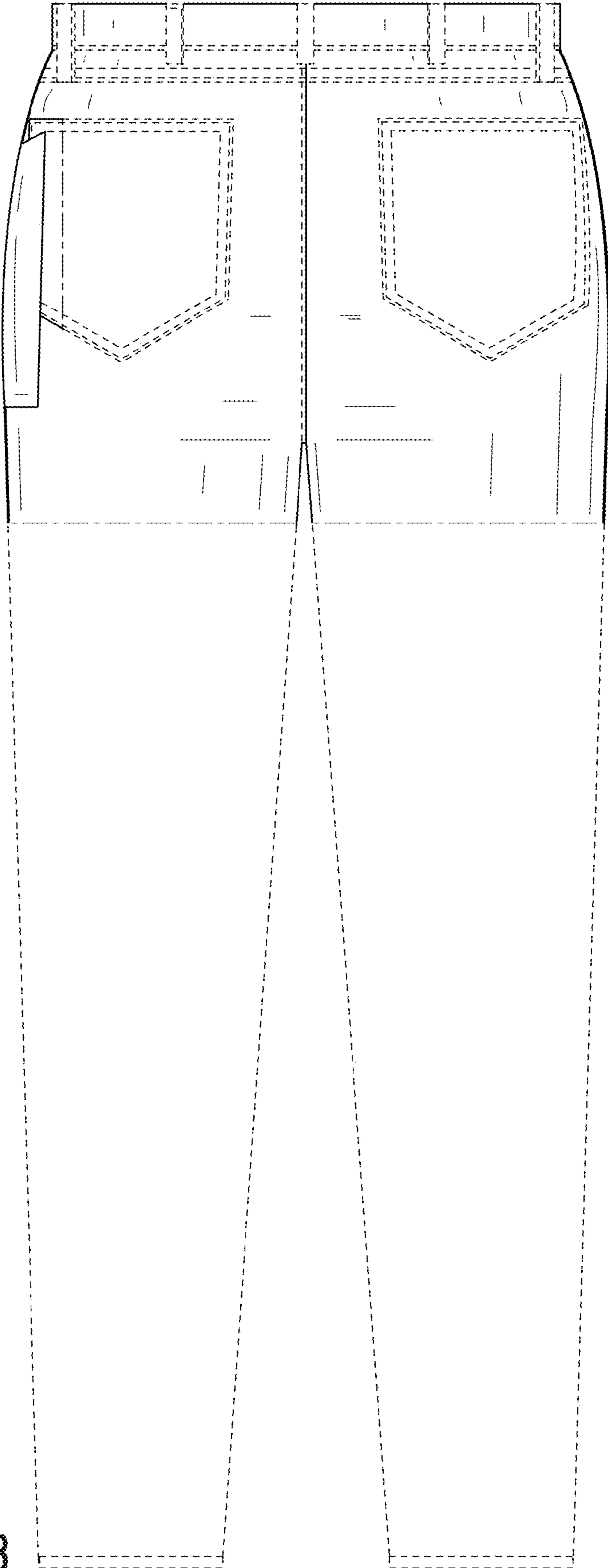


FIG. 3

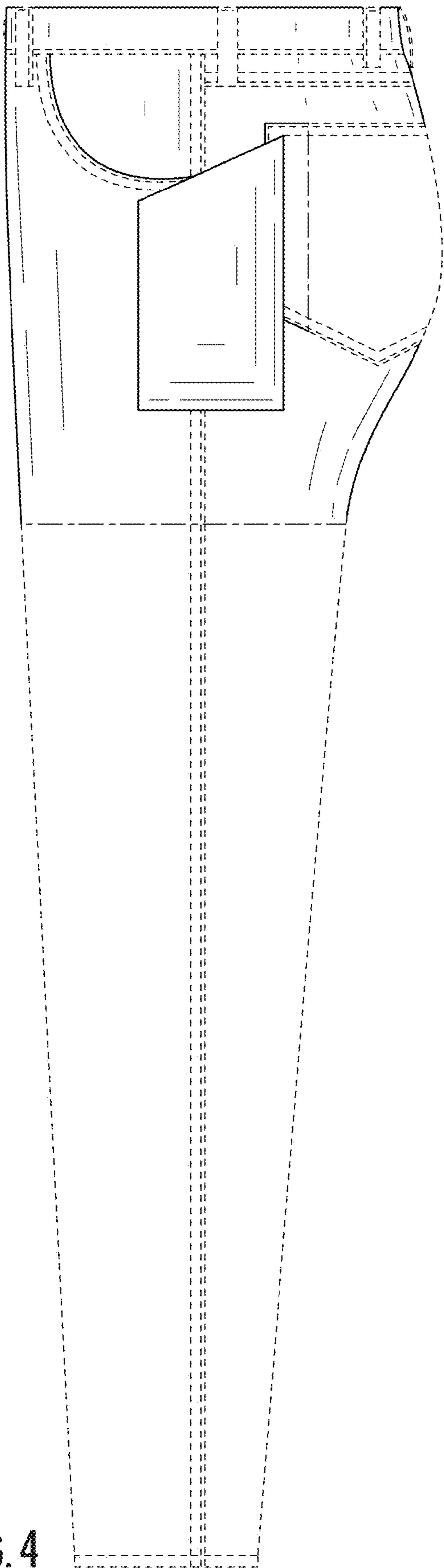


FIG. 4

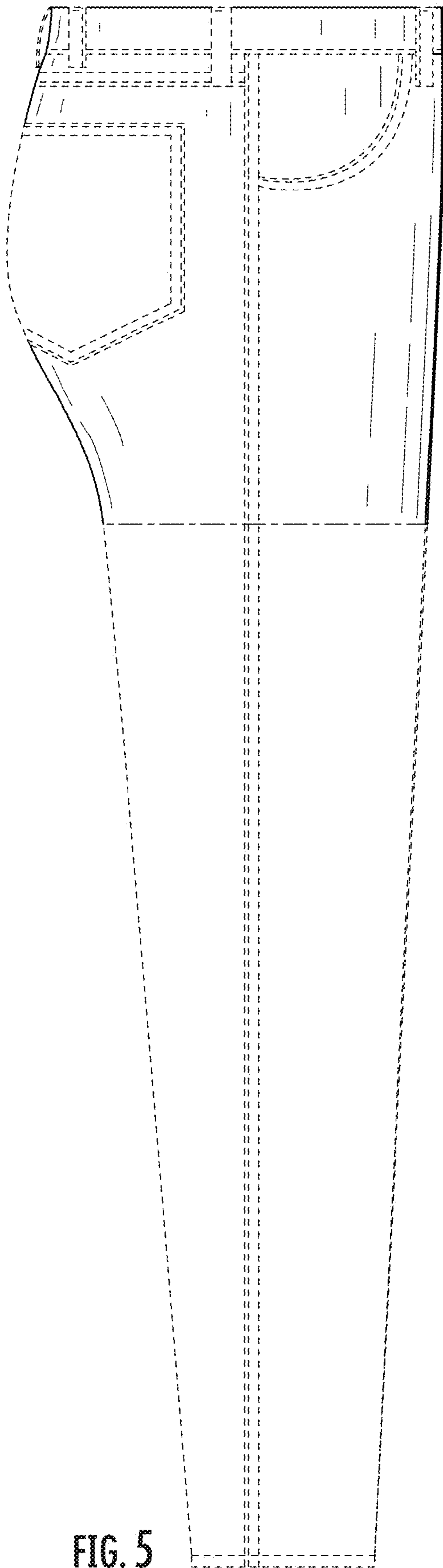


FIG. 5

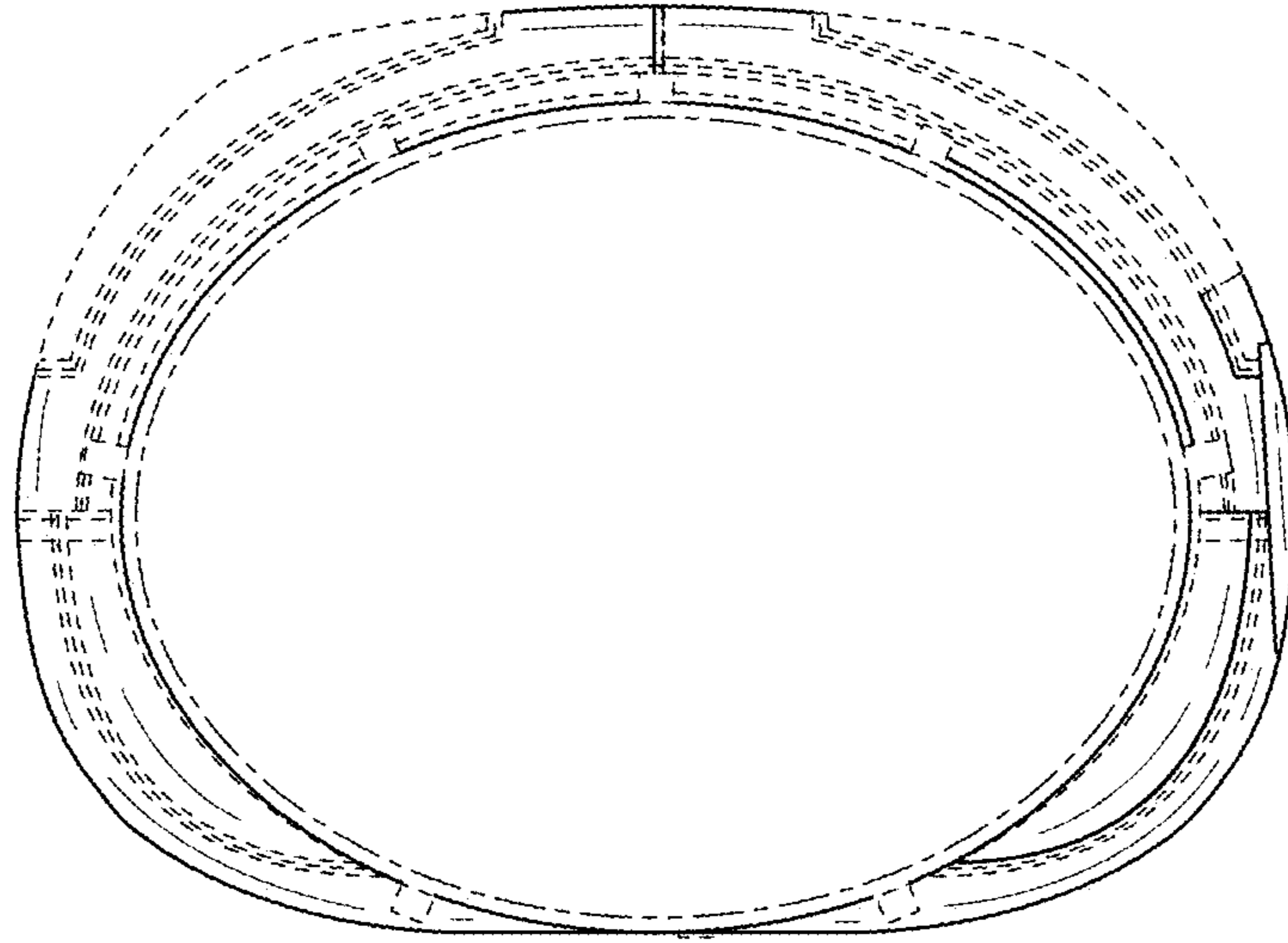


FIG. 6

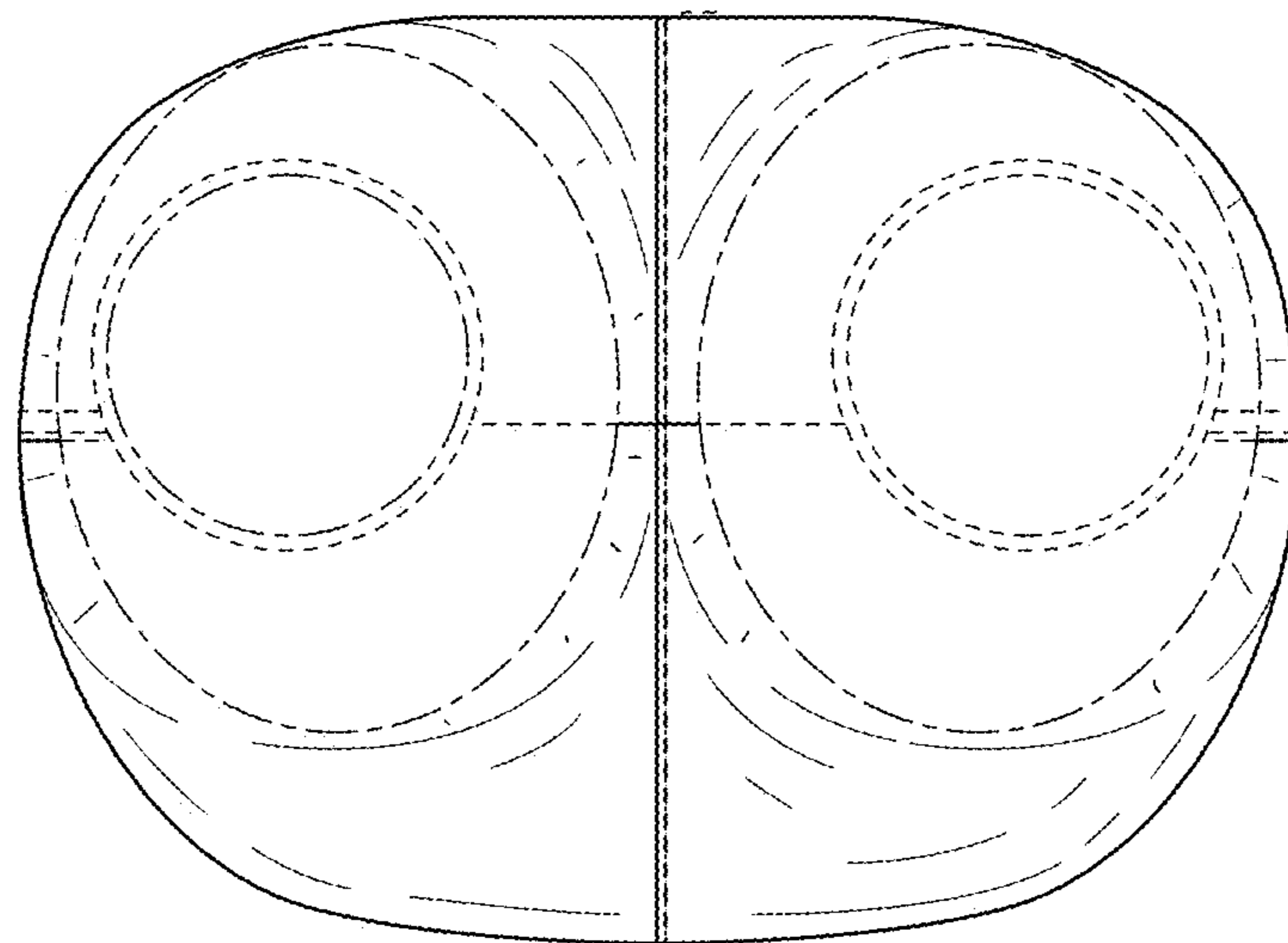


FIG. 7

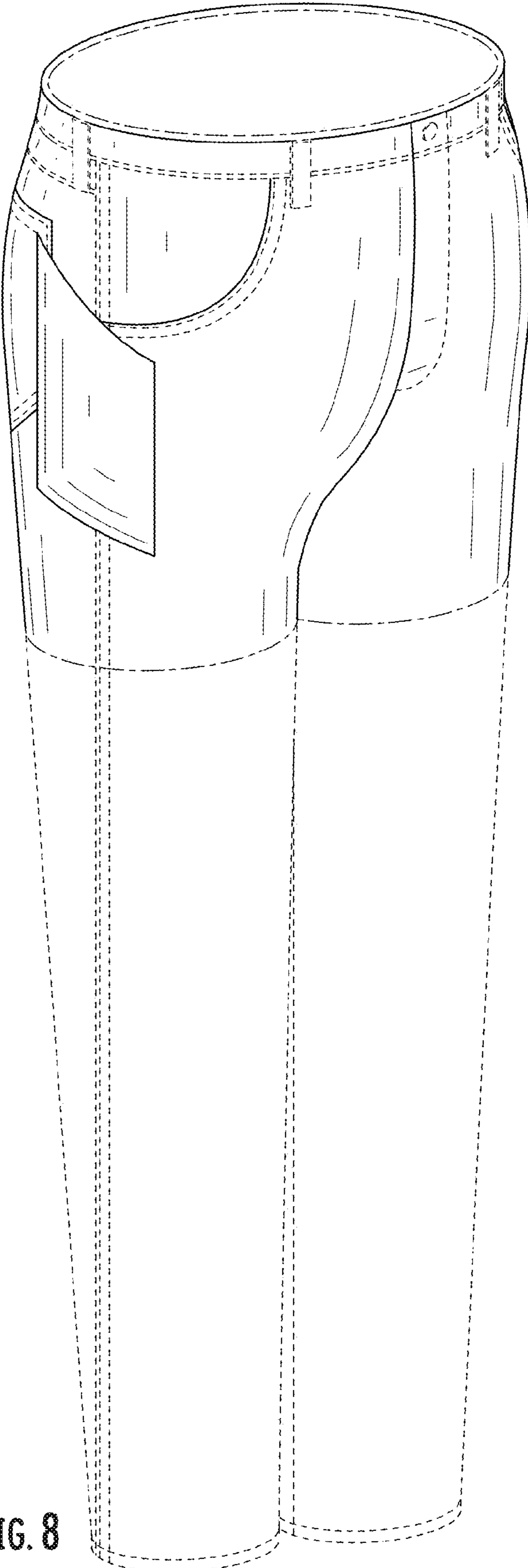


FIG. 8



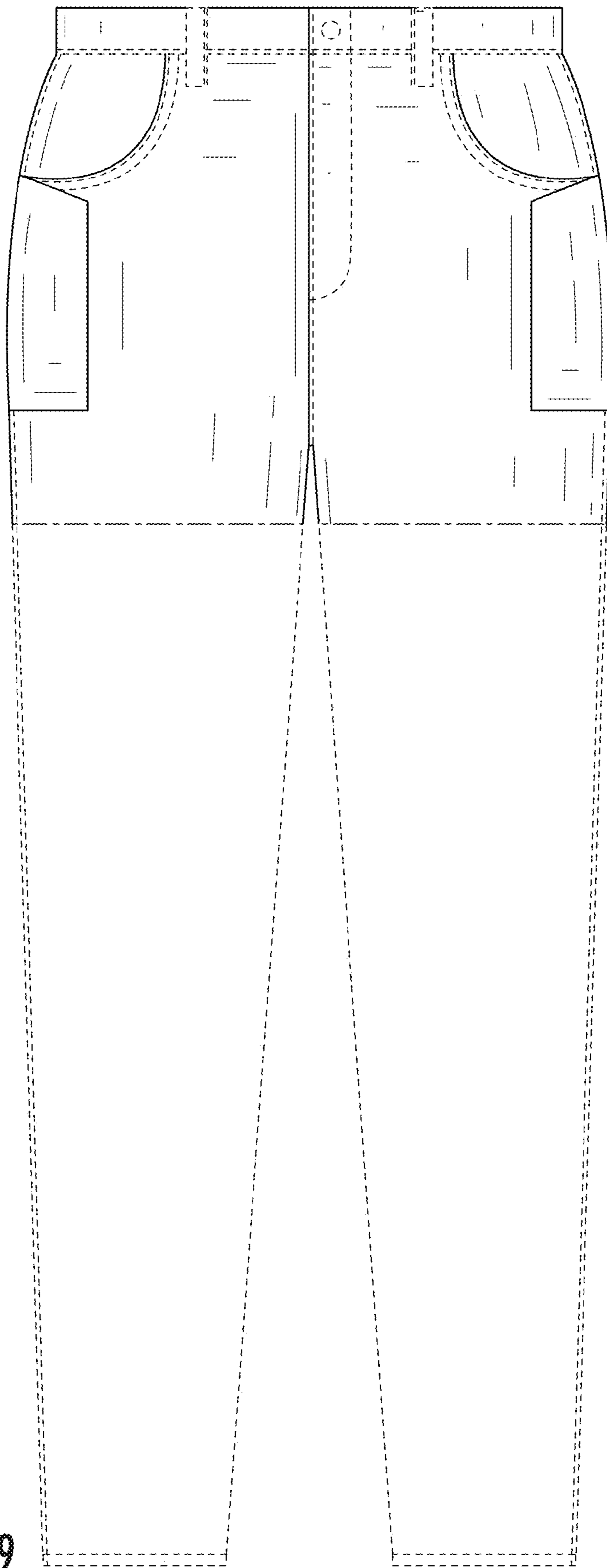


FIG. 9

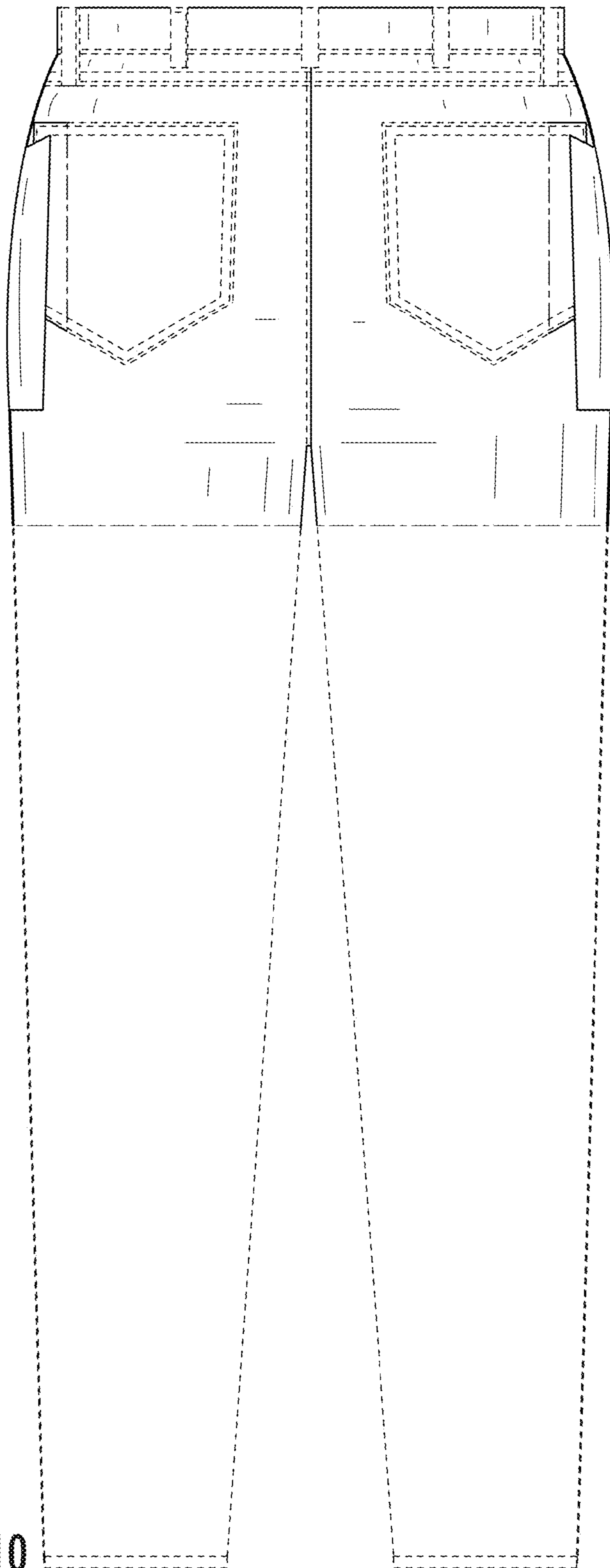


FIG. 10

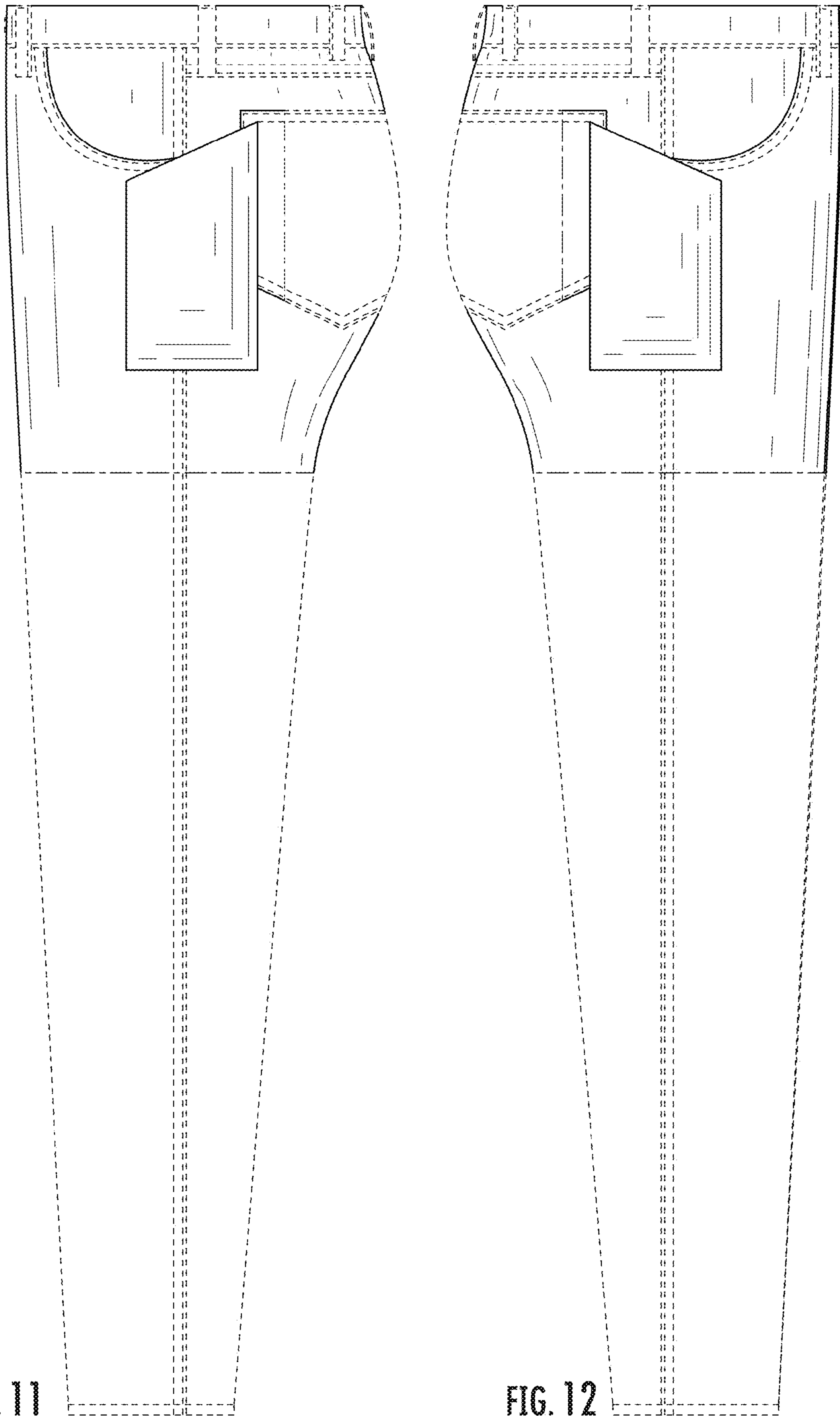


FIG. 11

FIG. 12

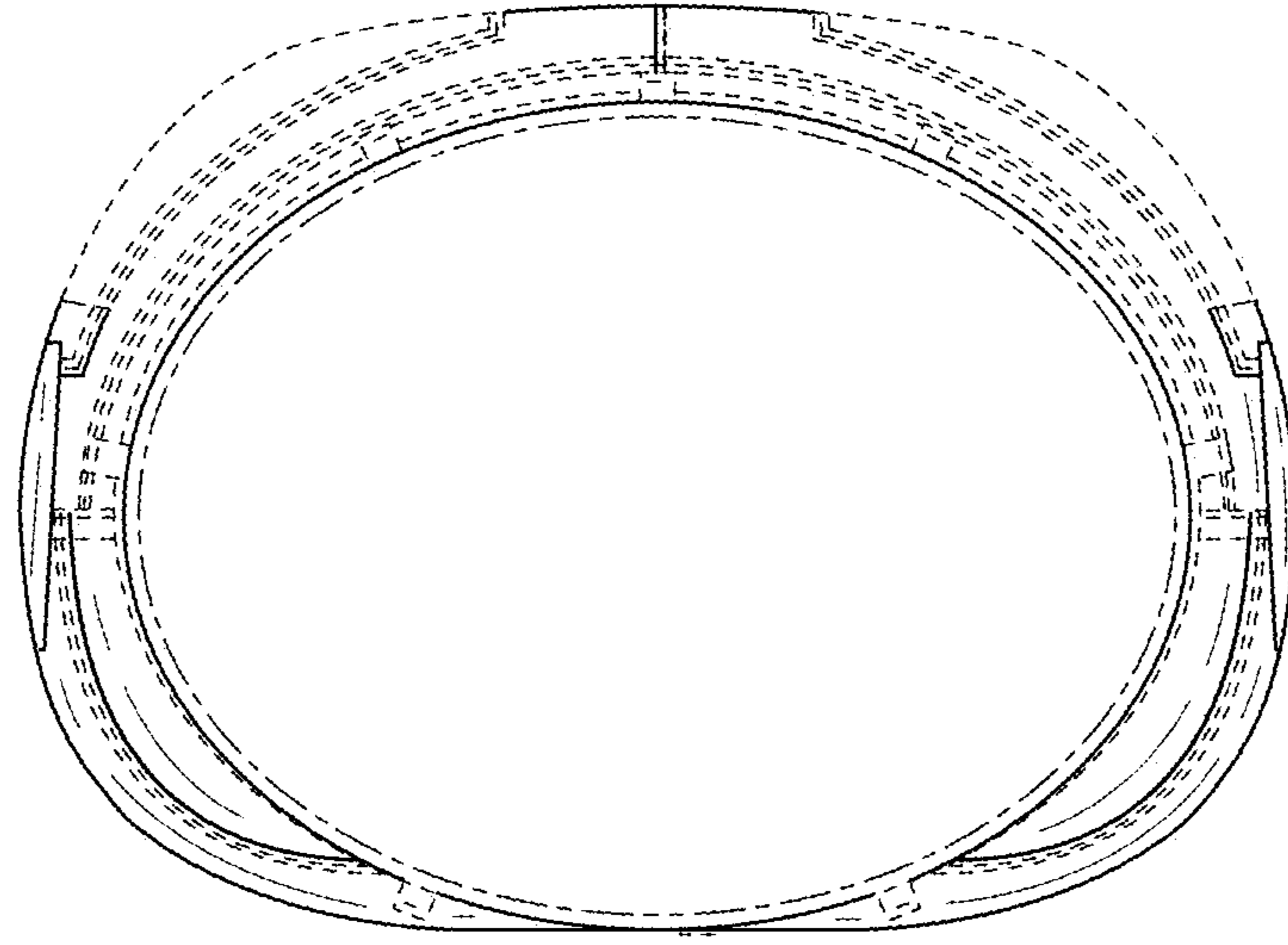


FIG. 13

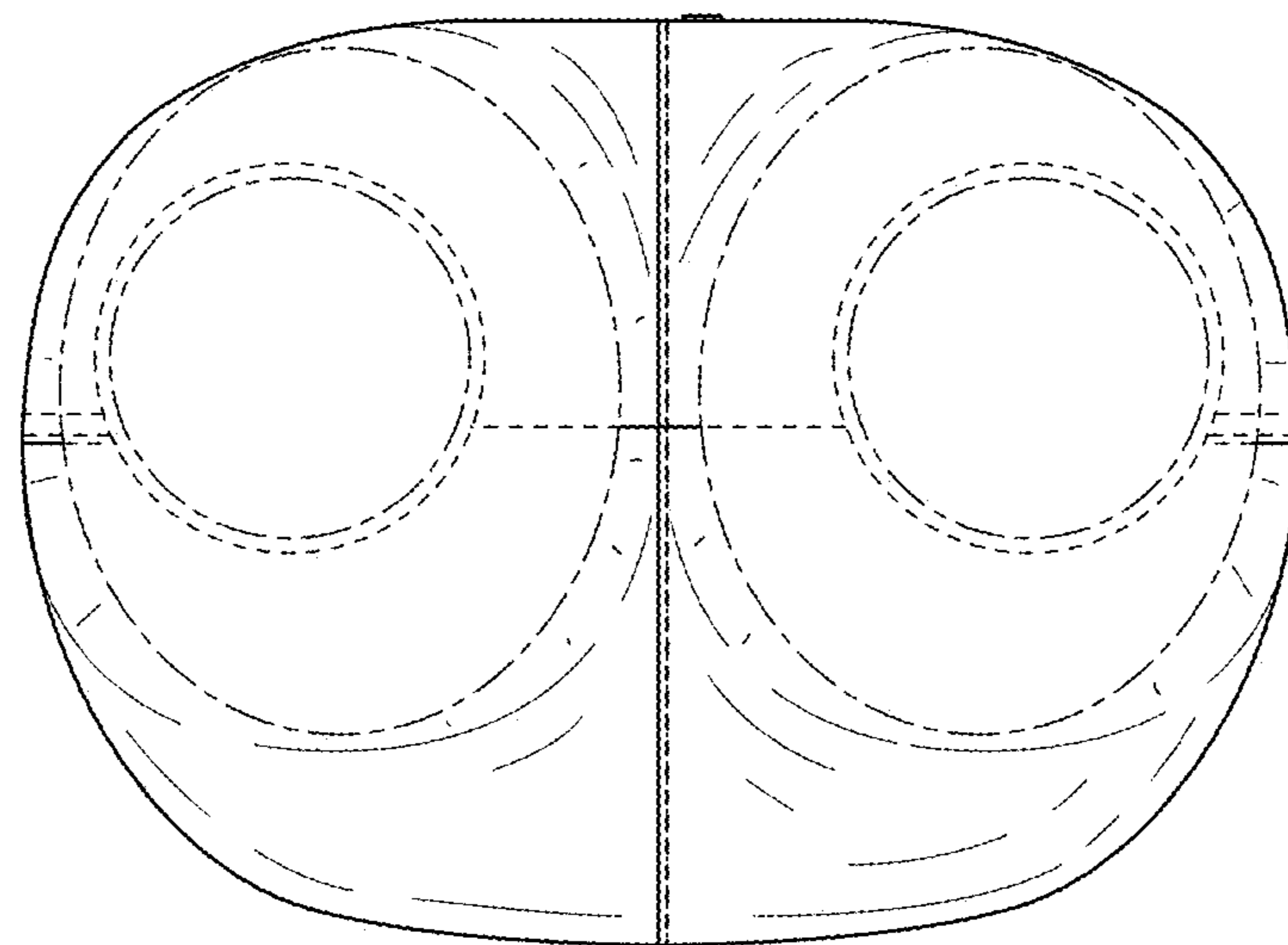


FIG. 14

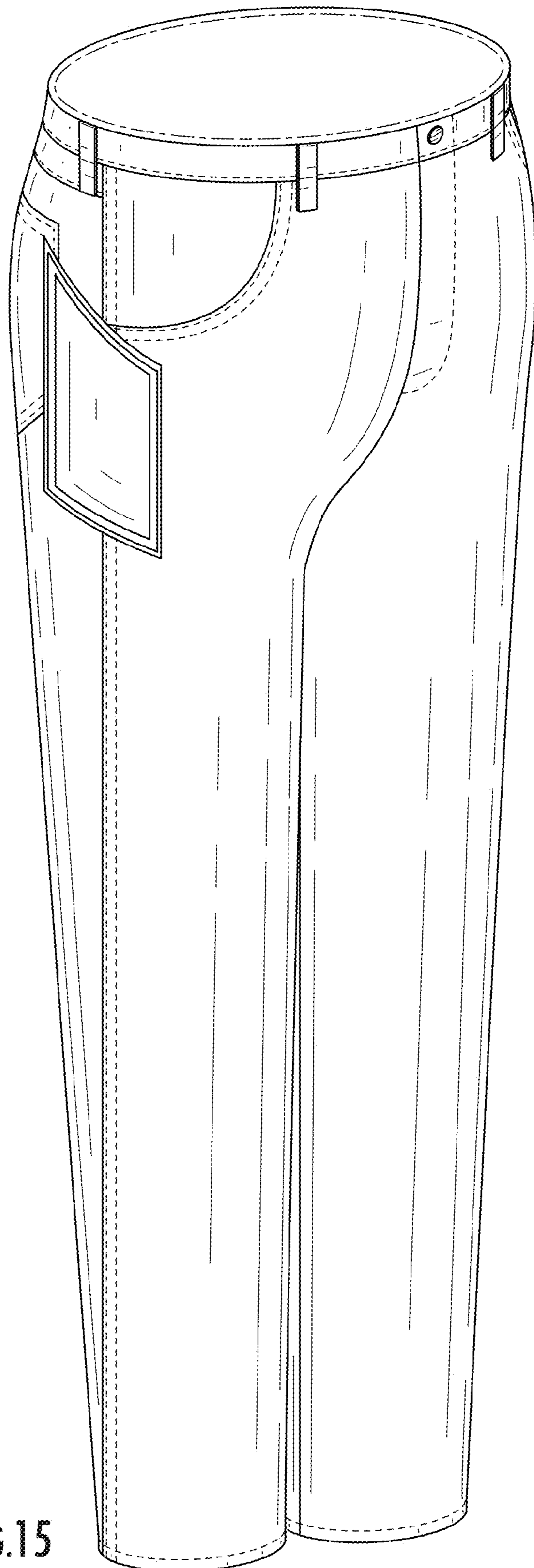


FIG. 15

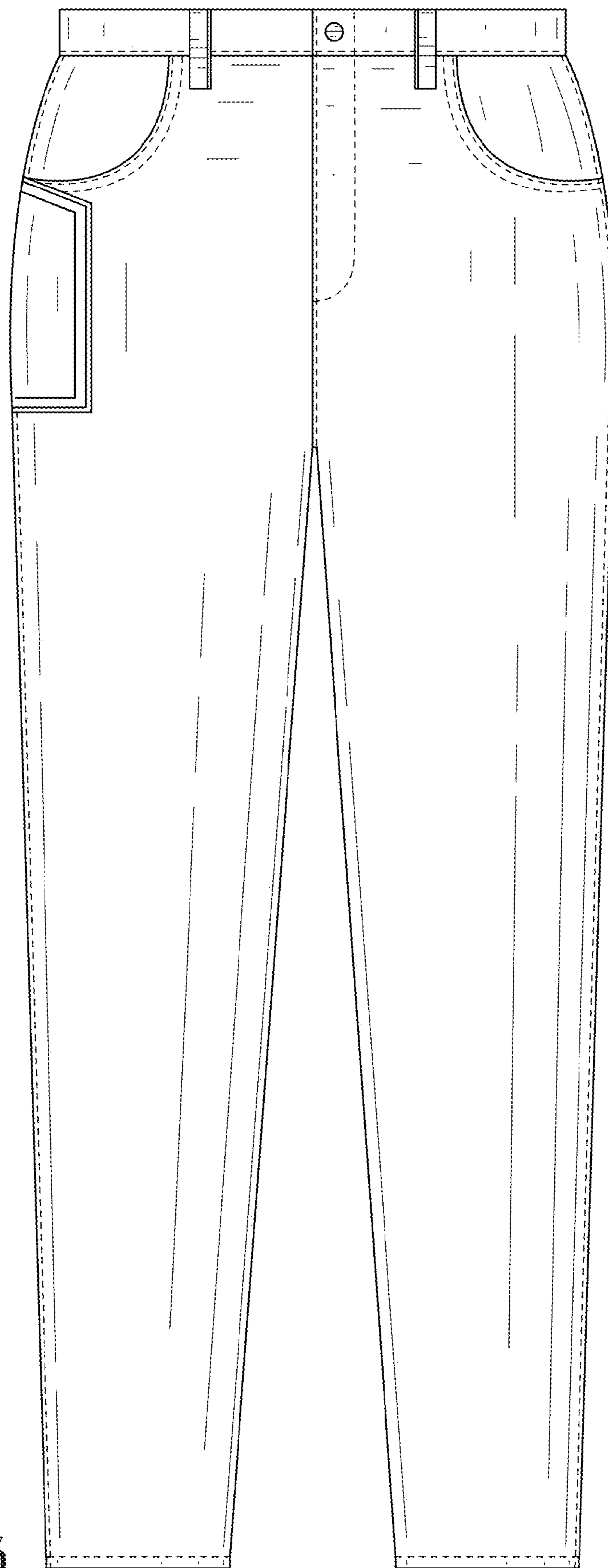


FIG. 16

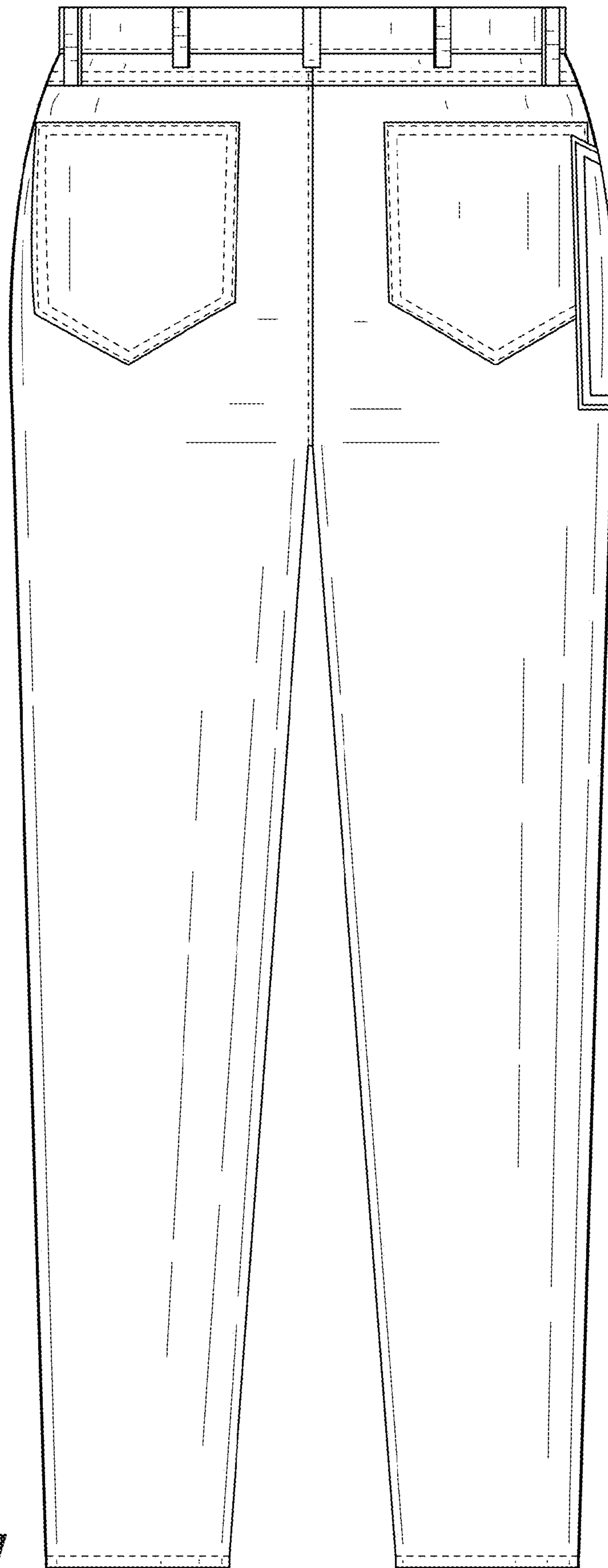


FIG. 17

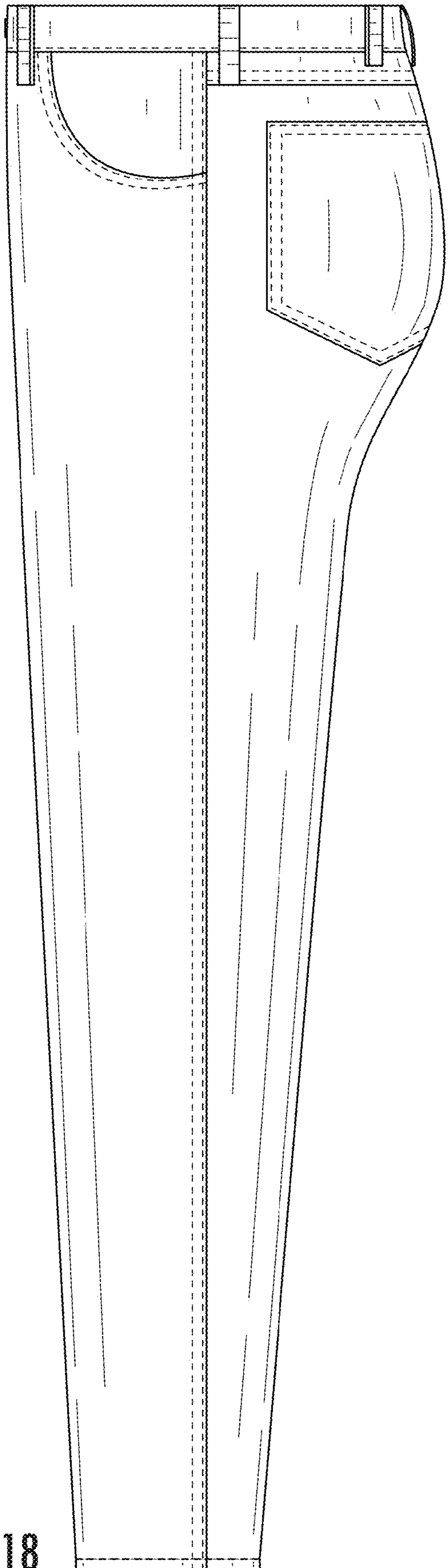


FIG. 18

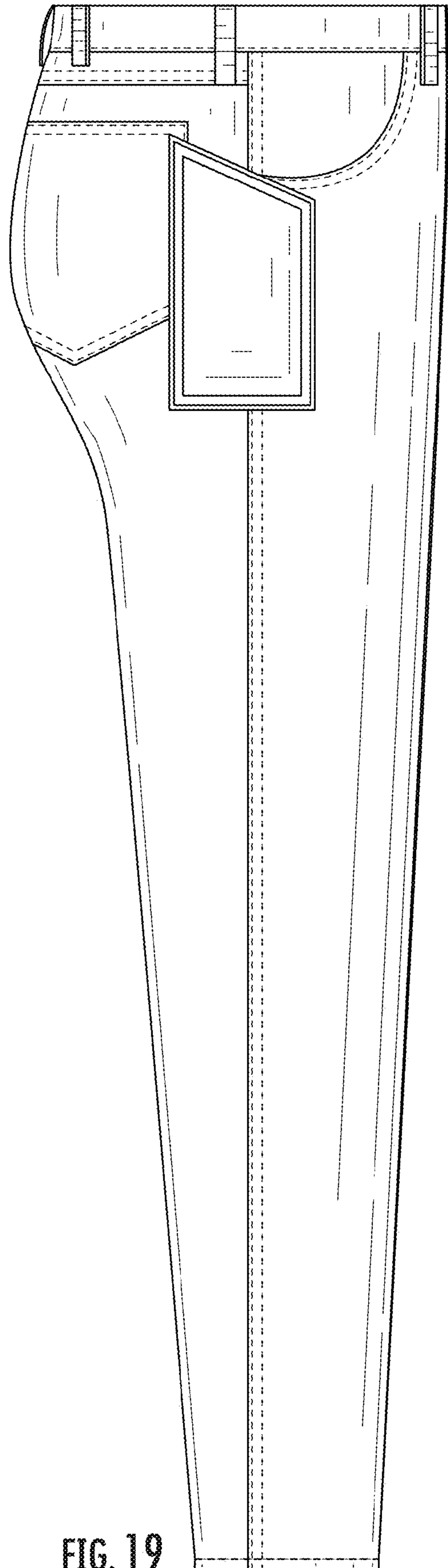


FIG. 19



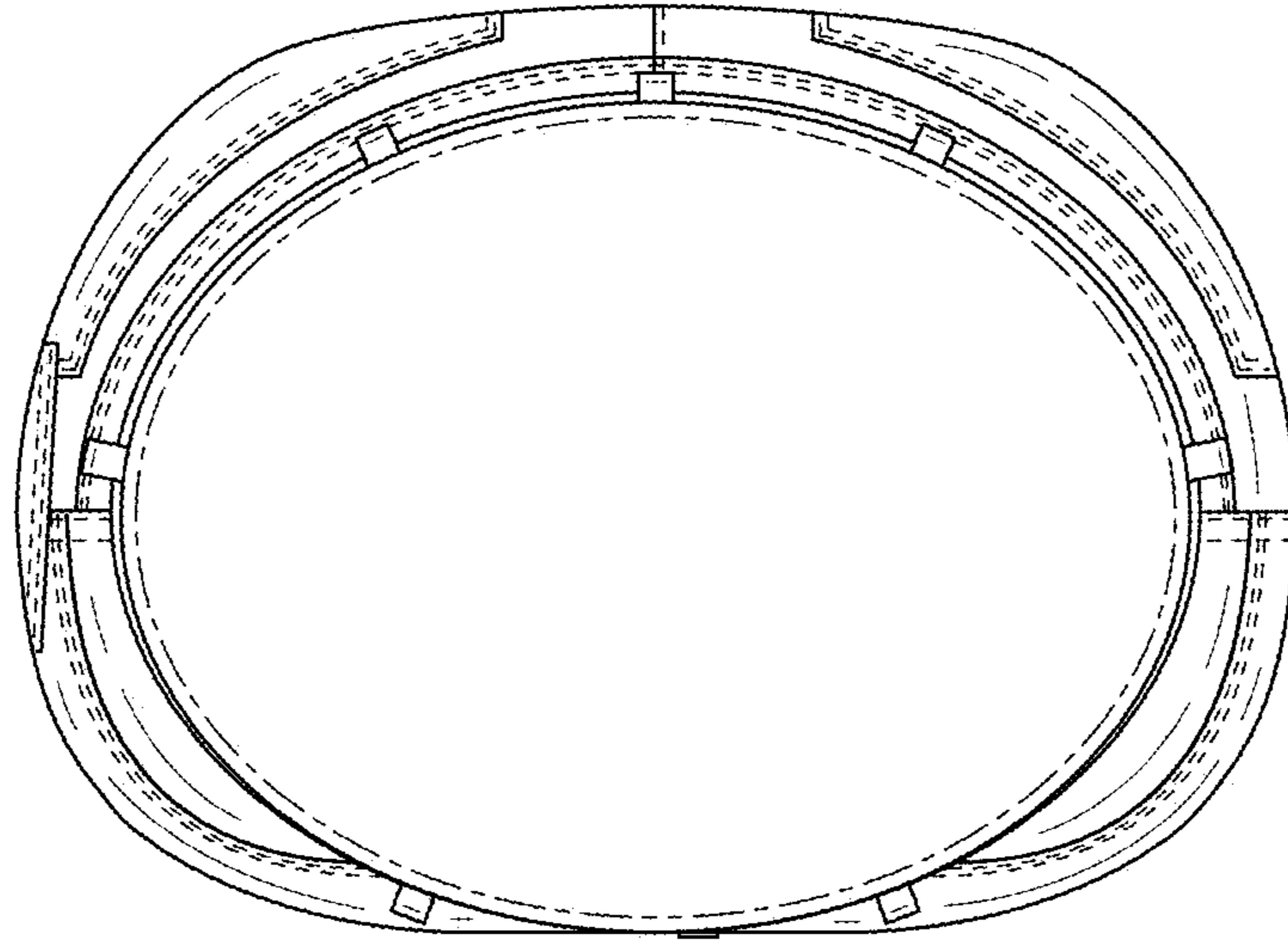


FIG. 20

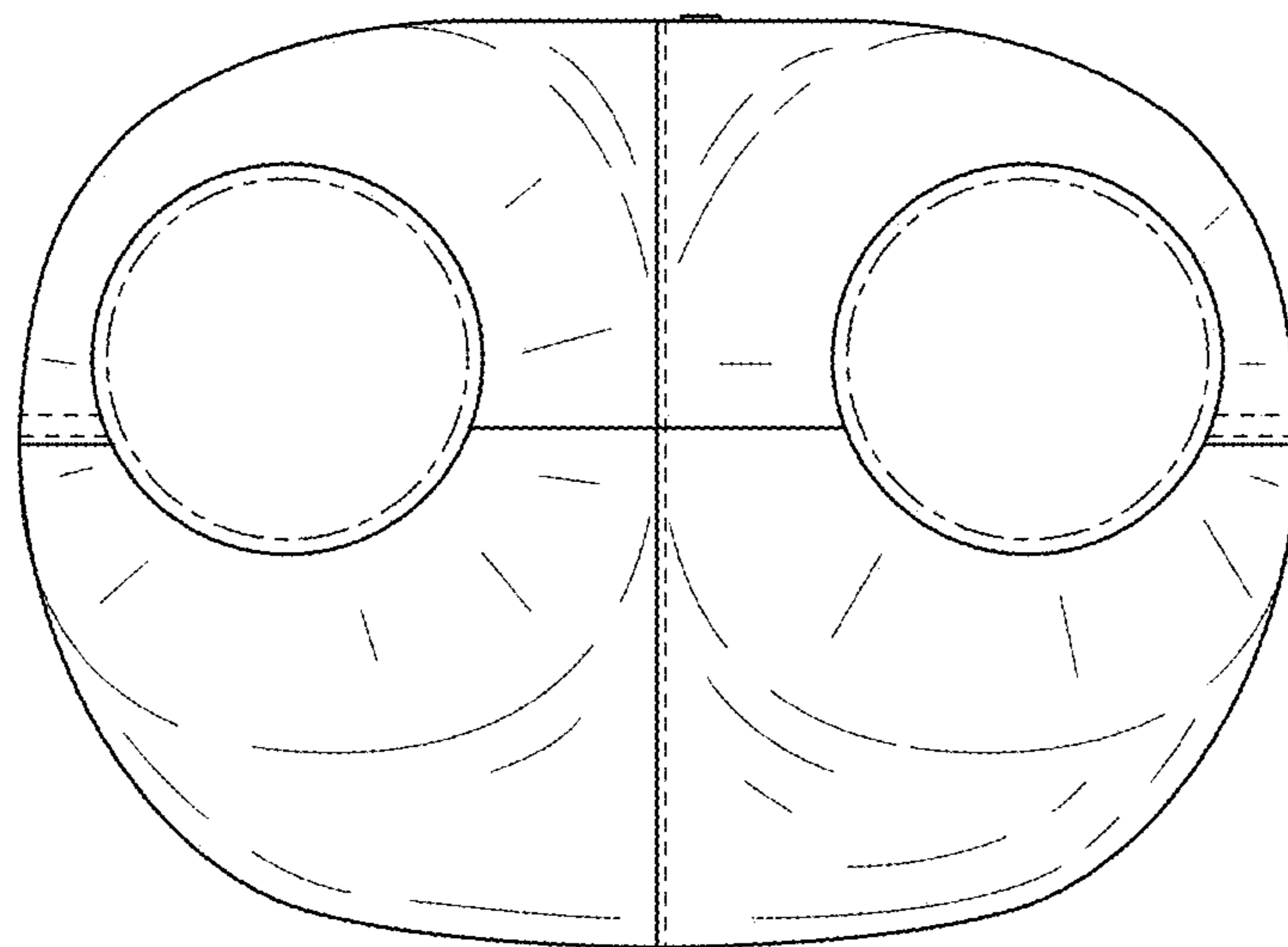


FIG. 21