



US00D924535S

(12) **United States Design Patent**  
**Culbreth**

(10) **Patent No.:** **US D924,535 S**

(45) **Date of Patent:** **\*\* Jul. 6, 2021**

(54) **LOCK BOX**

(71) Applicant: **Vaultek Safe Inc.**, Orlando, FL (US)

(72) Inventor: **Dustin Thomas Culbreth**, Savannah, GA (US)

(73) Assignee: **Vaultek Safe Inc.**, Orlando, FL (US)

(\*\*) Term: **15 Years**

(21) Appl. No.: **29/710,962**

(22) Filed: **Oct. 28, 2019**

(51) **LOC (13) Cl.** ..... **06-04**

(52) **U.S. Cl.**  
USPC ..... **D99/28; D3/294**

(58) **Field of Classification Search**  
USPC ..... D3/273, 274, 276, 294, 295, 321;  
D19/81, 83, 101, 102, 103, 106; D99/28,  
D99/34  
CPC ..... A47B 43/00; B65D 45/16; B65D 1/00;  
B65D 1/22; B65D 7/00; B65D 7/06;  
E05B 65/0075; E05B 15/603; E05B  
35/00; E05B 47/0001; E05B 49/00; E05B  
51/00; E05B 2047/0067; E05B  
2047/0072; E05G 1/026; E05G 1/04;  
G06Q 20/1085

See application file for complete search history.

(56) **References Cited**

**U.S. PATENT DOCUMENTS**

D257,584 S	*	12/1980	Finkel	206/528
D340,541 S	*	10/1993	Chen	D28/83
D411,353 S	*	6/1999	Dickinson	D3/323
D429,070 S	*	8/2000	Marshall	D28/83
D433,940 S	*	11/2000	Lindsay	D9/424
D477,714 S	*	7/2003	Cunningham	D3/273
D477,913 S	*	8/2003	Fang	D3/282
D529,289 S	*	10/2006	Roesler	D3/294
D531,798 S	*	11/2006	Ringo	D3/273
D588,799 S	*	3/2009	Garland	D3/205
D639,058 S	*	6/2011	Chiu	D3/282

D736,516 S	*	8/2015	Pennington	D3/201
D761,023 S	*	7/2016	Tramontana	D3/294
D795,874 S	*	8/2017	Szeremeta	D14/432

(Continued)

**OTHER PUBLICATIONS**

Facebook user VaultekSafe “LifePod—The Go Anywhere Safe” video, posted Sep. 23, 2019, [online], [site visited Nov. 18, 2020] Available at internet URL: [https://www.facebook.com/vaulteksafe/videos/975328886165294/?\\_so\\_=channel\\_tab&\\_rv\\_=all\\_videos\\_card](https://www.facebook.com/vaulteksafe/videos/975328886165294/?_so_=channel_tab&_rv_=all_videos_card) (Year: 2019).\*

(Continued)

*Primary Examiner* — Jeffrey D Asch

*Assistant Examiner* — Caitlin Ann Laverty

(74) *Attorney, Agent, or Firm* — Nelson Mullins Riley & Scarborough LLP

(57) **CLAIM**

The ornamental design for a lock box, substantially as shown and described.

**DESCRIPTION**

FIG. 1 is a left side front perspective view of a lock box embodying the present design.

FIG. 2 is a top plan view of the lock box illustrated in FIG. 1.

FIG. 3 is a bottom plan view of the lock box illustrated in FIG. 1.

FIG. 4 is a right side elevational view of the lock box illustrated in FIG. 1.

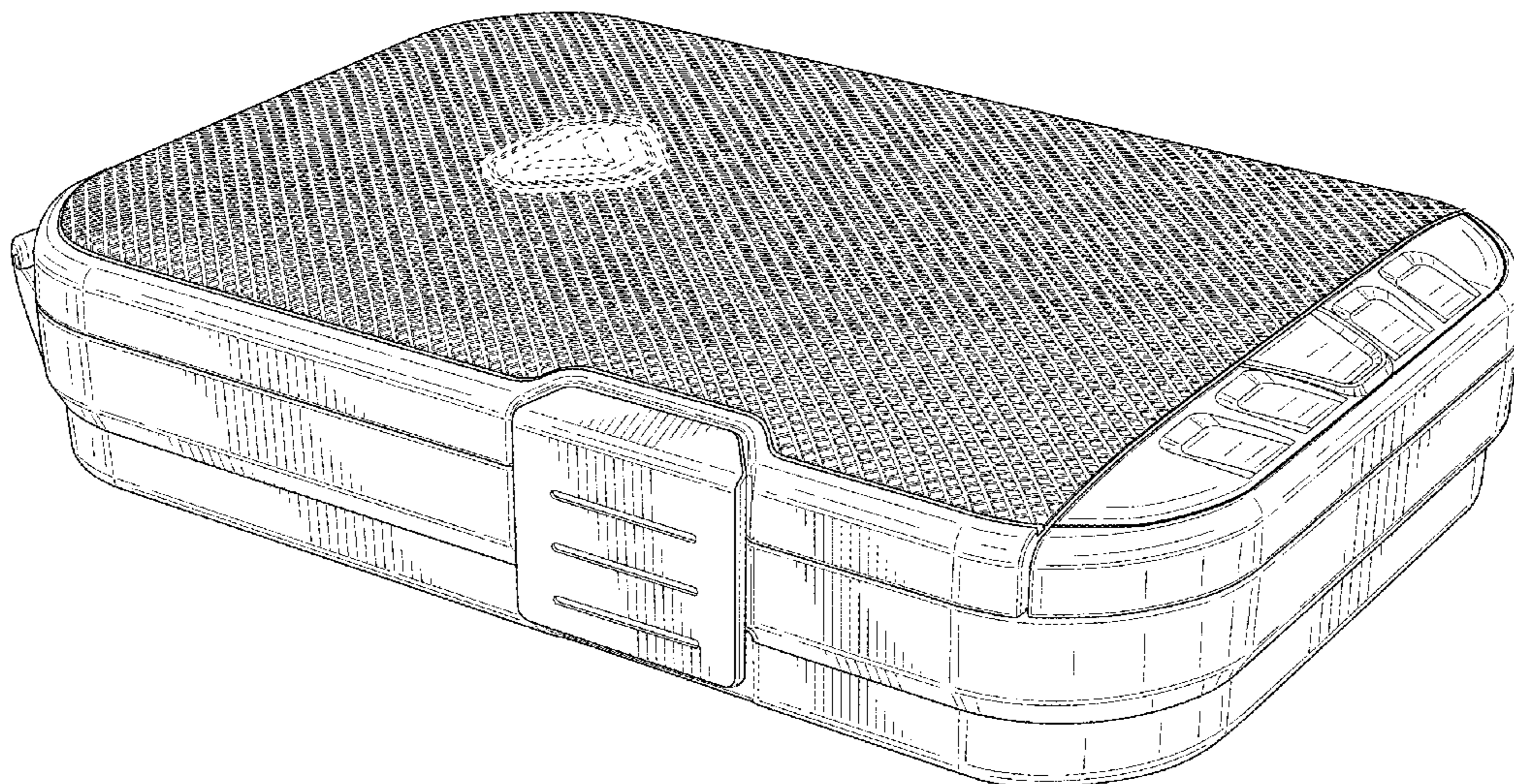
FIG. 5 is a left side elevational view of the lock box illustrated in FIG. 1.

FIG. 6 is a front side elevational view of the lock box illustrated in FIG. 1; and,

FIG. 7 is a rear side elevational view of the lock box illustrated in FIG. 1.

The portions shown in broken lines form no part of the claimed design.

**1 Claim, 7 Drawing Sheets**



(56)

**References Cited**

U.S. PATENT DOCUMENTS

D817,589 S \* 5/2018 Culbreth ..... D99/28  
 D839,583 S \* 2/2019 Cao ..... D3/201  
 10,253,529 B1 \* 4/2019 McGinn ..... E05B 47/0001  
 D858,989 S \* 9/2019 Kim ..... D3/294  
 D873,017 S \* 1/2020 Seibert ..... D3/294  
 D894,601 S \* 9/2020 Haynes ..... D3/294  
 D904,724 S \* 12/2020 Zhang ..... D99/28  
 10,909,787 B2 \* 2/2021 Jeruchim ..... G07C 9/00  
 2006/0201833 A1 \* 9/2006 Chen ..... B25H 3/06  
 2008/0062636 A1 \* 3/2008 Liu ..... G06F 1/187  
 2011/0036735 A1 \* 2/2011 Cho ..... A45C 13/36  
 2013/0128560 A1 \* 5/2013 Werner ..... B25H 3/02  
 2014/0311390 A1 \* 10/2014 Blankenship ..... E05B 37/0034  
 2018/0080259 A1 \* 3/2018 Yuan ..... A45C 13/18  
 2018/0274281 A1 \* 9/2018 Bernkrant ..... E05G 1/10

2018/0335275 A1 \* 11/2018 Mack ..... E05B 65/0075  
 2019/0085595 A1 \* 3/2019 Ervin ..... F41C 33/06  
 2019/0375551 A1 \* 12/2019 Bell ..... B65D 1/22

OTHER PUBLICATIONS

Vaultek LifePod Secure Waterproof Travel Case . . . , first available Sep. 12, 2019, amazon.com [online], [site visited Nov. 9, 2020], Available from internet URL: <https://www.amazon.com/Vaultek-Waterproof-Electronic-Organizer-Portable/dp/B07XTM67J8> (Year: 2019).\*

Vaultek LifePod, first available Sep. 25, 2019, youtube.com [online], [site visited Nov. 9, 2020], Available from internet URL: <https://www.youtube.com/watch?v=qBF7GcP1ErY> (Year: 2019).\*

Facebook video post by Vaultek Safe (@vaulteksafe), published at <https://www.facebook.com/vaulteksafe/posts/> on Sep. 23, 2019, all enclosed pages cited.

Facebook photo post by Vaultek Safe (@vaulteksafe), published at <https://www.facebook.com/vaulteksafe/posts/> on Sep. 23, 2019, all enclosed pages cited.

\* cited by examiner

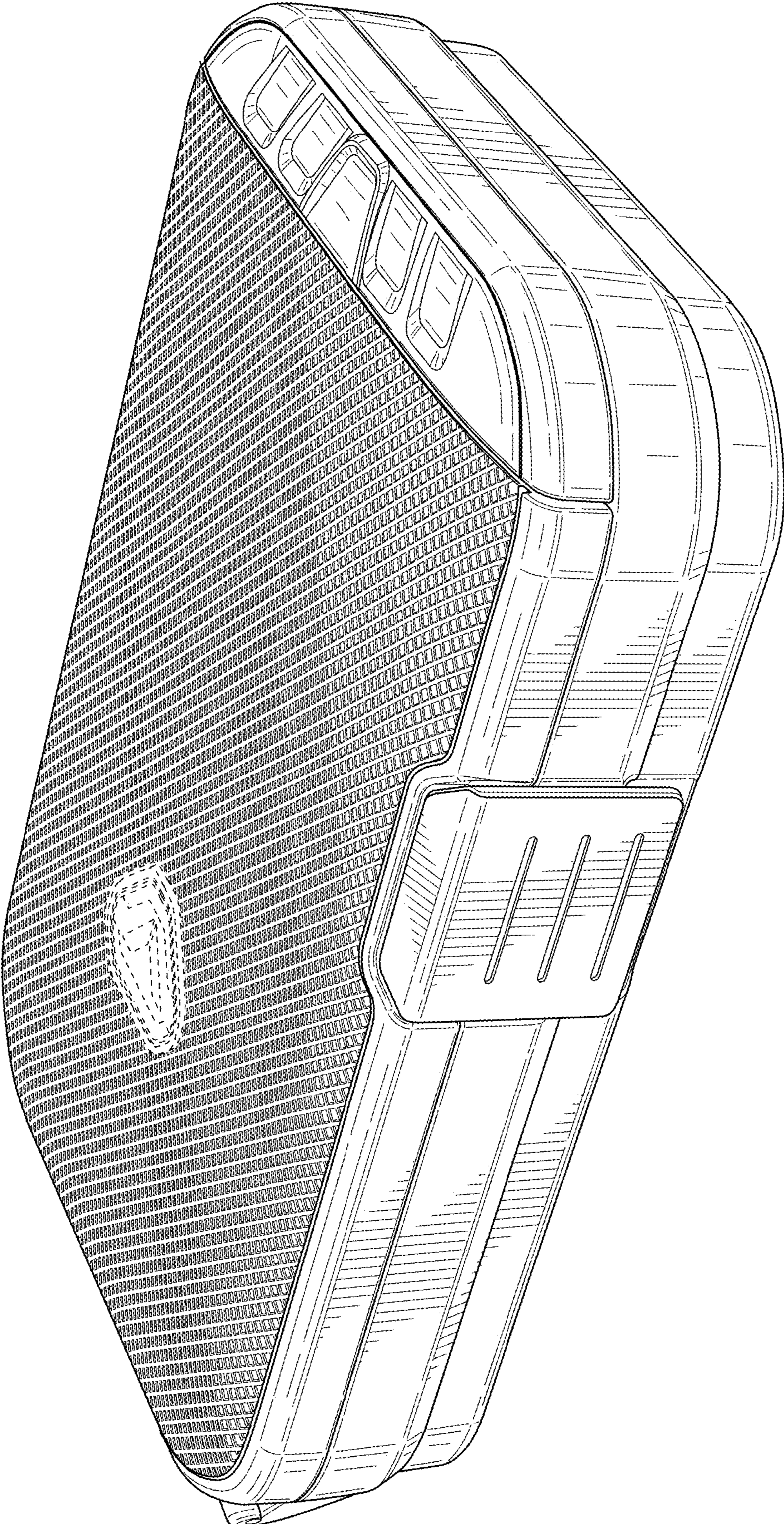


FIG. 1

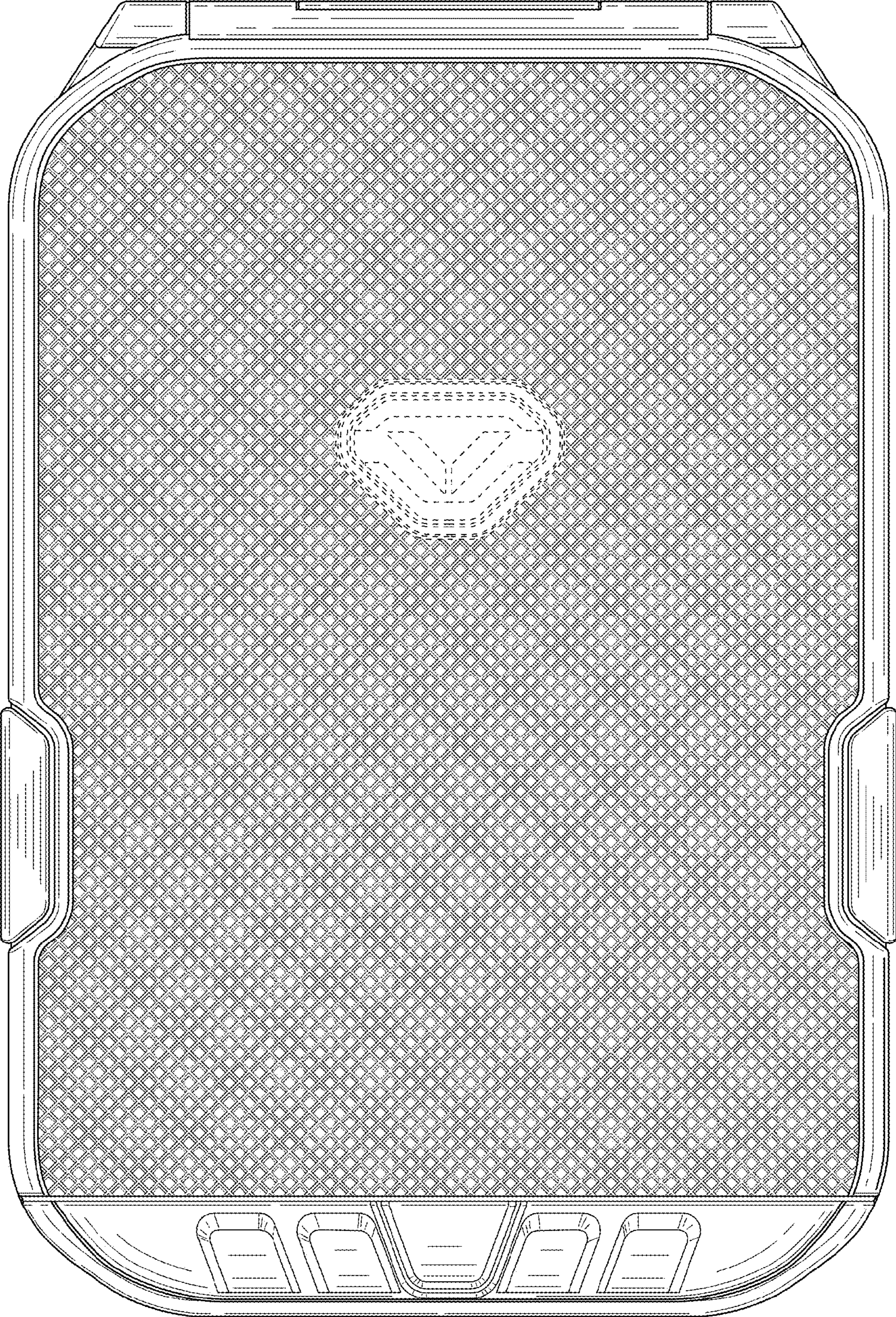


FIG. 2

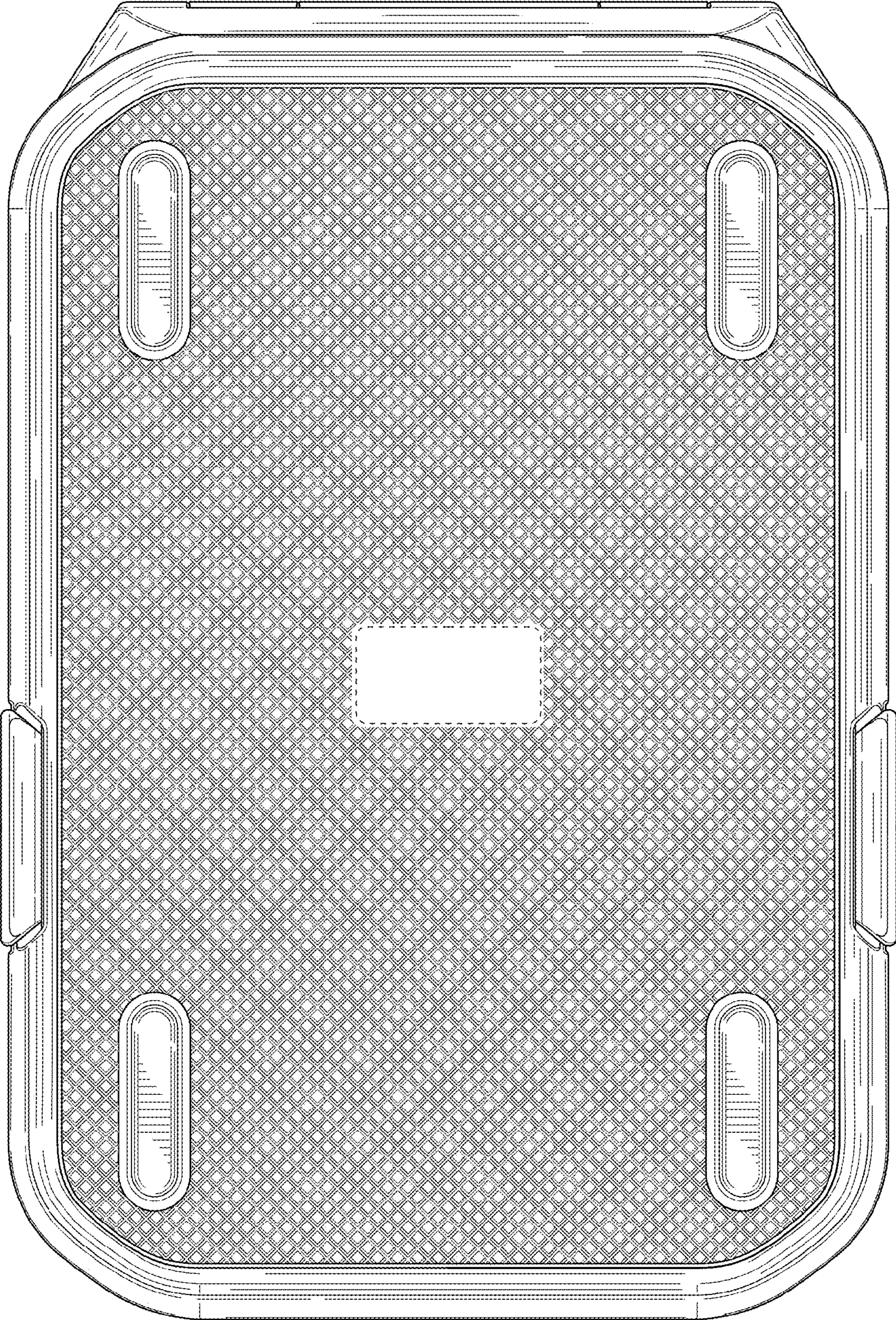


FIG. 3

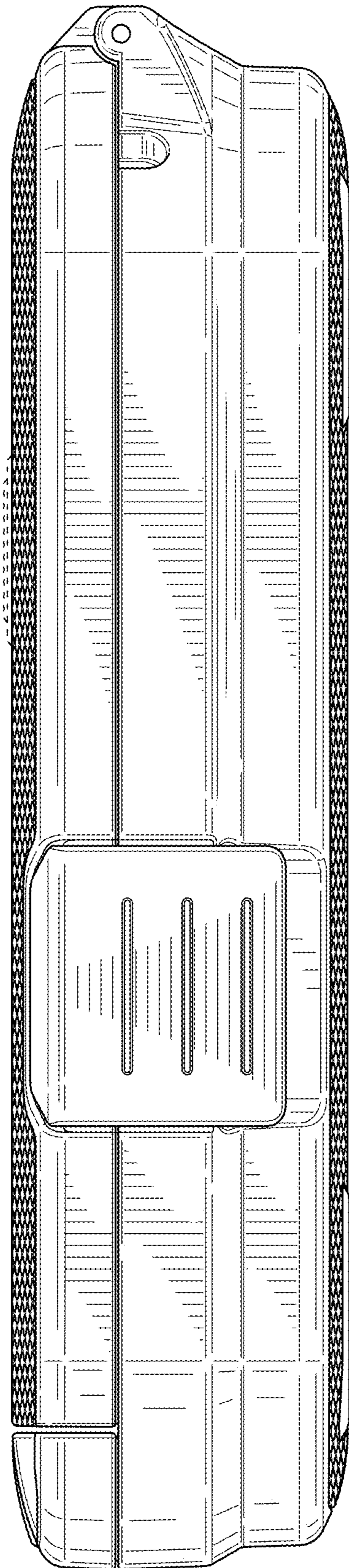


FIG. 4

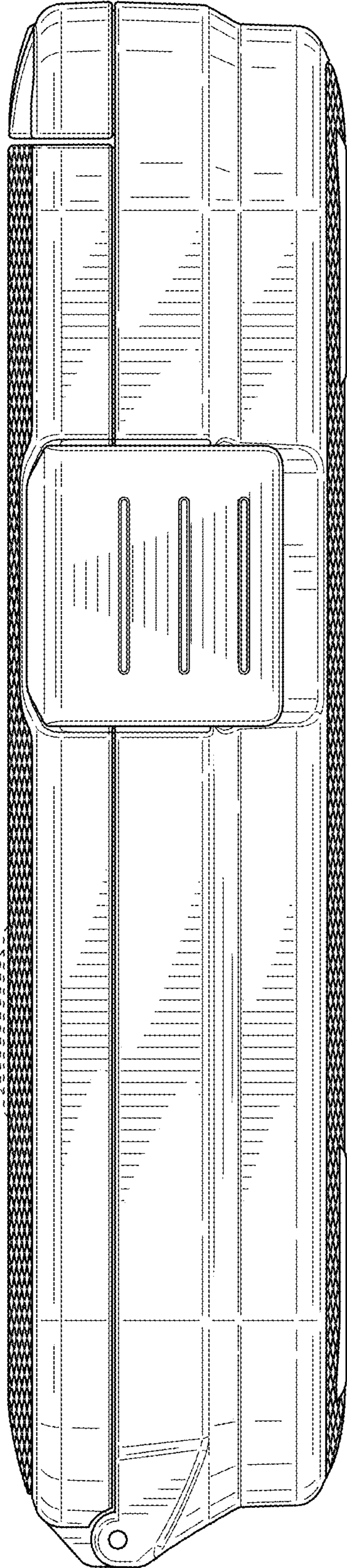


FIG. 5

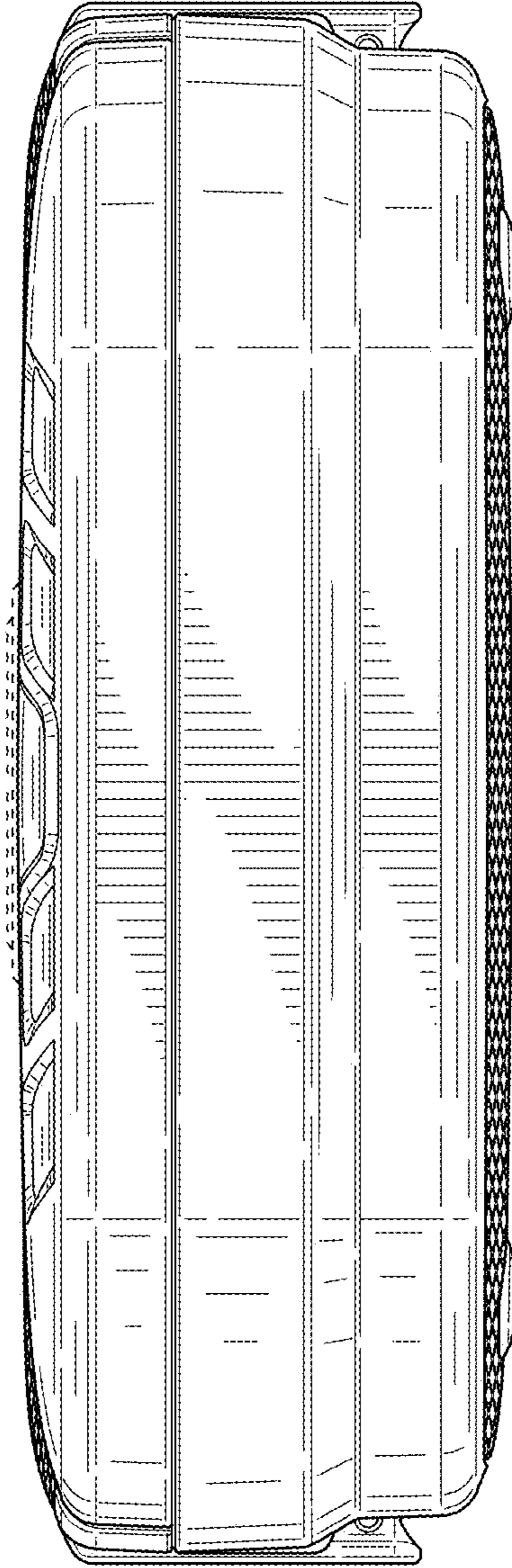


FIG. 6



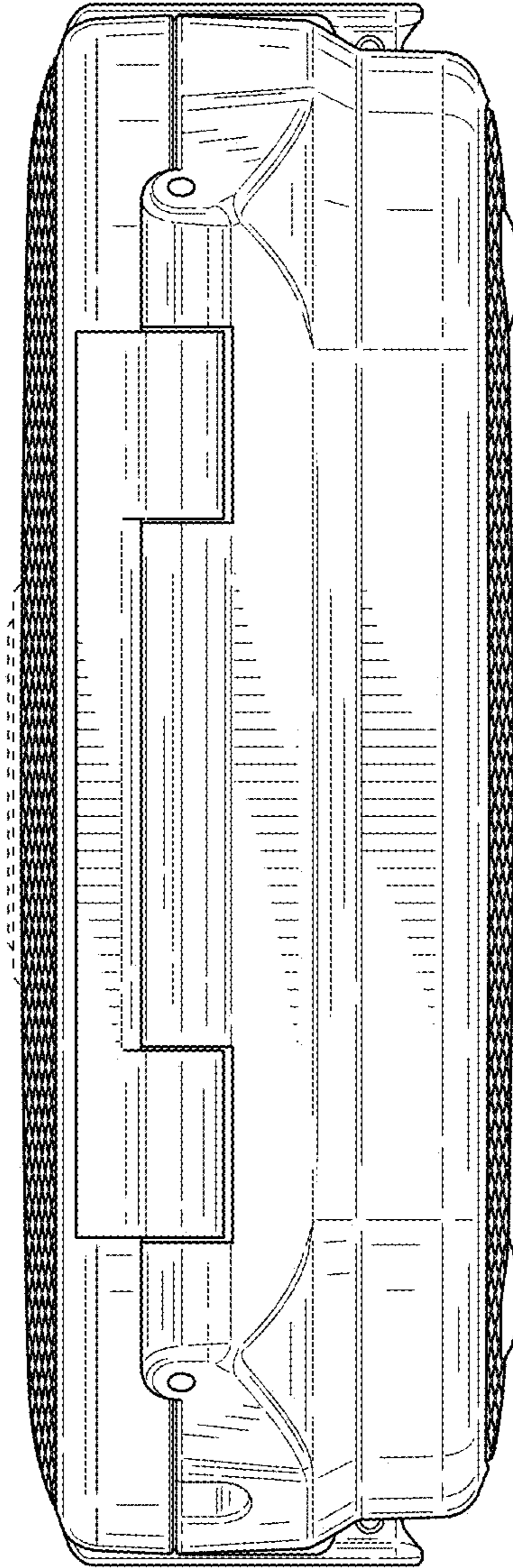


FIG. 7