



US00D924534S

(12) **United States Design Patent** (10) **Patent No.:** **US D924,534 S**
Lee et al. (45) **Date of Patent:** **** Jul. 6, 2021**

(54) **AUTOMATED TELLER MACHINE**
(71) Applicant: **HYOSUNG TNS INC.**, Seoul (KR)
(72) Inventors: **Hee Youn Lee**, Gyeonggi-Do (KR); **Jae Min Park**, Gyeonggi-Do (KR); **Jae Min Cha**, Gyeonggi-Do (KR)
(73) Assignee: **HYOSUNG TNS INC.**, Seoul (KR)
(**) Term: **15 Years**
(21) Appl. No.: **29/670,388**
(22) Filed: **Nov. 15, 2018**
(30) **Foreign Application Priority Data**
May 24, 2018 (KR) 30-2018-0024061
(51) **LOC (13) Cl.** **20-01**
(52) **U.S. Cl.**
USPC **D99/28**
(58) **Field of Classification Search**
USPC D6/661-661.2; D14/302-307, 900-902;
D20/1-9; D21/325, 332, 369, 370;
D99/28
CPC G06Q 20/18; G07F 7/00; G07F 7/025;
G07F 7/08; G07F 7/12; G07F 11/00;
G07F 11/02; G07F 11/62; G07F 11/165;
G07F 7/069; G07F 17/00; G07F 17/40
See application file for complete search history.

(56) **References Cited**
U.S. PATENT DOCUMENTS
D592,825 S * 5/2009 Kang D99/28
7,959,072 B1 * 6/2011 Jenkins G07F 19/20
235/379
D645,223 S * 9/2011 Bleck D99/28
8,181,857 B1 * 5/2012 Lute G07F 19/20
235/379

D674,985 S * 1/2013 Lee D99/28
D716,515 S * 10/2014 Cha D99/28
D769,570 S * 10/2016 Kraft D99/28
D769,571 S * 10/2016 Lee D99/28
D769,572 S * 10/2016 Park D99/28
D792,049 S * 7/2017 Oh D99/28
D803,507 S * 11/2017 Park D99/28
D825,133 S * 8/2018 Park D99/28
D825,134 S * 8/2018 Birnie D99/28
D826,514 S * 8/2018 Park D99/28
D828,674 S * 9/2018 Cha D99/28
D832,553 S * 10/2018 Angelopoulos D99/28
D833,704 S * 11/2018 Kraft D99/28
D839,529 S * 1/2019 Nelson D99/28
D853,077 S * 7/2019 Ku D99/28
D883,605 S * 5/2020 Lee D99/28
2006/0073883 A1 * 4/2006 Franks, Jr. G07F 17/42
463/25
2008/0296365 A1 * 12/2008 Schliebe G07F 19/2055
235/379
2009/0057398 A1 * 3/2009 Douglass G07F 19/00
235/379

* cited by examiner
Primary Examiner — Mary Ann Calabrese
Assistant Examiner — Catherine Ho
(74) *Attorney, Agent, or Firm* — Bacon & Thomas, PLLC

(57) **CLAIM**
We claim the ornamental design for an automated teller machine, as shown and described.

DESCRIPTION
FIG. 1 is a perspective view of an automated teller machine, showing new design;
FIG. 2 is a front view thereof;
FIG. 3 is a rear view thereof;
FIG. 4 is a left side view thereof;
FIG. 5 is a right side view thereof;
FIG. 6 is a top view thereof; and,
FIG. 7 is a bottom view thereof.

1 Claim, 7 Drawing Sheets

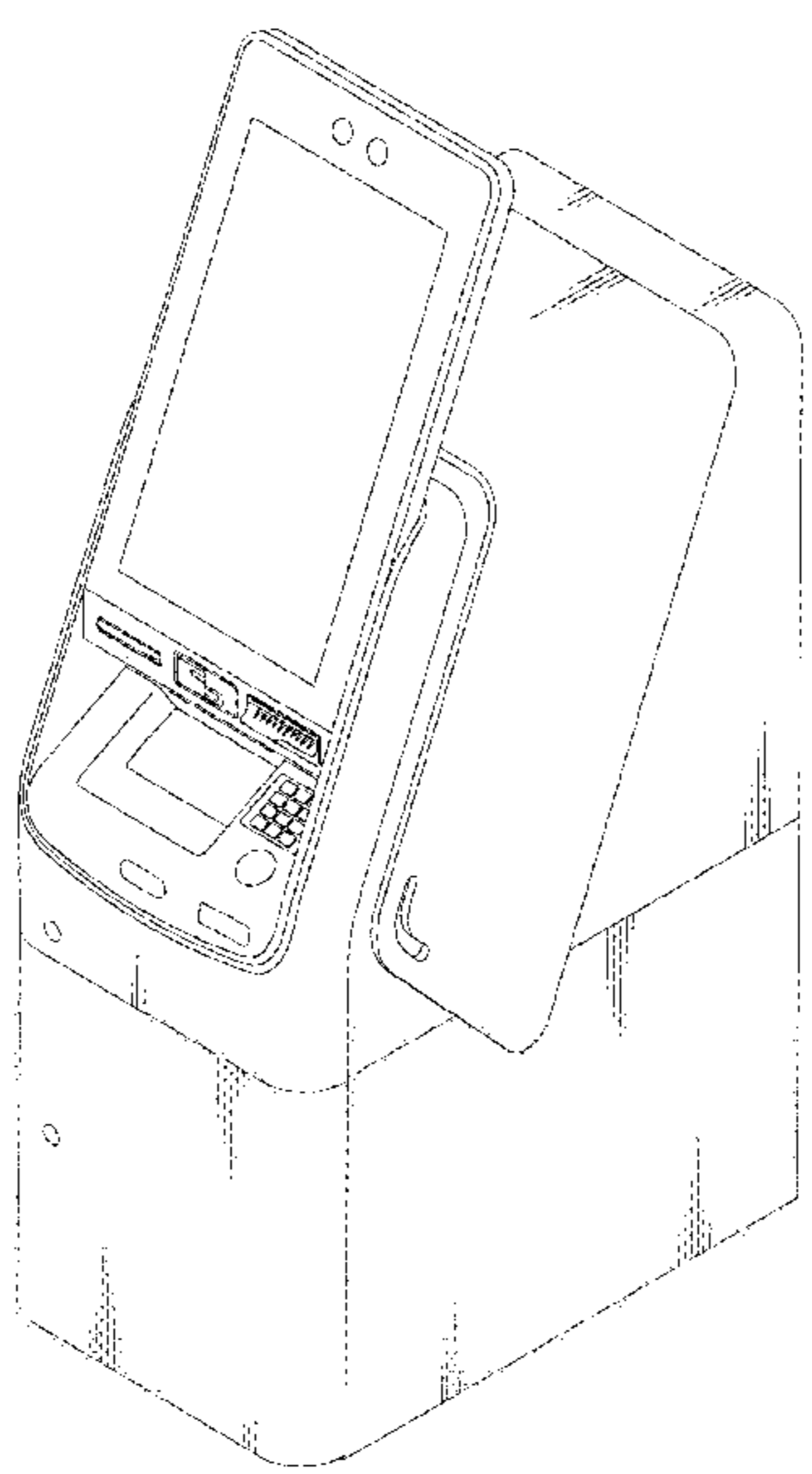


Fig 1

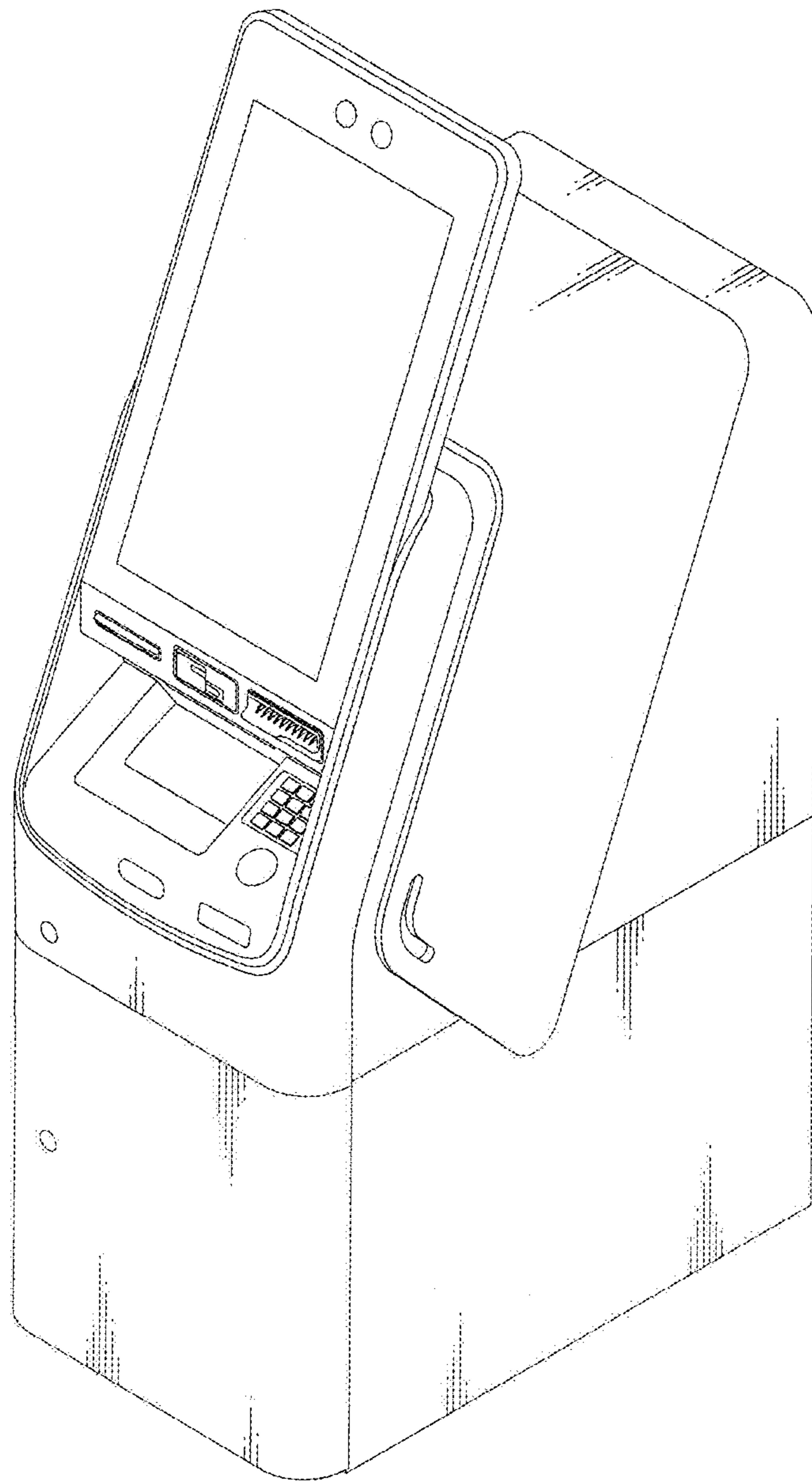


Fig 2

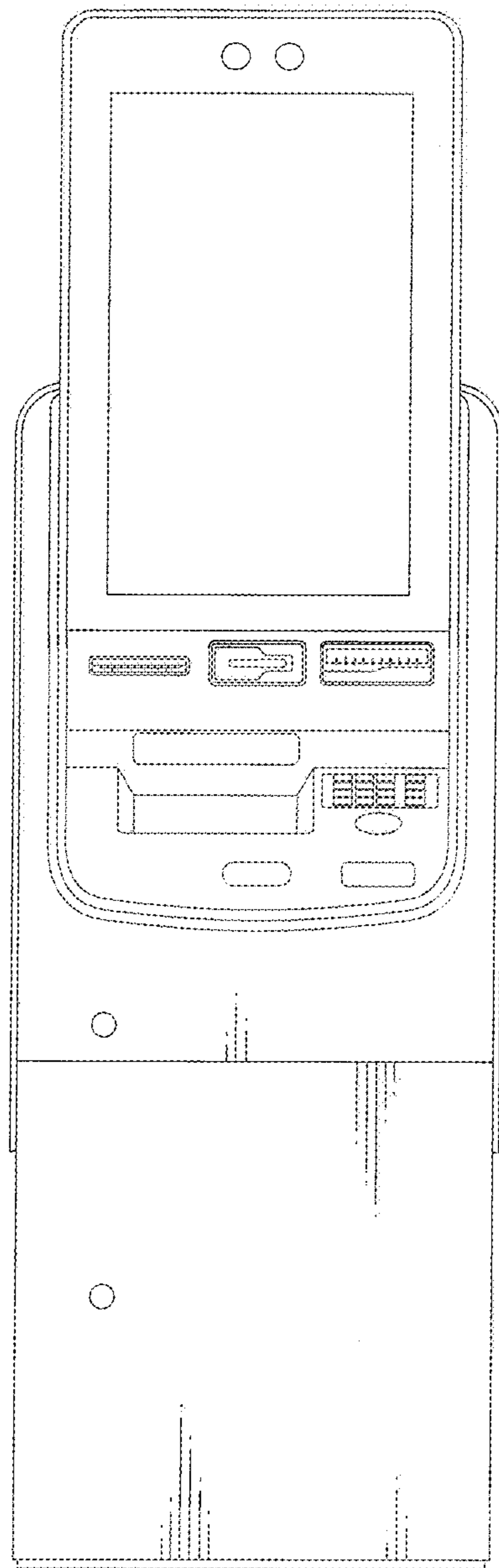


Fig 3

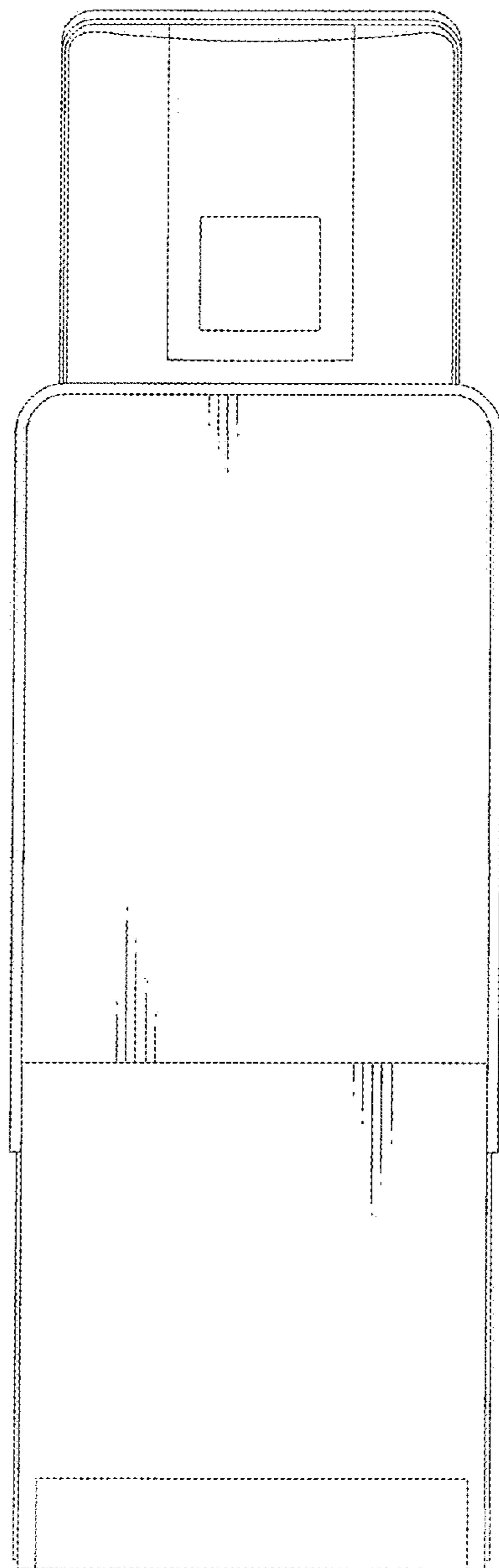


Fig 4

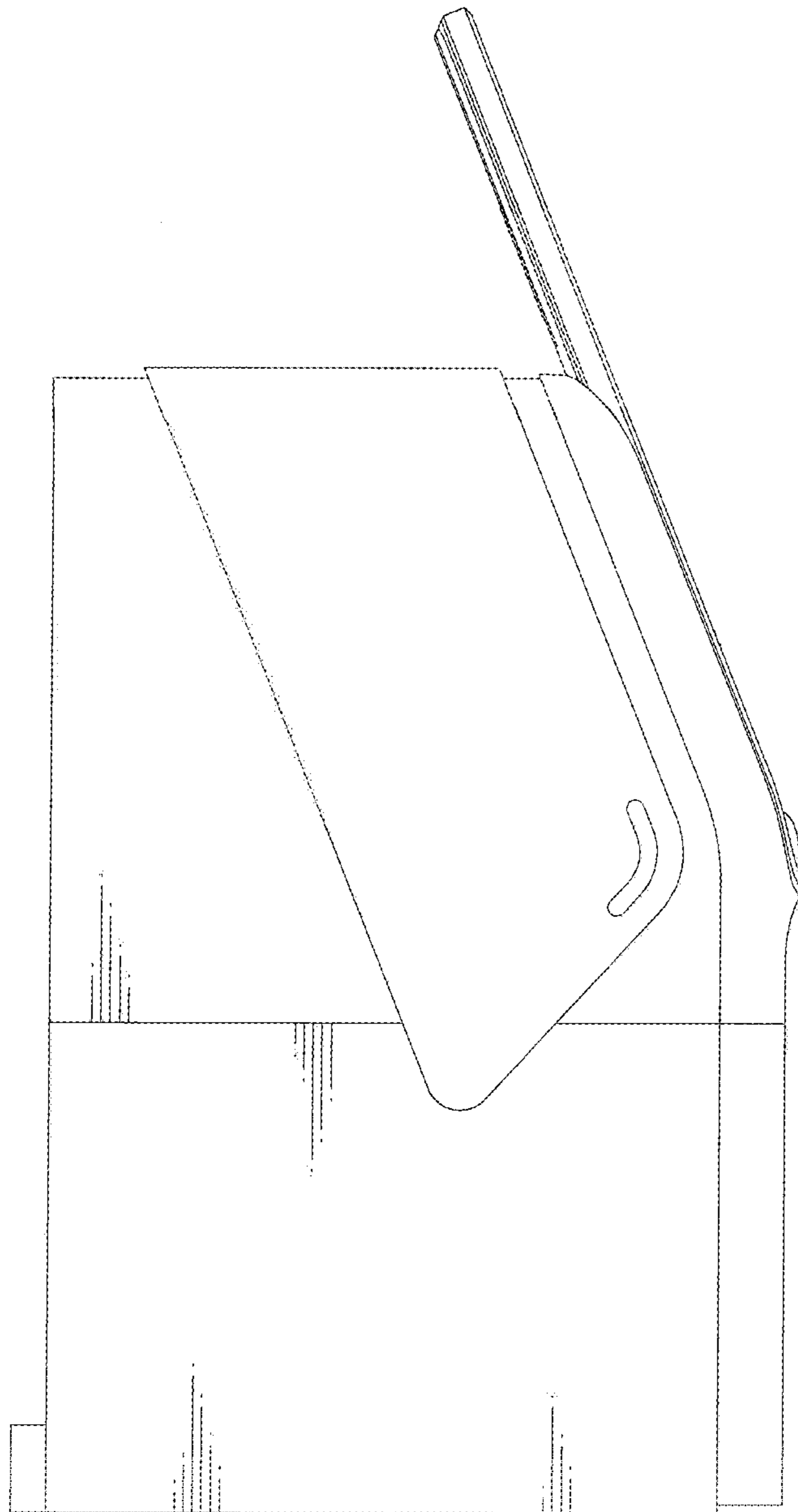


Fig 5

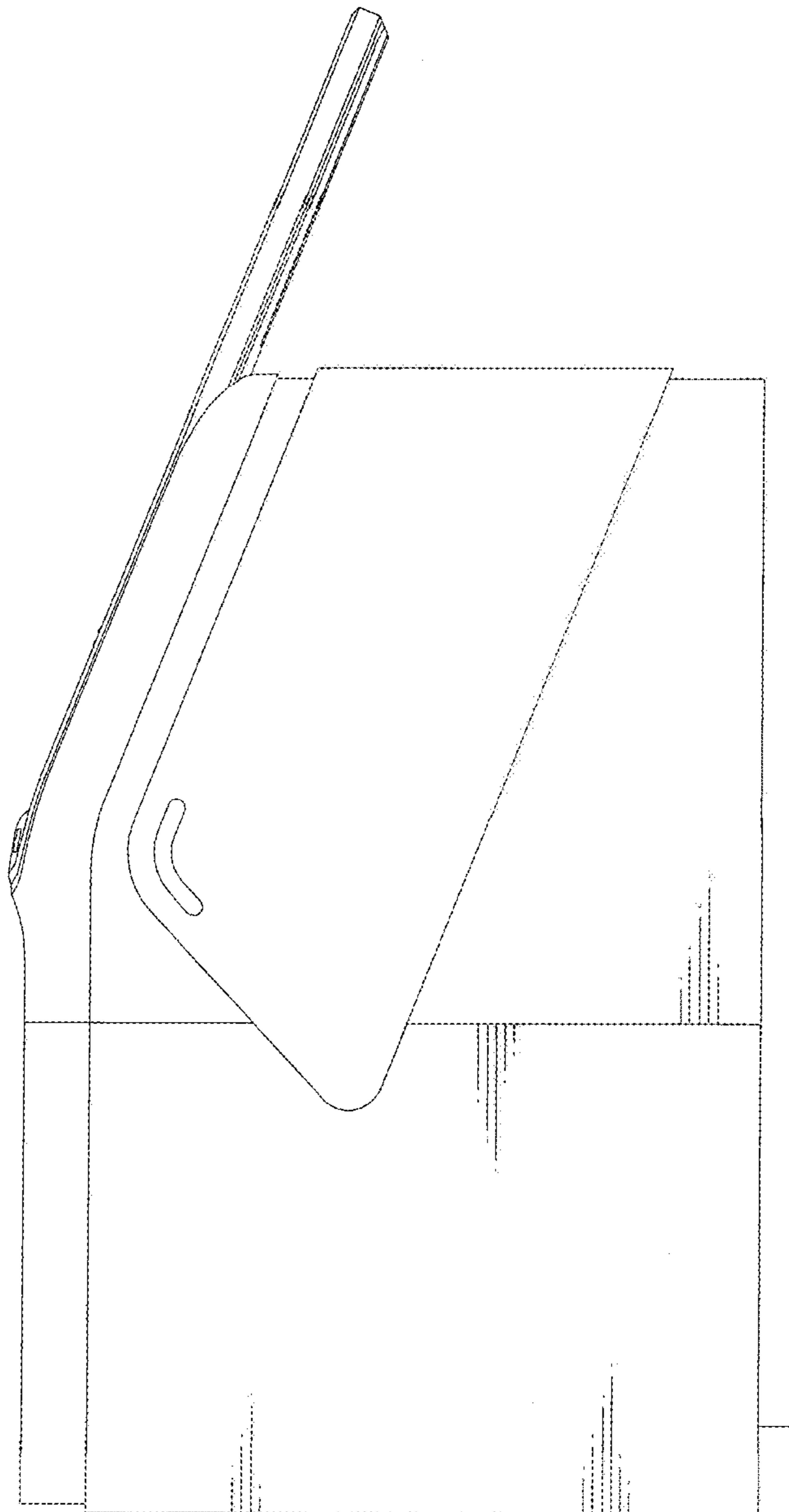


Fig 6

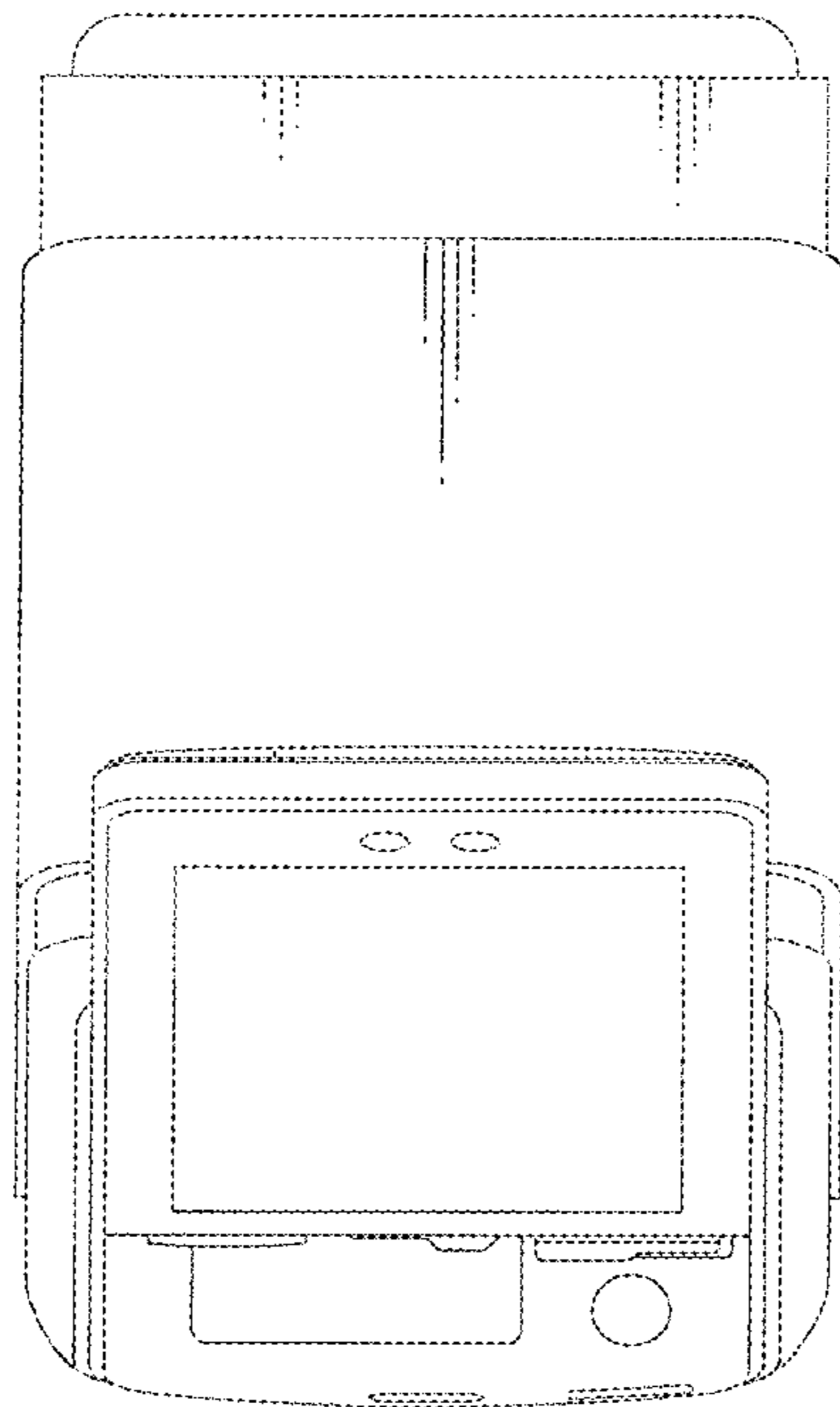


Fig 7

