



US00D924531S

(12) **United States Design Patent**  
**Simmendinger et al.**

(10) **Patent No.:** **US D924,531 S**  
(45) **Date of Patent:** **\*\* Jul. 6, 2021**

(54) **CONVEYOR BELT SLAT**  
(71) Applicant: **HABASIT AG**, Reinach (CH)  
(72) Inventors: **Stefan Simmendinger**, Wahlen (CH);  
**Dietmar Elsner**, Lörrach (DE)  
(\*\*) Term: **15 Years**  
(21) Appl. No.: **29/727,661**  
(22) Filed: **Mar. 12, 2020**  
(51) **LOC (13) Cl.** ..... **12-05**  
(52) **U.S. Cl.**  
USPC ..... **D34/29**  
(58) **Field of Classification Search**  
USPC ..... D34/29, 35  
CPC .. B65G 17/08; B65G 17/086; B65G 2207/12;  
B65G 2201/02  
See application file for complete search history.

5,996,776 A \* 12/1999 van Zijderveld ..... B65G 17/08  
198/850  
D427,898 S \* 7/2000 Loh ..... 198/838  
6,648,129 B2 \* 11/2003 Sedlacek ..... B65G 17/06  
198/850  
D502,585 S \* 3/2005 Damkjaer ..... D34/29  
D503,841 S \* 4/2005 Damkjaer ..... D34/29  
7,134,545 B1 \* 11/2006 Smith ..... B65G 17/08  
198/834  
7,360,644 B1 \* 4/2008 Lucchi ..... B65G 17/08  
198/850  
D638,603 S \* 5/2011 Jansen ..... D34/29  
D655,882 S \* 3/2012 Franzaroli ..... D34/29  
9,085,414 B2 \* 7/2015 Sharma ..... B65G 17/086  
D804,137 S \* 11/2017 Fye ..... B65G 17/08  
D34/29  
2002/0179418 A1 \* 12/2002 Guldenfels ..... B65G 17/086  
198/853  
2003/0168321 A1 \* 9/2003 Kato ..... B65G 47/53  
198/851  
2006/0075937 A1 \* 4/2006 McDonald ..... B65D 19/38  
108/51.11  
2007/0181408 A1 \* 8/2007 Schoepf ..... B65G 17/08  
198/850

(Continued)

*Primary Examiner* — Cynthia Ramirez

(56) **References Cited**  
U.S. PATENT DOCUMENTS

3,269,526 A \* 8/1966 Imse ..... F16G 13/12  
198/853  
D291,777 S \* 9/1987 Lapeyre ..... D34/29  
5,020,656 A \* 6/1991 Faulkner ..... B65G 17/08  
198/494  
5,020,659 A \* 6/1991 Hodlewsky ..... B65G 17/08  
198/853  
5,096,053 A \* 3/1992 Hodlewsky ..... B65G 17/08  
198/853  
5,174,438 A \* 12/1992 Witham ..... B65G 17/08  
198/851  
5,339,946 A \* 8/1994 Faulkner ..... B65G 17/08  
198/494  
5,573,106 A \* 11/1996 Stebnicki ..... B65G 17/08  
198/853  
5,706,934 A \* 1/1998 Palmaer ..... B65G 17/08  
198/840

(57) **CLAIM**

The ornamental design for a conveyor belt slat, as shown and described.

**DESCRIPTION**

FIG. 1 is a front view of a conveyor belt slat showing our new design;  
FIG. 2 is a top view thereof;  
FIG. 3 is a bottom view thereof;  
FIG. 4 is a side view thereof;  
FIG. 5 is an opposite side view thereof;  
FIG. 6 is an upper perspective view thereof; and,  
FIG. 7 is a lower perspective view thereof.

**1 Claim, 2 Drawing Sheets**



(56)

**References Cited**

U.S. PATENT DOCUMENTS

2008/0142342	A1 *	6/2008	Stebnicki .....	B65G 17/06 198/853
2009/0283388	A1 *	11/2009	Andersen .....	B65G 17/40 198/850
2012/0073938	A1 *	3/2012	Ozaki .....	B65G 17/46 198/690.1
2013/0277184	A1 *	10/2013	Ozaki .....	B65G 15/30 198/853
2015/0090565	A1 *	4/2015	Huettner .....	B65G 17/08 198/853
2015/0344228	A1 *	12/2015	Westergaard Andersen .....	B65G 17/18 198/836.1
2016/0332821	A1 *	11/2016	van den Berg .....	B65G 17/08
2018/0127147	A1 *	5/2018	Embleton .....	B65D 81/02

\* cited by examiner



FIG. 1

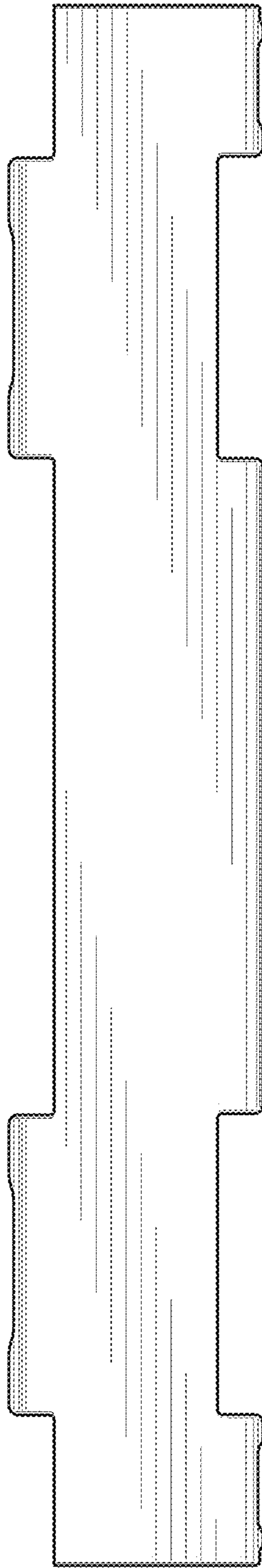


FIG. 2

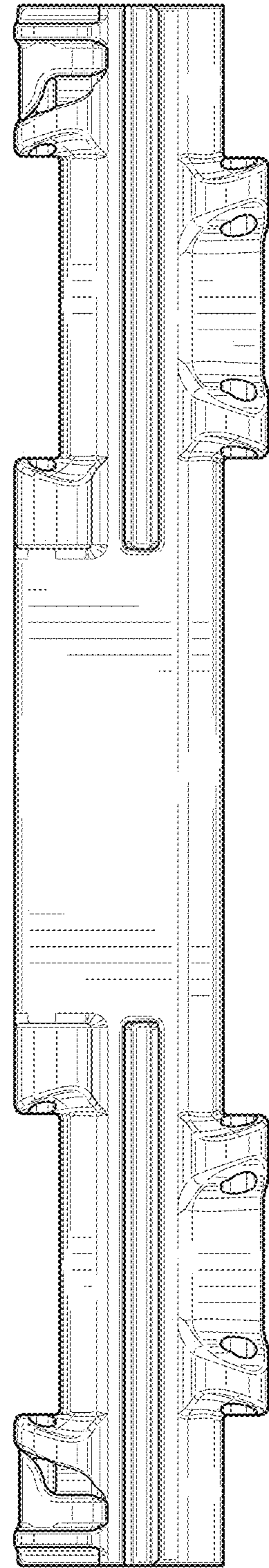


FIG. 3

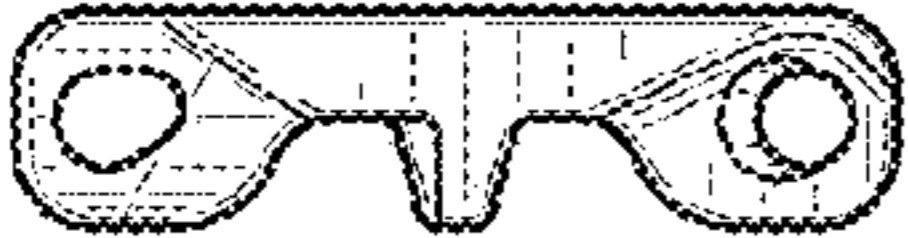


FIG. 4

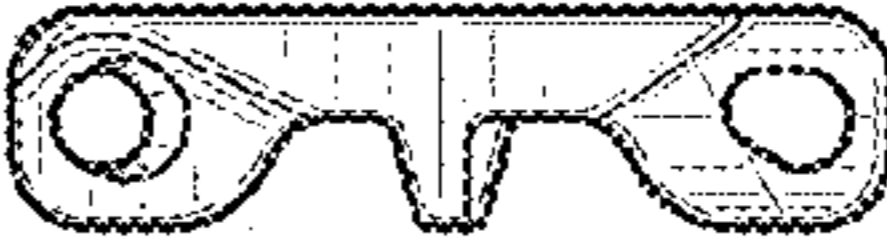


FIG. 5

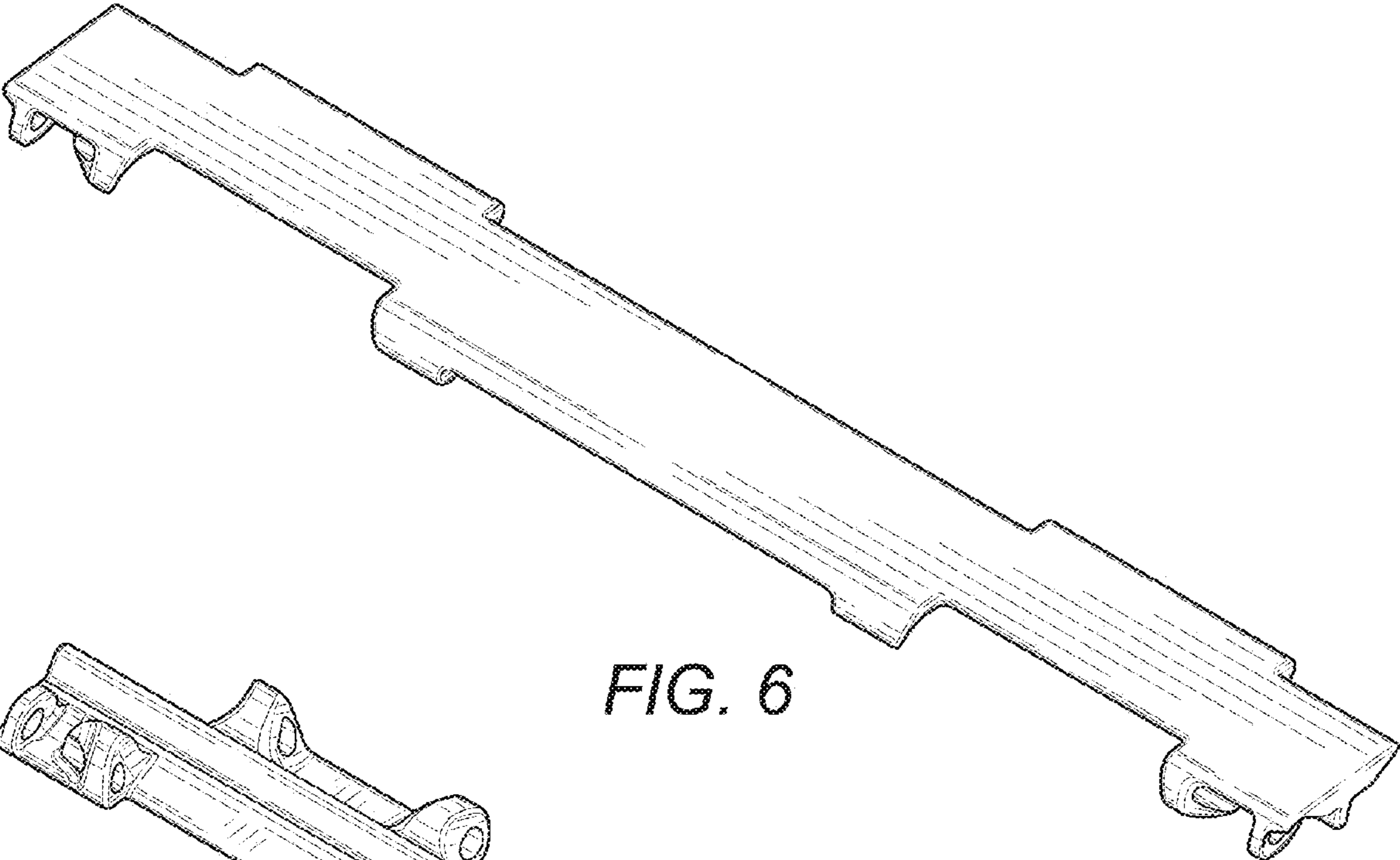


FIG. 6

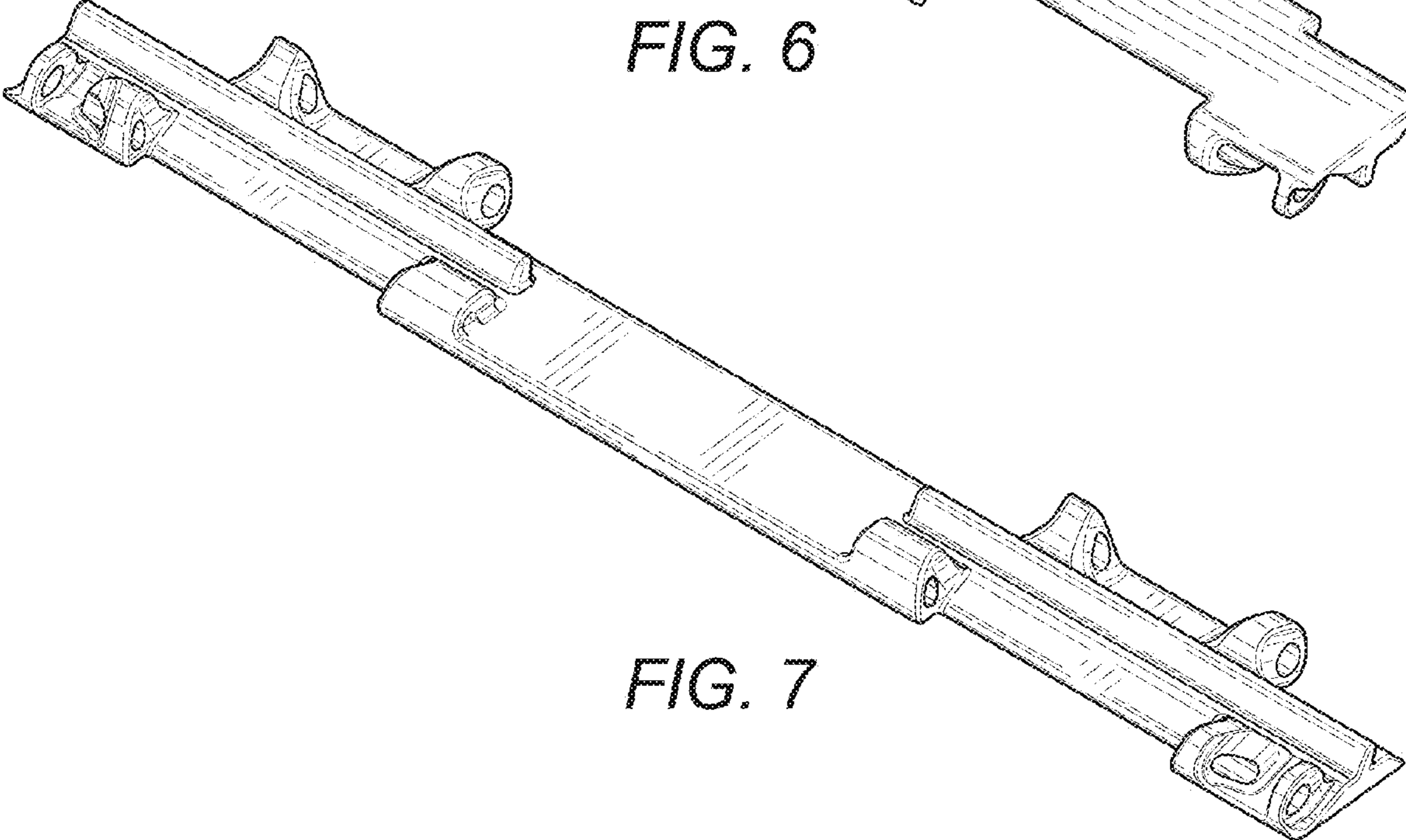


FIG. 7