

US00D924527S

(12) **United States Design Patent** (10) **Patent No.:** **US D924,527 S**
Draleau (45) **Date of Patent:** **** Jul. 6, 2021**

(54) **CART BODY FOR A UTILITY CART**
(71) Applicant: **Polymule, Inc.**, Lehi, UT (US)
(72) Inventor: **Dennis Draleau**, Lehi, UT (US)
(**) Term: **15 Years**
(21) Appl. No.: **29/695,061**
(22) Filed: **Jun. 14, 2019**

D393,129 S 3/1998 Yemini
5,876,049 A 3/1999 Spear et al.
6,164,683 A 12/2000 Kalman
6,217,043 B1 4/2001 Chumley
6,283,496 B1 * 9/2001 Dickmann B62B 1/208
280/40
6,585,285 B2 7/2003 Koch
D487,325 S * 3/2004 Nelsen D34/16
6,708,995 B2 3/2004 Norris
(Continued)

Related U.S. Application Data

(63) Continuation of application No. 16/008,925, filed on Jun. 14, 2018.
(51) **LOC (13) Cl.** **12-02**
(52) **U.S. Cl.**
USPC **D34/27**
(58) **Field of Classification Search**
USPC D34/14, 16, 24
CPC B62B 1/20; B62B 1/24; B62B 3/02; B62B 1/00; B62B 1/147; B62B 5/066
See application file for complete search history.

OTHER PUBLICATIONS
All-terrain Utility Cart Polymule, <https://polymule.com/shop?olsPage=products%2Fpolymule-utility-cart-ply-flt-crt1>, Nov. 2, 2020 (Year: 2020).*

(Continued)

Primary Examiner — Cynthia Ramirez
(74) *Attorney, Agent, or Firm* — Intellectual Strategies

(57) **CLAIM**

The ornamental design for a cart body for a utility cart, as shown and described.

(56) **References Cited**

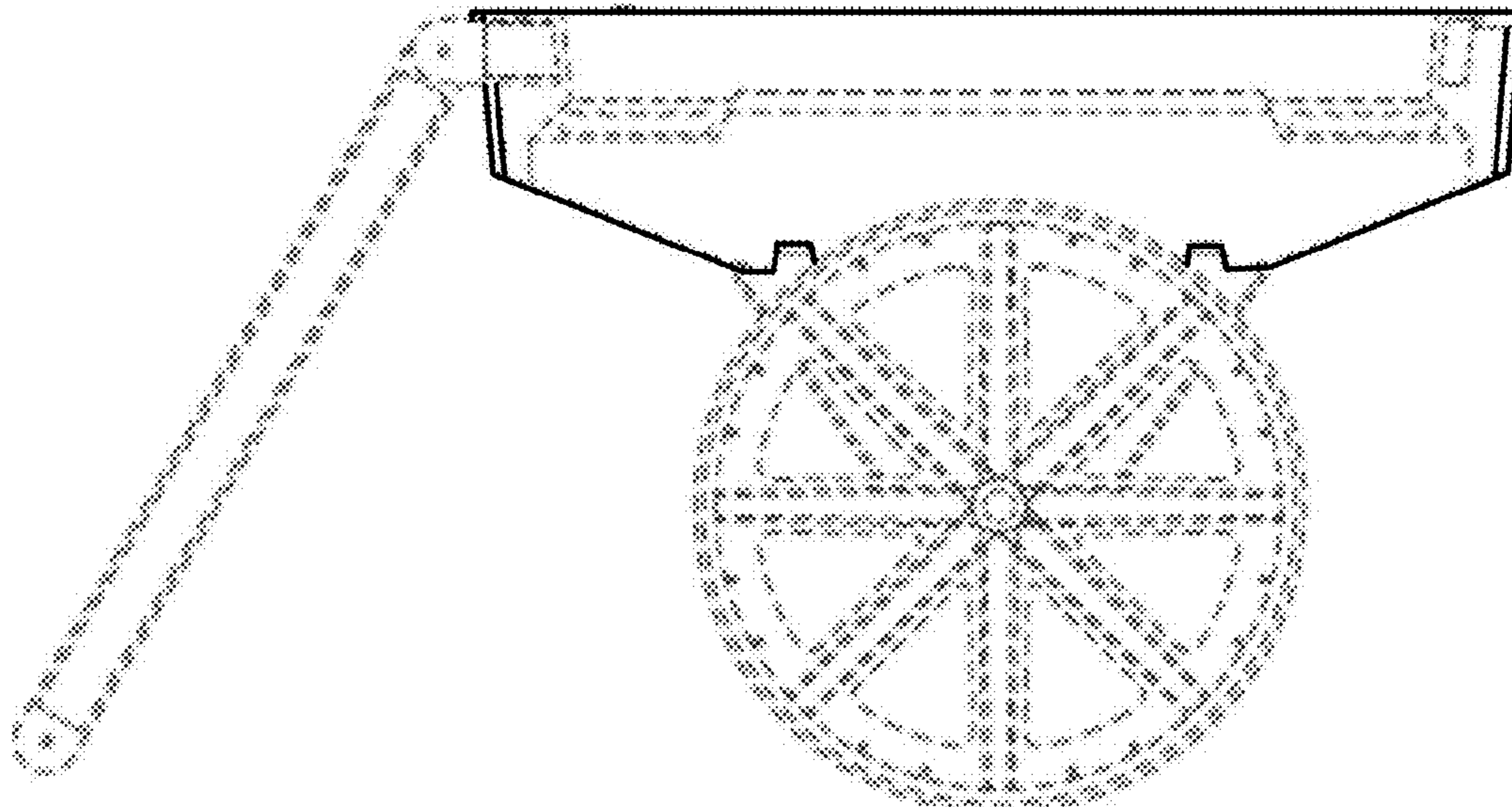
U.S. PATENT DOCUMENTS

669,222 A	3/1901	Ruher	
908,472 A	1/1909	Lyons	
1,190,399 A	7/1916	Gates	
1,462,133 A	7/1923	Glock	
1,523,960 A	1/1925	Harbison	
2,867,485 A	1/1959	Schmidt	
2,970,846 A	2/1961	Boston	
4,253,677 A	3/1981	Wissler	
4,609,192 A	9/1986	Bratcher	
4,733,755 A	3/1988	Manning	
5,018,651 A	5/1991	Hull et al.	
5,186,330 A	2/1993	McClure	
5,330,212 A	7/1994	Gardner	
5,673,928 A	10/1997	Jury	
D388,580 S *	12/1997	Havlovitz D34/16
5,692,761 A	12/1997	Havlovitz	

DESCRIPTION

FIG. 1 is a right side view of the cart body for a utility cart showing my new design, showing the handle in an alternate position;
FIG. 2 is a front view thereof;
FIG. 3 is a front bottom perspective view thereof;
FIG. 4 is a front top perspective view thereof;
FIG. 5 is a top perspective view showing the handle in a stored position and the wheels detached; and,
FIG. 6 is a side view thereof.
The broken lines in FIGS. 1-6 show portions of the cart body that are not part of the claimed design. Additional broken lines in FIG. 6 show the environment, which is not part of the claimed design.

1 Claim, 4 Drawing Sheets



(56)

References Cited

U.S. PATENT DOCUMENTS

6,848,695 B2 2/2005 Panasewicz
 6,893,030 B2 5/2005 Shapiro
 7,172,207 B2 2/2007 Henry
 D544,173 S * 6/2007 Mullen D34/16
 7,226,072 B2 6/2007 Shapiro
 7,252,295 B2 8/2007 Bludworth
 D574,121 S * 7/2008 Song D34/16
 D606,565 S * 12/2009 Hickenbottom D15/17
 7,770,913 B2 8/2010 Cannon
 7,963,531 B2 6/2011 Panigot
 8,152,179 B2 4/2012 Yang et al.
 D672,110 S 12/2012 Cooper
 8,505,932 B1 8/2013 Piccirillo
 8,517,411 B2 8/2013 Martin
 D694,981 S * 12/2013 Albert D34/16
 8,602,423 B1 12/2013 Alexander
 9,371,080 B2 6/2016 Dilone
 9,446,777 B2 9/2016 Umbro
 10,232,867 B1 3/2019 Jones et al.
 D851,352 S * 6/2019 Dror D34/16
 D876,744 S * 2/2020 Wernberg D34/16
 D885,701 S * 5/2020 Draleau D34/16
 D892,425 S * 8/2020 Bresnahan, Sr. D34/16

2004/0232660 A1 11/2004 Chen
 2006/0207831 A1 9/2006 Moore
 2009/0146394 A1 6/2009 Seivert et al.
 2009/0212515 A1 8/2009 Oyasaeter
 2010/0066069 A1 3/2010 Bradshaw
 2012/0187662 A1 7/2012 Riddiford
 2015/0203018 A1 7/2015 Dechant
 2017/0174112 A1 6/2017 Sadinski et al.
 2017/0297596 A1 10/2017 Ertel et al.

OTHER PUBLICATIONS

Office Action for U.S. Appl. No. 29/695,058, dated Nov. 5, 2020, 7 pages.
 Office Action for U.S. Appl. No. 29/695,062, dated Nov. 5, 2020, 7 pages.
 Office Action for U.S. Appl. No. 16/008,925, dated Dec. 14, 2018, 18 pages.
 Final Office Action for U.S. Appl. No. 16/008,925, dated Sep. 13, 2019, 17 pages.
 Office Action for U.S. Appl. No. 16/008,925, dated May 15, 2020, 20 pages.
 Final Office Action for U.S. Appl. No. 16/008,925, dated Mar. 27, 2021, 10 pages.

* cited by examiner

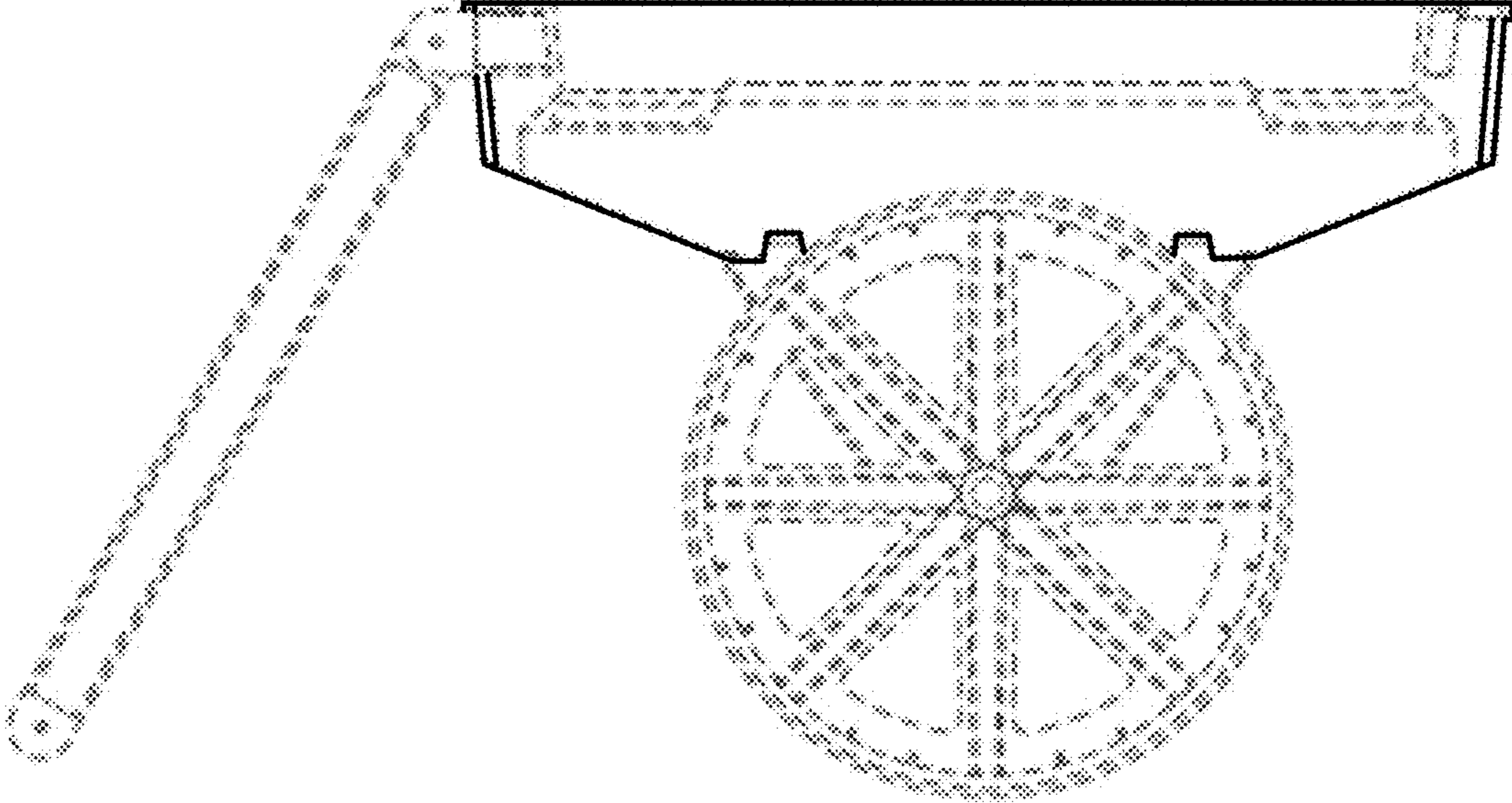


Fig. 1

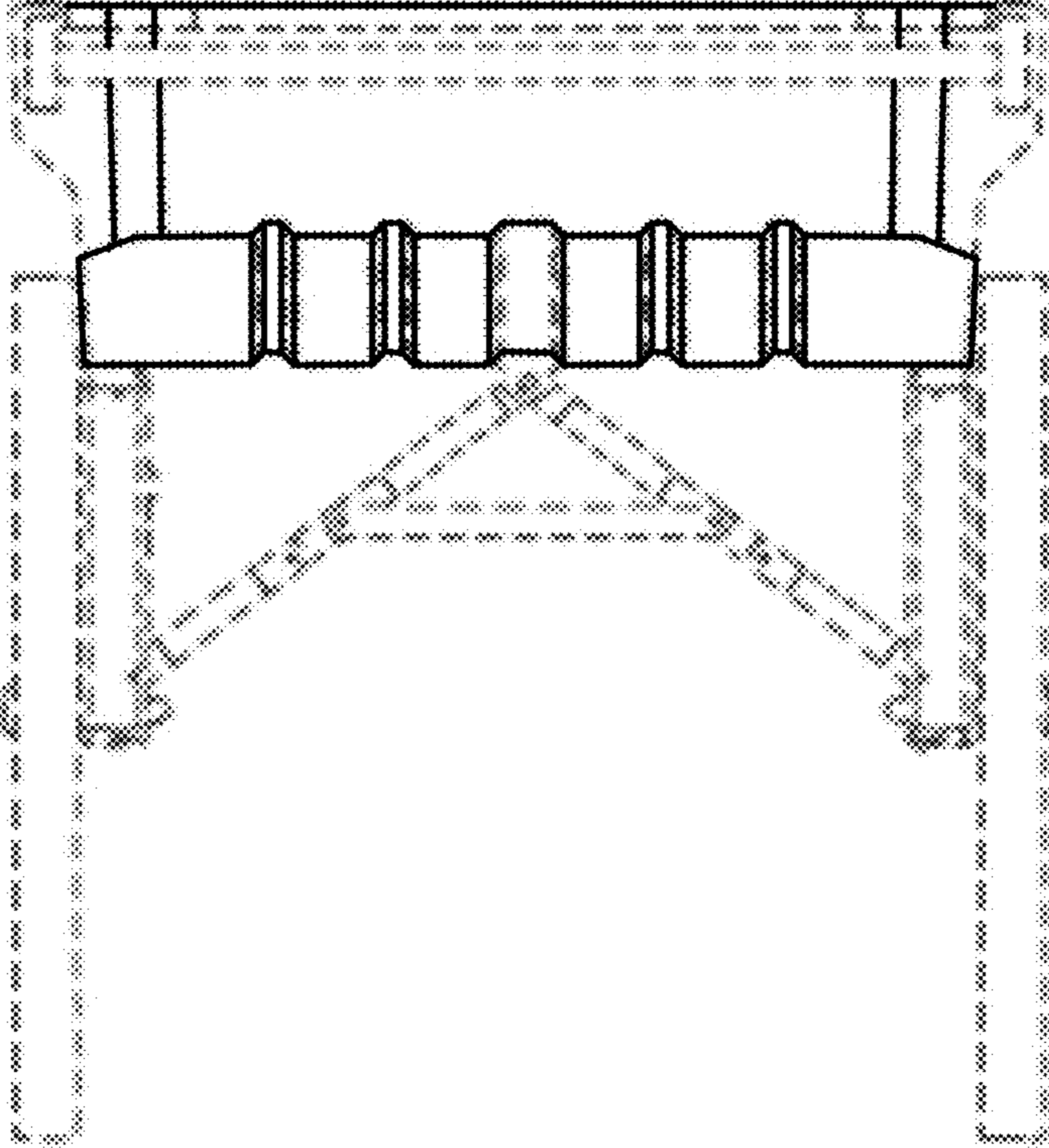


Fig. 2

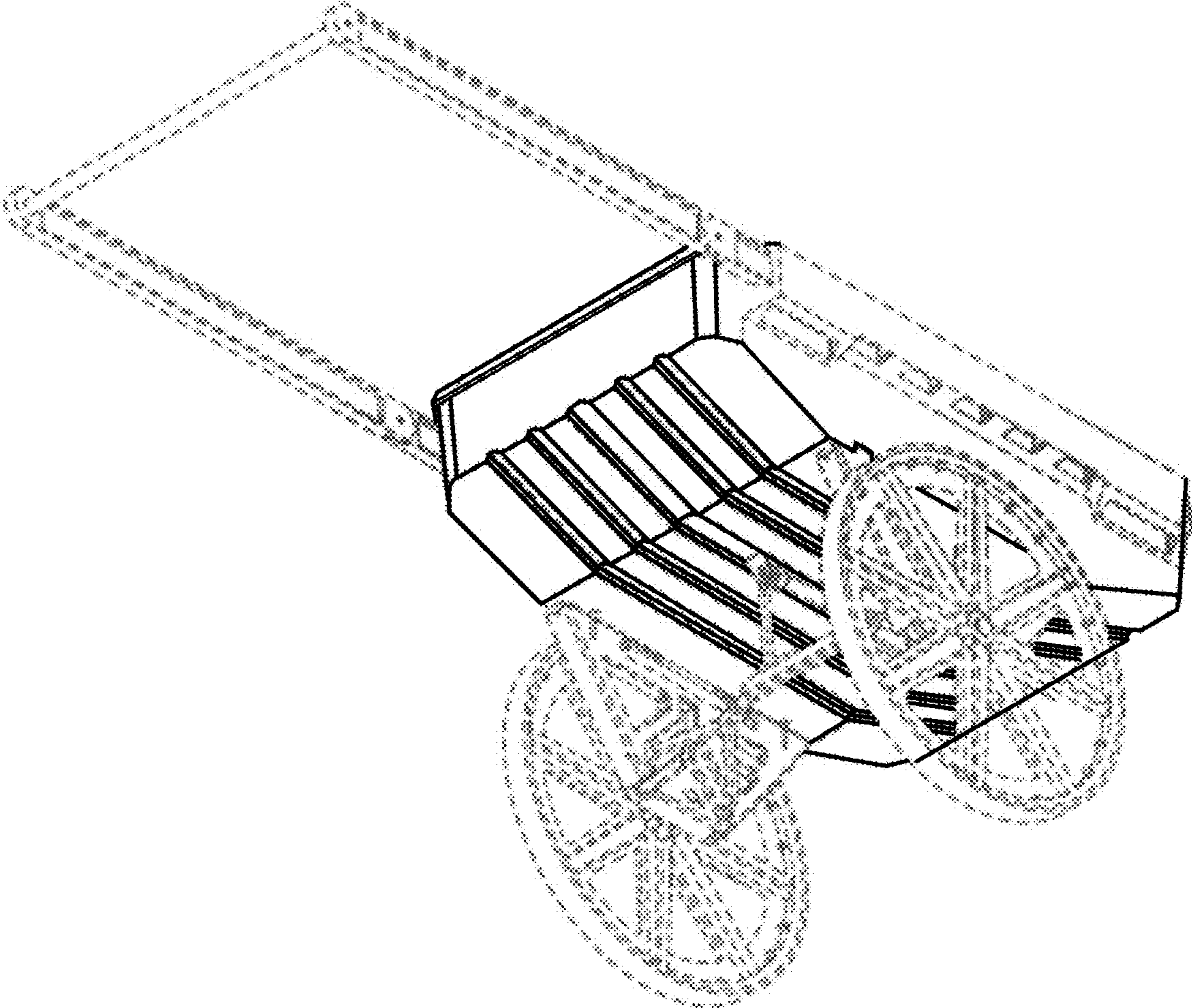


Fig. 3

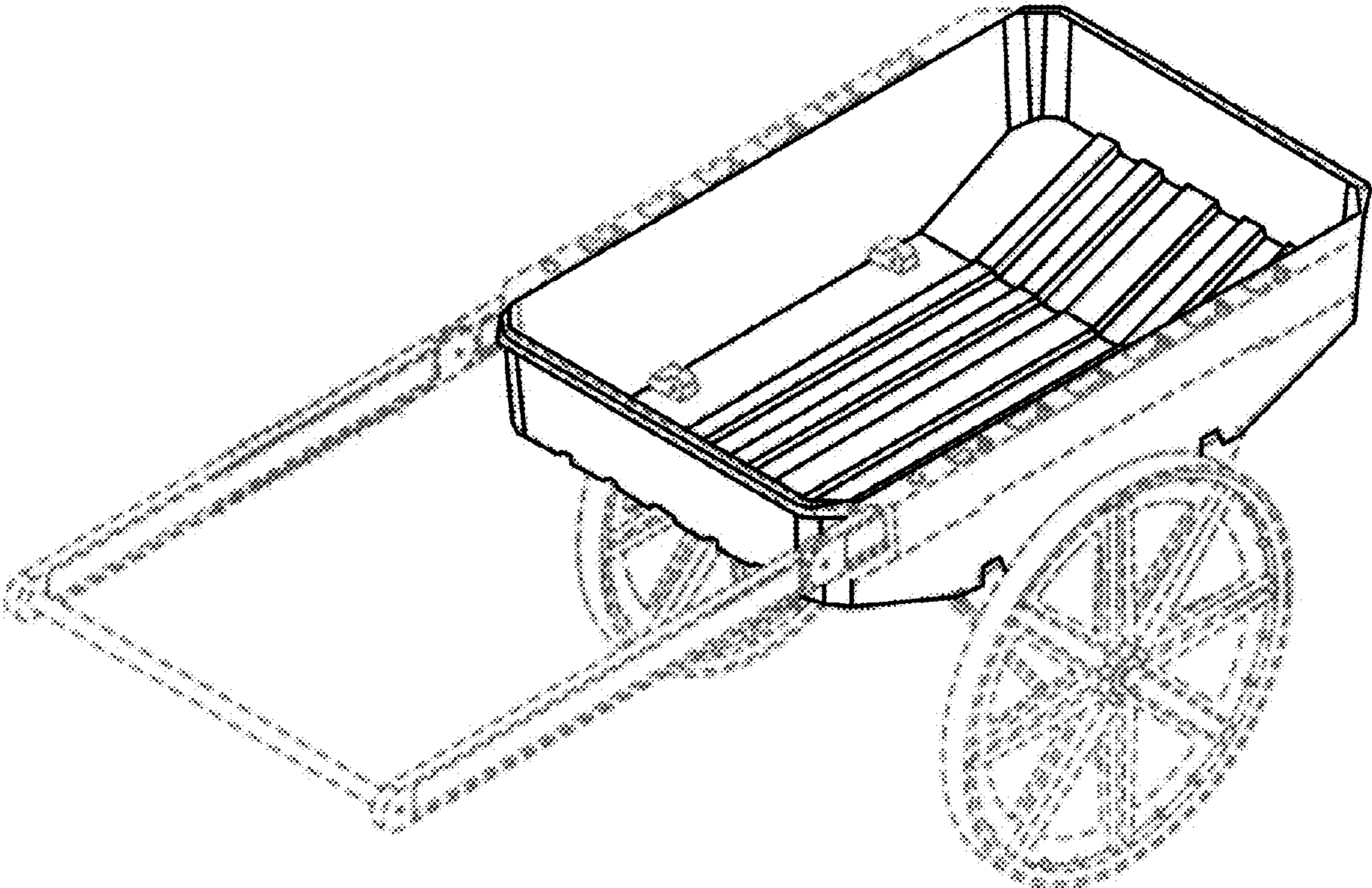


Fig. 4

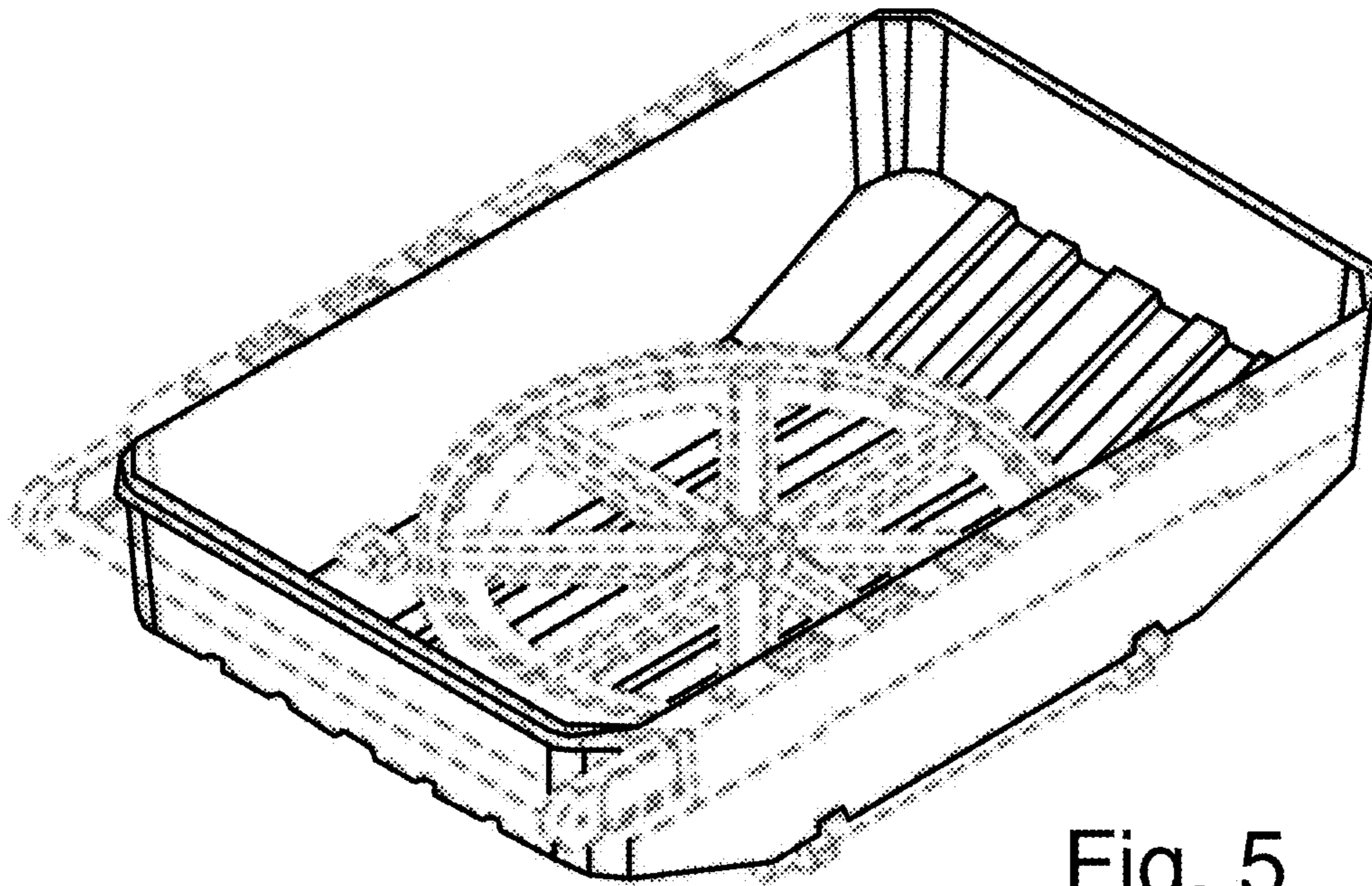


Fig. 5

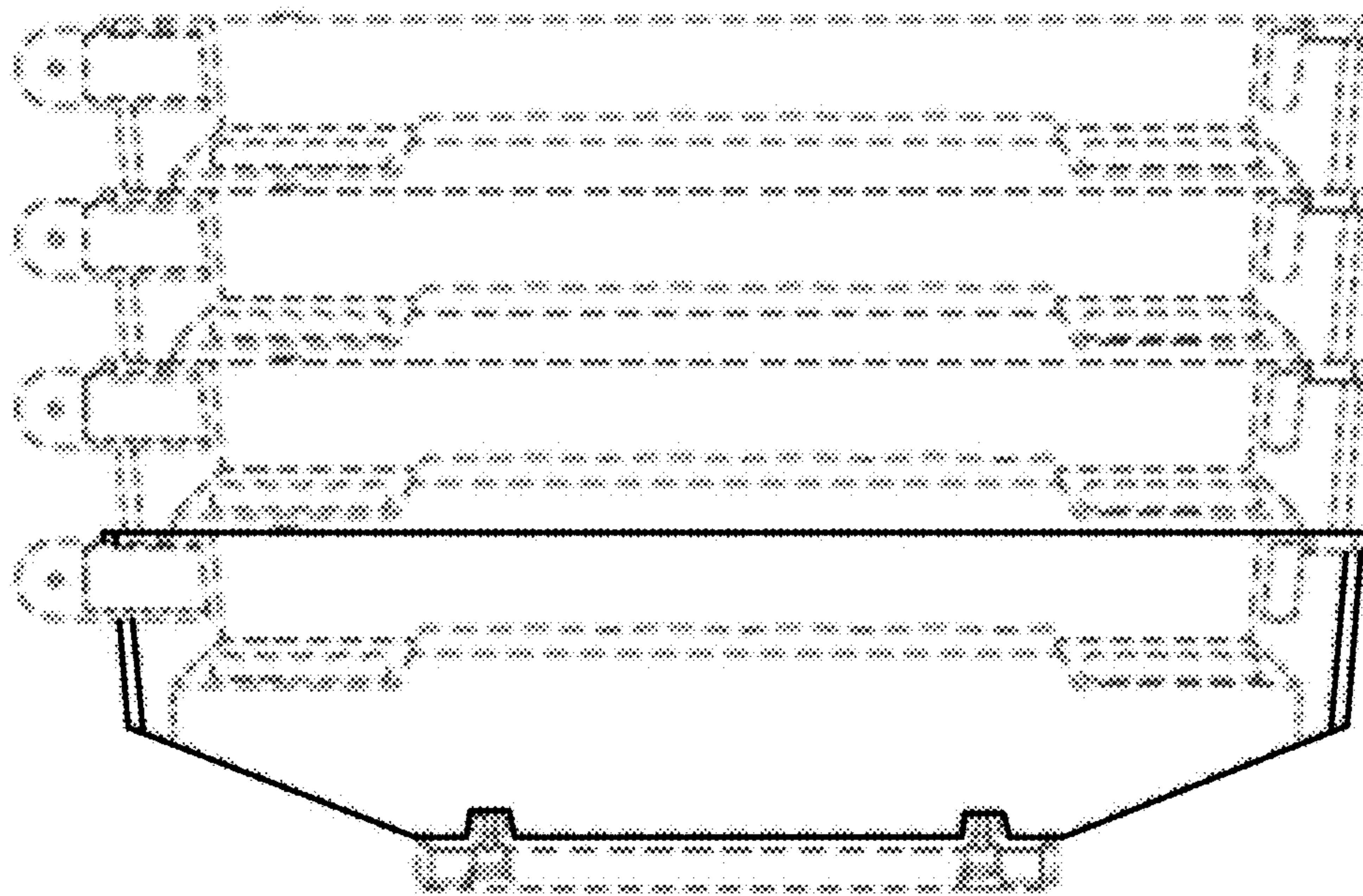


Fig. 6