



US00D924526S

(12) **United States Design Patent**
Draleau

(10) **Patent No.:** **US D924,526 S**
(45) **Date of Patent:** **** Jul. 6, 2021**

(54) **HANDLE SLOTS FOR A UTILITY CART**

(71) Applicant: **Polymule, Inc.**, Lehi, UT (US)

(72) Inventor: **Dennis Draleau**, Lehi, UT (US)

(**) Term: **15 Years**

(21) Appl. No.: **29/695,058**

(22) Filed: **Jun. 14, 2019**

5,692,761 A	12/1997	Havlovitz	
D393,129 S	3/1998	Yemini	
5,876,049 A	3/1999	Spear et al.	
6,164,683 A	12/2000	Kalman	
6,217,043 B1	4/2001	Chumley	
6,283,496 B1 *	9/2001	Dickmann B62B 1/208 280/40
6,585,285 B2	7/2003	Koch	
D487,325 S *	3/2004	Nelsen D34/16
6,708,995 B2	3/2004	Norris	
6,848,695 B2	2/2005	Panasewicz	
6,893,030 B2	5/2005	Shapiro	
7,172,207 B2	2/2007	Henry	
D544,173 S *	6/2007	Mullen D34/16

(Continued)

Related U.S. Application Data

(63) Continuation of application No. 16/008,925, filed on Jun. 14, 2018.

(51) **LOC (13) Cl.** **12-02**

(52) **U.S. Cl.**
USPC **D34/27**

(58) **Field of Classification Search**
USPC D34/14, 16, 24
CPC B62B 1/20; B62B 1/24; B62B 3/02; B62B
1/00; B62B 1/147; B62B 5/066
See application file for complete search history.

(56) **References Cited**

U.S. PATENT DOCUMENTS

669,222 A	3/1901	Ruher	
908,472 A	1/1909	Lyons	
1,190,399 A	7/1916	Gates	
1,462,133 A	7/1923	Glock	
1,523,960 A	1/1925	Harbison	
2,867,485 A	1/1959	Schmidt	
2,970,846 A	2/1961	Boston	
4,253,677 A	3/1981	Wissler	
4,609,192 A	9/1986	Bratcher	
4,733,755 A	3/1988	Manning	
5,018,651 A	5/1991	Hull et al.	
5,186,330 A	2/1993	McClure	
5,330,212 A	7/1994	Gardner	
5,673,928 A	10/1997	Jury	
D388,580 S *	12/1997	Havlovitz D34/16

OTHER PUBLICATIONS

All-terrain Utility Cart Polymule, <https://polymule.com/shop?olsPage=products%2Fpolymule-utility-cart-ply-tlt-crt1>, Nov. 2, 2020 (Year: 2020).*

(Continued)

Primary Examiner — Cynthia Ramirez

(74) *Attorney, Agent, or Firm* — Intellectual Strategies

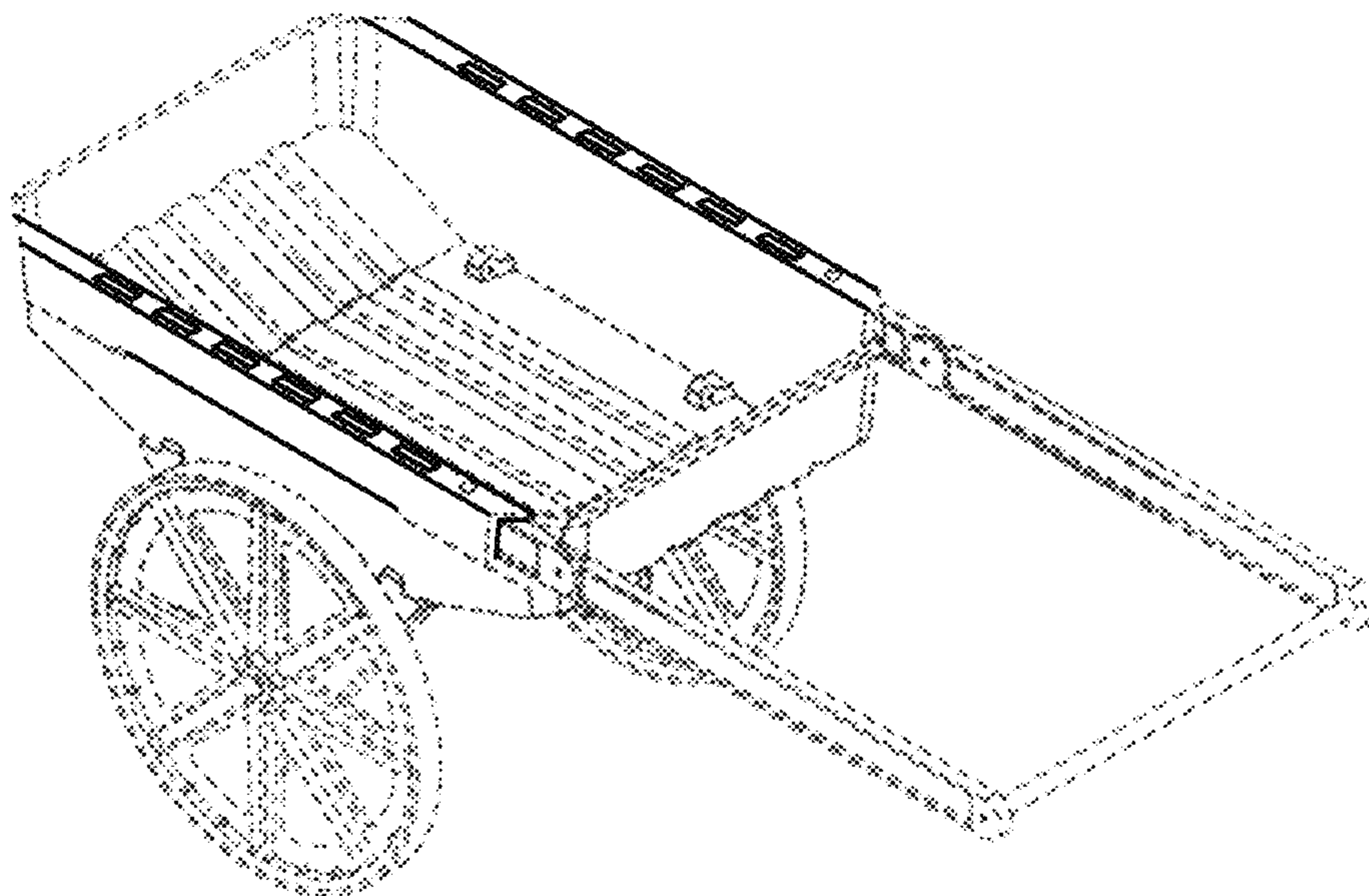
(57) **CLAIM**

The ornamental design for handle slots for a utility cart, as shown and described.

DESCRIPTION

FIG. 1 is a front top perspective view of the handle slots for a utility cart, showing my new design; FIG. 2 is a top back perspective view thereof; FIG. 3 is a bottom back perspective view thereof; FIG. 4 is a right side view thereof; FIG. 5 is a left side view thereof; and, FIG. 6 is a front view thereof. The broken lines in FIGS. 1-6 show portions of the cart body that are not part of the claimed design.

1 Claim, 3 Drawing Sheets



(56)

References Cited

U.S. PATENT DOCUMENTS

7,226,072	B2	6/2007	Shapiro	
7,252,295	B2	8/2007	Bludworth	
D574,121	S *	7/2008	Song	D34/16
D606,565	S *	12/2009	Hickenbottom	D15/17
7,770,913	B2	8/2010	Cannon	
7,963,531	B2	6/2011	Panigot	
8,152,179	B2	4/2012	Yang et al.	
D672,110	S	12/2012	Cooper	
8,505,932	B1	8/2013	Piccirillo	
8,517,411	B2	8/2013	Martin	
D694,981	S *	12/2013	Albert	D34/16
8,602,423	B1	12/2013	Alexander	
9,371,080	B2	6/2016	Dilone	
9,446,777	B2	9/2016	Umbro	
10,232,867	B1	3/2019	Jones et al.	
D851,352	S *	6/2019	Dror	D34/16
D876,744	S *	2/2020	Wernberg	D34/16
D885,701	S *	5/2020	Draleau	D34/16
D892,425	S *	8/2020	Bresnahan, Sr.	D34/16
2004/0232660	A1	11/2004	Chen	
2006/0207831	A1	9/2006	Moore	

2009/0146394	A1	6/2009	Seivert et al.
2009/0212515	A1	8/2009	Oyasaeter
2010/0066069	A1	3/2010	Bradshaw
2012/0187662	A1	7/2012	Riddiford
2015/0203018	A1	7/2015	Dechant
2017/0174112	A1	6/2017	Sadinski et al.
2017/0297596	A1	10/2017	Ertel et al.

OTHER PUBLICATIONS

Office Action for U.S. Appl. No. 29/695,061, dated Nov. 5, 2020, 7 pages.

Office Action for U.S. Appl. No. 29/695,062, dated Nov. 5, 2020, 7 pages.

Office Action for U.S. Appl. No. 16/008,925, dated Dec. 14, 2018, 18 pages.

Final Office Action for U.S. Appl. No. 16/008,925, dated Sep. 13, 2019, 17 pages.

Office Action for U.S. Appl. No. 16/008,925, dated May 15, 2020, 20 pages.

Final Office Action for U.S. Appl. No. 16/008,925, dated Mar. 27, 2021, 10 pages.

* cited by examiner

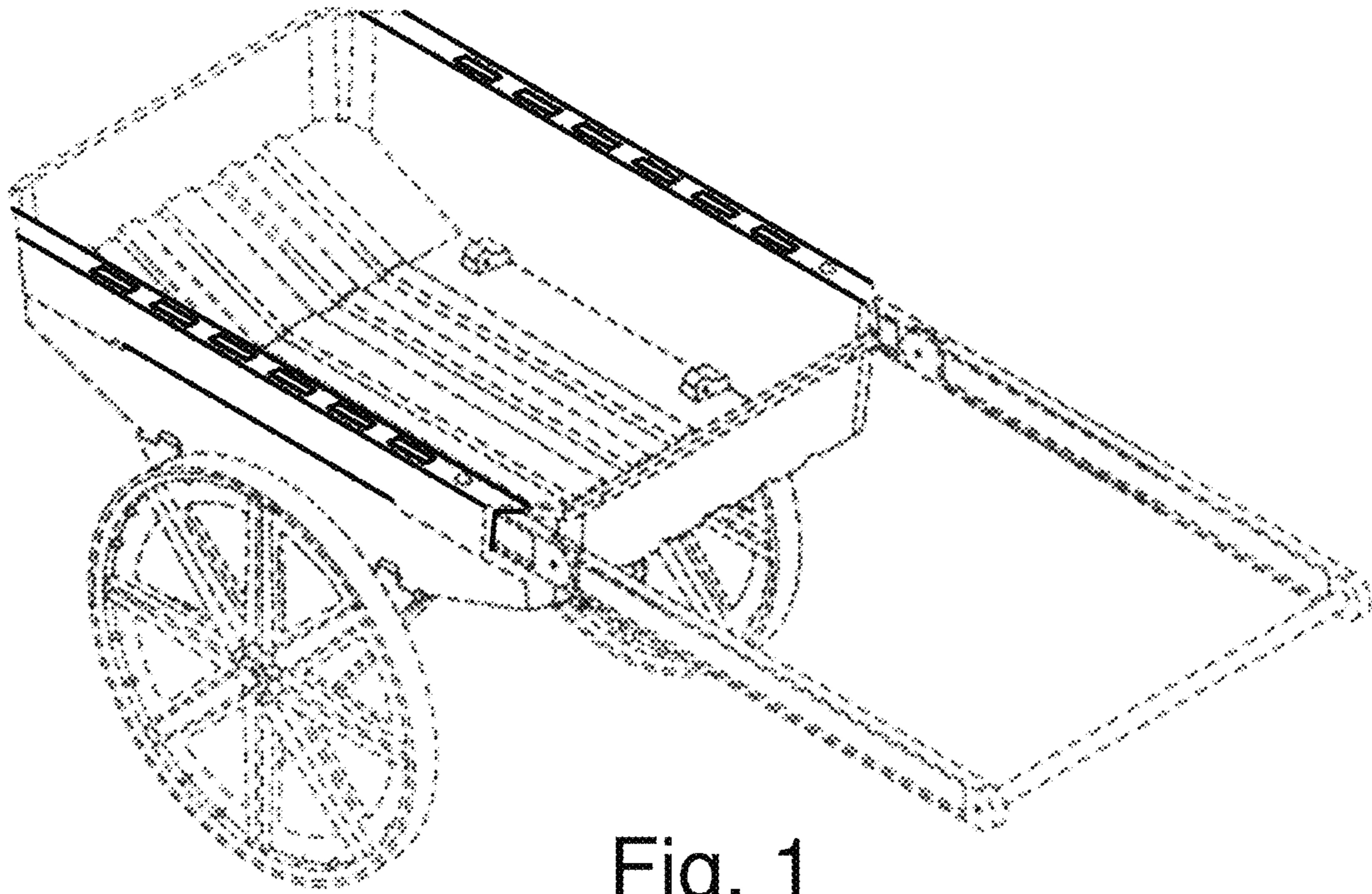


Fig. 1

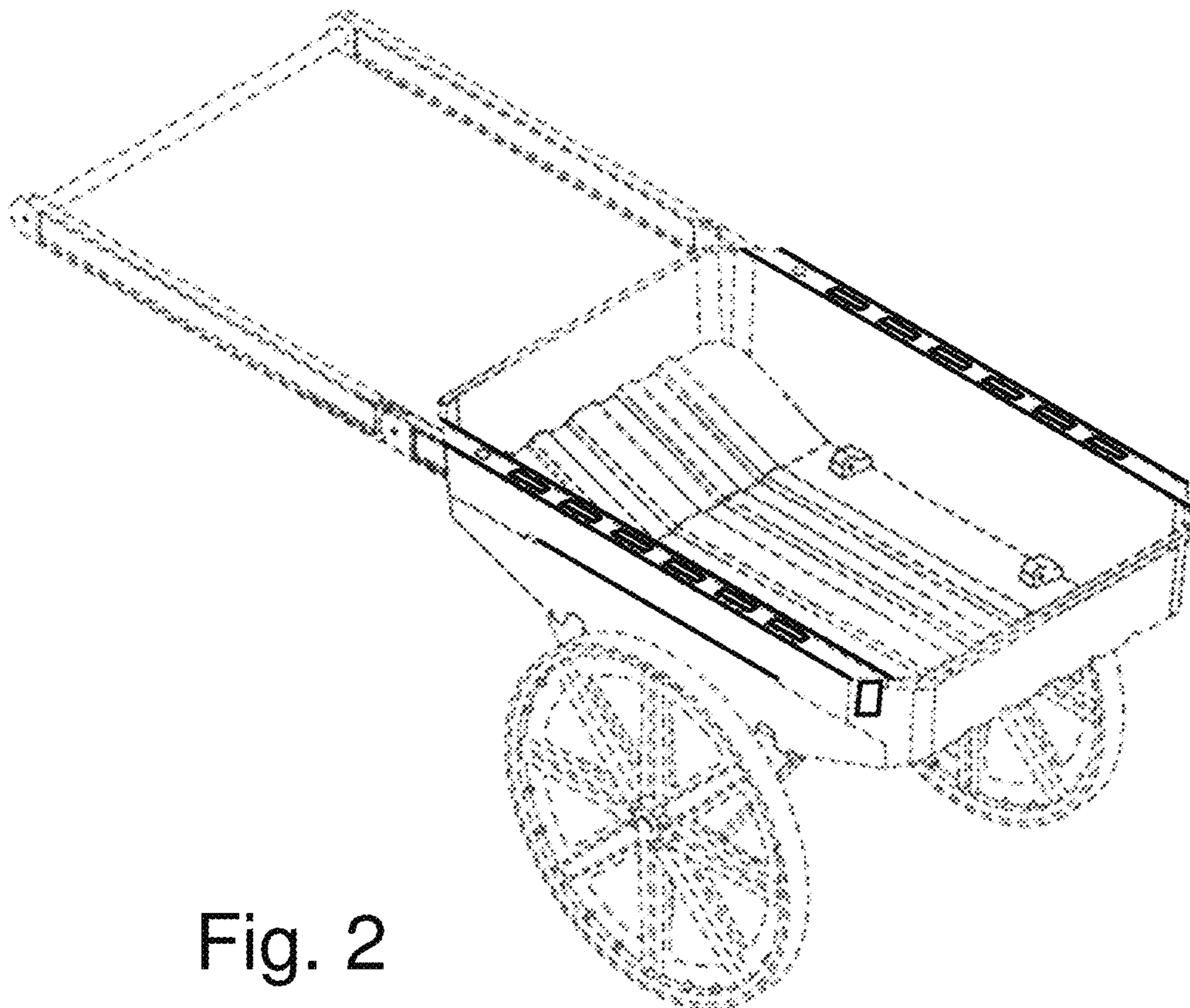


Fig. 2

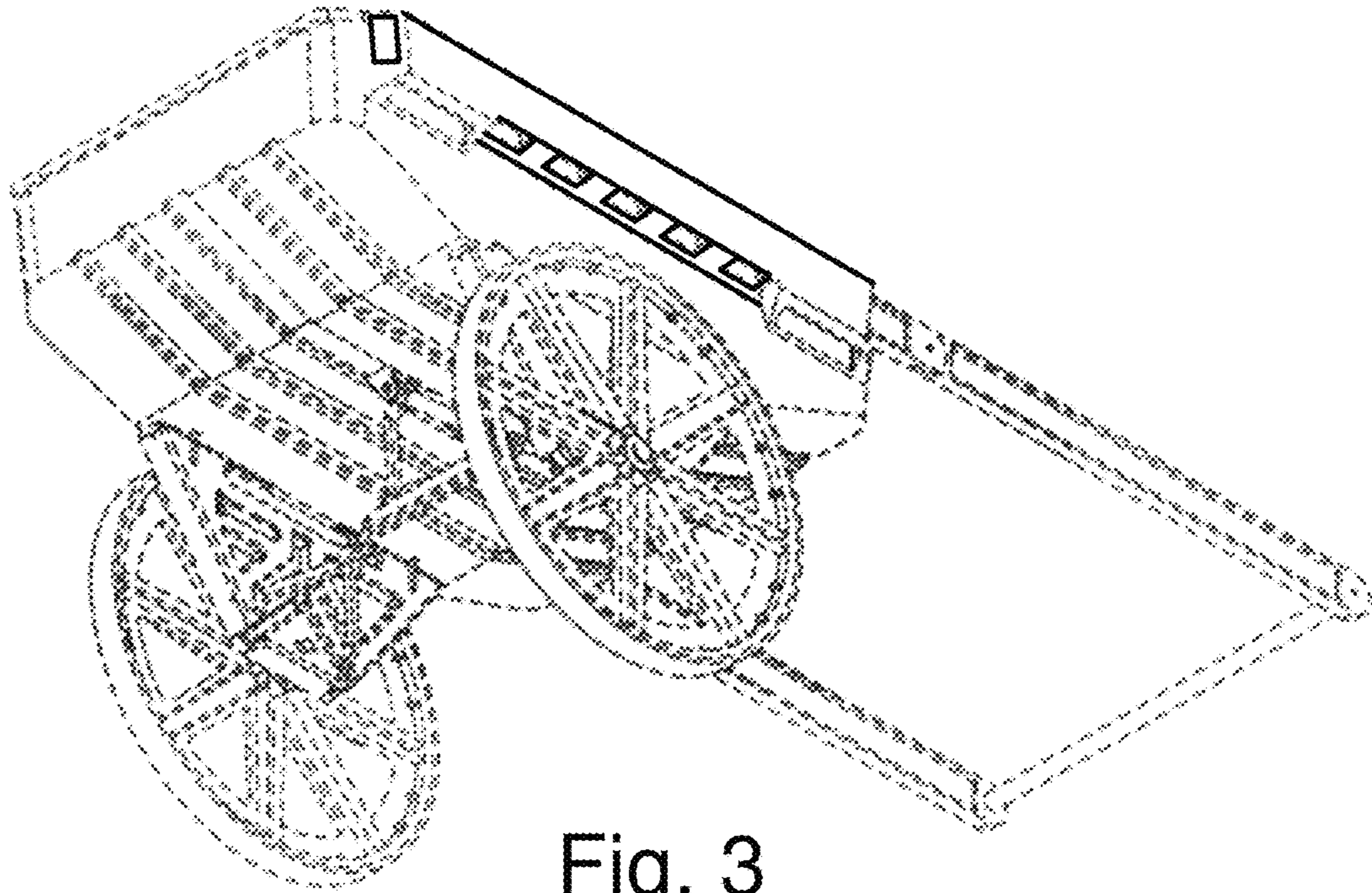


Fig. 3

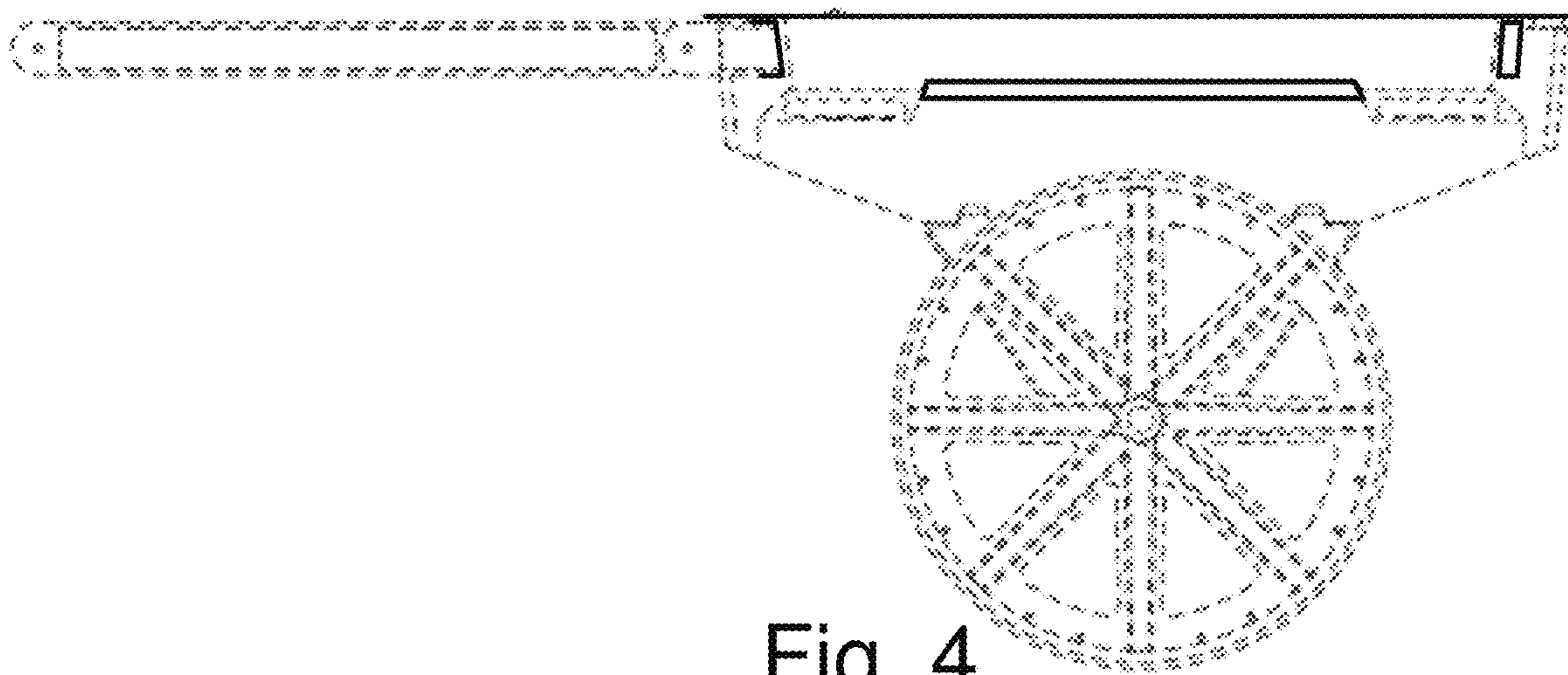


Fig. 4

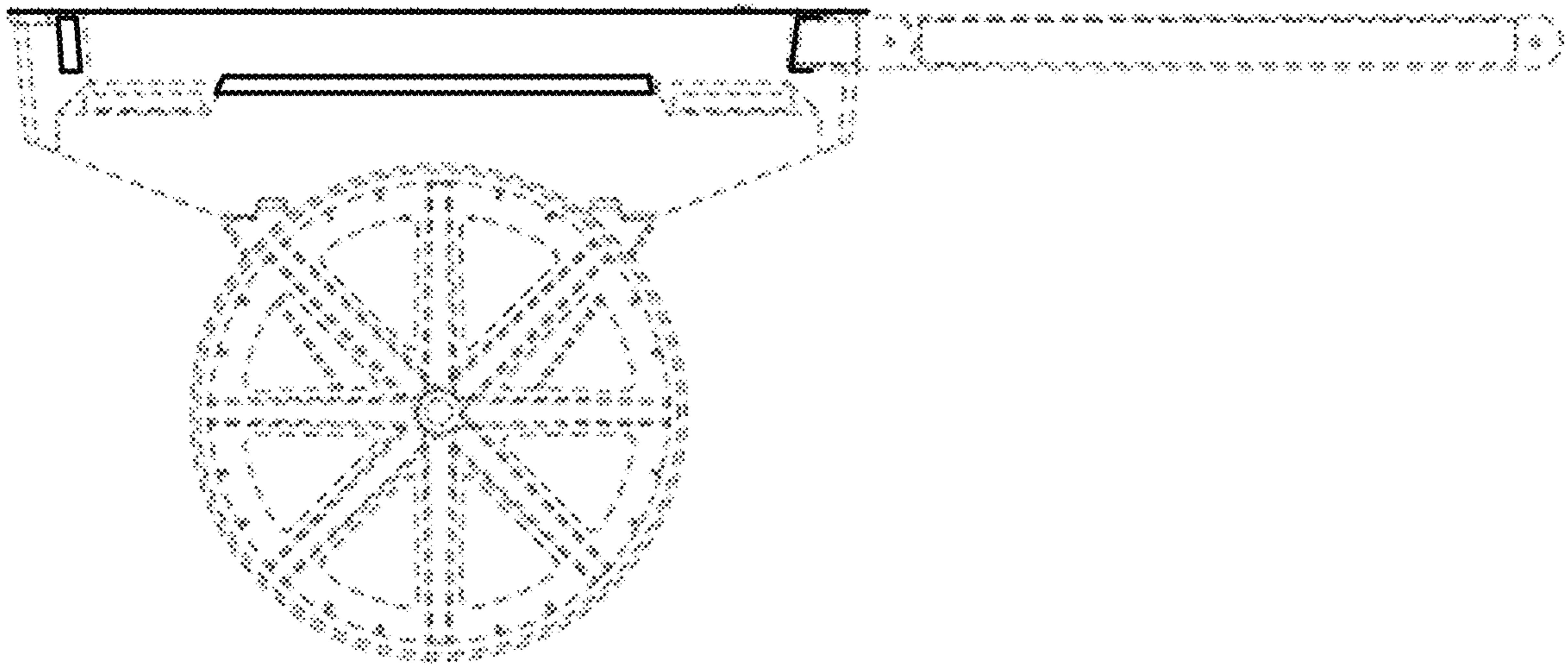


Fig. 5

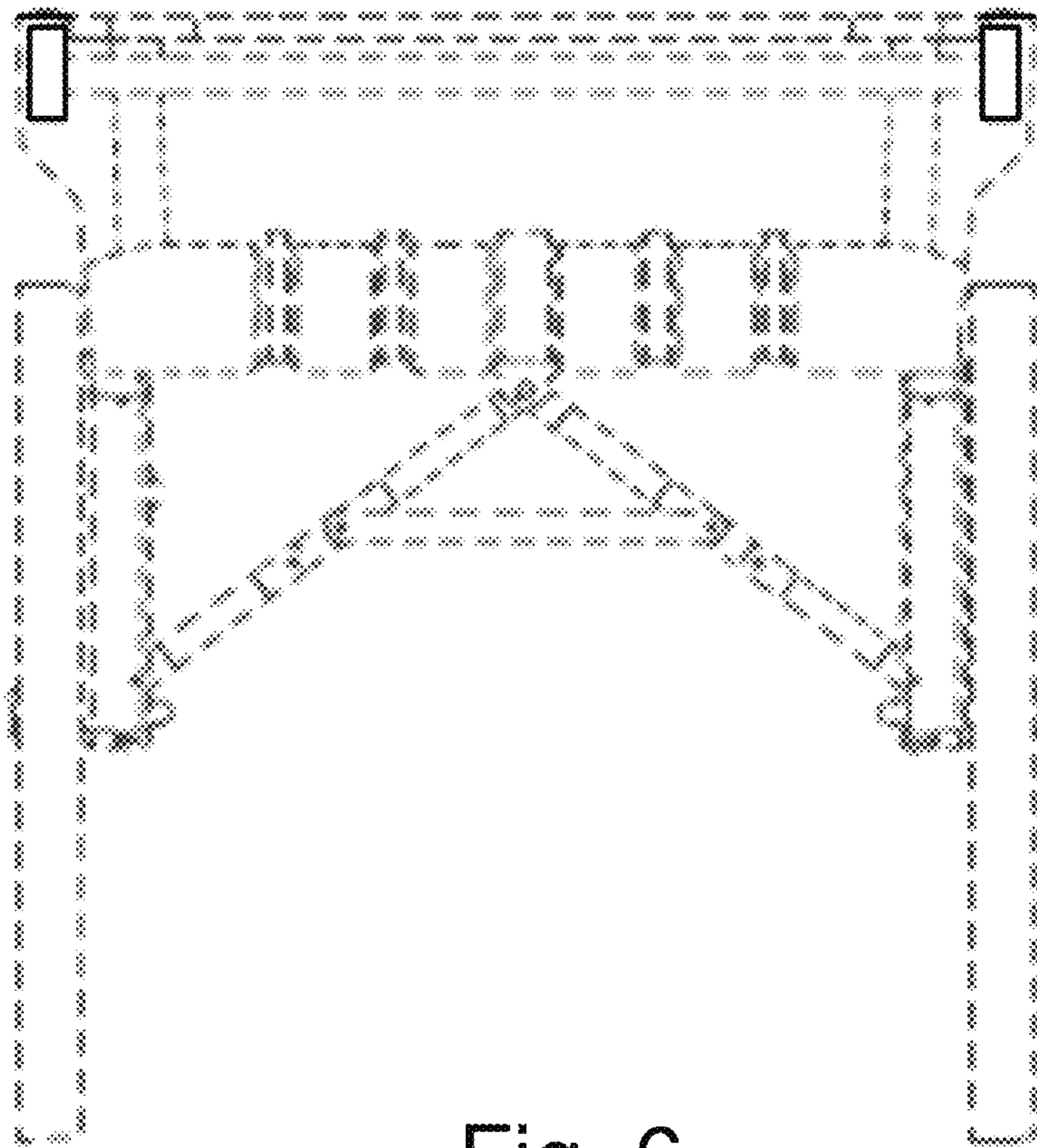


Fig. 6