



US00D924525S

(12) **United States Design Patent**
Lam et al.

(10) **Patent No.:** **US D924,525 S**
(45) **Date of Patent:** **** Jul. 6, 2021**

(54) **DOLLY**
(71) Applicant: **CANADIAN TIRE CORPORATION LIMITED**, Toronto (CA)
(72) Inventors: **Heather Lam**, Toronto (CA); **Michael Robert**, Toronto (CA); **Rameez Ayaz**, Toronto (CA); **Brandon Bickle**, Oshawa (CA)

D513,694 S * 1/2006 Vitkauskas B62B 1/12
D8/300
D718,605 S * 12/2014 Yang B62B 3/102
D15/89
9,278,703 B1 * 3/2016 Hollub, IV B25H 1/04
2003/0173753 A1 * 9/2003 Pong B62B 1/12
280/47.27
2004/0200667 A1 * 10/2004 Babkes B62B 1/002
182/20

(73) Assignee: **Canadian Tire Corporation Limited**
(**) Term: **15 Years**

(21) Appl. No.: **29/680,443**

(22) Filed: **Feb. 15, 2019**

(30) **Foreign Application Priority Data**

Sep. 5, 2018 (CA) 183400

(51) **LOC (13) Cl.** **12-02**

(52) **U.S. Cl.**
USPC **D34/23; D8/315**

(58) **Field of Classification Search**
USPC D34/23, 12, 13, 14, 15, 16, 17, 18, 19,
D34/20, 24, 25, 26, 27; D3/272, 276,
D3/279, 281; D8/315

CPC B62B 1/00; B62B 5/06
See application file for complete search history.

(56) **References Cited**

U.S. PATENT DOCUMENTS

5,340,135 A * 8/1994 Womberly B62B 1/10
280/47.19
5,624,224 A * 4/1997 Brandenburg B62B 1/145
280/47.27
D455,882 S * 4/2002 Ziolkowski B62B 1/264
D34/24
6,554,300 B1 * 4/2003 Ziolkowski B62B 1/264
280/47.27

OTHER PUBLICATIONS

Milwaukee Hand Truck, announced 2020 [online], [site visited Mar. 10, 2020]. Available from internet, URL: <https://www.amazon.com/Milwaukee-300-Capacity-Hand-Truck/dp/B0026SMCK0> (Year: 2020).
Expandable Hand Truck, announced 2019 [online], [site visited Mar. 10, 2020]. Available from internet, URL: <https://www.wayfair.com/storage-organization/pdx/harper-trucks-600-lb-capacity-expandable-hand-truck-dolly-oha10002.html> (Year: 2019).*

* cited by examiner

Primary Examiner — George A Bugg

Assistant Examiner — Tamara L Hahn

(74) *Attorney, Agent, or Firm* — Lorelei G. Graham

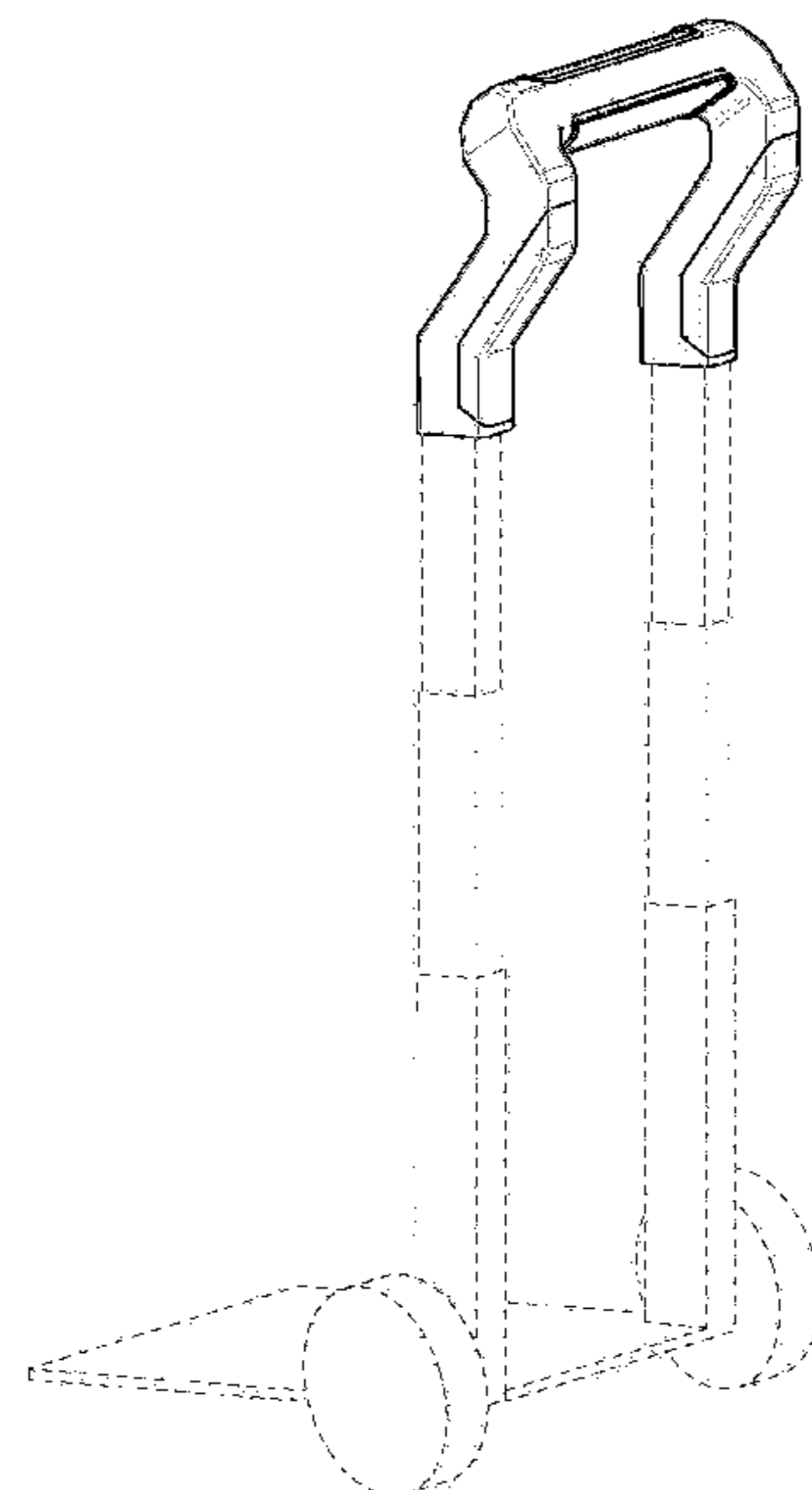
(57) **CLAIM**

The ornamental design for a dolly, as shown and described.

DESCRIPTION

FIG. 1 is an isometric view of a dolly;
FIG. 2 is a front view thereof;
FIG. 3 is a rear view thereof.
FIG. 4 is a side view thereof;
FIG. 5 is an opposite side view thereof;
FIG. 6 is a top view thereof; and,
FIG. 7 is a bottom view thereof.
The broken lines illustrating the dolly form no part of the claimed design.

1 Claim, 4 Drawing Sheets



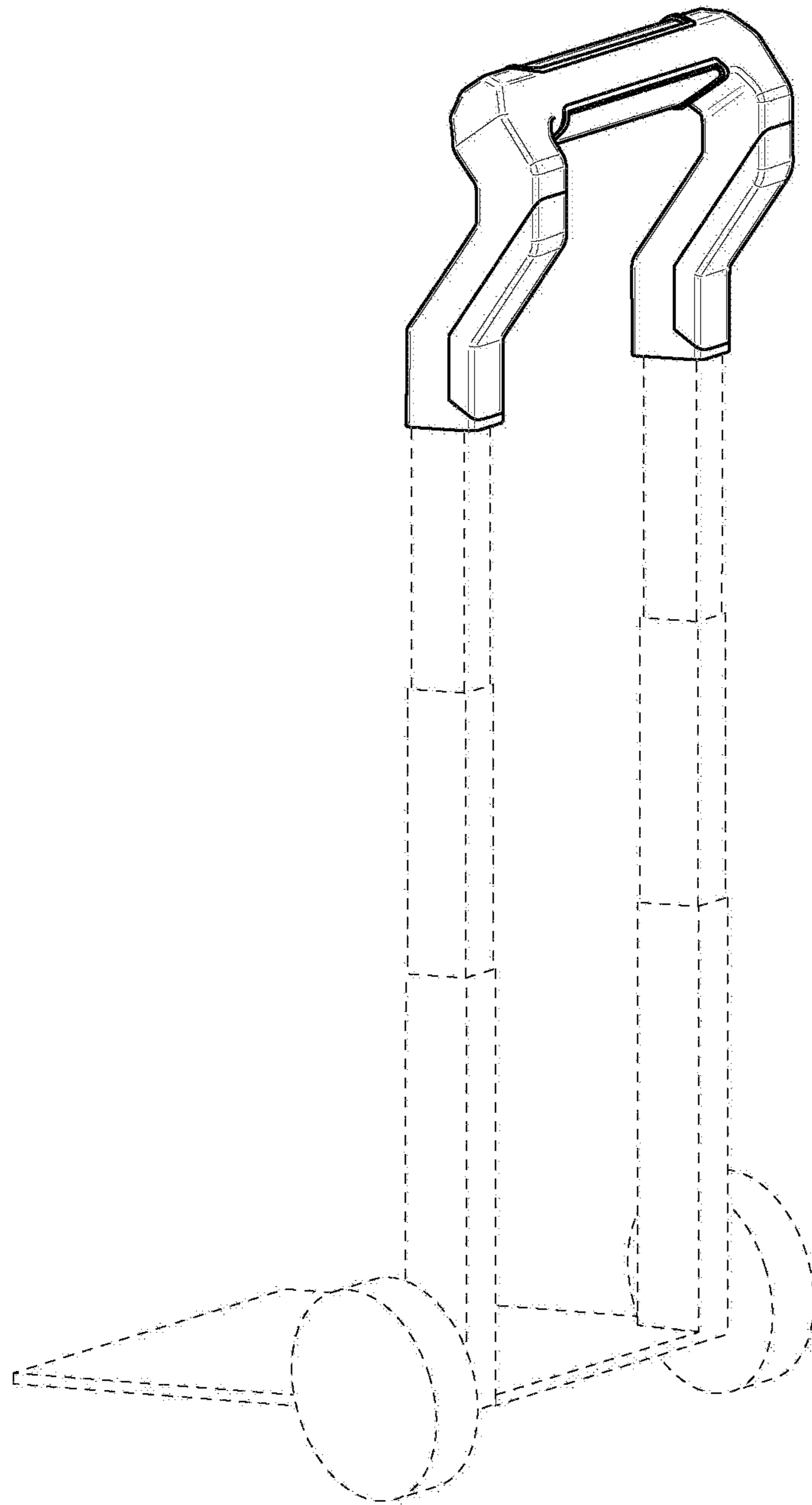


FIG. 1

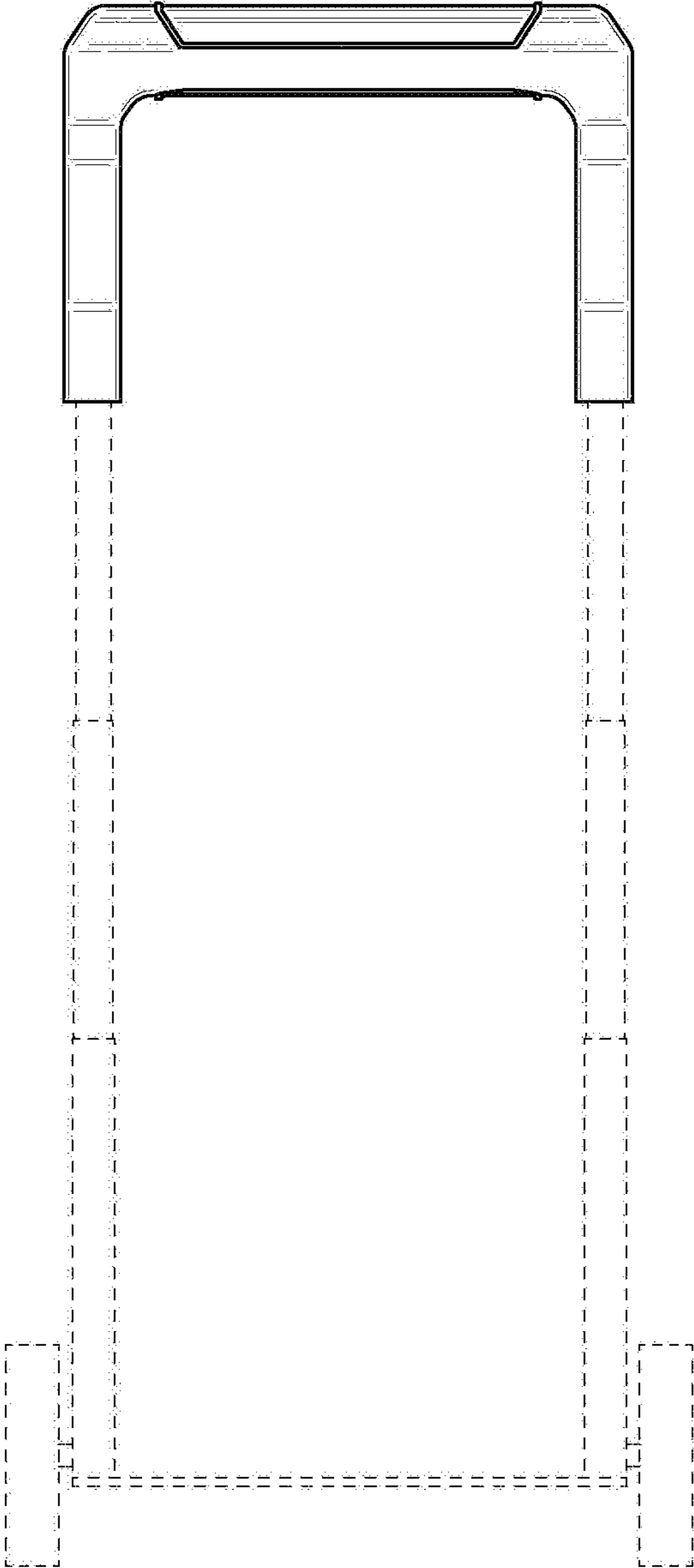


FIG. 2

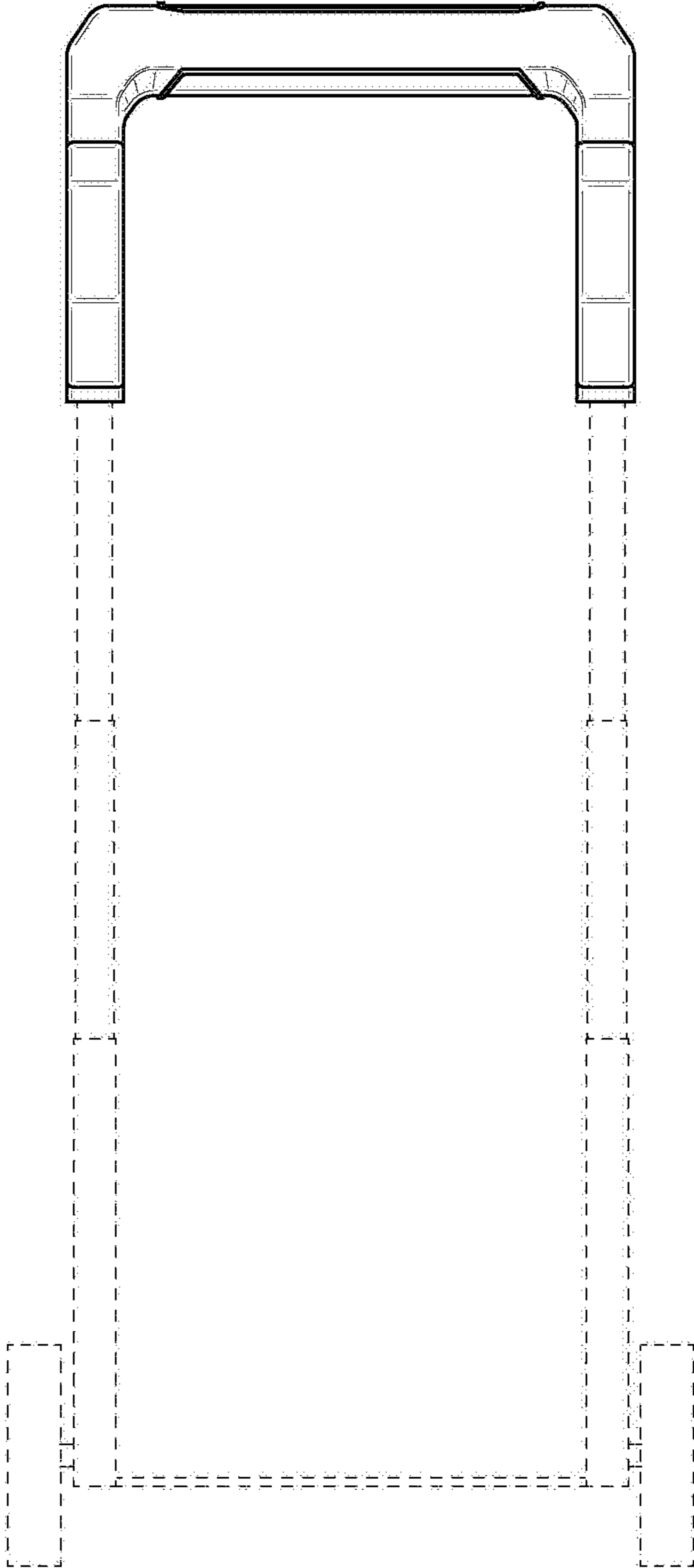


FIG. 3

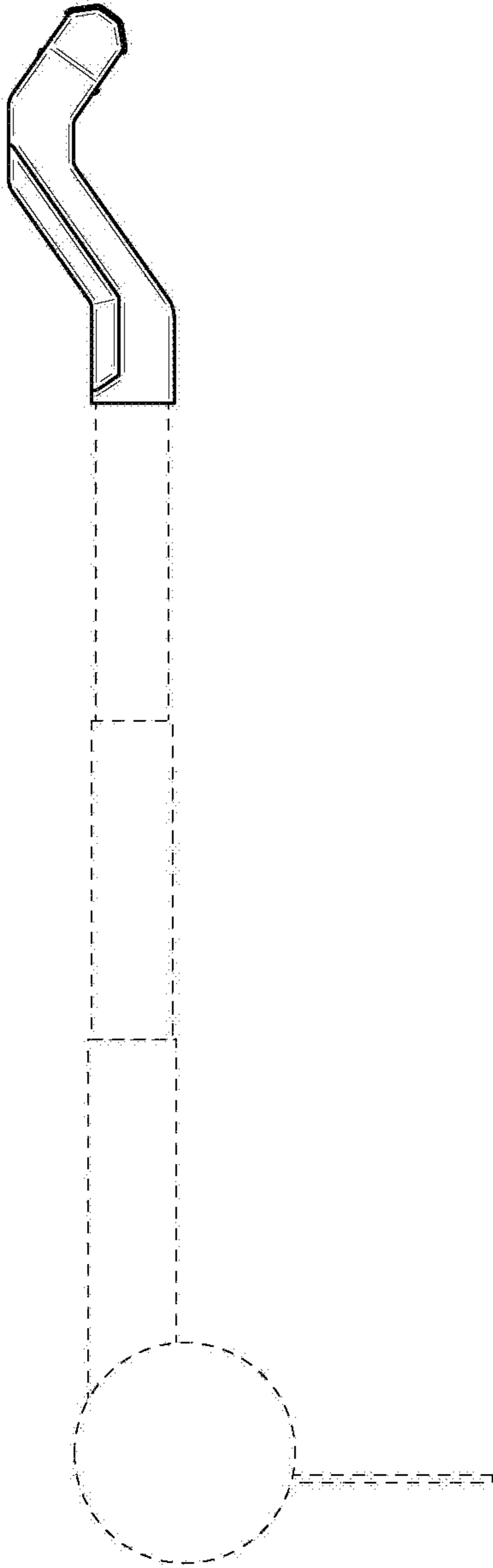


FIG. 4

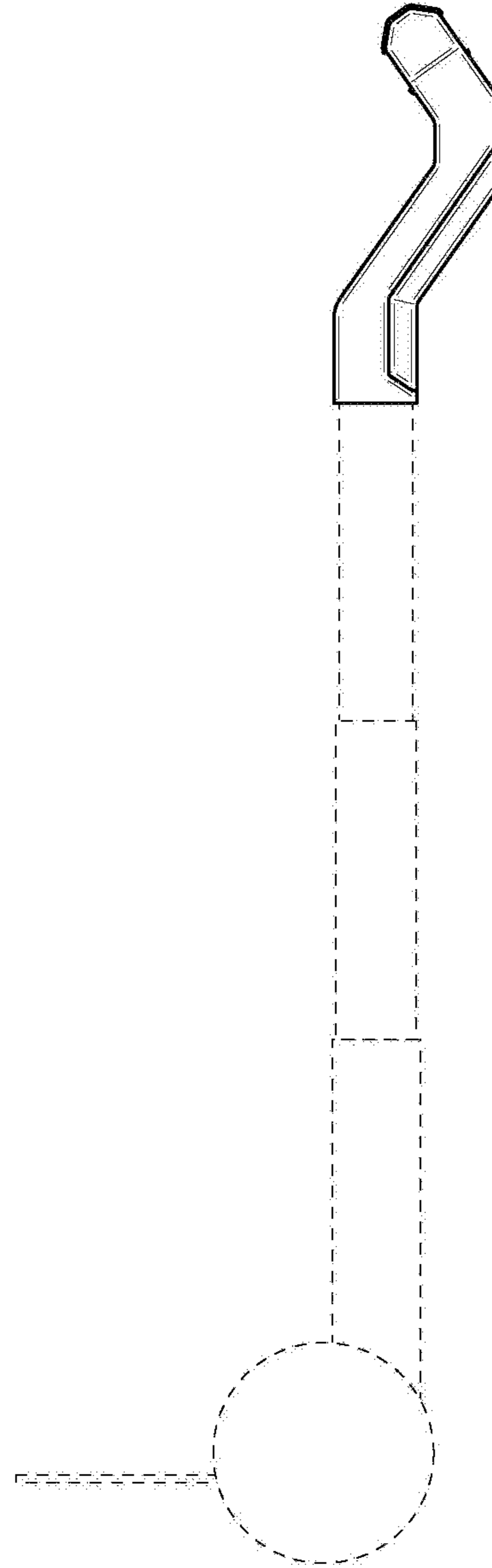


FIG. 5

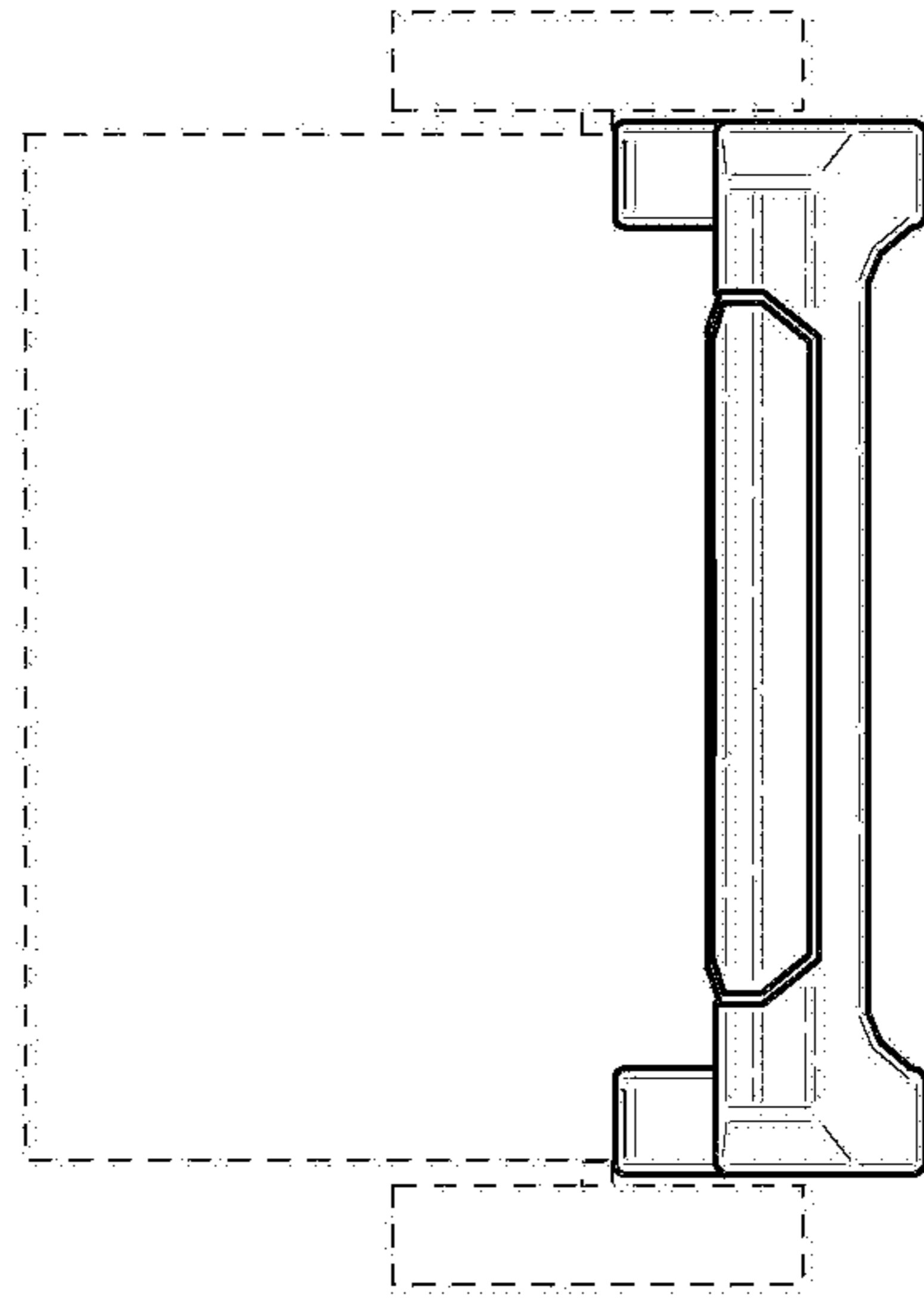


FIG. 6

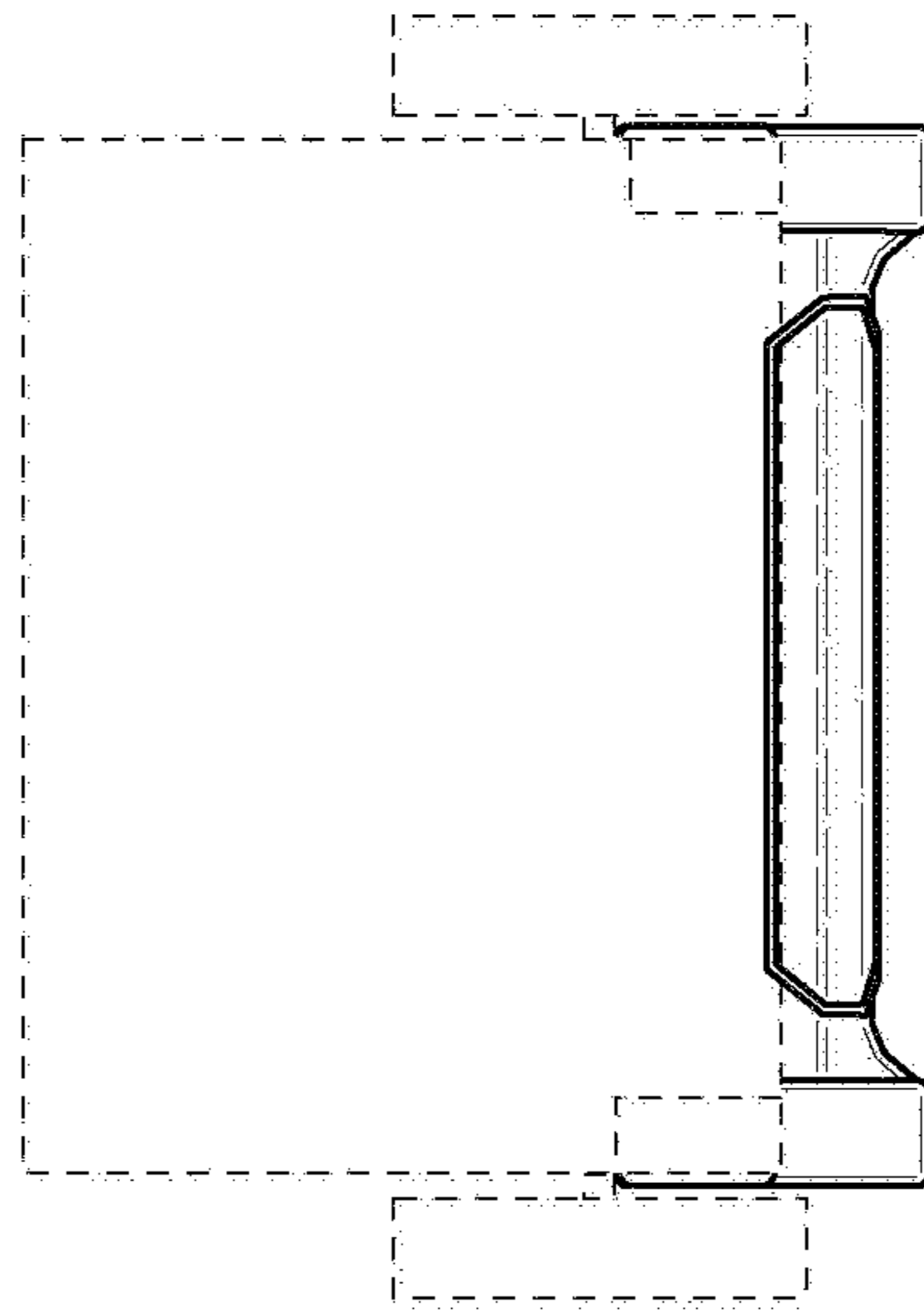


FIG. 7