



US00D924522S

(12) **United States Design Patent** (10) **Patent No.:** **US D924,522 S**  
**Jang** (45) **Date of Patent:** **\*\* Jul. 6, 2021**

(54) **EVACUATION STATION**  
(71) Applicant: **iRobot Corporation**, Bedford, MA (US)  
(72) Inventor: **Stuart R. Jang**, Sudbury, MA (US)  
(73) Assignee: **iRobot Corporation**, Bedford, MA (US)  
(\*\*) Term: **15 Years**

D775,990 S \* 1/2017 White ..... D10/113.2  
D775,991 S \* 1/2017 White ..... D10/113.2  
D780,473 S \* 3/2017 Brownley ..... D6/515  
D781,064 S \* 3/2017 Brownley ..... D6/515  
D781,065 S \* 3/2017 Brownley ..... D6/515  
D782,329 S \* 3/2017 Sobel ..... D9/734  
D789,142 S \* 6/2017 Broen ..... D7/307  
D790,145 S \* 6/2017 Chen ..... D34/7  
D793,642 S \* 8/2017 Yang ..... D34/7  
D801,074 S \* 10/2017 Brownley ..... D6/515  
D809,819 S \* 2/2018 Johnson ..... D6/542  
D809,821 S \* 2/2018 Moore ..... D6/545

(Continued)

(21) Appl. No.: **29/646,572**

(22) Filed: **May 4, 2018**

(51) **LOC (13) Cl.** ..... **09-09**

(52) **U.S. Cl.**  
USPC ..... **D34/7**

(58) **Field of Classification Search**  
USPC ..... D15/9, 17, 124-134, 138-143, 146;  
D18/34.1-34.4; D30/121, 122, 127;  
D34/7  
CPC .... B65F 1/06; B65F 1/08; B65F 1/163; B65F  
7/00; Y10S 220/908  
See application file for complete search history.

(56) **References Cited**

U.S. PATENT DOCUMENTS

6,076,226 A 6/2000 Reed  
6,389,329 B1 5/2002 Colens  
6,748,297 B2 6/2004 Song et al.  
7,031,805 B2 4/2006 Lee et al.  
7,055,210 B2 6/2006 Keppler et al.  
D524,497 S 7/2006 Bruneau  
8,092,562 B2 1/2012 Sauer et al.  
D675,802 S \* 2/2013 Yang ..... D34/7  
D675,803 S \* 2/2013 Yang ..... D34/7  
8,528,157 B2 9/2013 Schnittman et al.  
D725,861 S \* 3/2015 Yang ..... D34/7  
9,027,199 B2 5/2015 Jung et al.  
9,462,920 B1 10/2016 Morin et al.  
D773,315 S \* 12/2016 Wahl ..... D9/734

OTHER PUBLICATIONS

Simplehuman Sensor Trash Can, posted on amazon.com, earliest reviewed Nov. 15, 2017. [online], [site visited Mar. 23, 2020], available on internet, URL: <https://amzn.to/2wvmYco> (Year: 2017).\*

(Continued)

*Primary Examiner* — Michael C Stout  
*Assistant Examiner* — Fritzgerald L Butac  
(74) *Attorney, Agent, or Firm* — Fish & Richardson P.C.

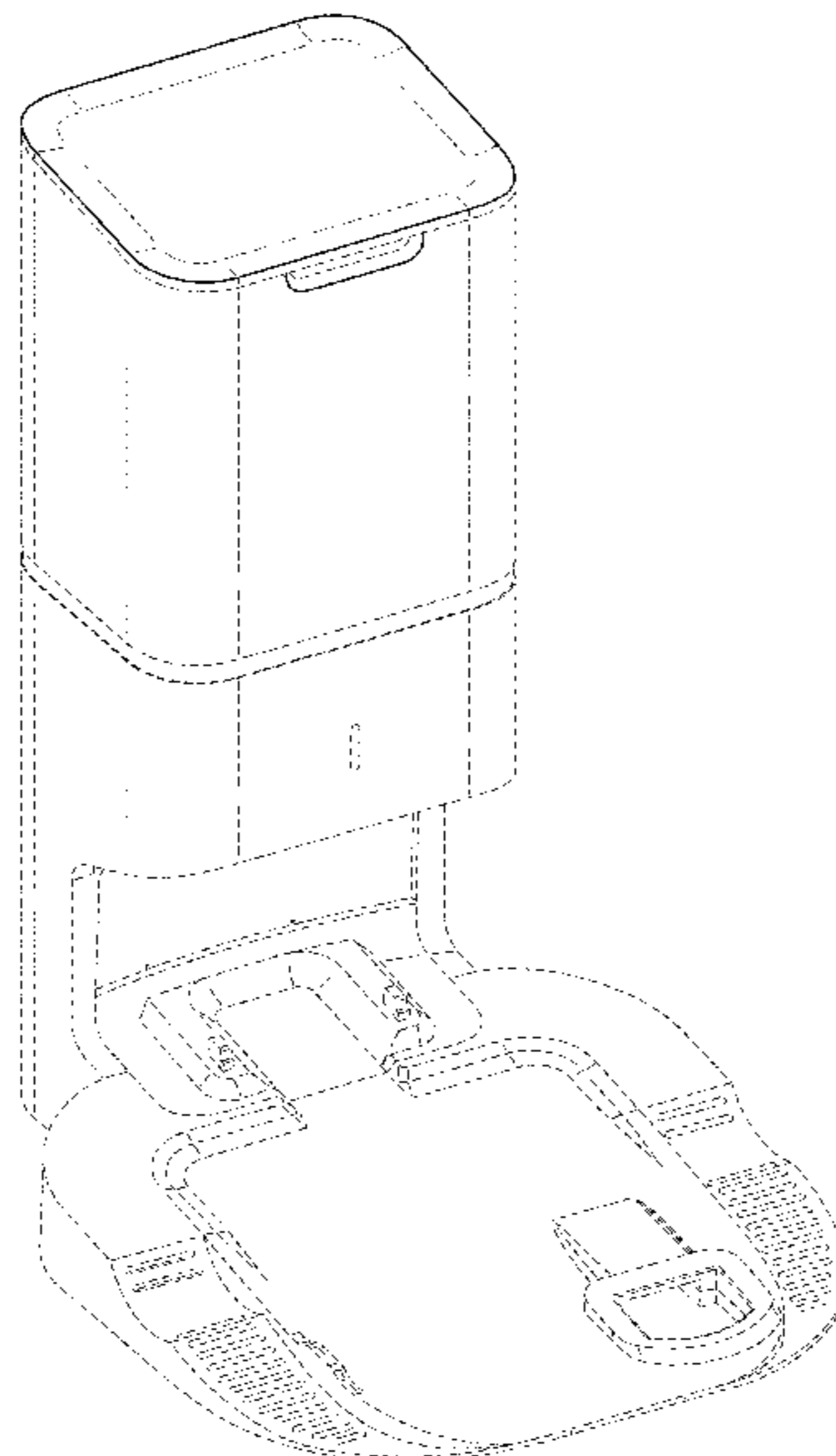
(57) **CLAIM**

The ornamental design for an evacuation station, substantially as shown and described.

**DESCRIPTION**

FIG. 1 is a perspective view of the evacuation station.  
FIG. 2 is a front view thereof.  
FIG. 3 is a back view thereof.  
FIG. 4 is right side view thereof.  
FIG. 5 is left side view thereof.  
FIG. 6 is top view thereof; and,  
FIG. 7 is bottom view thereof.  
The broken lines illustrate environmental features that form no part of the claimed design.

**1 Claim, 7 Drawing Sheets**



(56)

References Cited

U.S. PATENT DOCUMENTS

D820,333 S \* 6/2018 Merrifield ..... D15/150  
 D835,162 S \* 12/2018 Reches ..... D15/122  
 D835,374 S \* 12/2018 Yang ..... D34/7  
 D855,179 S \* 7/2019 Butler ..... D24/128  
 D855,919 S \* 8/2019 Yang ..... D34/7  
 D856,023 S \* 8/2019 Harris ..... D6/515  
 D856,058 S \* 8/2019 Szabo ..... D7/306  
 D860,672 S \* 9/2019 Cross ..... D6/518  
 D860,676 S \* 9/2019 Khamphilapanyo ..... D6/545  
 D869,108 S \* 12/2019 Williams ..... D32/21  
 D871,012 S \* 12/2019 Chen ..... D34/7  
 D871,707 S \* 12/2019 Chen ..... D34/7  
 D871,818 S \* 1/2020 Squires ..... D7/307  
 D872,958 S \* 1/2020 Chen ..... D34/7  
 2005/0150519 A1 7/2005 Keppler et al.  
 2007/0226949 A1 10/2007 Hahm et al.  
 2008/0201895 A1 8/2008 Kim et al.  
 2008/0235897 A1 10/2008 Kim et al.

2009/0049640 A1 2/2009 Lee et al.  
 2012/0011677 A1 1/2012 Jung et al.  
 2013/0298350 A1 11/2013 Schnittman et al.  
 2016/0166126 A1 6/2016 Morin et al.  
 2016/0183752 A1 6/2016 Morin et al.  
 2020/0069139 A1\* 3/2020 Johnson ..... A47L 9/149

OTHER PUBLICATIONS

[No Author Listed] “Bosch Part#462544—Genuine Type G Mega  
 filt SuperTex Vacuum Bag (BBZ51AFG2U)—Fits Bosch Compact  
 Series and Formula Series Vacuums—5/Package,” Dec. 29, 2011,  
 retrieved on May 10, 2018, retrieved from URL <[https://www.  
 amazon.com/Bosch-Part-462544-MEGAfilt-BBZ51AFG2U/dp/  
 B000UM2ENE/](https://www.amazon.com/Bosch-Part-462544-MEGAfilt-BBZ51AFG2U/dp/B000UM2ENE/)>, 8 pages.  
 [No Author Listed] “Staubaugerbeutel Von Kobold,” retrieved on  
 May 10, 2018, retrieved from URL <[https://kobold.vorwerk.de/  
 staubaugerbeutel/](https://kobold.vorwerk.de/staubaugerbeutel/)>, 49 pages (English Translation).

\* cited by examiner

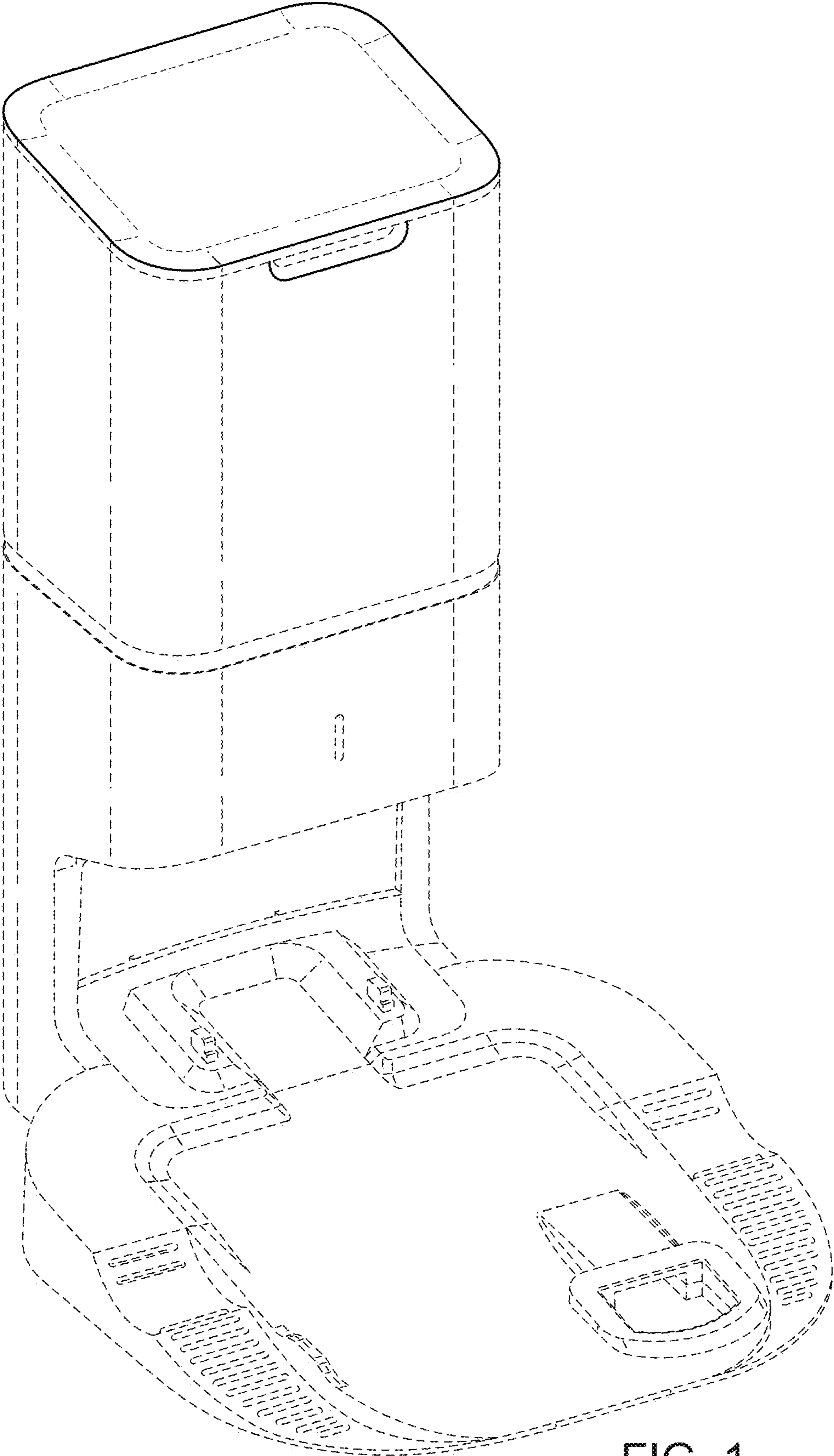


FIG. 1

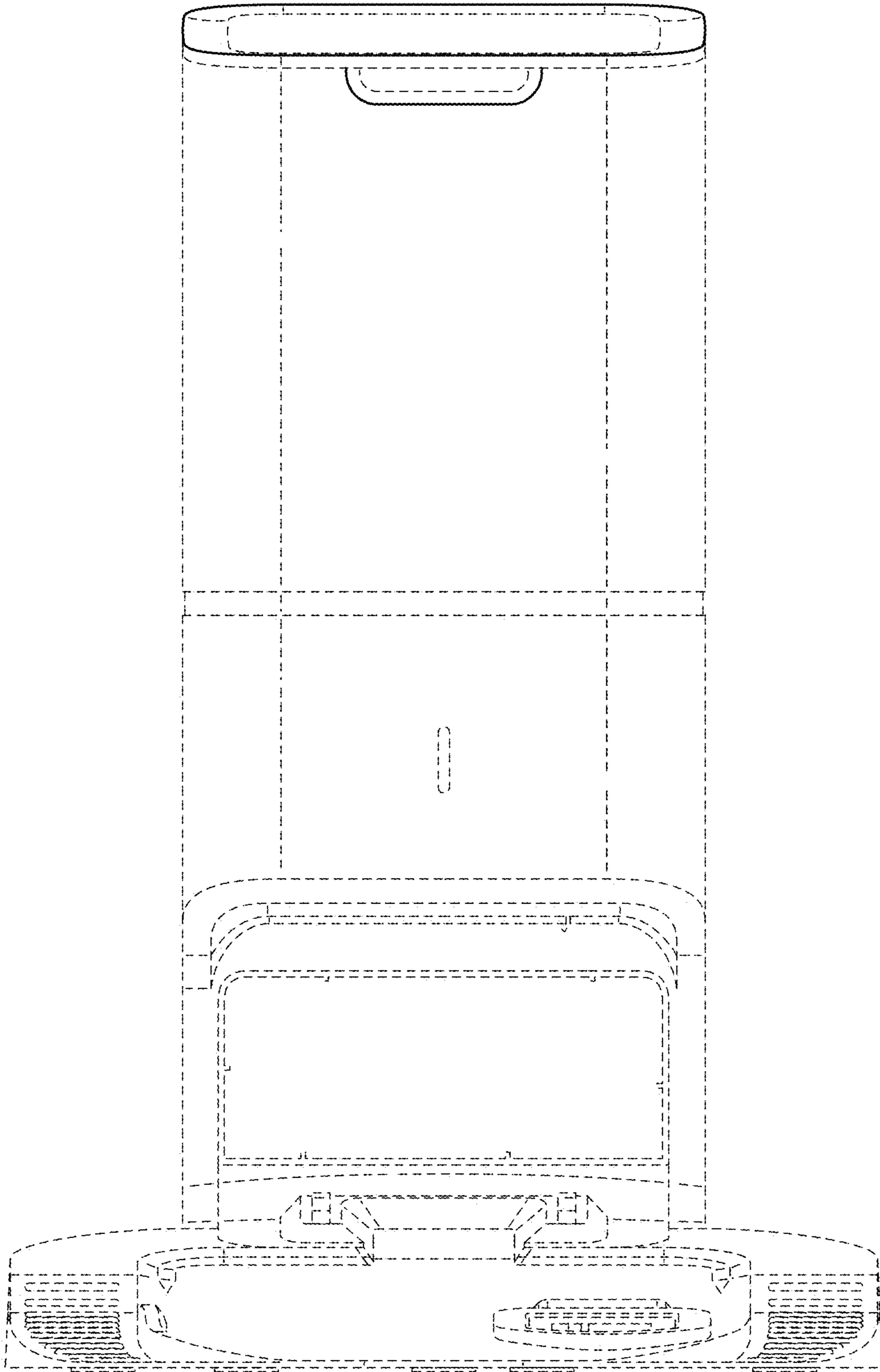


FIG. 2

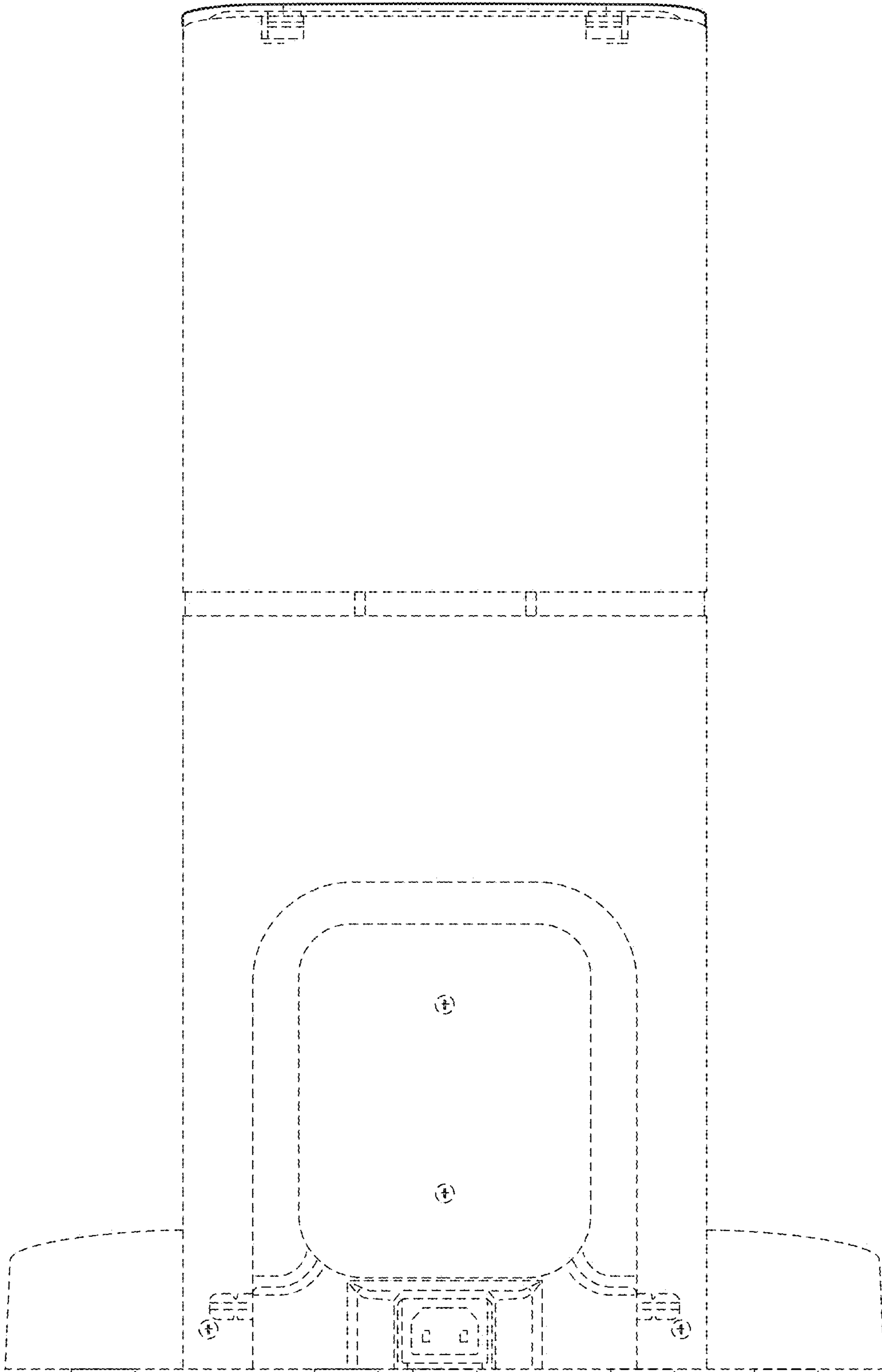


FIG. 3

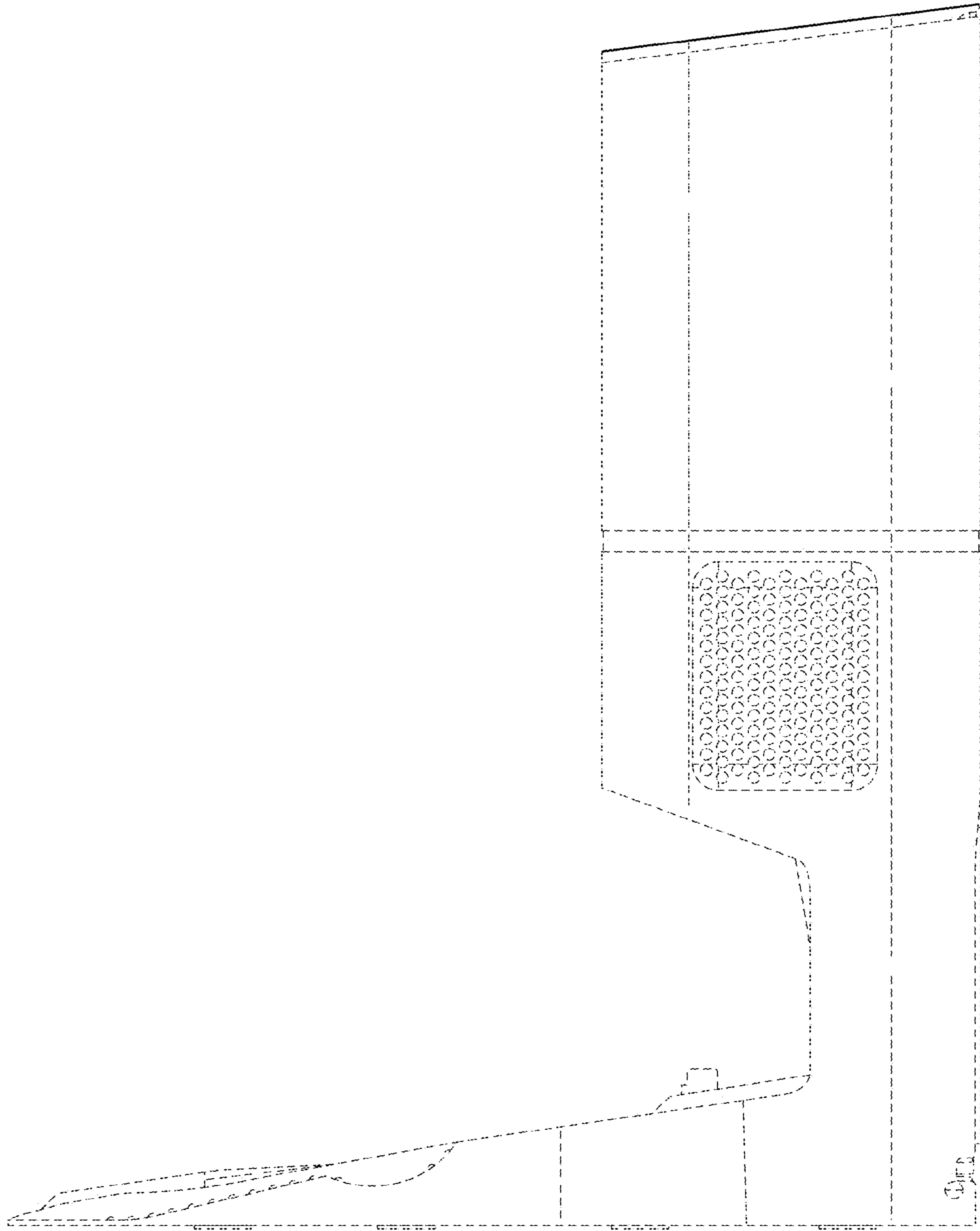


FIG. 4

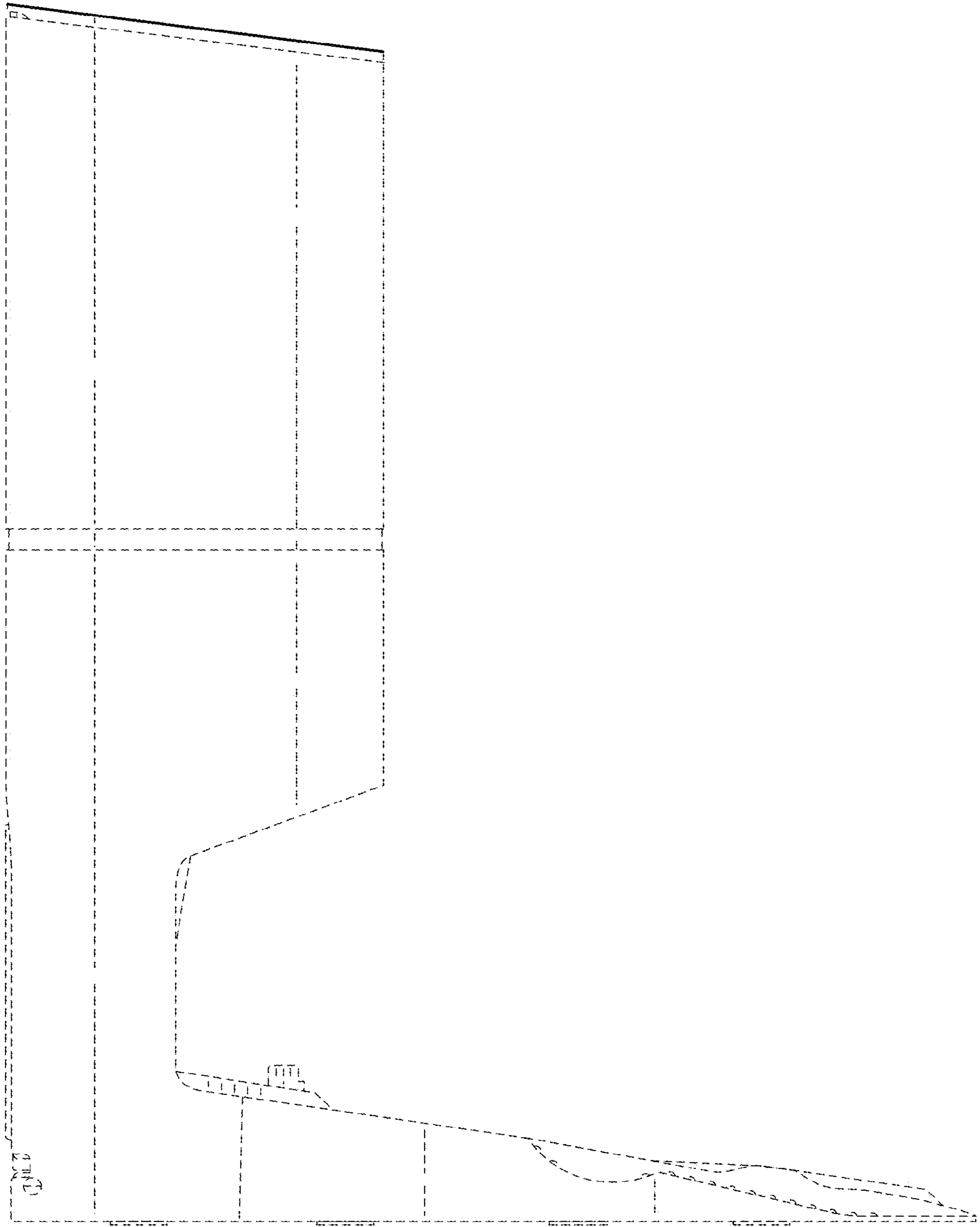


FIG. 5

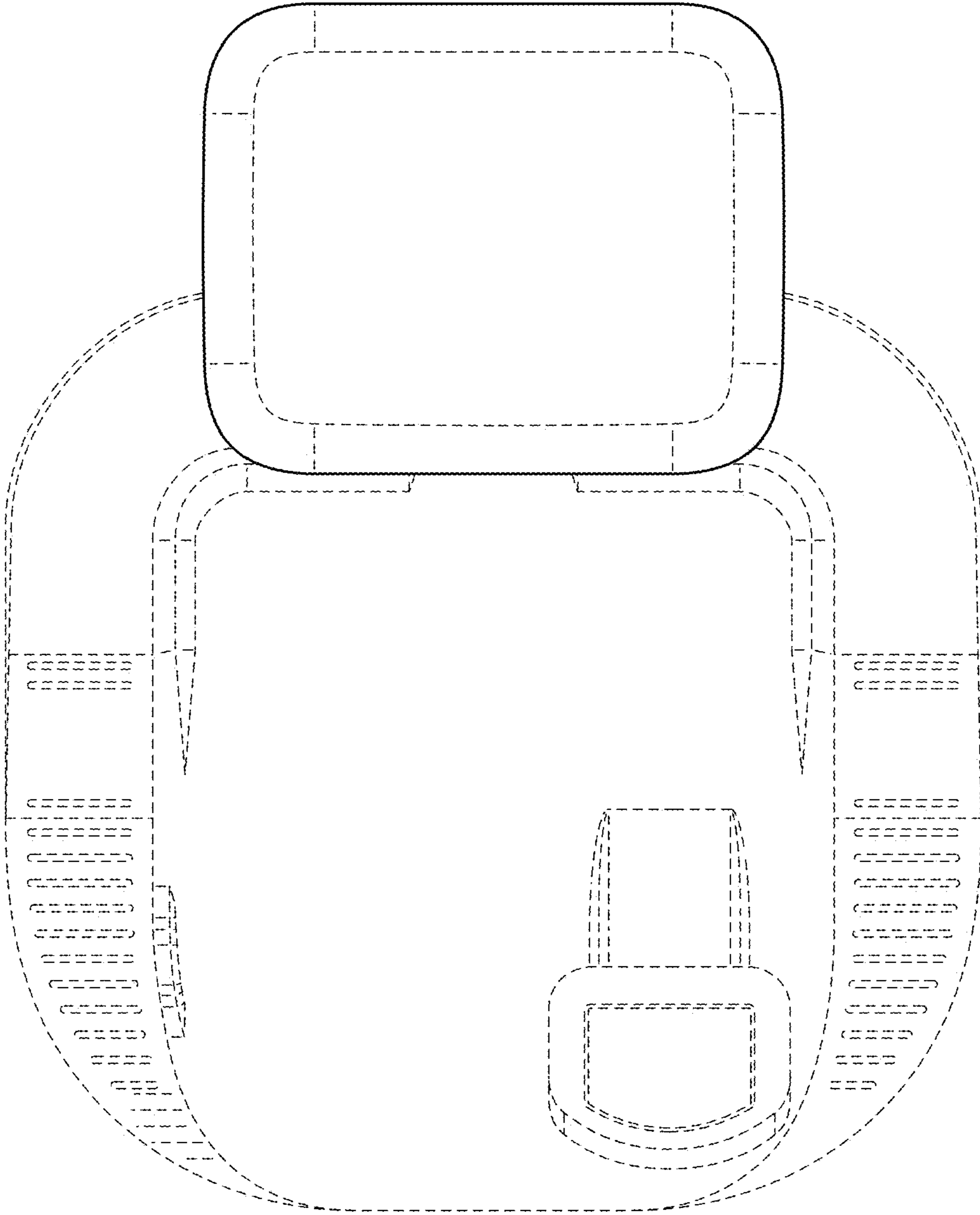


FIG. 6



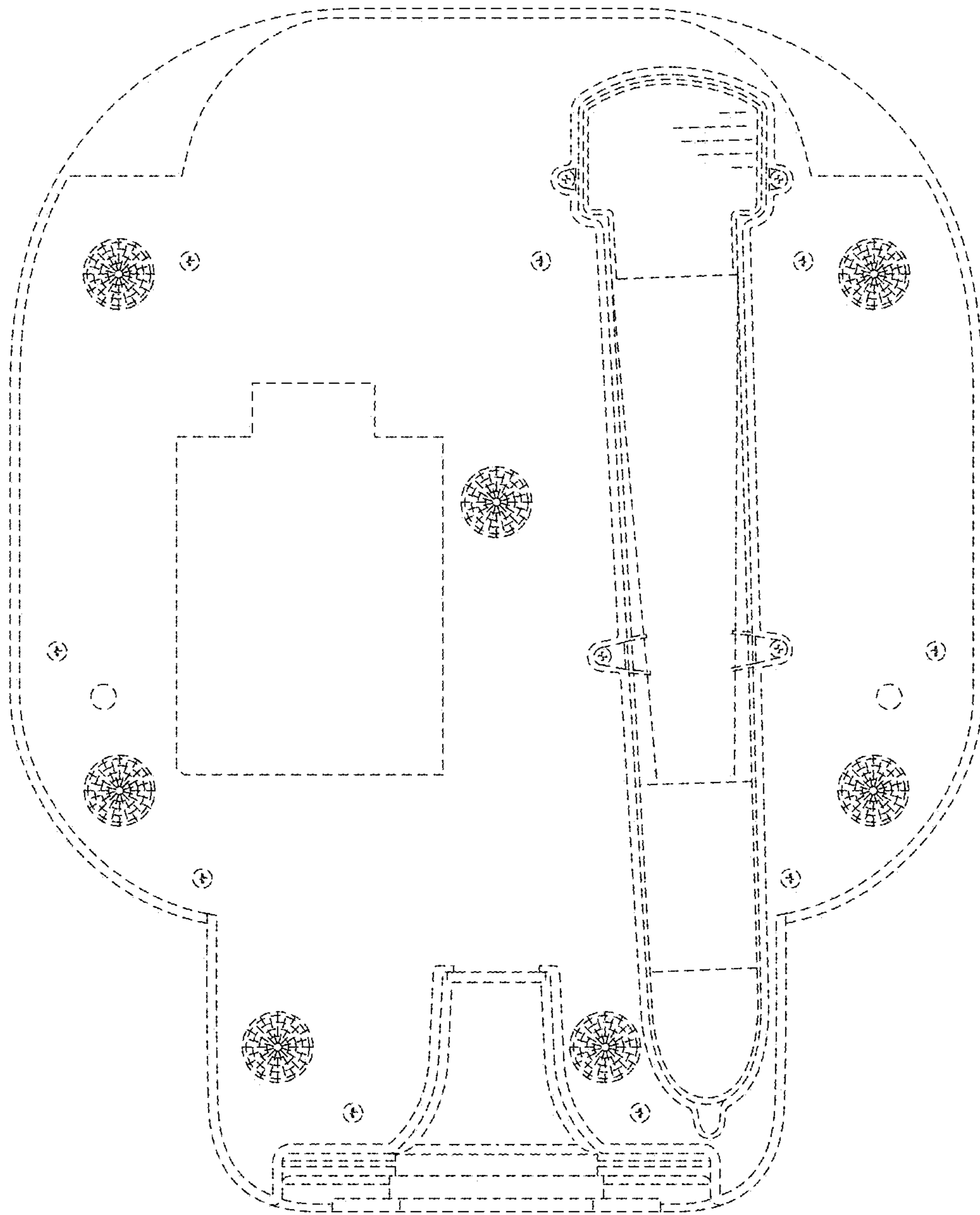


FIG. 7