



US00D924521S

(12) **United States Design Patent** (10) **Patent No.:** **US D924,521 S**  
**Erlich et al.** (45) **Date of Patent:** **\*\* Jul. 6, 2021**

(54) **GARBAGE BIN SPRAY HOUSING**  
 (71) Applicant: **BinGuard Inc.**, North York (CA)  
 (72) Inventors: **Steven B. Erlich**, North York (CA);  
**Dylan A. Goldstein**, North York (CA)  
 (73) Assignee: **BINGUARD INC.**, North York (CA)  
 (\*\*) Term: **15 Years**  
 (21) Appl. No.: **29/696,689**  
 (22) Filed: **Jun. 28, 2019**  
 (51) **LOC (13) Cl.** ..... **09-09**  
 (52) **U.S. Cl.**  
 USPC ..... **D34/5**  
 (58) **Field of Classification Search**  
 USPC ..... D34/5, 6, 7, 9, 10, 11  
 CPC .... B65F 1/16; B65F 1/15; B65F 1/163; B65F  
 88/56; B65F 1/122; B65F 1/1468; B65F  
 1/1473  
 See application file for complete search history.

(56) **References Cited**  
 U.S. PATENT DOCUMENTS  
 D532,173 S \* 11/2006 Aiken ..... D34/5  
 D568,022 S \* 4/2008 Bureau ..... D34/5  
 D641,124 S \* 7/2011 Rampton ..... D34/11  
 D643,988 S \* 8/2011 Arthurson ..... D34/9  
 8,424,714 B2 \* 4/2013 Kruse ..... B65F 1/122  
 220/756  
 D845,577 S \* 4/2019 Foster ..... D34/11  
 2003/0213808 A1 \* 11/2003 Berger ..... B65F 1/1473  
 220/832  
 2004/0222231 A1 \* 11/2004 Aiken ..... B65F 1/16  
 220/759

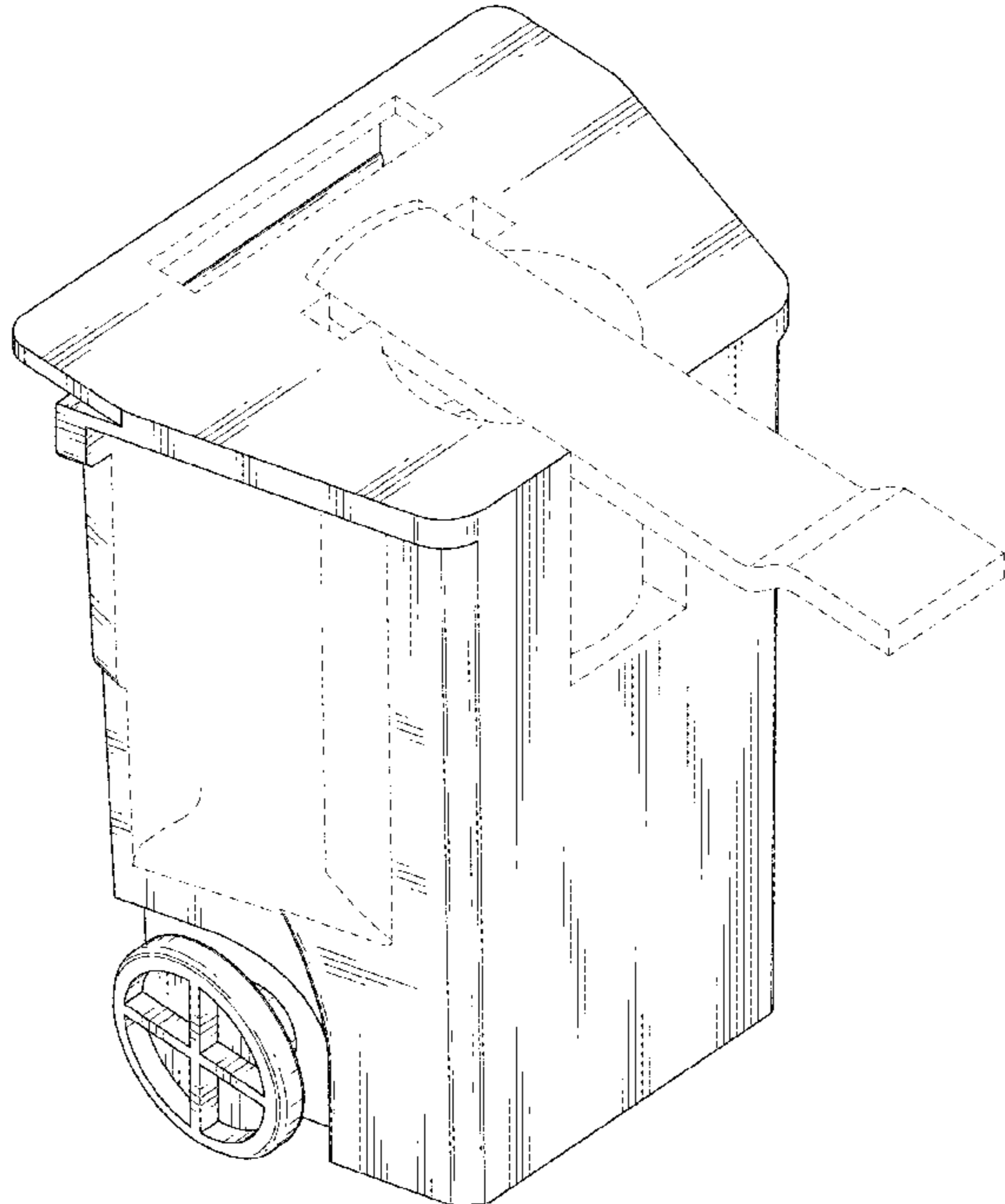
2005/0029763 A1 \* 2/2005 Hassell ..... B65F 1/1615  
 280/47.26  
 2009/0127809 A1 \* 5/2009 Meers ..... B65F 1/16  
 280/47.26  
 2011/0214400 A1 \* 9/2011 Hanna ..... B65D 43/16  
 53/476  
 2012/0325818 A1 \* 12/2012 Heller ..... B65F 1/06  
 220/495.08  
 2014/0367292 A1 \* 12/2014 Bonello ..... G09F 15/0043  
 206/459.1  
 2017/0022005 A1 \* 1/2017 Foster ..... B62B 1/16  
 2017/0022006 A1 \* 1/2017 Foster ..... B65F 1/1615  
 2017/0320667 A1 \* 11/2017 Stone ..... B65F 1/14  
 2018/0222673 A1 \* 8/2018 Stark ..... B65F 1/1473  
 2019/0382199 A1 \* 12/2019 Nolet ..... B65F 1/1452  
 2020/0231380 A1 \* 7/2020 Kinder ..... B65F 1/1484

\* cited by examiner  
*Primary Examiner* — Cynthia Ramirez  
 (74) *Attorney, Agent, or Firm* — Millman IP Inc.

(57) **CLAIM**  
 The ornamental design for a garbage bin spray housing, as shown and described.

**DESCRIPTION**  
 FIG. 1 is a perspective view from above, to the front and to one side of the new design for a garbage bin spray housing; FIG. 2 is a front view thereof; FIG. 3 is a rear view thereof; FIG. 4 is a right side view thereof; FIG. 5 is a left side view thereof; FIG. 6 is a top view thereof; and, FIG. 7 is a bottom view thereof.  
 In the drawings, the broken lines are for the purpose of illustrating portions of the article that form no part of the claim.

**1 Claim, 7 Drawing Sheets**



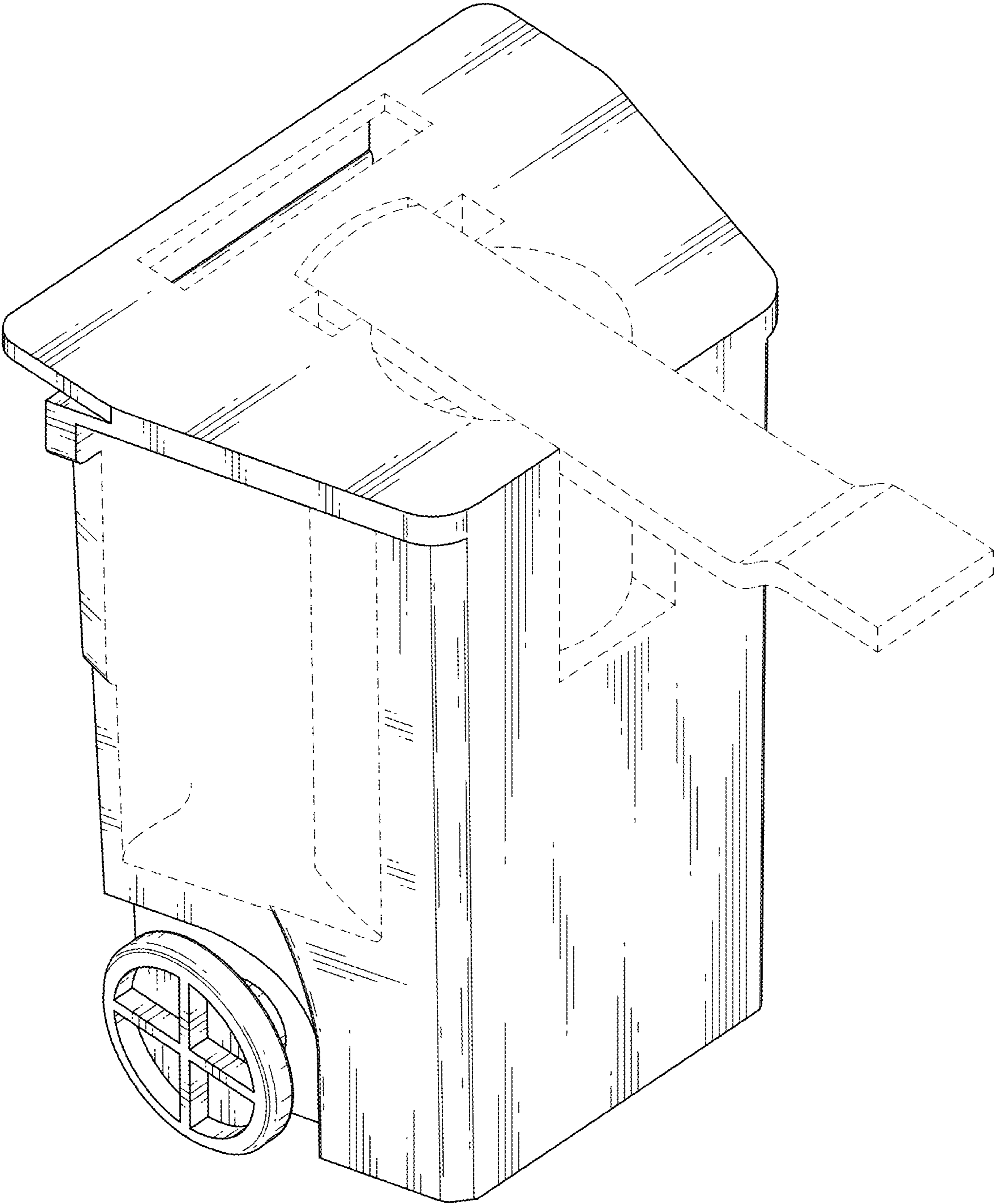


FIG. 1

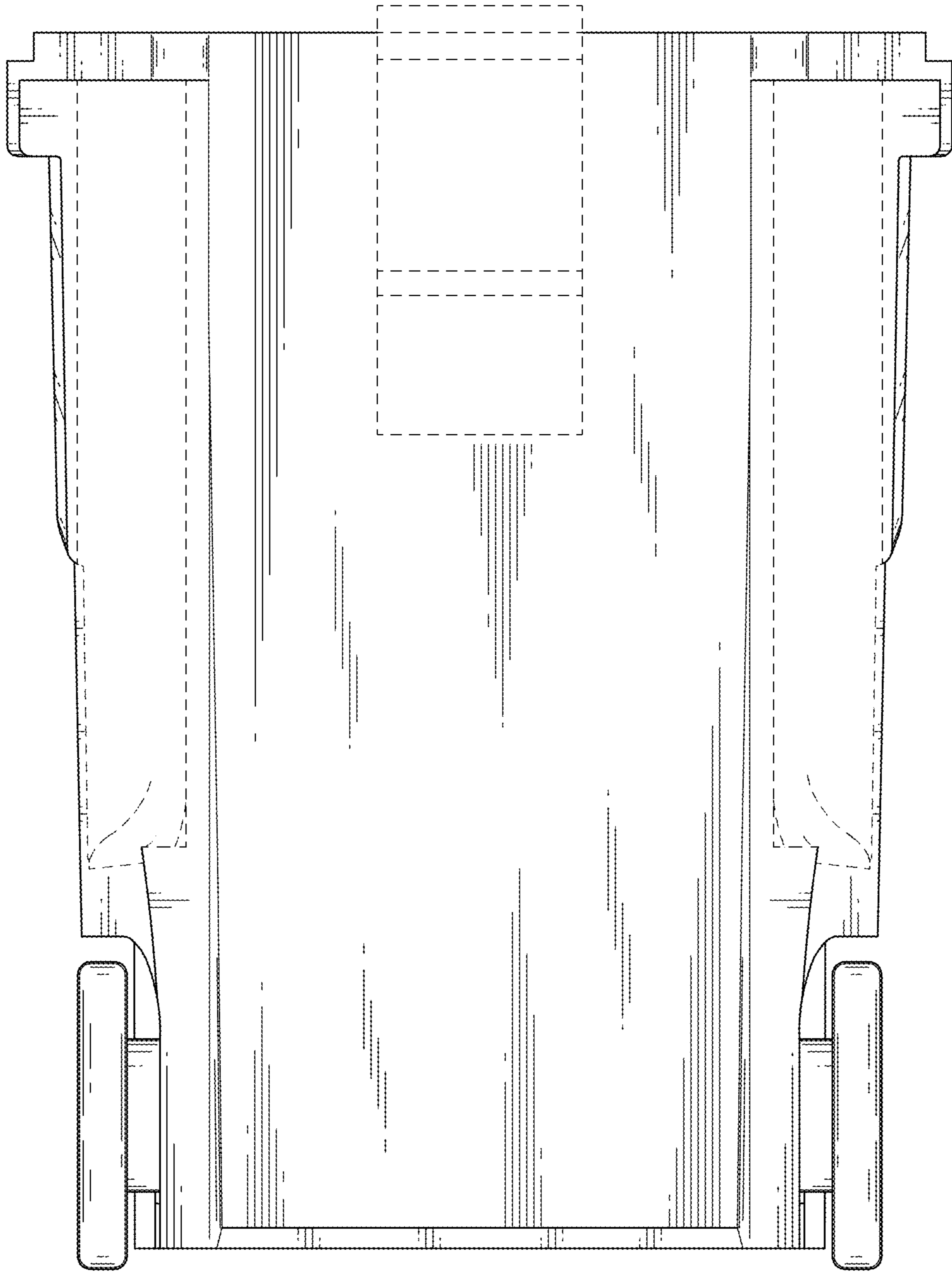


FIG. 2

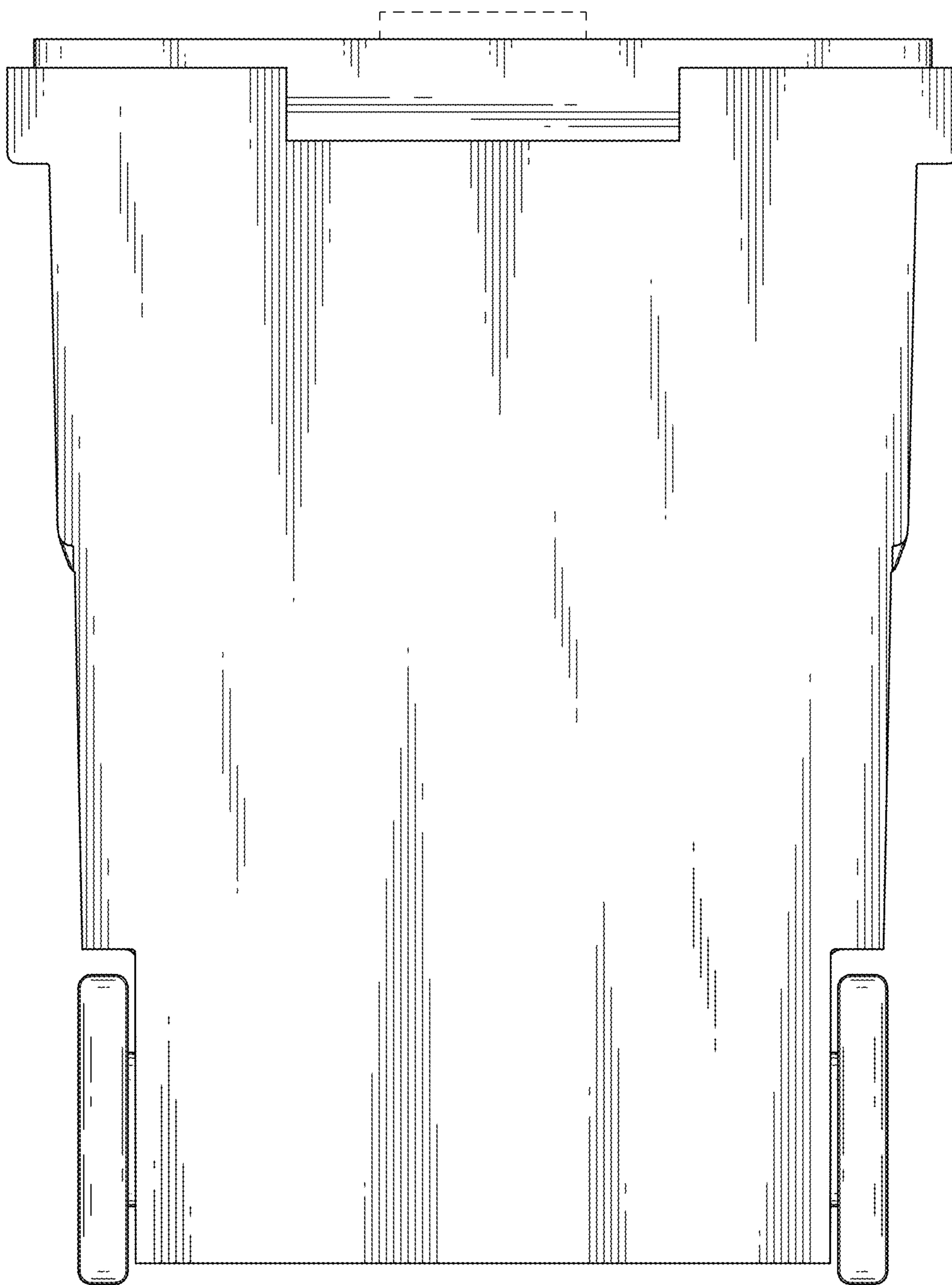


FIG. 3



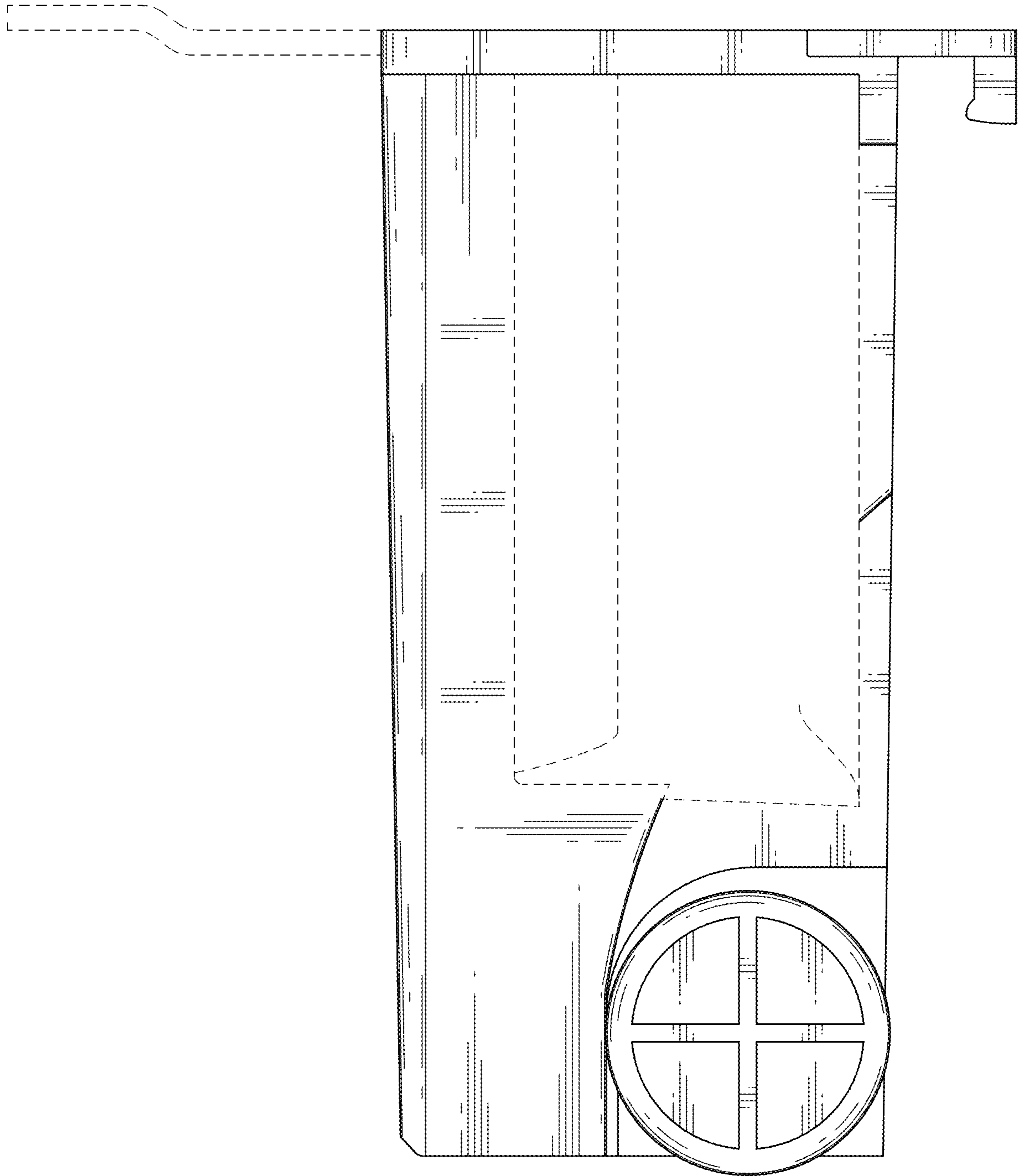


FIG. 4

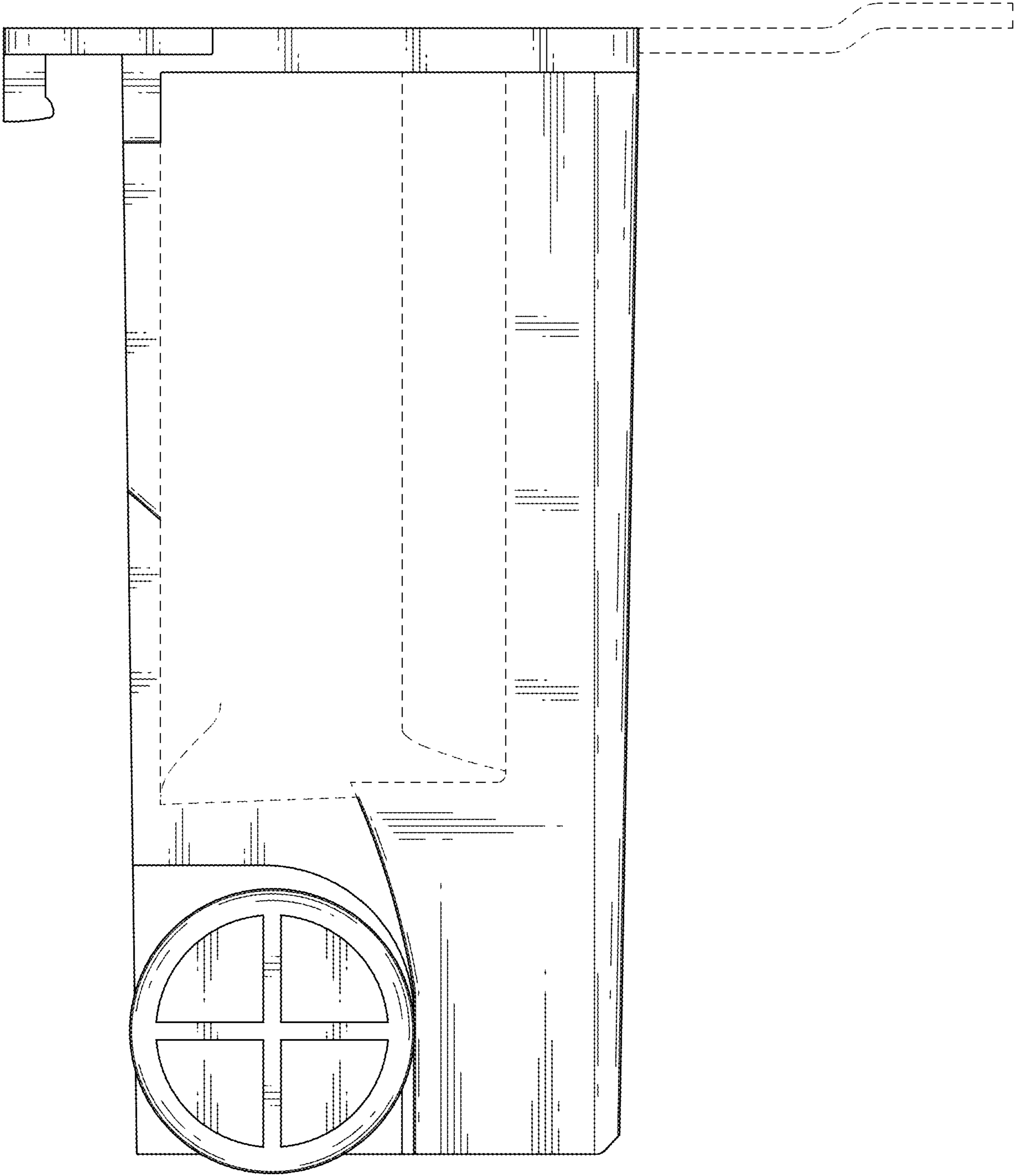


FIG. 5

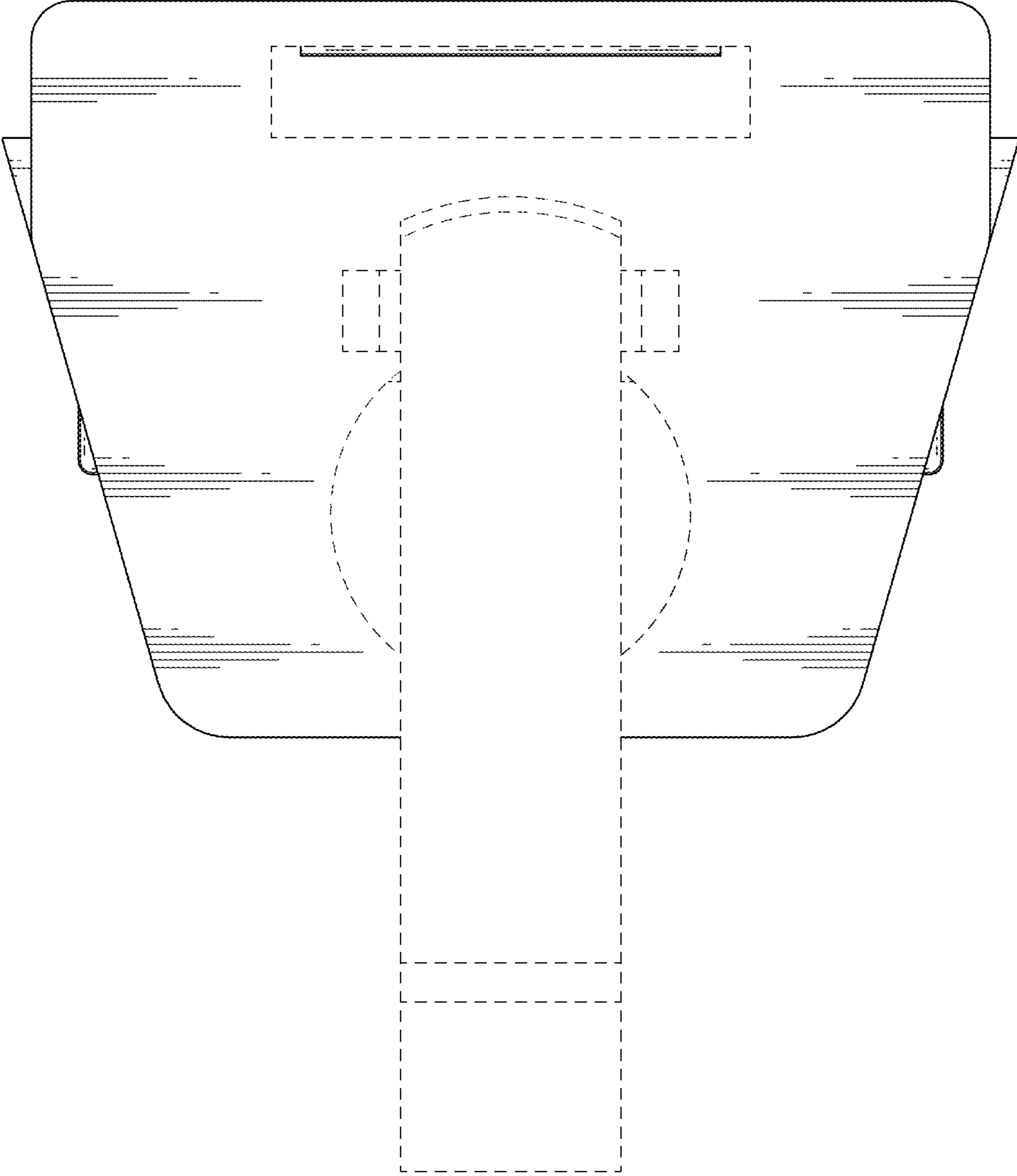


FIG. 6

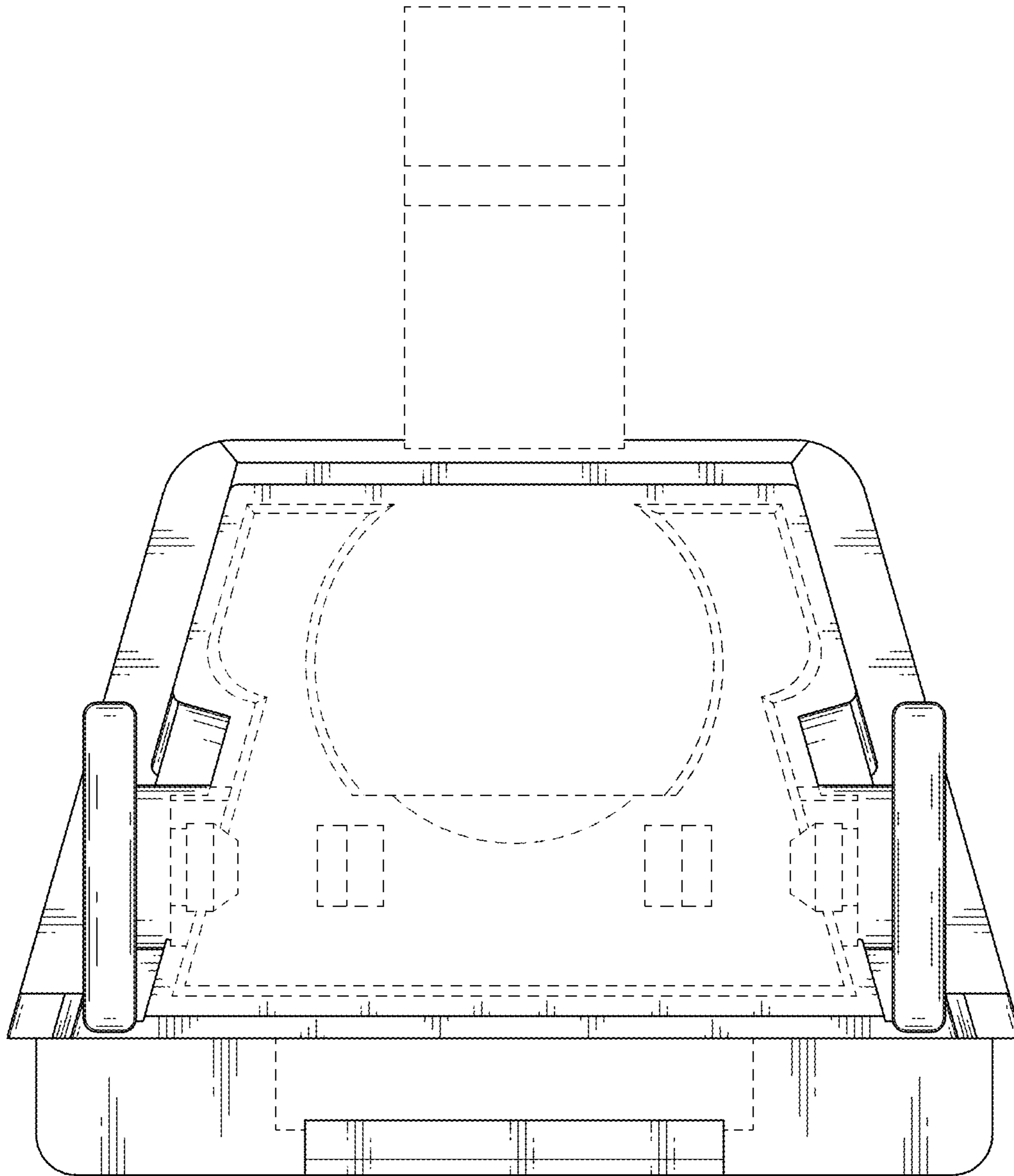


FIG. 7