



US00D924520S

(12) **United States Design Patent**
Bae et al.

(10) **Patent No.:** **US D924,520 S**

(45) **Date of Patent:** **** Jul. 6, 2021**

- (54) **STEAM IRON**
- (71) Applicant: **LG ELECTRONICS INC.**, Seoul (KR)
- (72) Inventors: **Jaeil Bae**, Seoul (KR); **Kyutae Park**, Seoul (KR); **Kyungah Lee**, Seoul (KR); **Hoil Jeon**, Seoul (KR); **Youngsoo Ha**, Seoul (KR)
- (73) Assignee: **LG ELECTRONICS INC.**, Seoul (KR)
- (**) Term: **15 Years**
- (21) Appl. No.: **29/724,708**
- (22) Filed: **Feb. 18, 2020**

(30) **Foreign Application Priority Data**

Aug. 19, 2019 (KR) 30-2019-0039546

(51) **LOC (13) Cl.** **07-05**

(52) **U.S. Cl.**
USPC **D32/70**

(58) **Field of Classification Search**
USPC D32/73, 72, 71, 70, 69, 68, 35; D8/71, D8/373, 349, 396, 30; D15/144, 144.2; D28/73; 219/231, 242, 229; 165/80.1; 126/414
CPC D06F 75/34; D06F 75/08; D06F 75/38; D06F 75/00; F22B 27/14; B08B 3/006
See application file for complete search history.

(56) **References Cited**

U.S. PATENT DOCUMENTS

- D531,774 S * 11/2006 Grossi D32/70
- D646,029 S * 9/2011 Choi D32/17

- D646,445 S * 10/2011 Choi D32/17
- D716,007 S * 10/2014 Mangano D32/17
- D722,731 S * 2/2015 Aviolat D32/17
- D733,381 S * 6/2015 Shalvi D32/70
- D789,010 S * 6/2017 Koehler D32/70
- D808,600 S * 1/2018 Malatray D32/17
- D831,905 S * 10/2018 Benacquisto D30/158
- D862,021 S * 10/2019 Hou D32/70

* cited by examiner

Primary Examiner — Austin Murphy

(74) *Attorney, Agent, or Firm* — Birch, Stewart, Kolasch & Birch, LLP

(57) **CLAIM**

We claim the ornamental design for a steam iron, as shown and described.

DESCRIPTION

FIG. 1 is a perspective view of a steam iron showing the new design;
FIG. 2 is a front elevation view thereof;
FIG. 3 is a rear elevation view thereof;
FIG. 4 is a left-side elevation view thereof;
FIG. 5 is a right-side elevation view thereof;
FIG. 6 is a top plan view thereof;
FIG. 7 is a bottom plan view thereof; and,
FIG. 8 is a perspective view showing a state of use thereof. Broken lines illustrate environmental condition only and form no part of the claimed design.

1 Claim, 8 Drawing Sheets

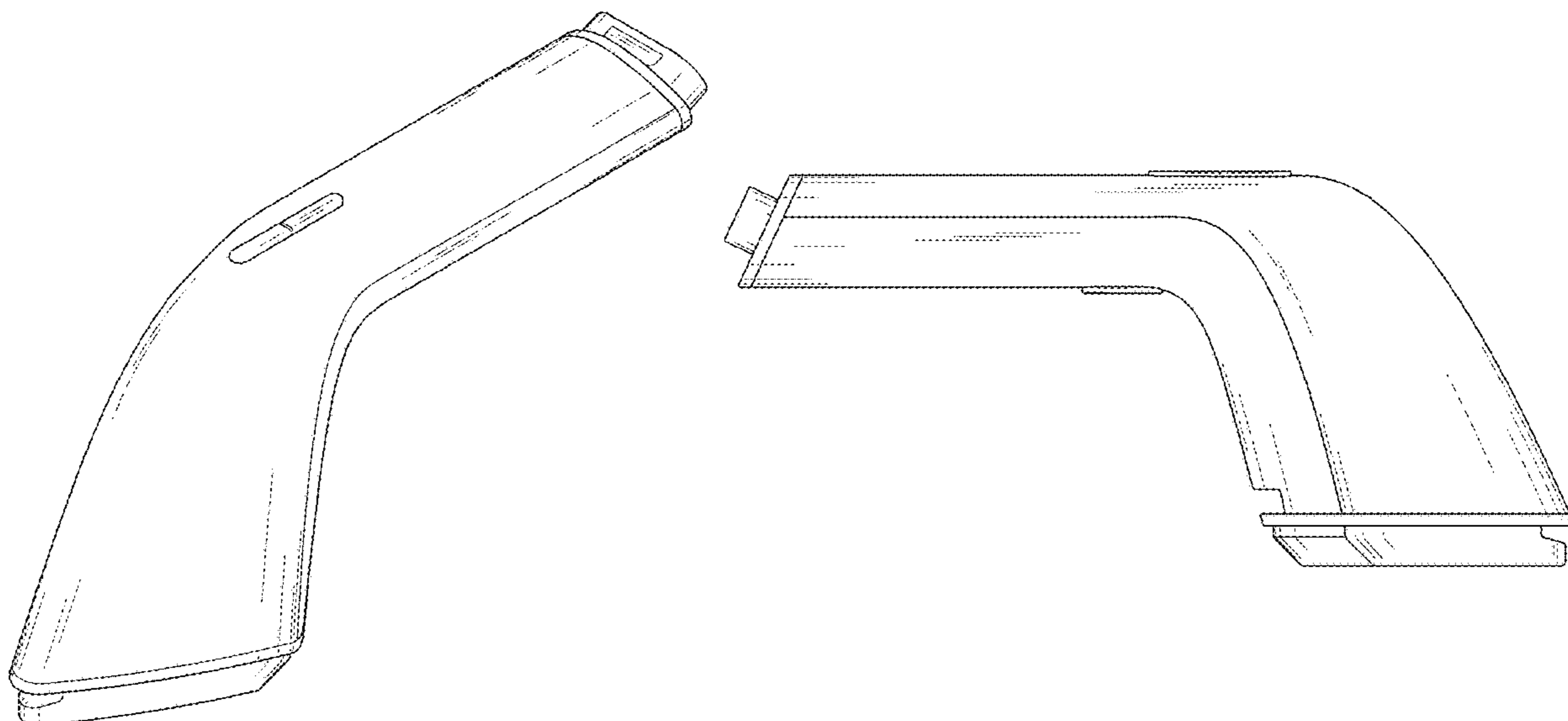


FIG. 1

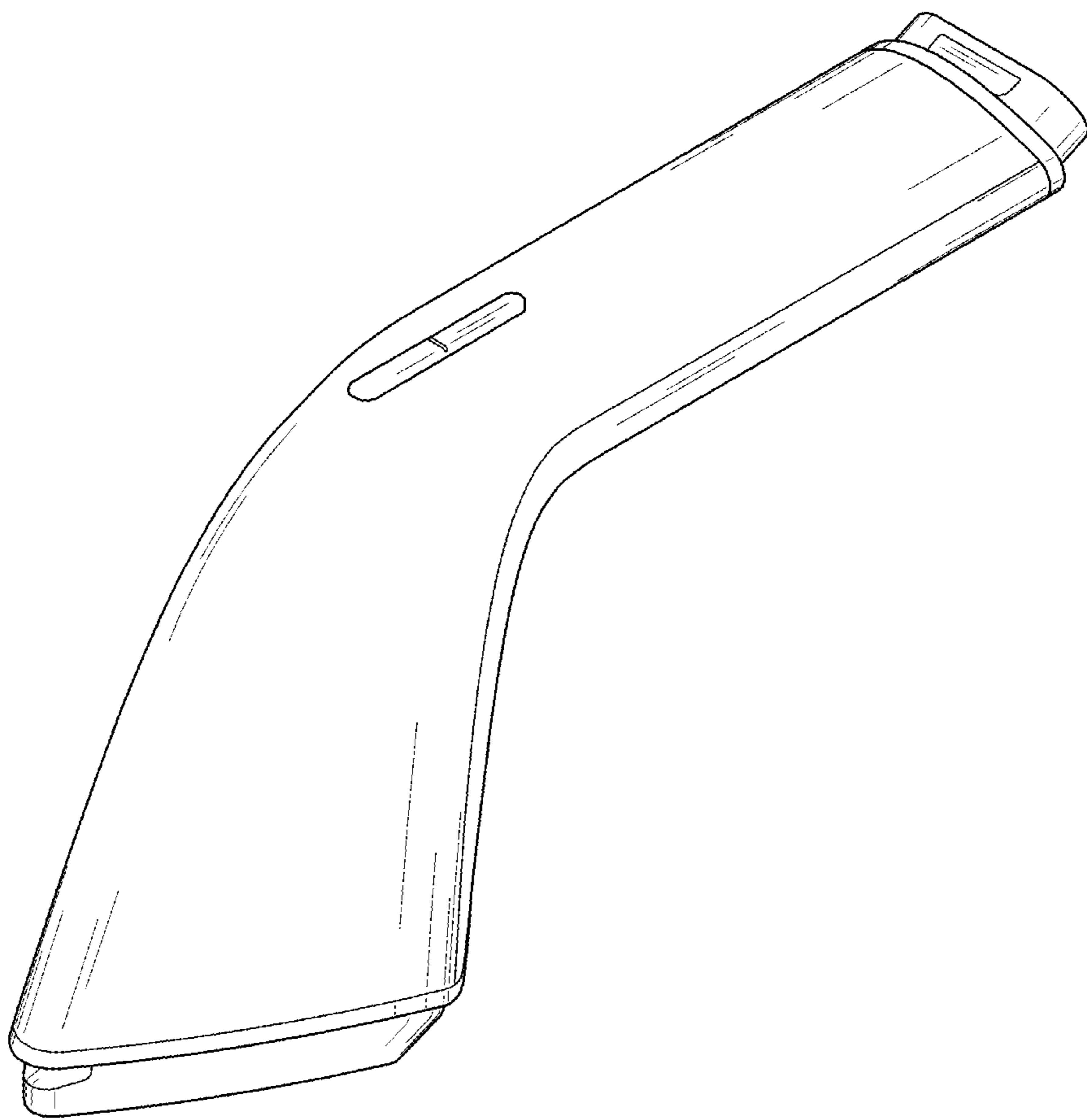


FIG. 2

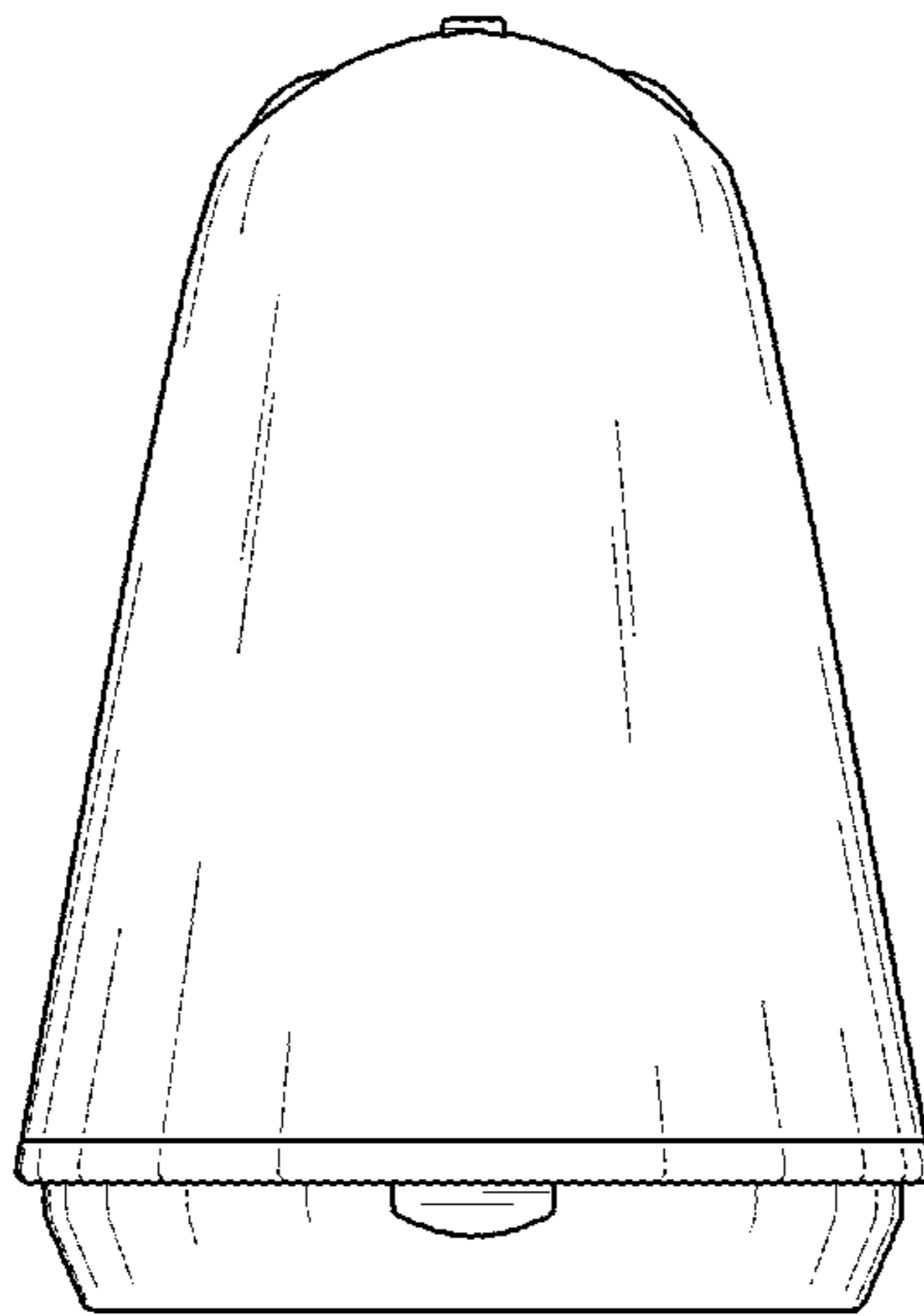


FIG. 3

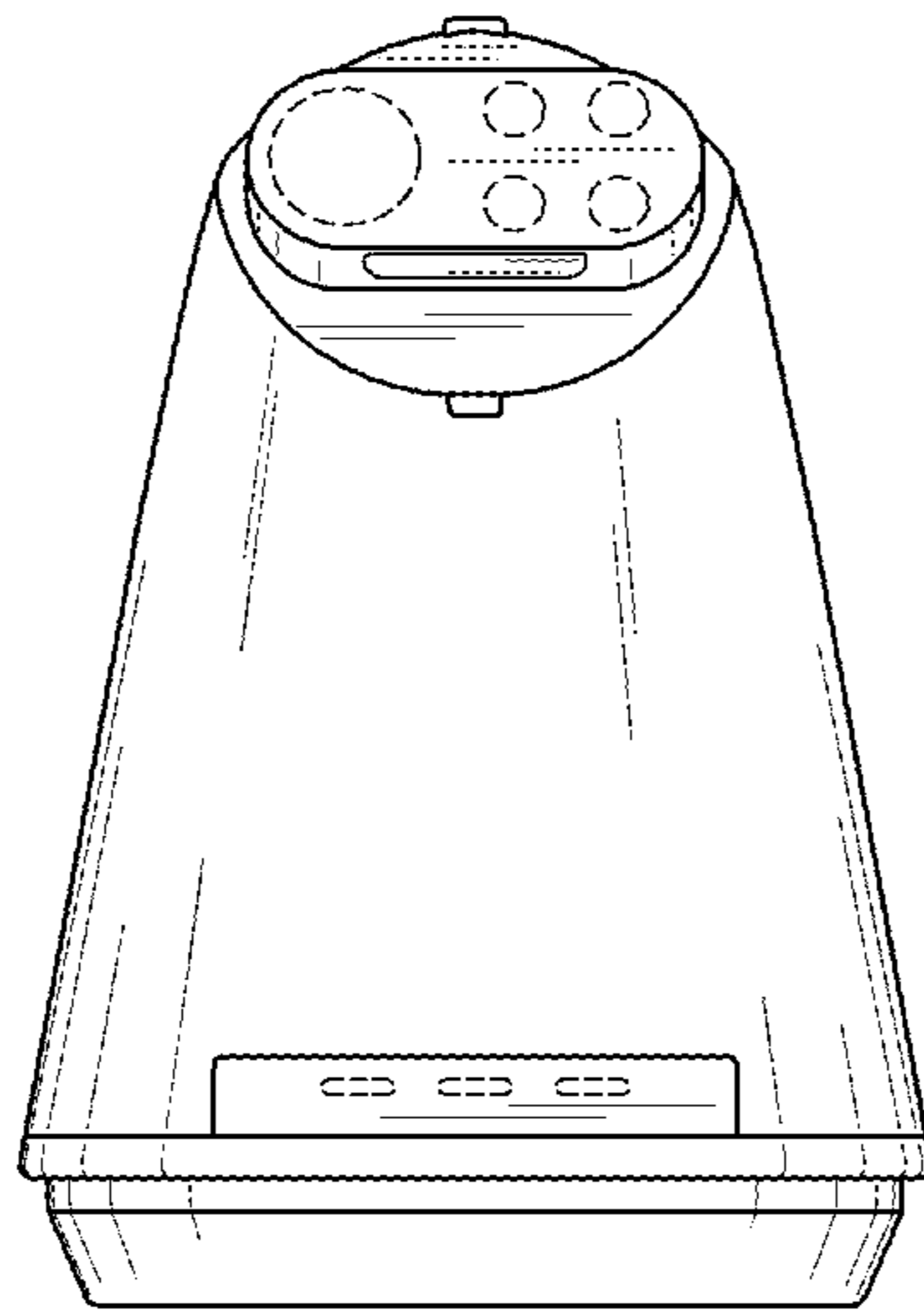


FIG. 4

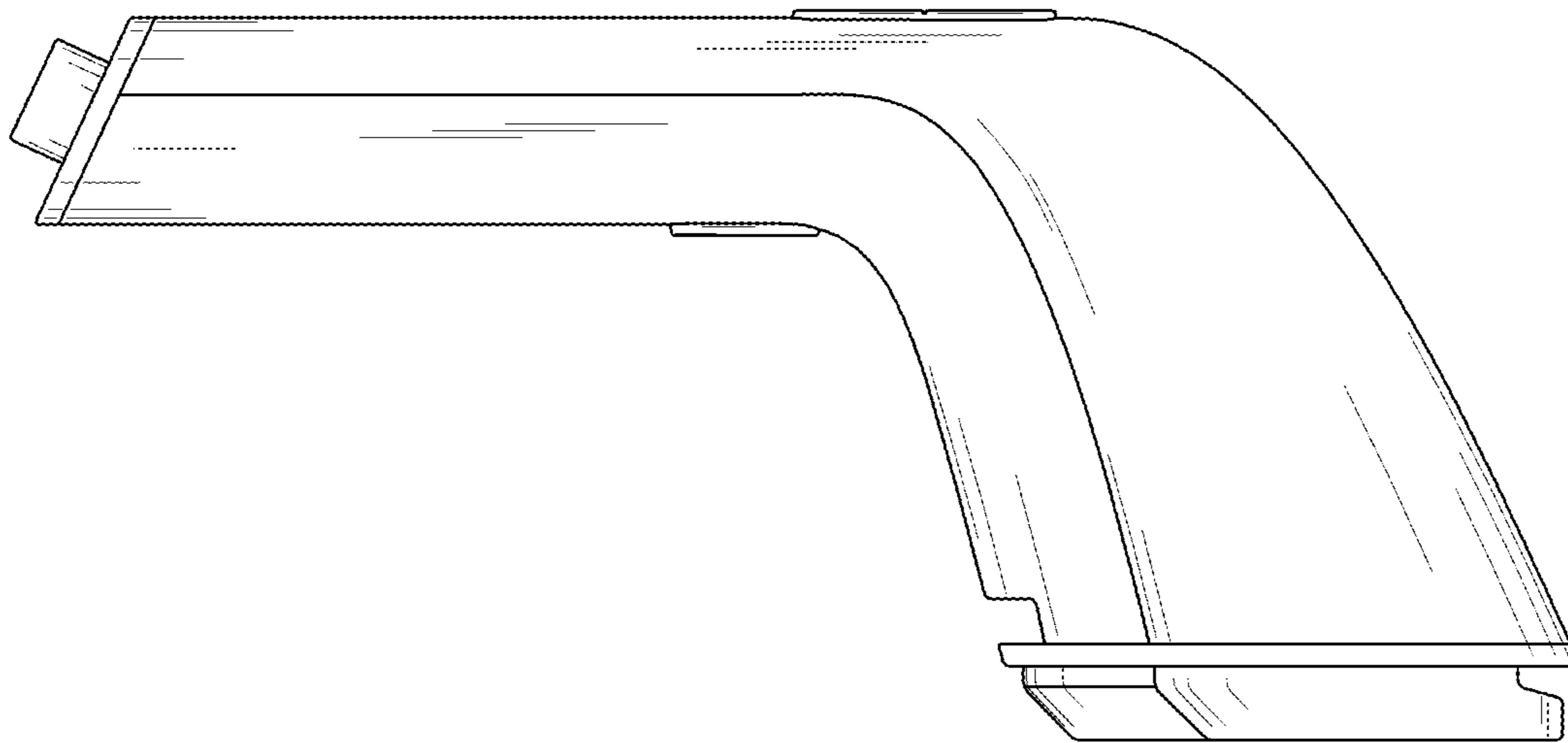


FIG. 5

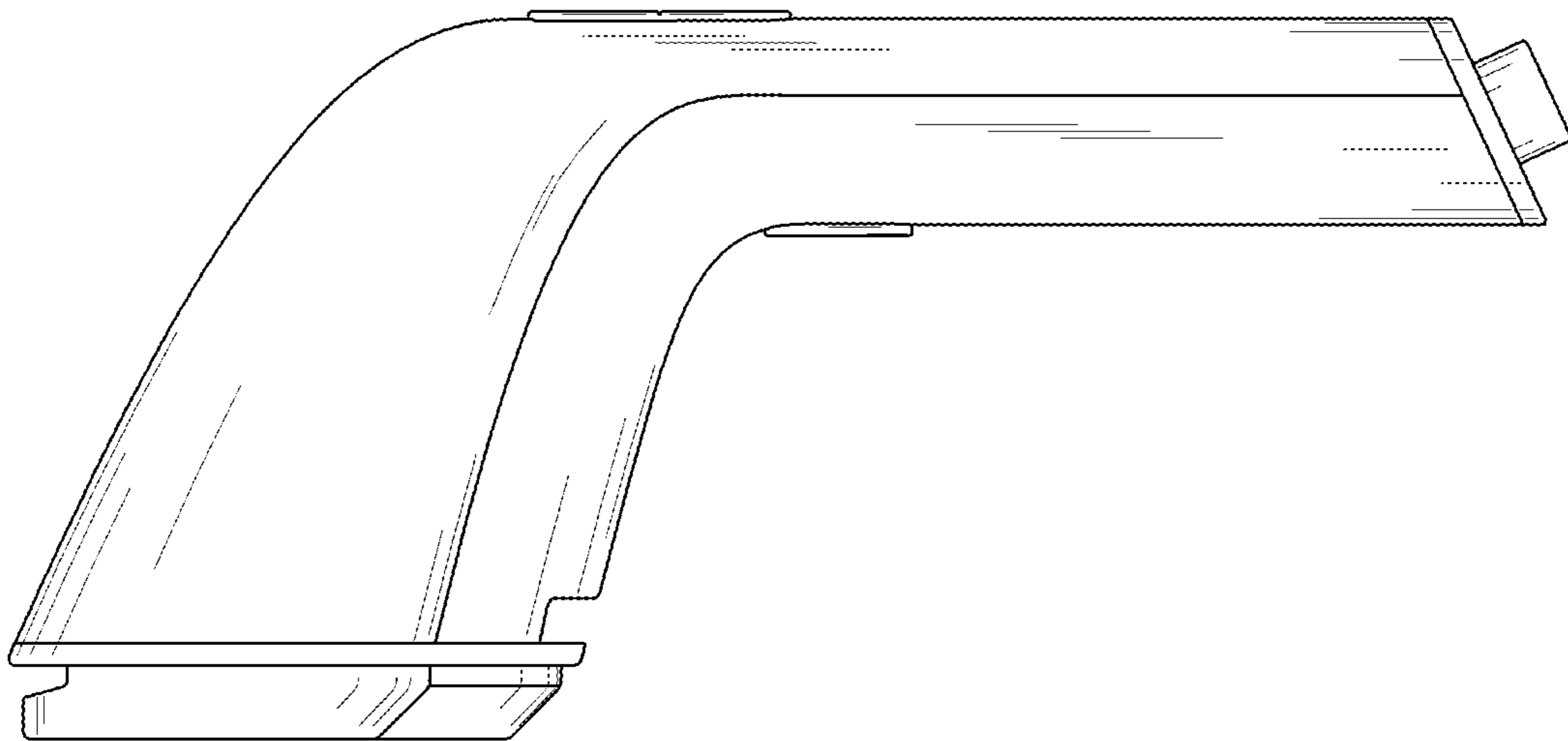


FIG. 6

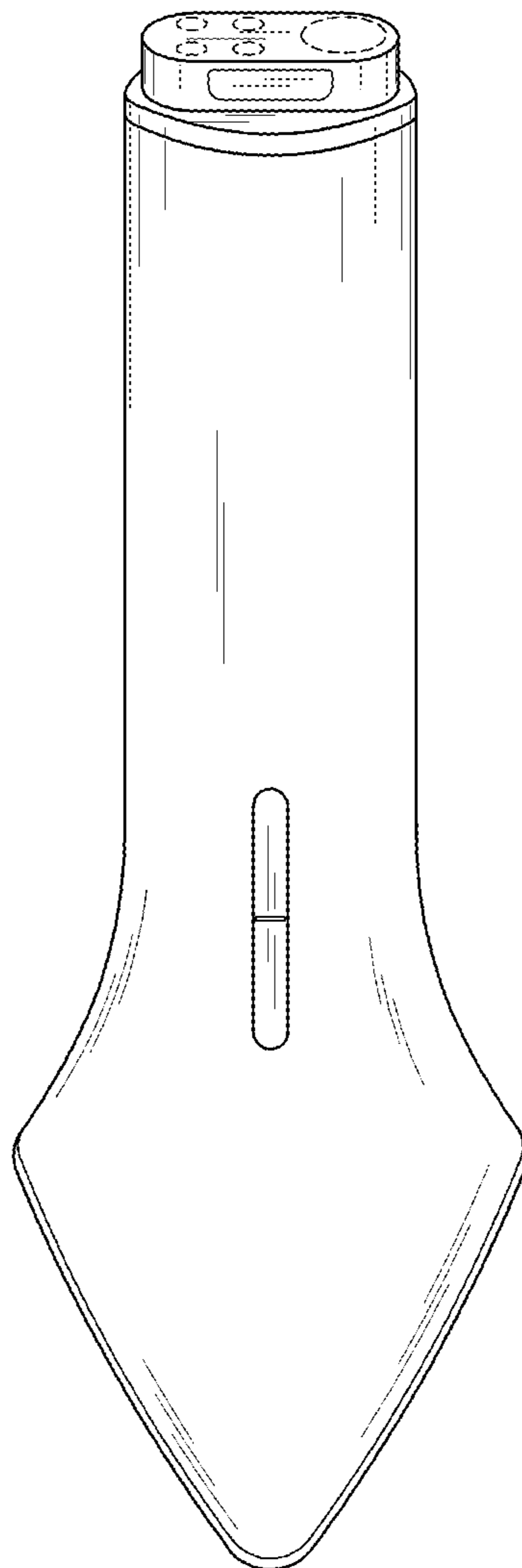


FIG. 7

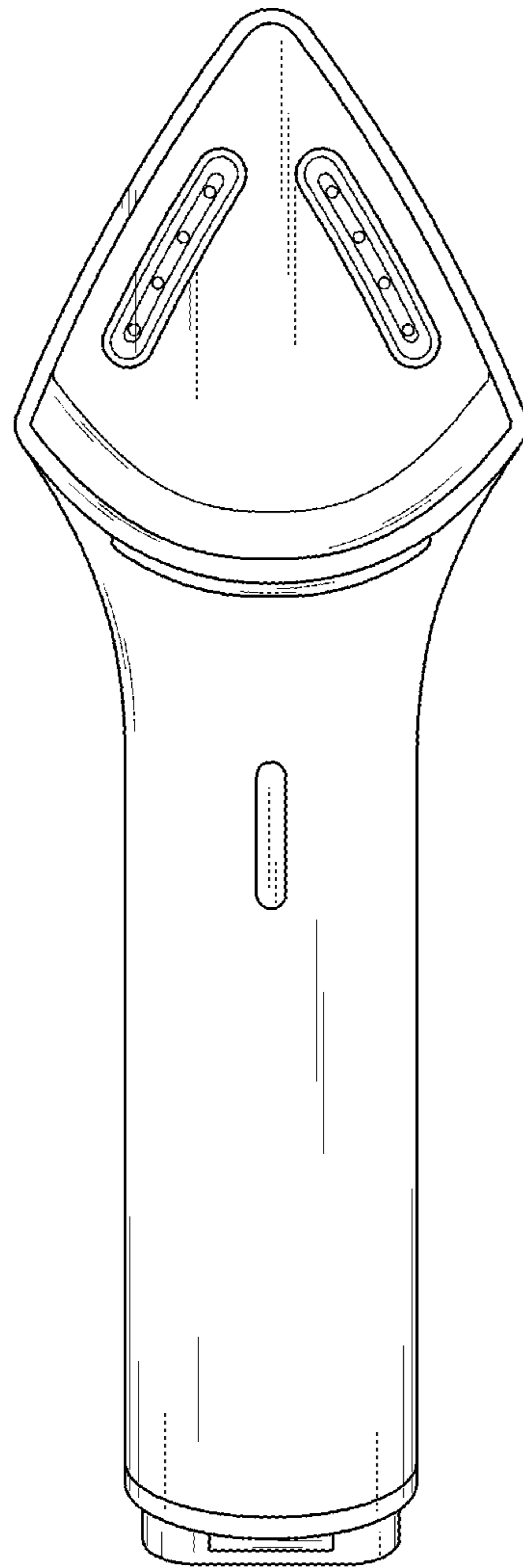


FIG. 8

