



US00D924517S

(12) **United States Design Patent**
Smoots

(10) **Patent No.:** **US D924,517 S**
(45) **Date of Patent:** **** Jul. 6, 2021**

(54) **DRYER**

(71) Applicant: **Karen Smoots**, Portage, MI (US)

(72) Inventor: **Karen Smoots**, Portage, MI (US)

(**) Term: **15 Years**

(21) Appl. No.: **29/660,284**

(22) Filed: **Aug. 20, 2018**

(51) **LOC (13) Cl.** **07-05**

(52) **U.S. Cl.**
USPC **D32/58**

(58) **Field of Classification Search**
USPC D32/8, 58-60
See application file for complete search history.

(56) **References Cited**

U.S. PATENT DOCUMENTS

2,465,362 A 3/1949 Elliott
3,413,021 A 11/1968 Potts

(Continued)

OTHER PUBLICATIONS

<https://www.walmart.com/ip/Green-Glove-Dryer-for-Hats-Gloves-Shoes-More/963287669> (Accessed on Apr. 2021).*

(Continued)

Primary Examiner — Michelle E. Wilson

(74) *Attorney, Agent, or Firm* — Jacob M. Ward; Ward Law Office LLC

(57) **CLAIM**

The ornamental design for a dryer, as shown and described.

DESCRIPTION

FIG. 1 is a top perspective view of a dryer according to the present disclosure, shown in an assembled configuration;

FIG. 2 is a bottom perspective view of the dryer shown in FIG. 1;

FIG. 3 is a top plan view of the dryer shown in FIG. 1;

FIG. 4 is a bottom plan view of the dryer shown in FIG. 1;

FIG. 5 is a front elevational view of the dryer in FIG. 1;

FIG. 6 is a right side elevational view of the dryer shown in FIG. 1;

FIG. 7 is an enlarged top perspective view of a base of the dryer shown in FIG. 1;

FIG. 8 is an enlarged bottom perspective view of the base of the dryer shown in FIG. 1;

FIG. 9 is an enlarged top plan view of the base of the dryer shown in FIG. 1;

FIG. 10 is an enlarged bottom plan view of the base of the dryer shown in FIG. 1;

FIG. 11 is an enlarged front elevational view of the base of the dryer shown in FIG. 1;

FIG. 12 is an enlarged right side elevational view of the base of the dryer shown in FIG. 1;

FIG. 13 is an enlarged left side elevational view of the base of the dryer shown in FIG. 1;

FIG. 14 is an enlarged top perspective view of a nozzle of the dryer shown in FIG. 1;

FIG. 15 is an enlarged bottom perspective view of the nozzle of the dryer shown in FIG. 1;

FIG. 16 is an enlarged top plan view of the nozzle of the dryer shown in FIG. 1;

FIG. 17 is an enlarged bottom plan view of the nozzle of the dryer shown in FIG. 1;

FIG. 18 is an enlarged right side elevational view of the nozzle of the dryer shown in FIG. 1; and,

FIG. 19 is an enlarged front elevational view of the nozzle of the dryer shown in FIG. 1.

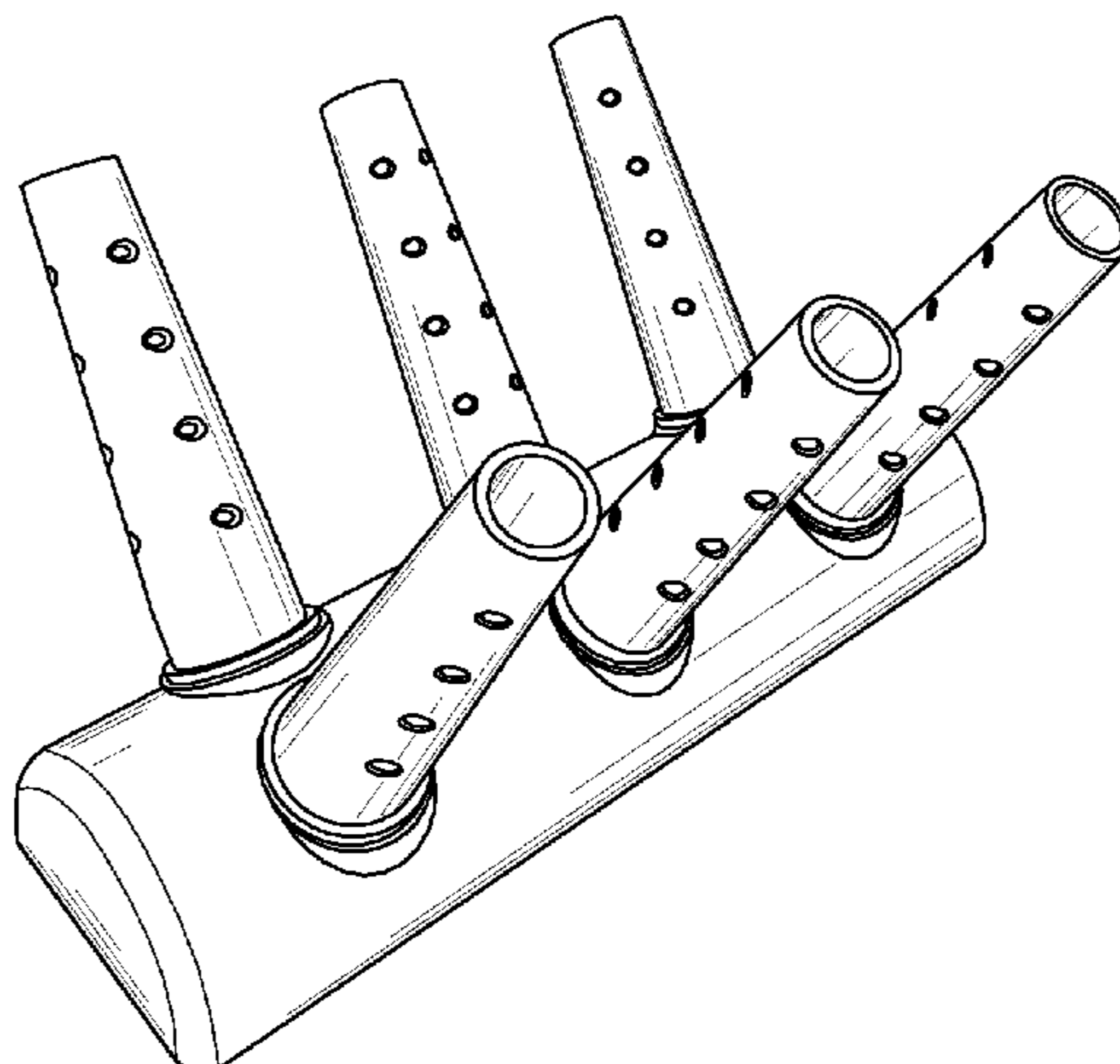
A rear elevational view of the dryer is not shown because it is identical to the front elevational view shown in FIG. 5.

A left side elevational view of the dryer is not shown because it is identical to the right side elevational view shown in FIG. 6.

A rear elevational view of the base of the dryer is not shown because it is identical to the front elevational view shown in FIG. 11.

A left side elevational view of the nozzle of the dryer is not shown because it is identical to the right side elevational view shown in FIG. 18.

(Continued)



A rear elevational view of the nozzle of the dryer is not shown because it is identical to the front elevational view shown in FIG. 19.

The ornamental design which is claimed is shown in solid lines in the drawings.

1 Claim, 5 Drawing Sheets

(56)

References Cited

U.S. PATENT DOCUMENTS

D213,129 S * 1/1969 Schenck D32/8
 4,085,519 A * 4/1978 Masika A47L 23/20
 223/66
 4,136,464 A * 1/1979 Hay A47L 23/20
 239/274
 4,265,030 A * 5/1981 Smallegan A47L 23/20
 34/104
 4,398,633 A 8/1983 Weinstein
 D272,644 S * 2/1984 Warren D32/1
 4,435,031 A 3/1984 Black et al.

4,596,078 A * 6/1986 McCartney A47L 23/205
 34/103
 D349,788 S * 8/1994 Laferriere D32/1
 5,406,717 A * 4/1995 Dofka D06F 59/04
 211/37
 5,946,814 A * 9/1999 Farrant A47L 23/205
 34/103
 6,327,792 B1 12/2001 Hebert
 D565,260 S * 3/2008 Lam D32/8
 D581,109 S * 11/2008 Totz D32/8
 D604,916 S * 11/2009 Mansour D32/8
 D648,091 S * 11/2011 Southwick D32/58
 D664,321 S * 7/2012 Williams D32/58
 D665,549 S 8/2012 Kropf et al.
 D682,499 S * 5/2013 Williams D32/58
 D684,330 S * 6/2013 Ward D32/58
 9,856,597 B2 1/2018 Smoots
 10,870,944 B2 * 12/2020 Smoots F26B 21/008
 2005/0047850 A1 3/2005 Wright et al.

OTHER PUBLICATIONS

<https://athriftymom.com/dry-your-boots-hats-and-gloves-on-the-heater-vent/> (Accessed on Apr. 2021).*

* cited by examiner

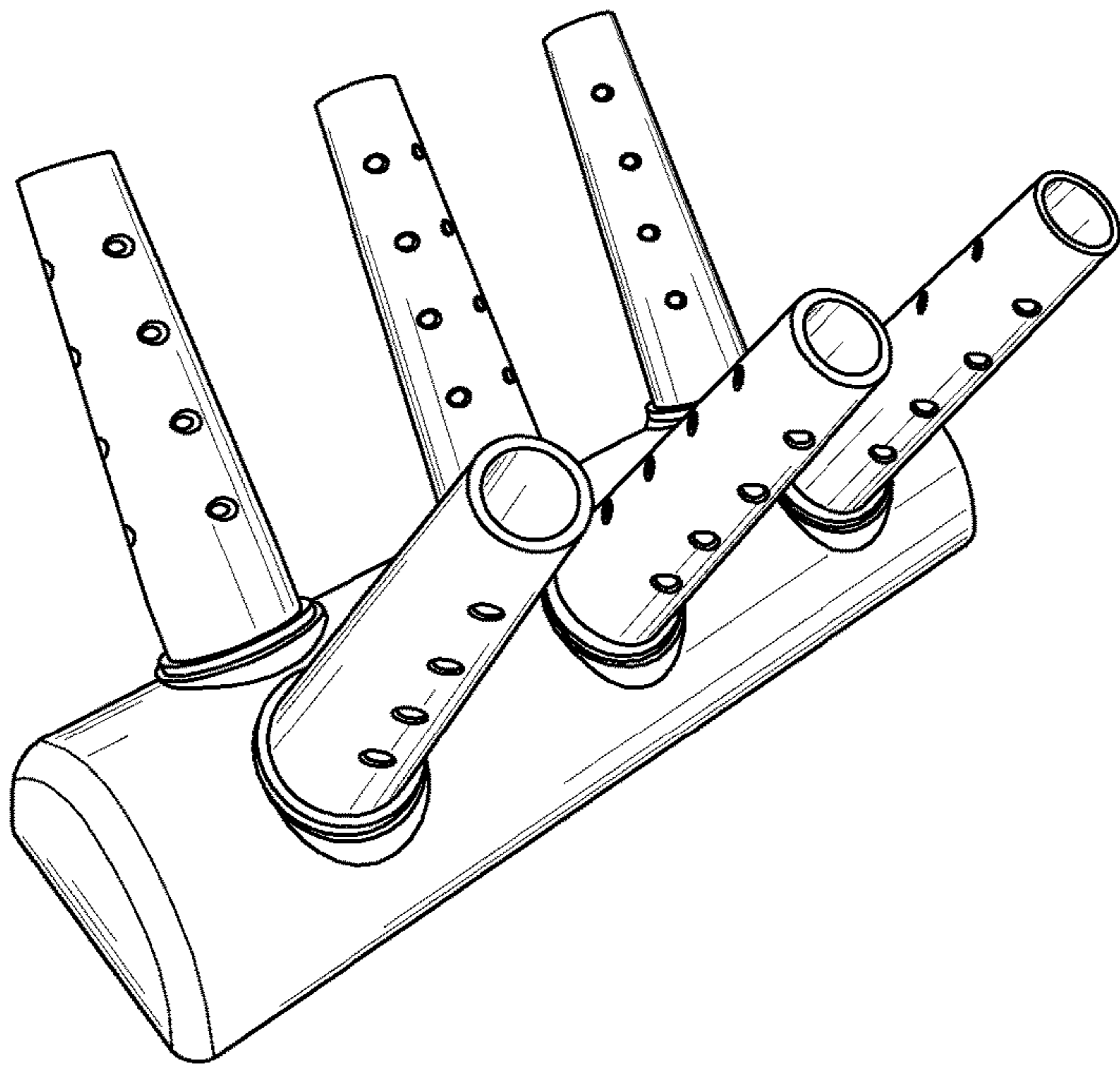


FIG. 1

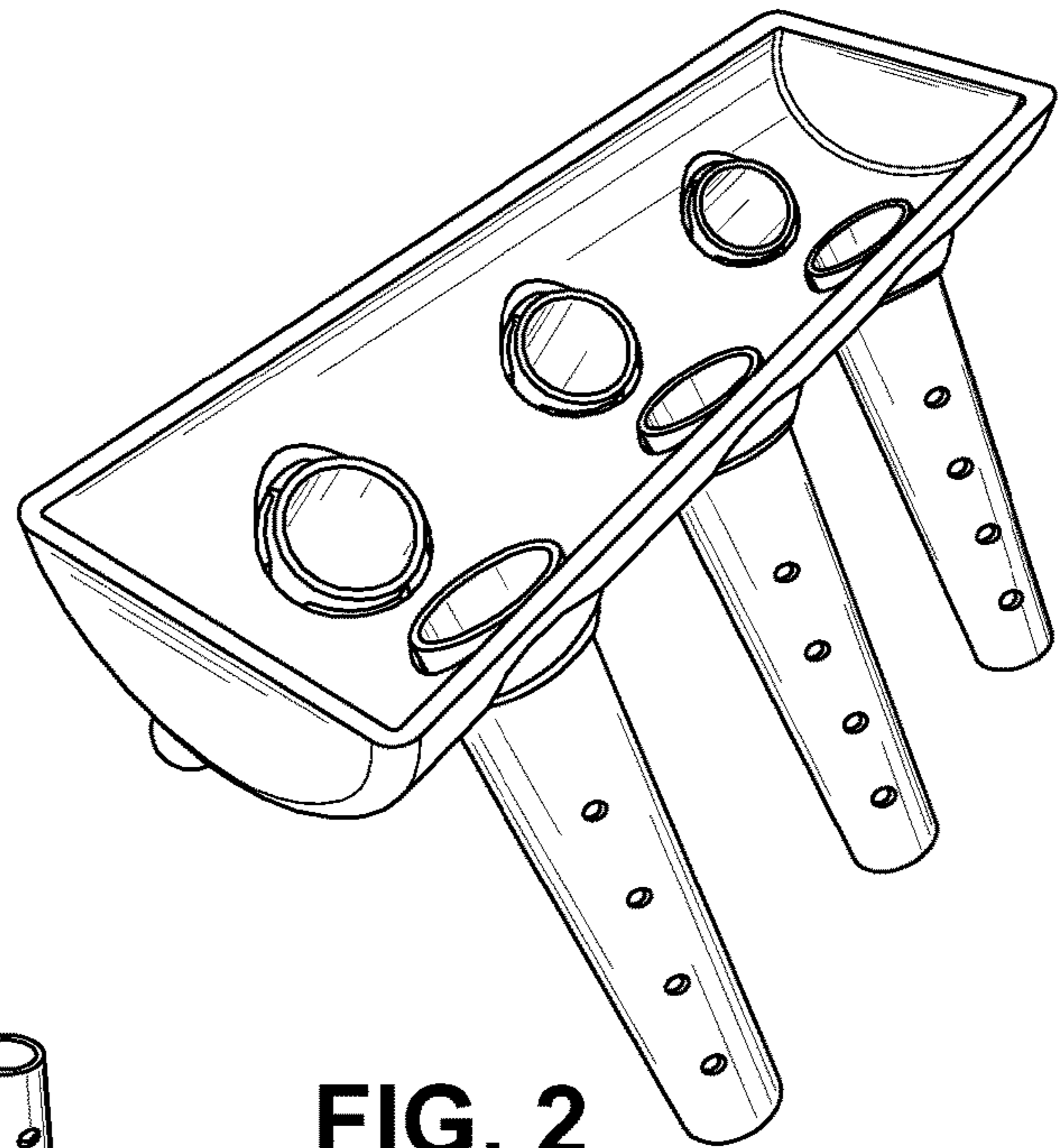


FIG. 2

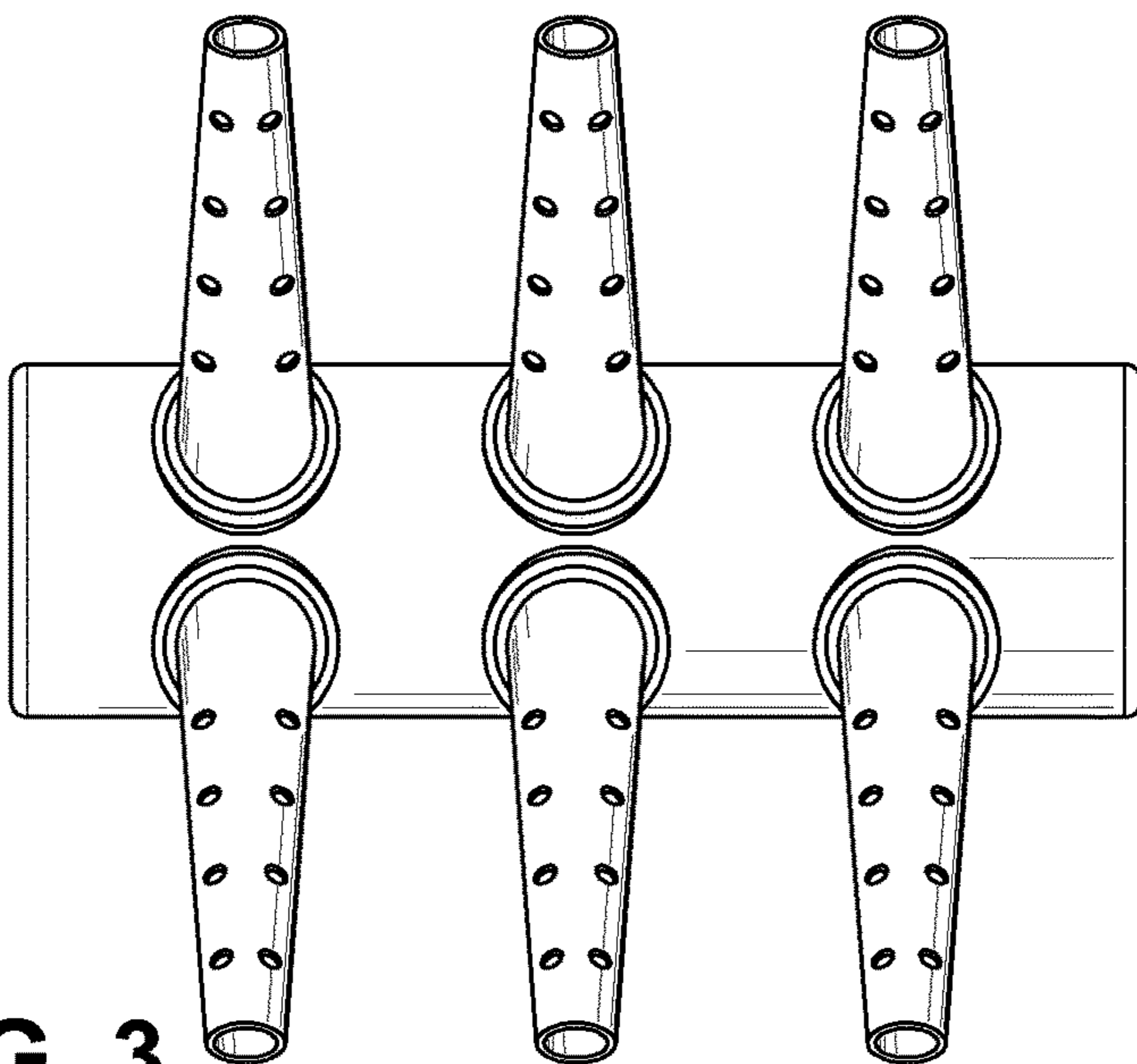


FIG. 3

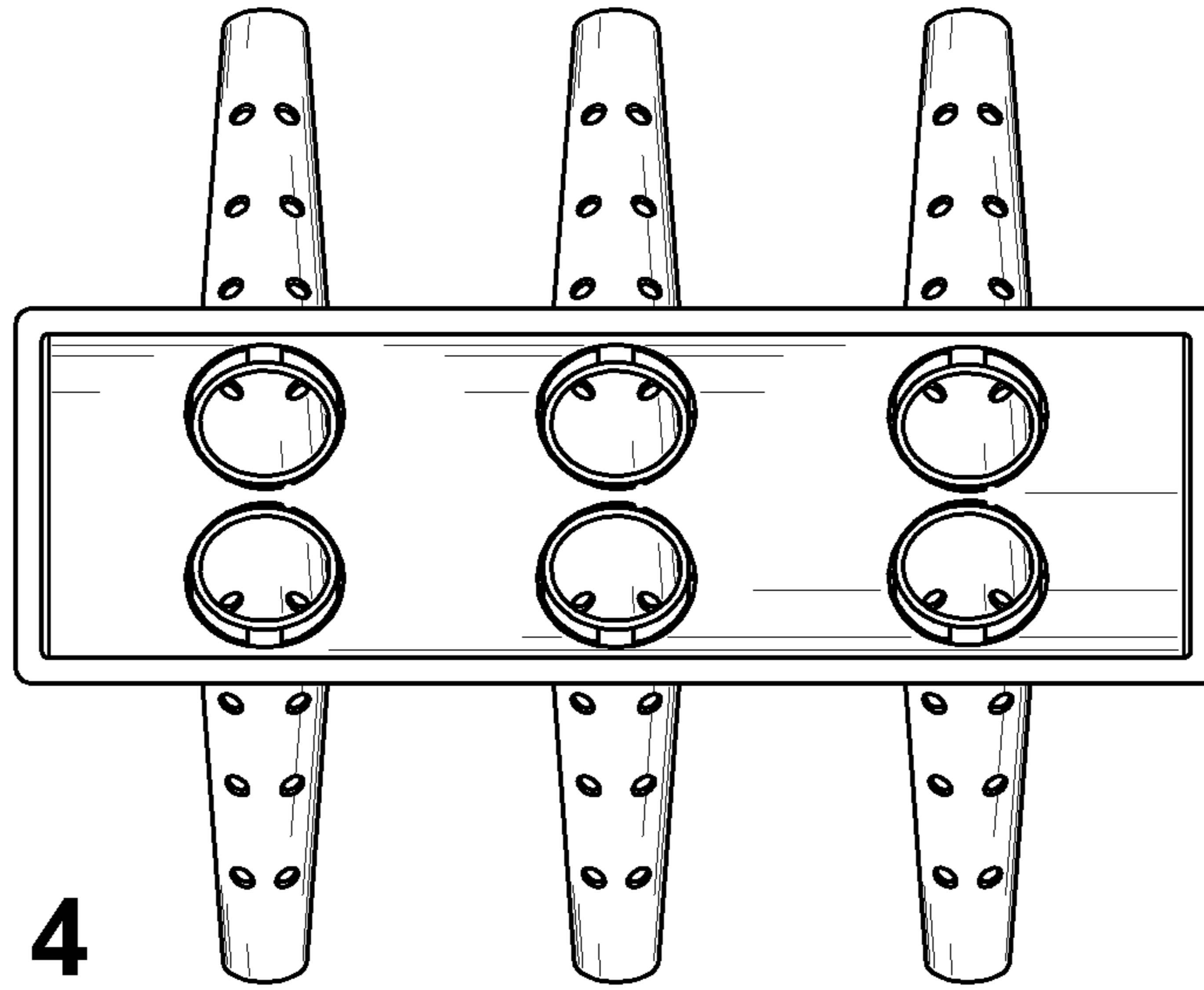


FIG. 4

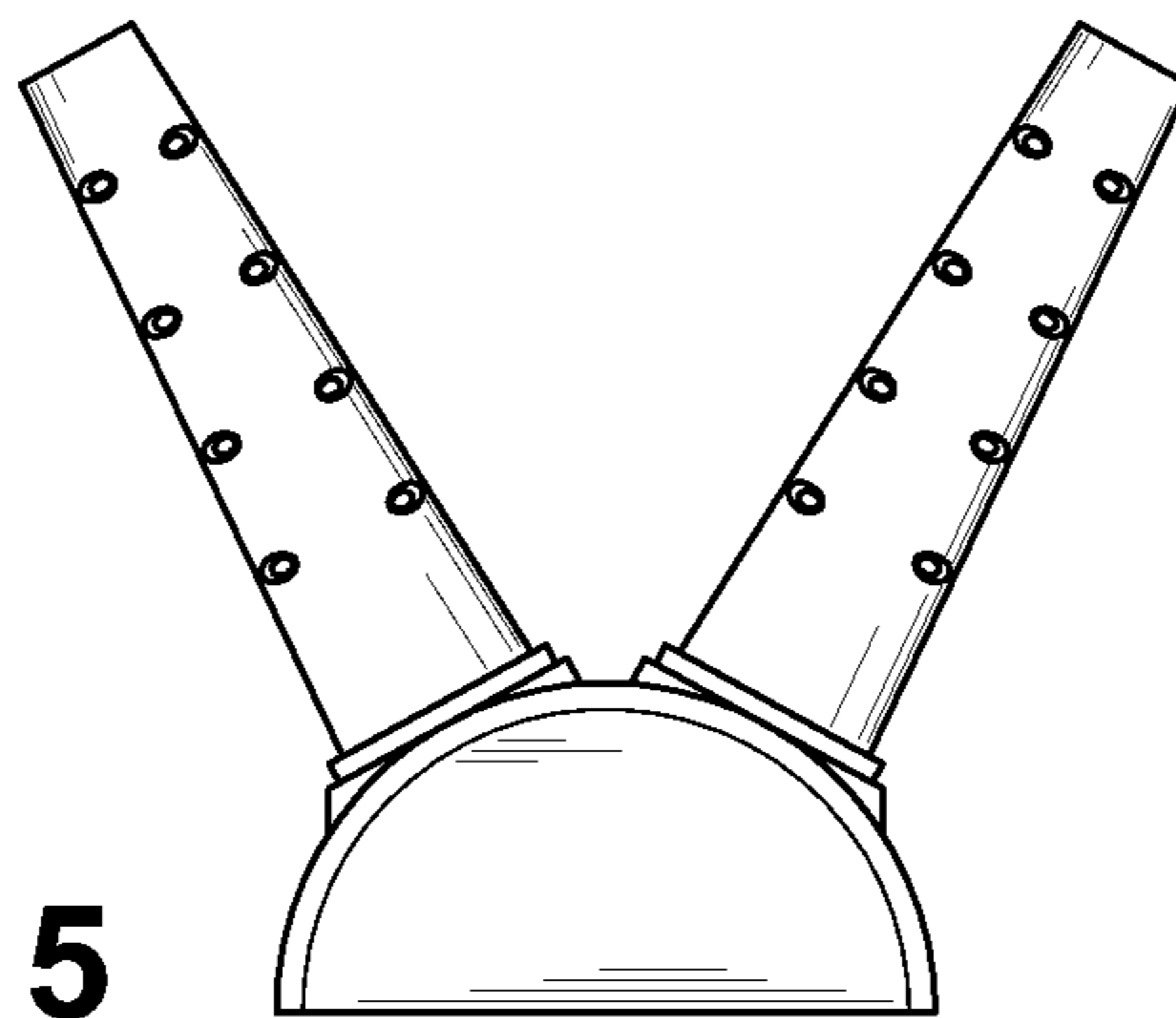


FIG. 5

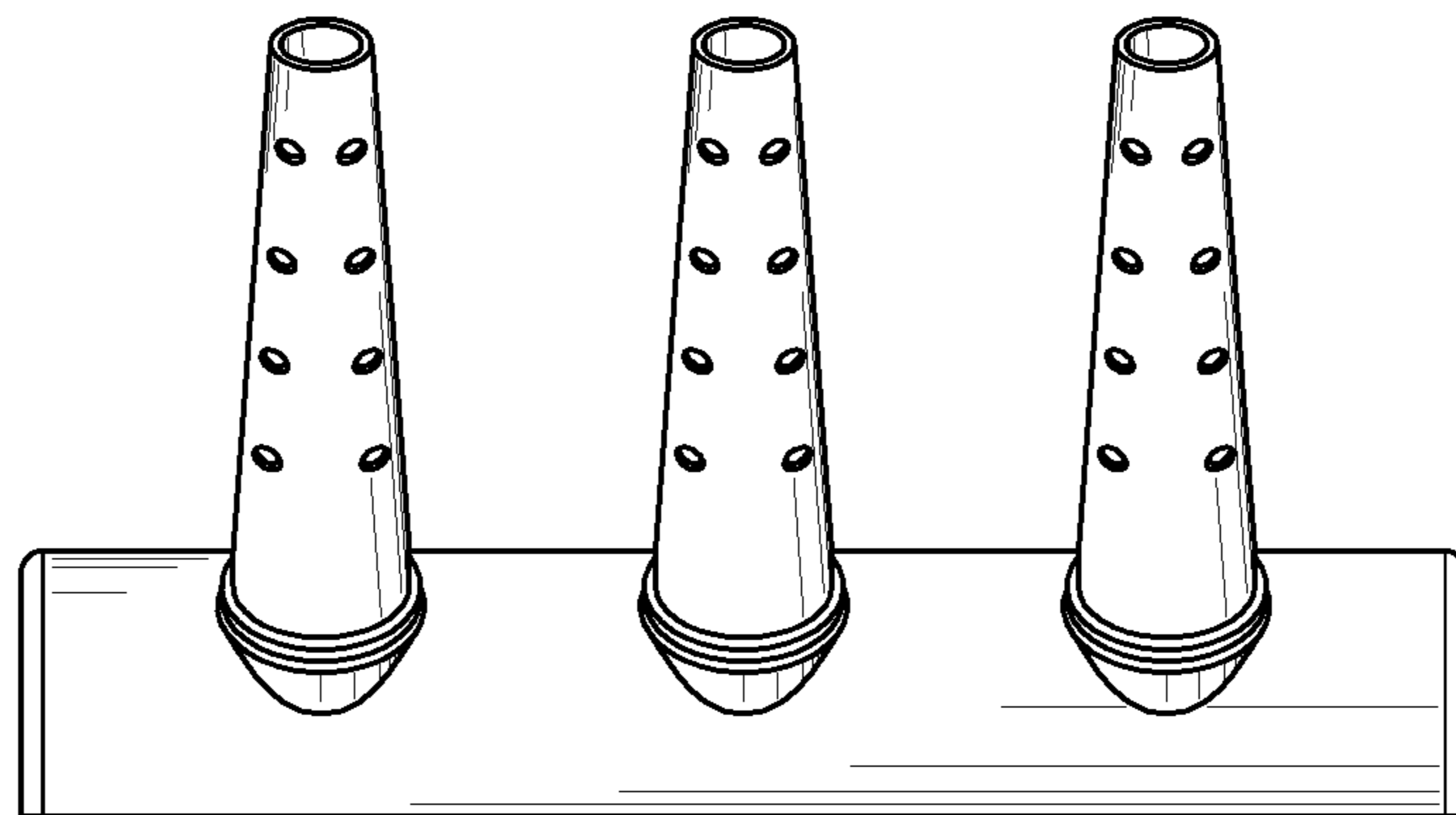


FIG. 6

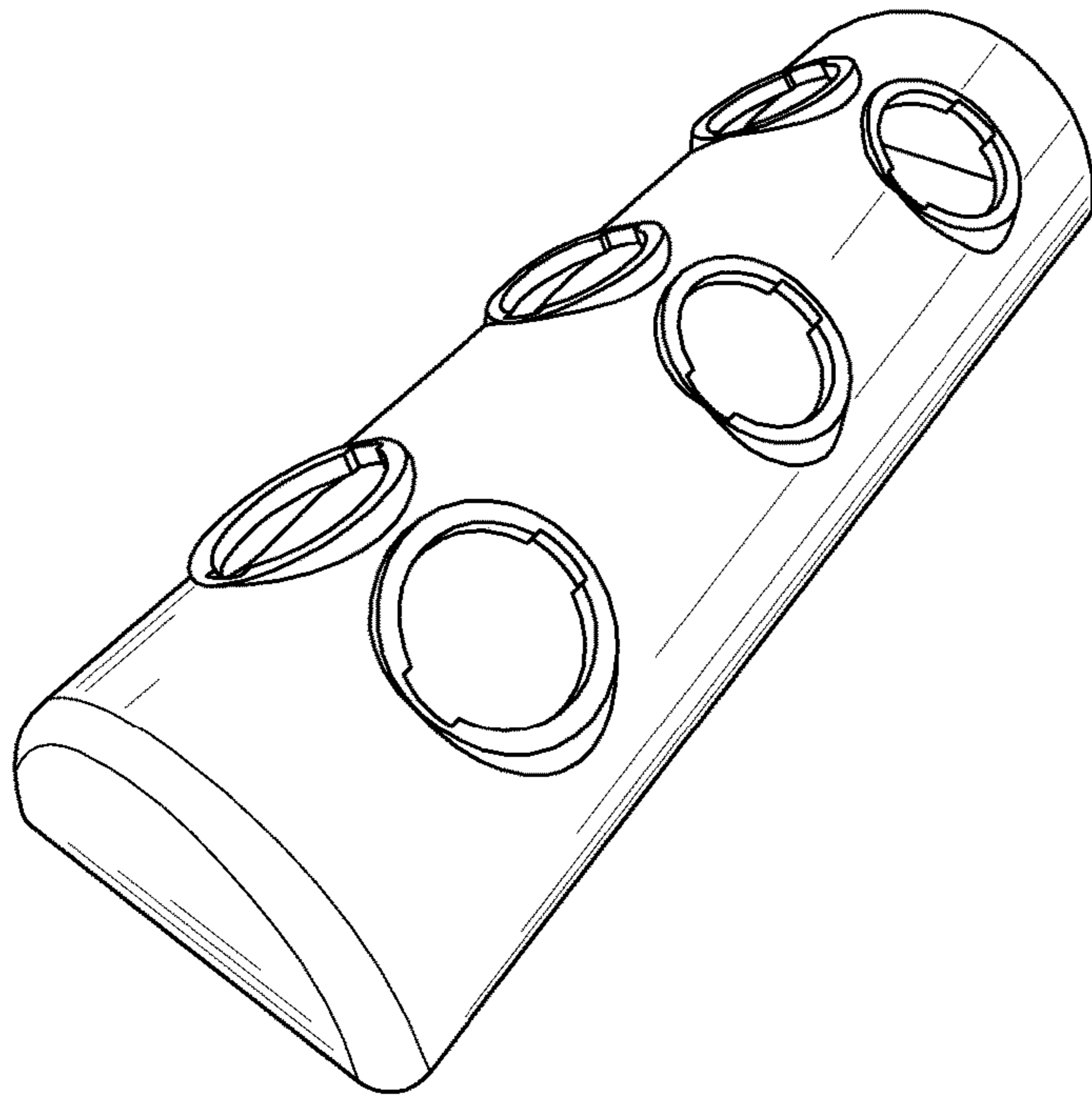


FIG. 7

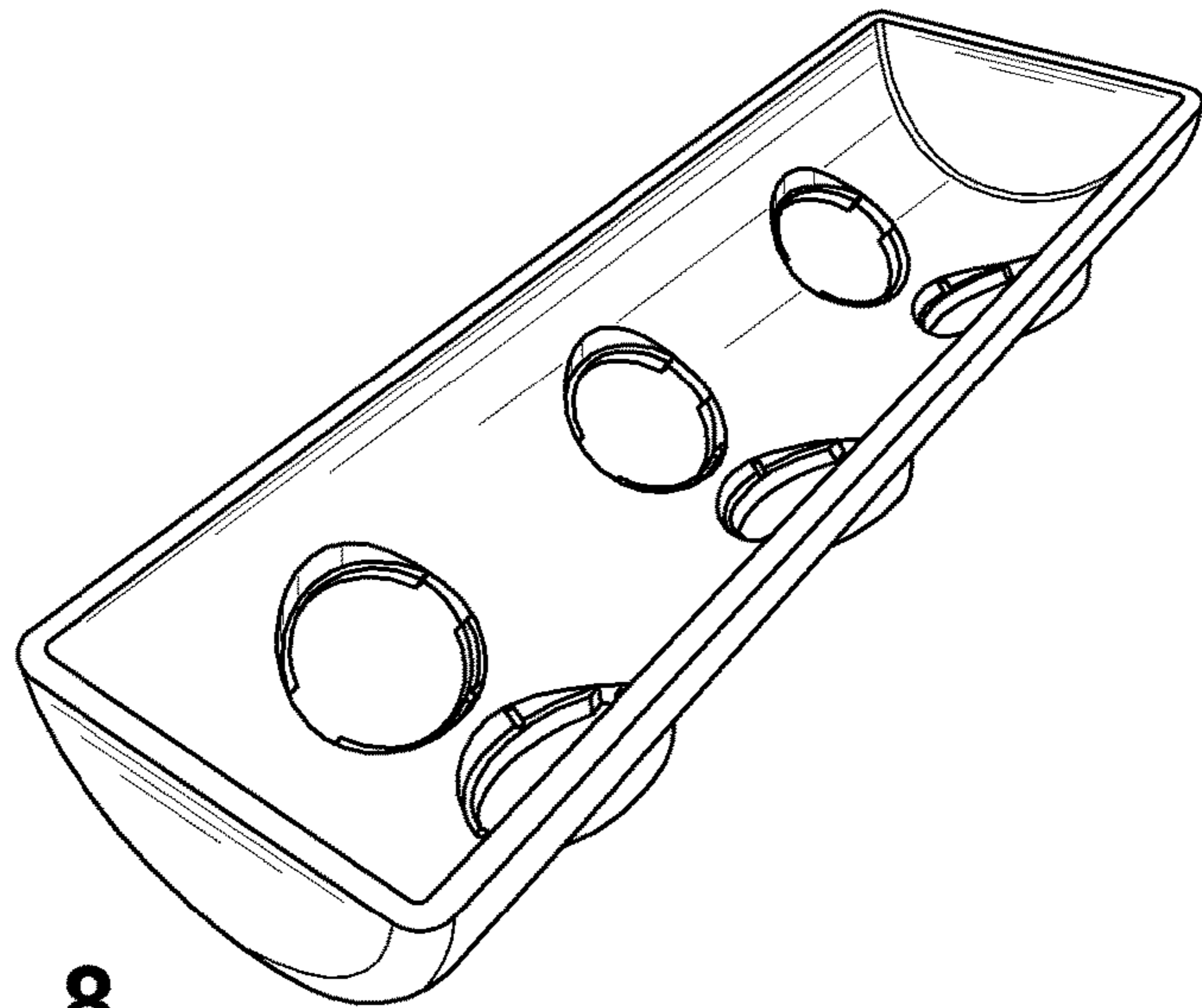


FIG. 8

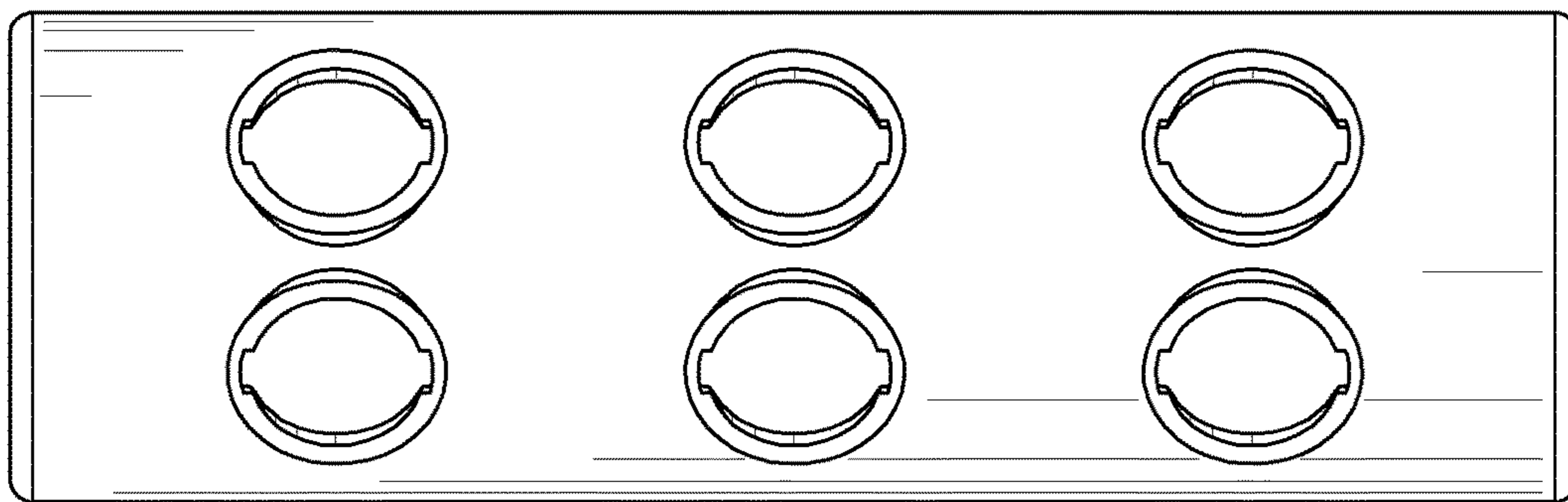


FIG. 9

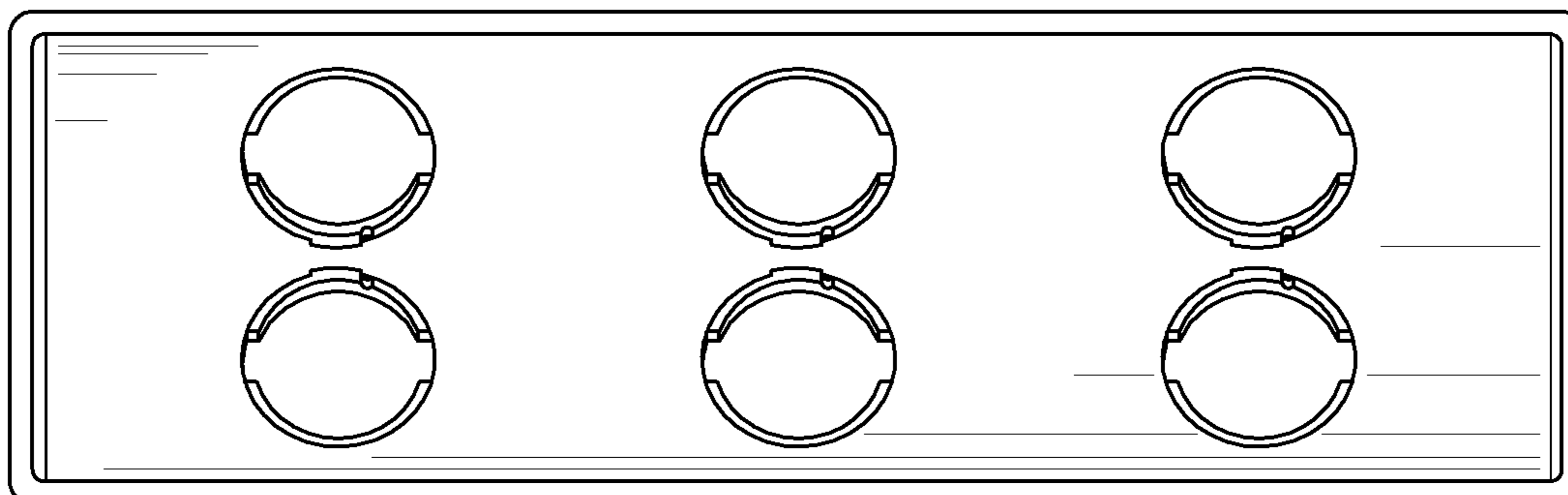


FIG. 10

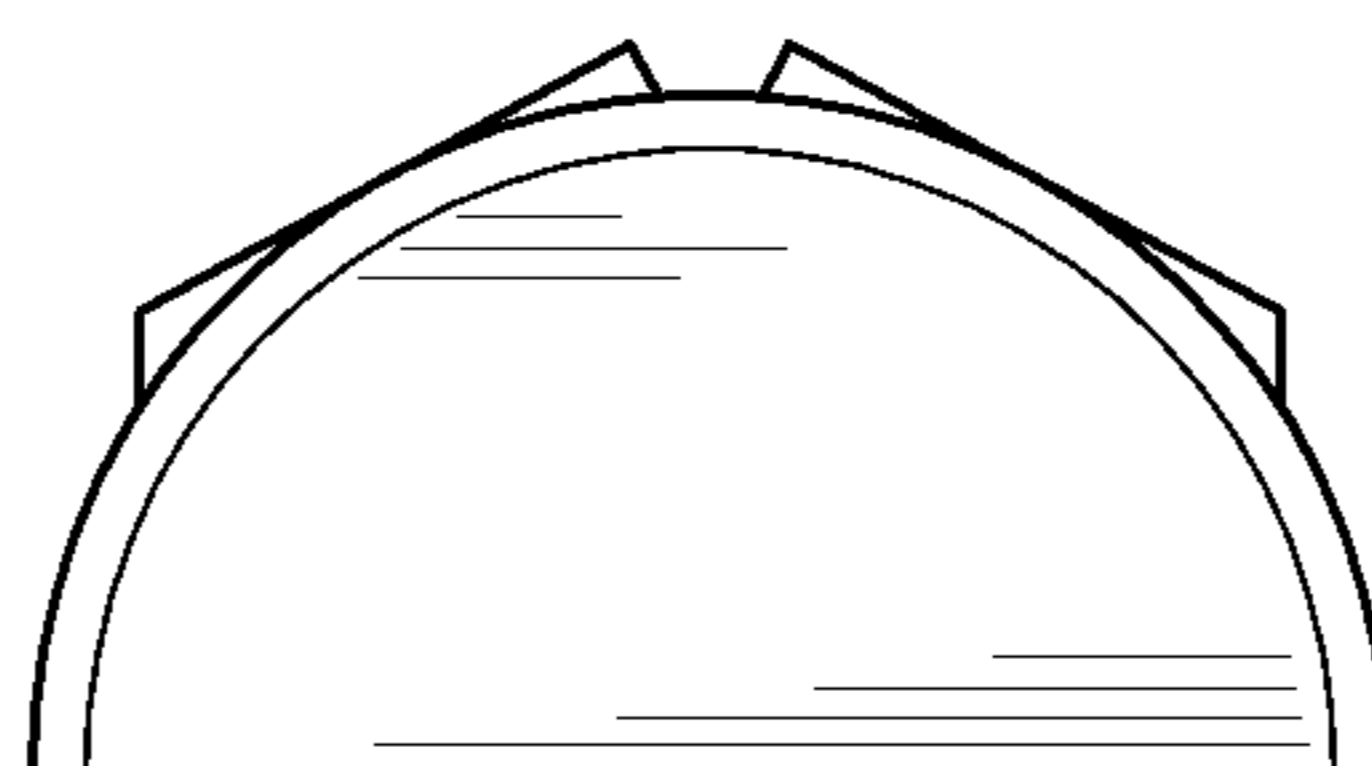


FIG. 11

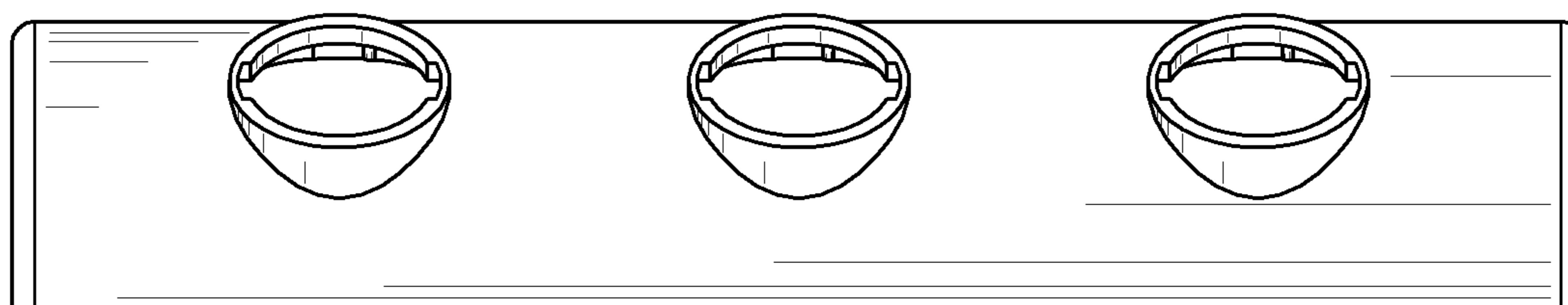


FIG. 12

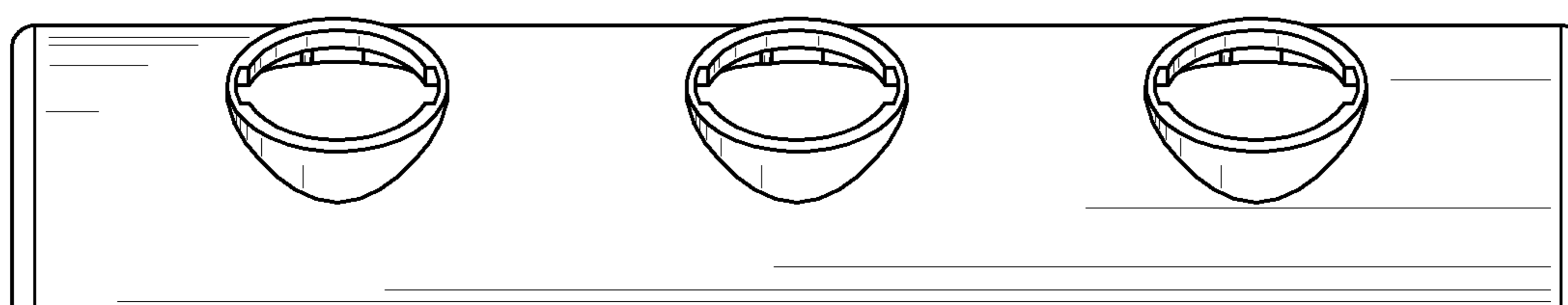


FIG. 13

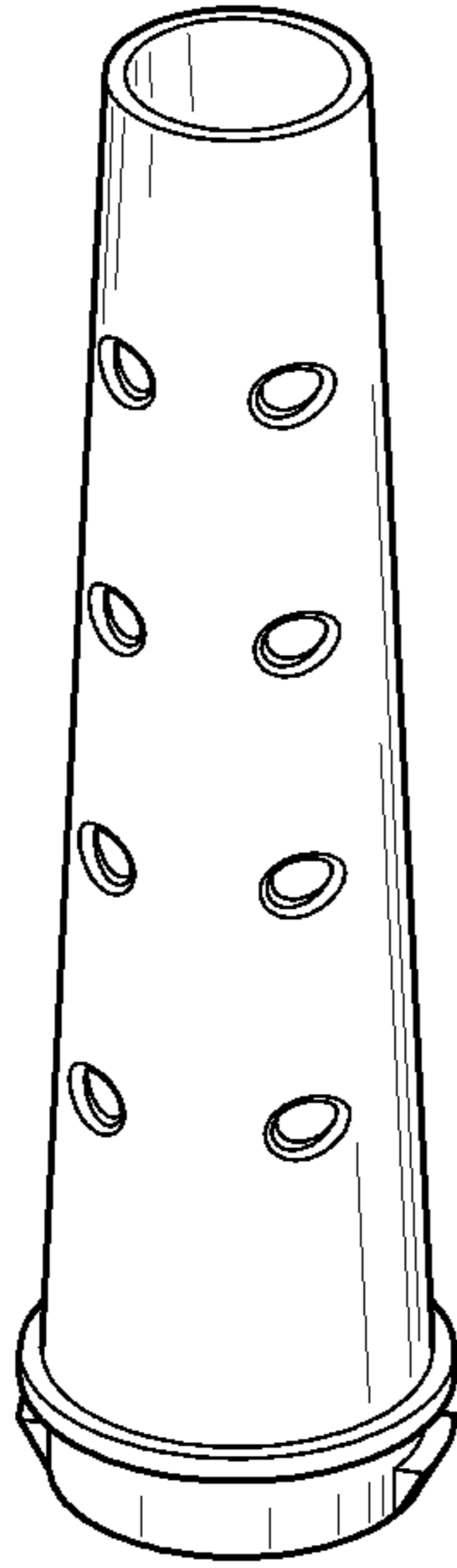


FIG. 14

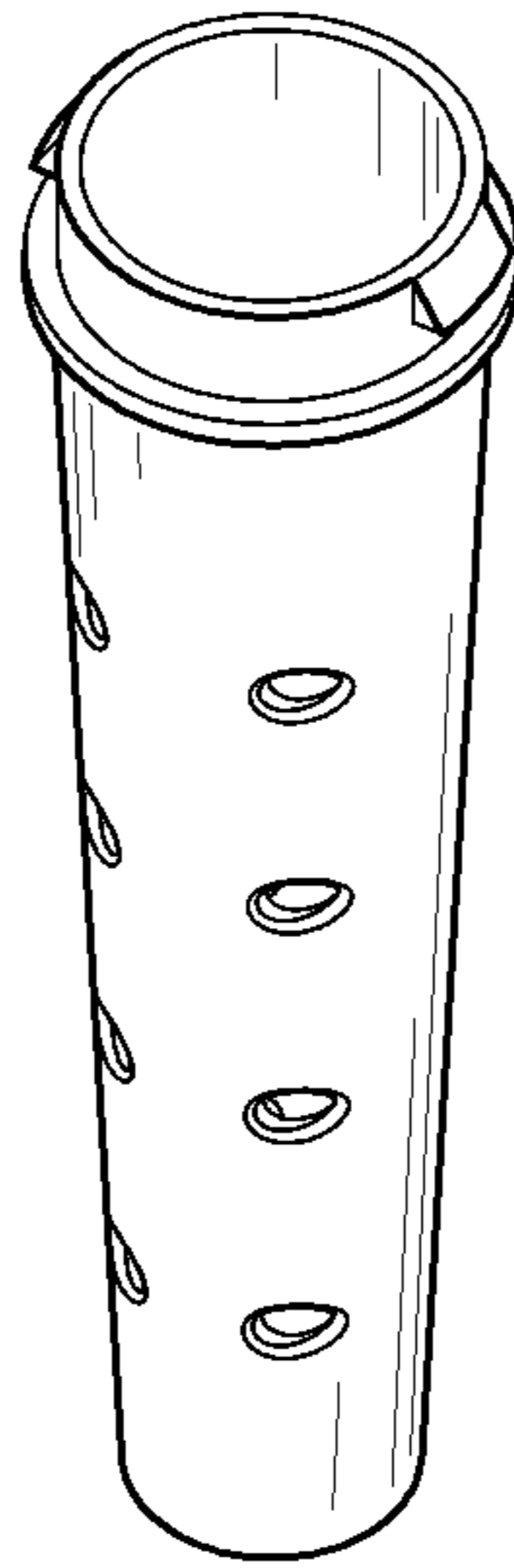


FIG. 15

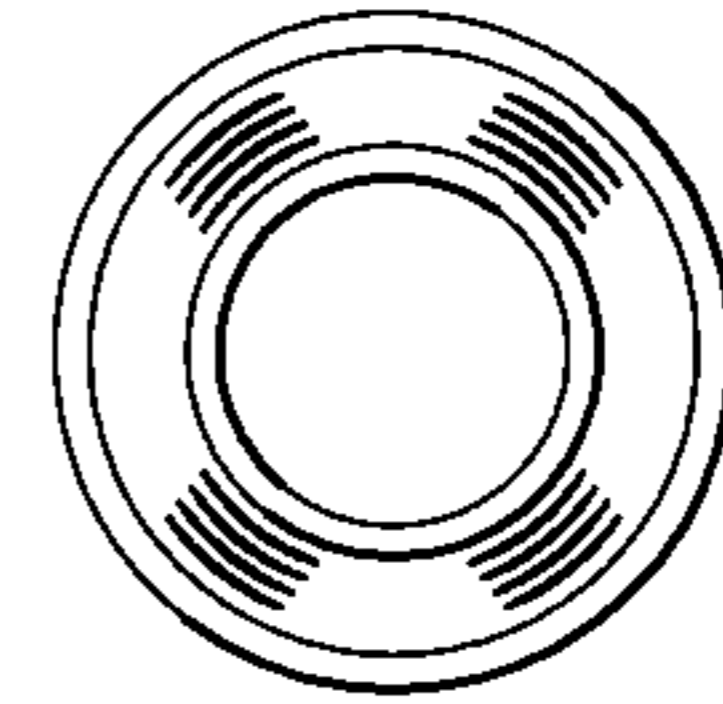


FIG. 16

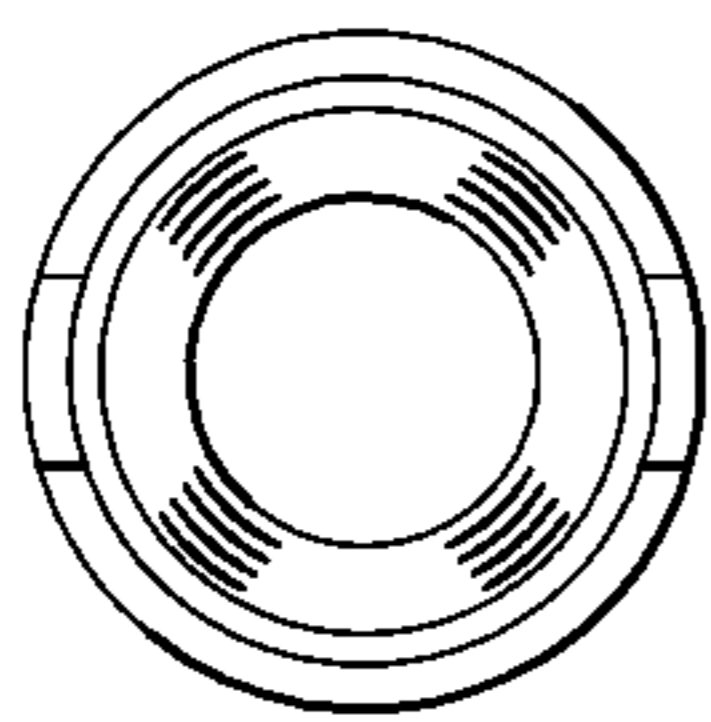


FIG. 17

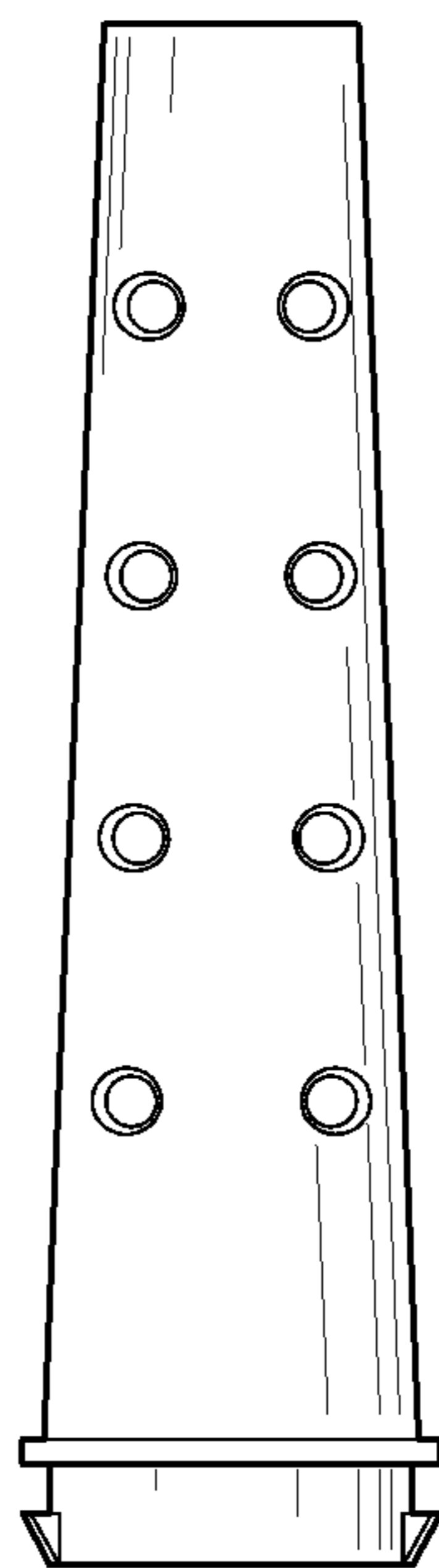


FIG. 18

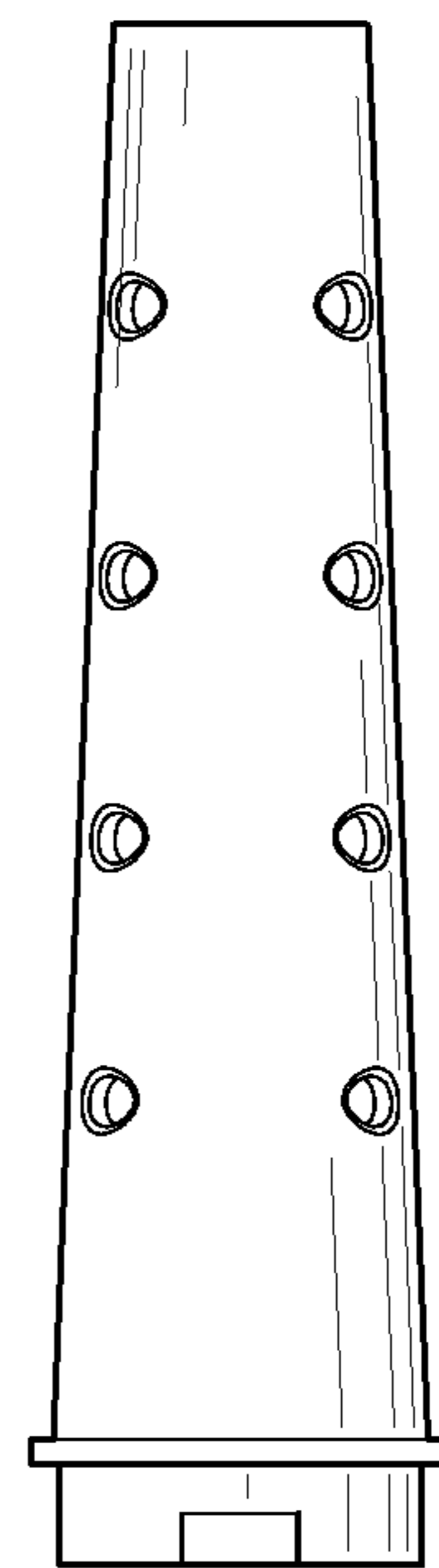


FIG. 19