

US00D924516S

(12) **United States Design Patent** (10) **Patent No.:** **US D924,516 S**  
**Ciarallo** (45) **Date of Patent:** **\*\* Jul. 6, 2021**

(54) **EQUIPMENT AND CLOTHES DRYER**

(71) Applicant: **Domenico Ciarallo**, Kirkland (CA)

(72) Inventor: **Domenico Ciarallo**, Kirkland (CA)

(73) Assignee: **Domenico Ciarallo**, Kirkland (CA)

(\* ) Notice: This patent is subject to a terminal disclaimer.

(\*\*) Term: **14 Years**

(21) Appl. No.: **29/462,272**

(22) Filed: **Aug. 1, 2013**

(51) **LOC (13) Cl.** ..... **07-05**

(52) **U.S. Cl.**  
USPC ..... **D32/58**

(58) **Field of Classification Search**  
USPC ..... D32/55, 276, 3, 58; D6/510, 525;  
211/41.5, 41.4, 41.3, 41.8, 195, 200;  
361/679.4; 312/311, 333, 334.4;  
D7/354, 629, 368  
CPC .. F26B 25/18; F26B 9/003; A61L 9/20; A47F  
3/08; A47F 43/00; D06F 57/12  
See application file for complete search history.

(56) **References Cited**

**U.S. PATENT DOCUMENTS**

2,769,248	A *	11/1956	Ashworth	.....	34/665
D184,267	S *	1/1959	Terral	.....	D32/58
D261,350	S *	10/1981	Koshiyama	.....	D32/58
D263,923	S *	4/1982	Koshiyama	.....	D32/58
D265,045	S *	6/1982	Taniyama	.....	D32/58
D271,913	S *	12/1983	Nanfito et al.	.....	D32/55

D339,667	S *	9/1993	Fitzpatrick	.....	D32/58
D355,288	S *	2/1995	Mallen	.....	D32/58
5,421,542	A *	6/1995	Crutcher	.....	248/95
D391,706	S *	3/1998	Malcolm	.....	D32/35
D394,926	S *	6/1998	Lindsay	.....	D32/58
D487,831	S *	3/2004	Savoie	.....	D32/58
D545,021	S *	6/2007	Verbeek	.....	D32/58
D545,520	S *	6/2007	Oberdorf	.....	D32/58
D599,601	S *	9/2009	Mallen	.....	D6/552
D655,877	S *	3/2012	Greenway et al.	.....	D32/58
D676,294	S *	2/2013	Tu	.....	D7/704
D683,096	S *	5/2013	Stumpo	.....	D32/58
D720,907	S *	1/2015	Perez	.....	D32/58
2015/0033575	A1 *	2/2015	Ciarallo	.....	34/275

\* cited by examiner

*Primary Examiner* — Austin Murphy

(74) *Attorney, Agent, or Firm* — Benoit & Côté, inc.

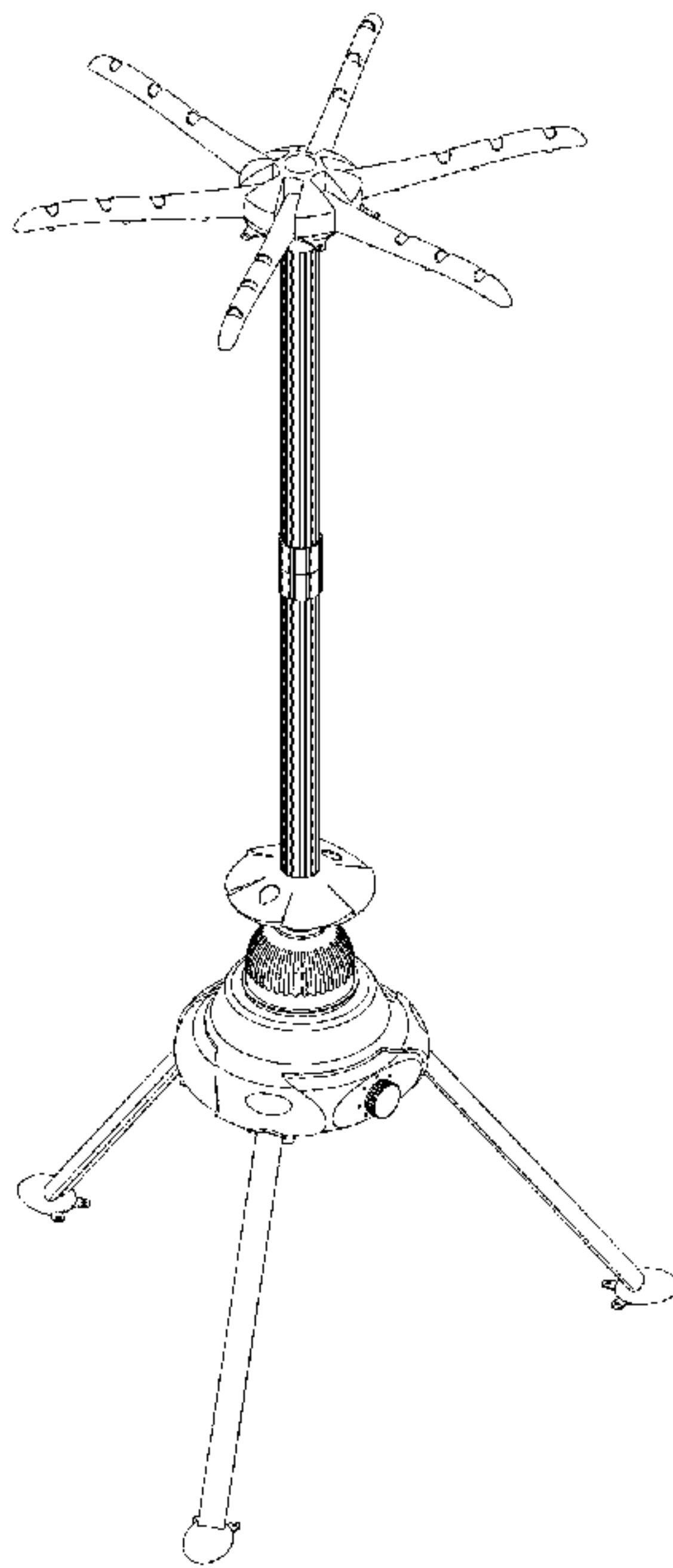
(57) **CLAIM**

I claim the ornamental design for equipment and clothes dryer, as shown and described.

**DESCRIPTION**

FIG. 1 is a perspective view of a first embodiment of my ornamental design of the equipment and clothes dryer; FIG. 2 is a front view of the equipment and clothes dryer; FIG. 3 is a right side view of the equipment and clothes dryer; FIG. 4 is a left side view of the equipment and clothes dryer; FIG. 5 is a rear view of the equipment and clothes dryer; FIG. 6 is a top plan view of the equipment and clothes dryer; and, FIG. 7 is a bottom plan view of the equipment and clothes dryer.

**1 Claim, 6 Drawing Sheets**



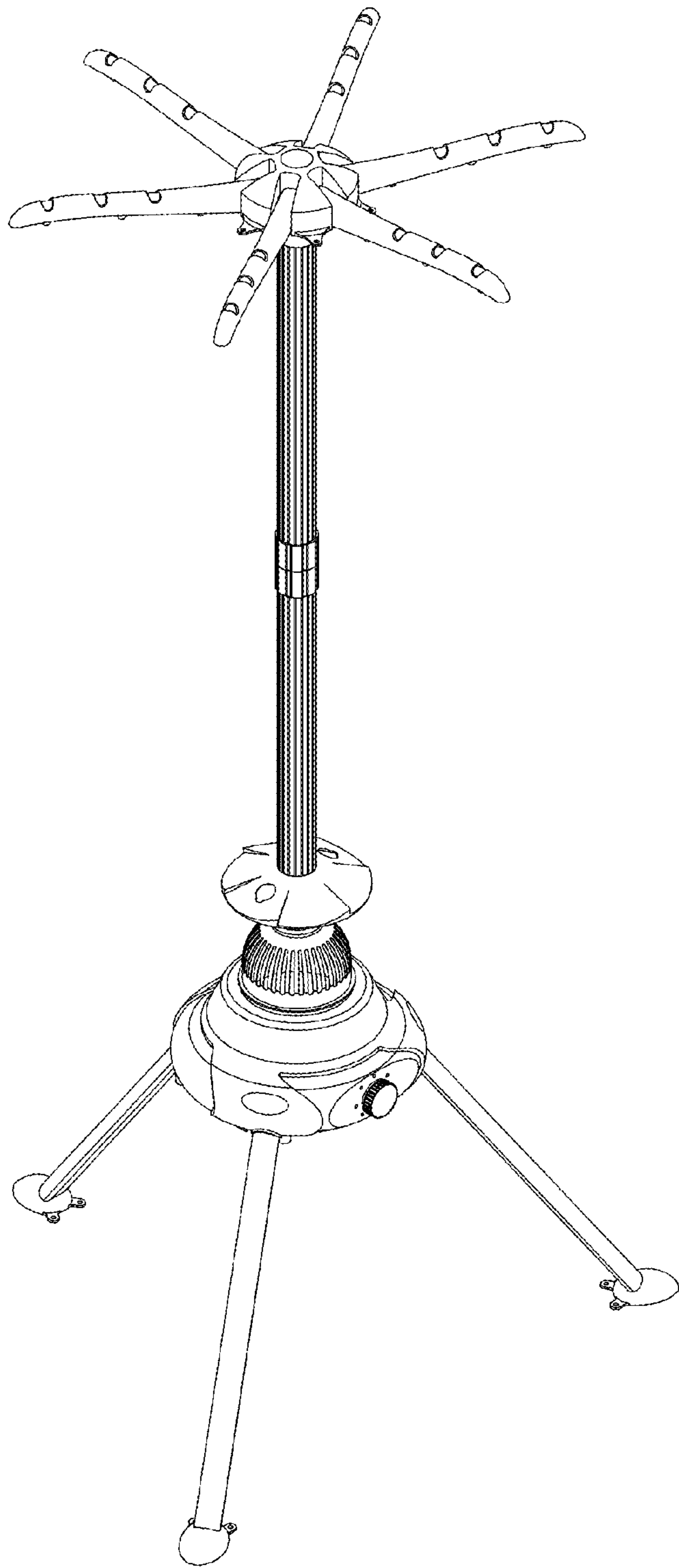


FIG. 1

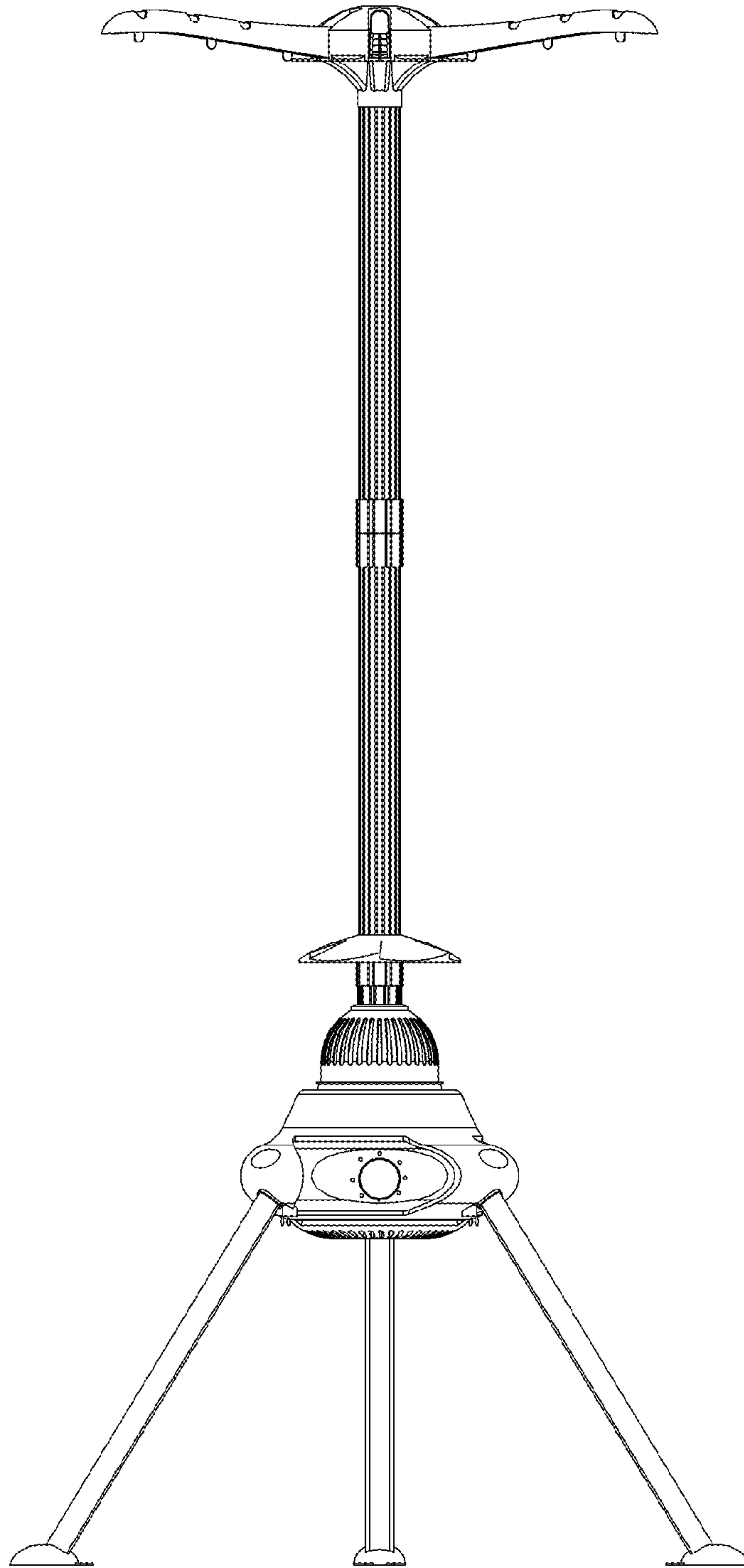


FIG. 2

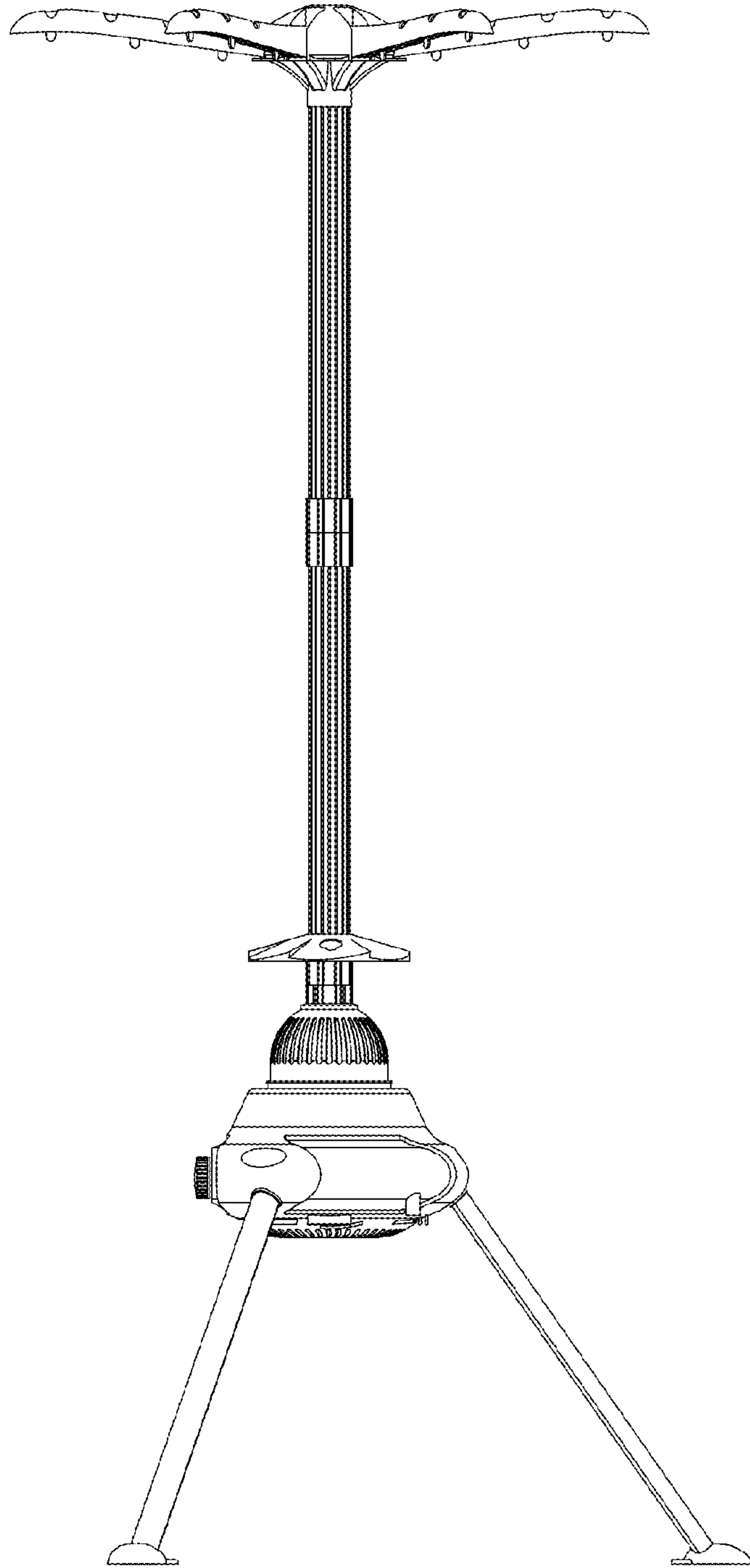


FIG. 3

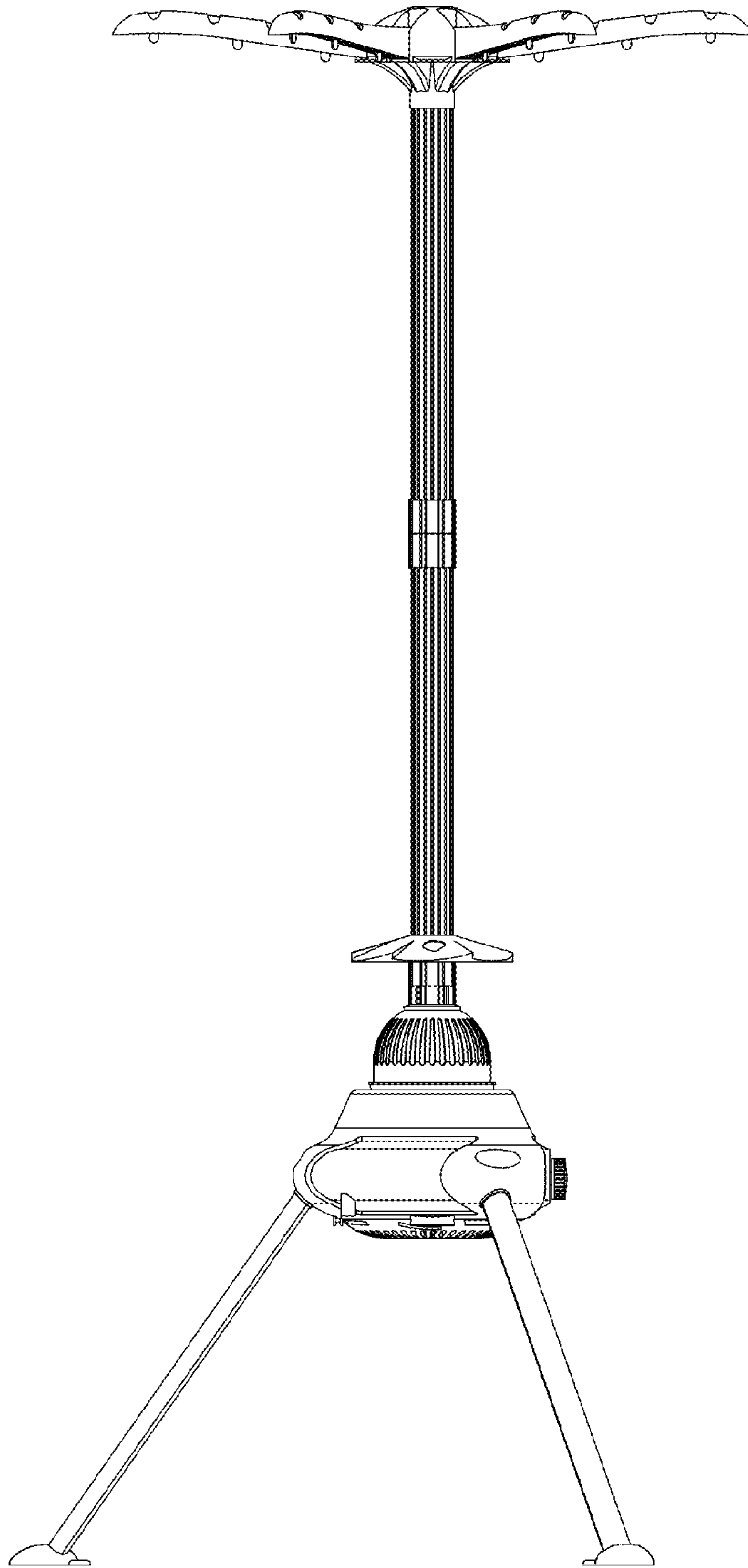
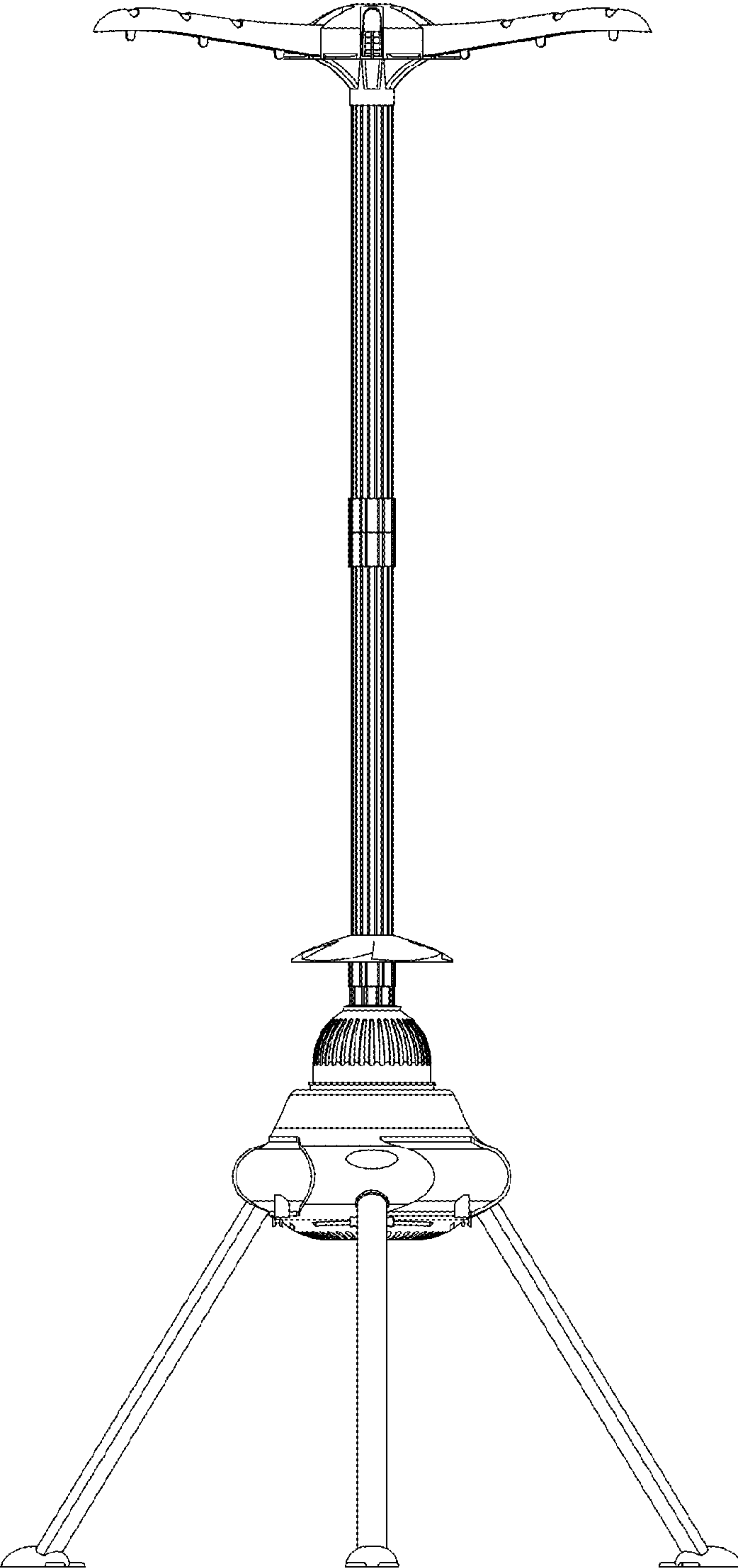


FIG. 4



*FIG. 5*



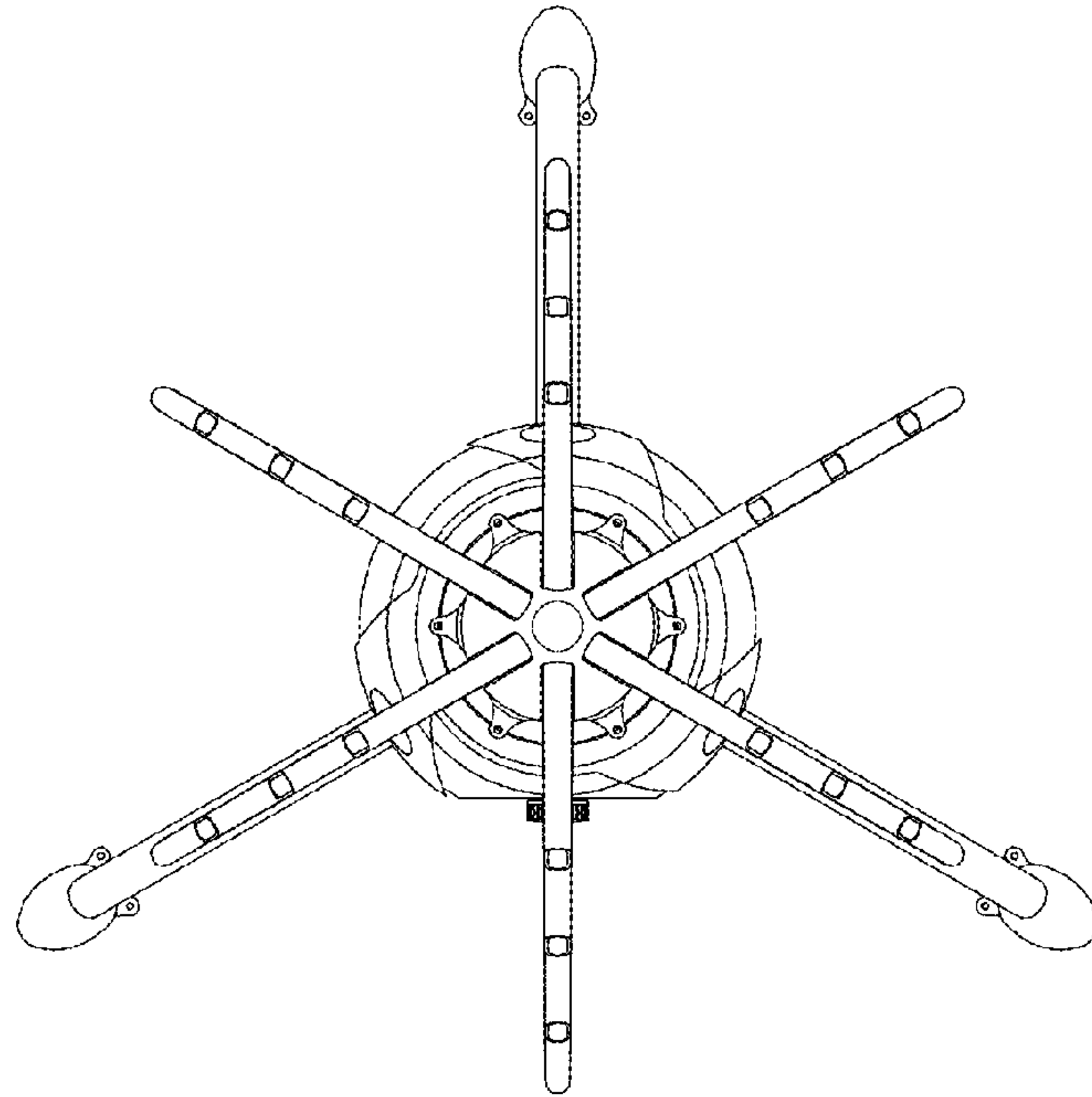


FIG. 6

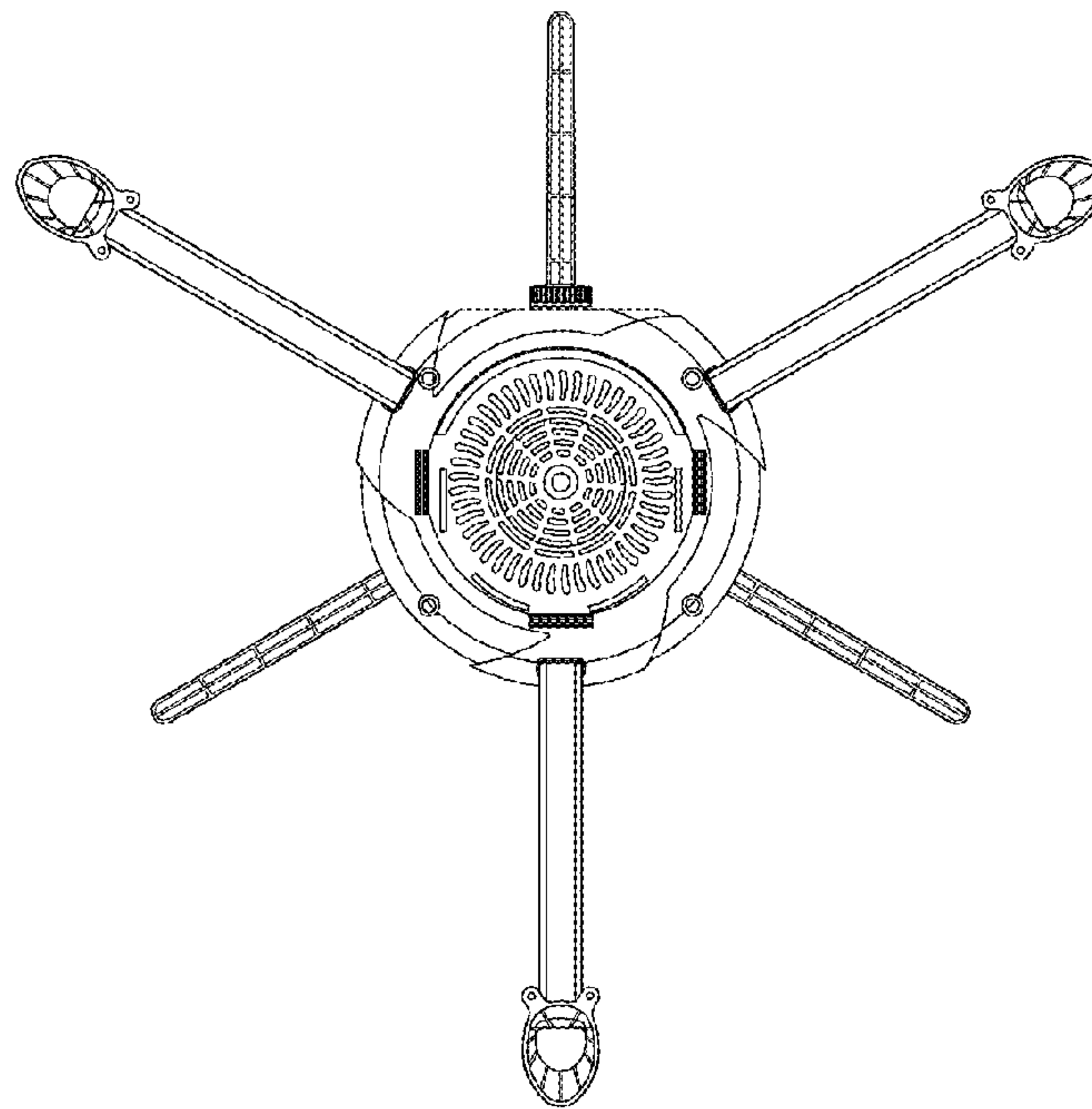


FIG. 7