

US00D924515S

(12) **United States Design Patent** (10) **Patent No.:** **US D924,515 S**
Levi (45) **Date of Patent:** **** Jul. 6, 2021**

(54) **MAT**

(71) Applicant: **ICG Licensing LLC**, Port Washington, NY (US)

(72) Inventor: **Russell Levi**, Port Washington, NY (US)

(73) Assignee: **Kraus USA Plumbing LLC**, Port Washington, NY (US)

(**) Term: **15 Years**

(21) Appl. No.: **29/709,637**

(22) Filed: **Oct. 16, 2019**

(51) **LOC (13) Cl.** **07-05**

(52) **U.S. Cl.**
USPC **D32/57; D32/55**

(58) **Field of Classification Search**
USPC D32/55, 276, 3; D6/510, 525; D30/133; 211/41.5, 41.4, 41.3, 41.8; 361/679.4; 312/311, 333, 334.4; D7/354, 629
CPC .. A47L 15/505; A47L 15/503; A47L 15/0013; A47L 19/02; A47L 19/04; A47J 47/20
See application file for complete search history.

(56) **References Cited**

U.S. PATENT DOCUMENTS

D594,263 S *	6/2009	Robbins, III	D6/582
D602,733 S	10/2009	Huber		
D625,482 S *	10/2010	Yang	D32/57
D707,004 S *	6/2014	Levy	D32/57
D707,005 S *	6/2014	Levy	D32/57
D751,784 S *	3/2016	Robbins, III	D32/55
D781,018 S *	3/2017	Evans	D32/55
D781,518 S *	3/2017	Green	D32/55
9,828,753 B2	11/2017	Bomatter et al.		
D830,657 S *	10/2018	Green	D32/55
D881,496 S	4/2020	Eilmus		
D882,198 S *	4/2020	Benishai	D32/55

(Continued)

FOREIGN PATENT DOCUMENTS

EP 3031370 B1 5/2017

OTHER PUBLICATIONS

https://www.amazon.com/Drying-Stainless-Kitchen-Folding-Drainer16/dp/B01MS89XVI/ref=asc_df_B01MS89XVI/?tag=hyprod-20&linkCode=df0&hvadid=167127663572&hvpos=&hvnetw=g&hvrnd=15728758667302621091&hvpone=&hytwo=&hvqmt=&hvdev=c&hvdvcmld=&hvlocint=&hvlocphy=1023102&hvtargid=pla-309597990378&psc=1; retrieved Aug. 7, 2020.

Primary Examiner — Austin Murphy

(74) *Attorney, Agent, or Firm* — Nirav D. Parikh; Edgar A. Zarins

(57) **CLAIM**

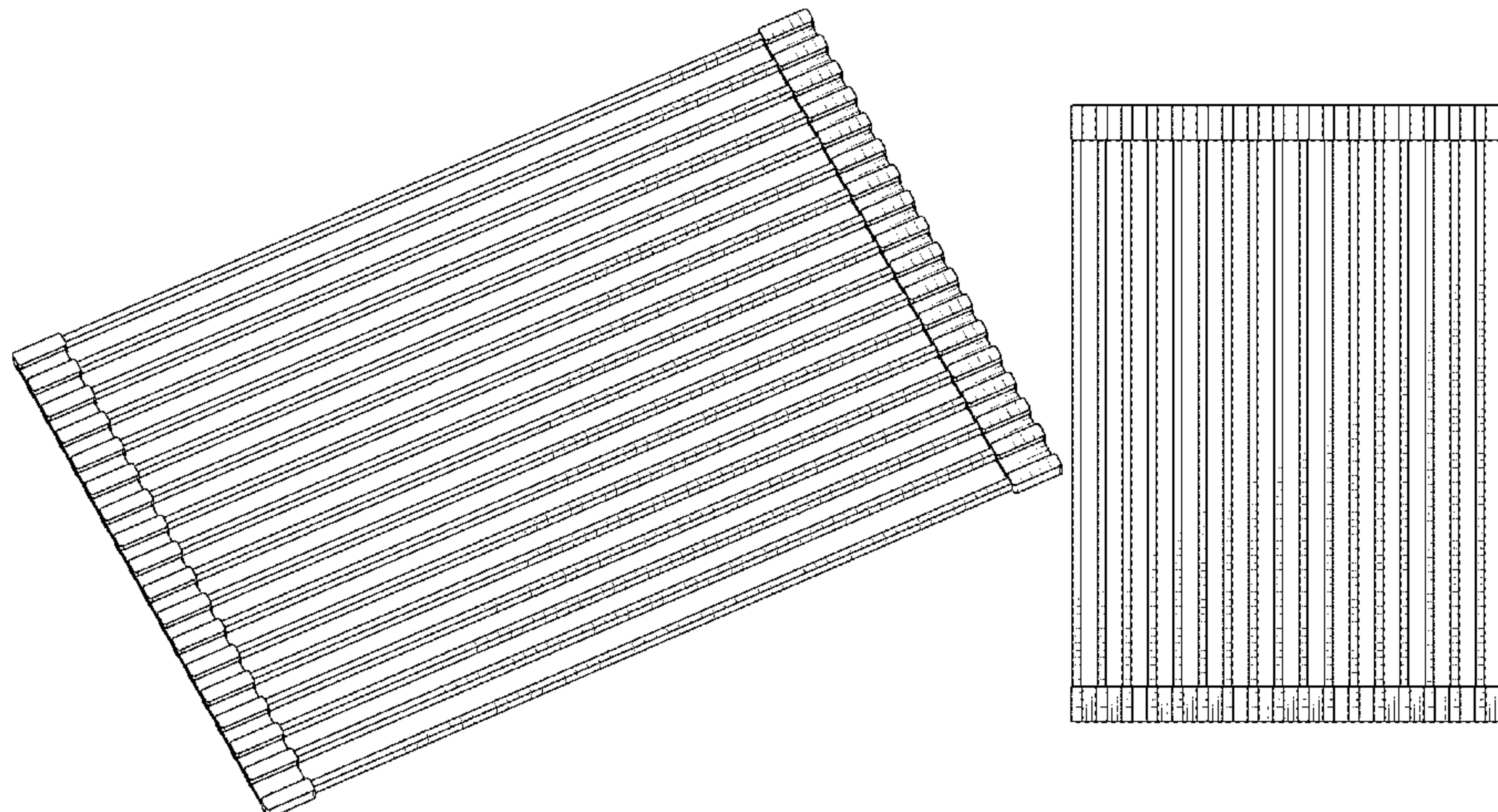
The ornamental design for a mat, as shown and described.

DESCRIPTION

FIG. 1 is a front perspective view of a mat in an open configuration in accordance with the present design; FIG. 2 is a top plan view thereof; FIG. 3 is a bottom plan view thereof; FIG. 4 is a right side elevational view thereof; FIG. 5 is a left side elevational thereof; FIG. 6 is a front elevational view thereof; FIG. 7 is a rear elevational view thereof; and FIG. 8 is a perspective view of the mat in a half rolled configuration in accordance with the present design; FIG. 9 is a perspective view of the mat in a fully rolled configuration in accordance with the present design; FIG. 10 is a top plan view thereof; FIG. 11 is a bottom plan view thereof; FIG. 12 is a right side elevational view thereof; FIG. 13 is a left side elevational thereof; FIG. 14 is a front elevational view thereof; FIG. 15 is a rear elevational view thereof; and, FIG. 16 is a perspective view of the mat in an unrolled configuration in its environment.

The broken lines shown are not part of the claimed design and are only for purposes of showing environment.

1 Claim, 10 Drawing Sheets



(56)

References Cited

U.S. PATENT DOCUMENTS

D895,220	S	9/2020	Eilmus	
D897,063	S *	9/2020	Green	D32/55
D904,709	S *	12/2020	Gee, II	D32/57
D904,710	S *	12/2020	Gee, II	D32/57
2008/0179264	A1 *	7/2008	Abrams	A47L 19/02 211/41.3
2016/0206176	A1	7/2016	Eilmus	

* cited by examiner

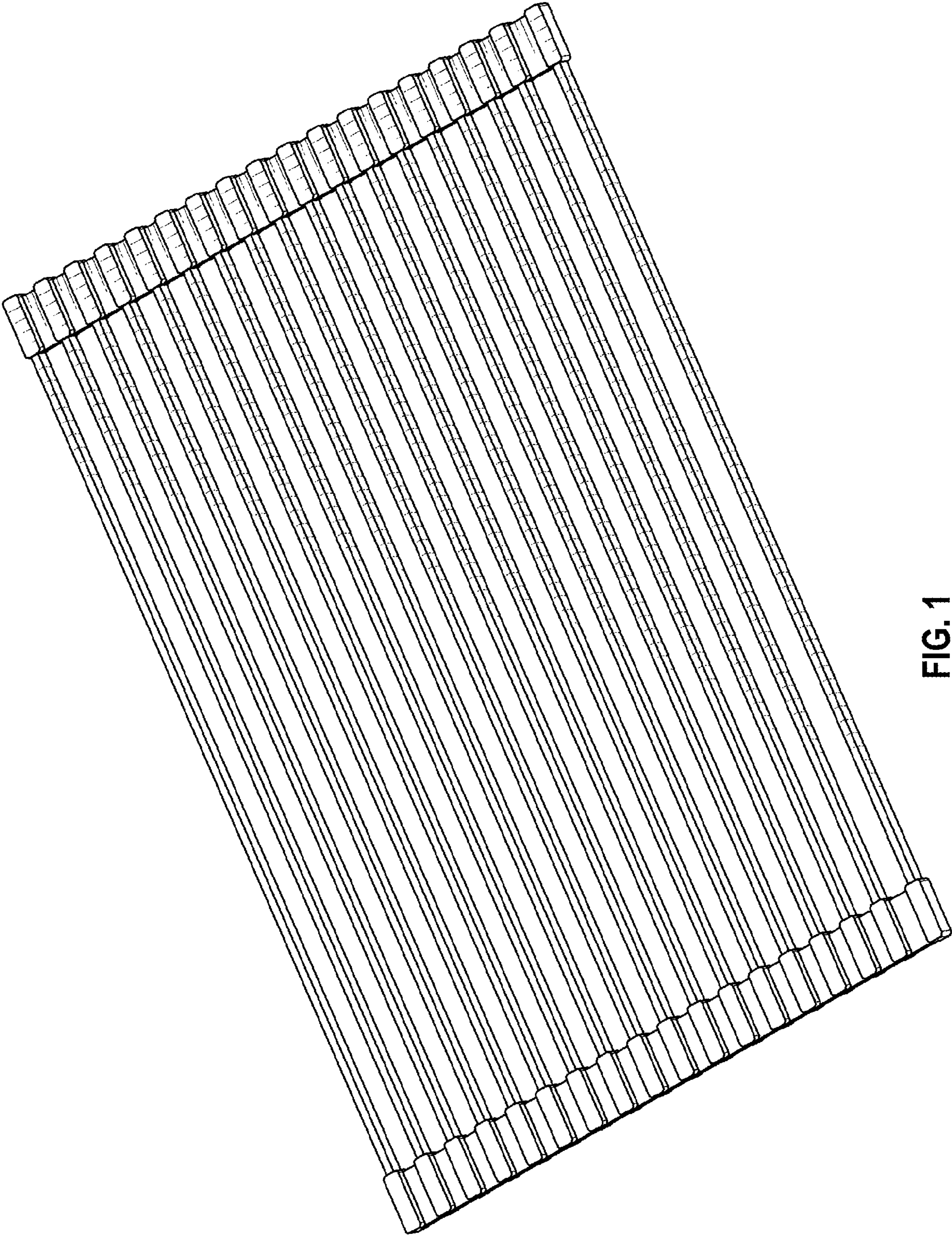


FIG. 1

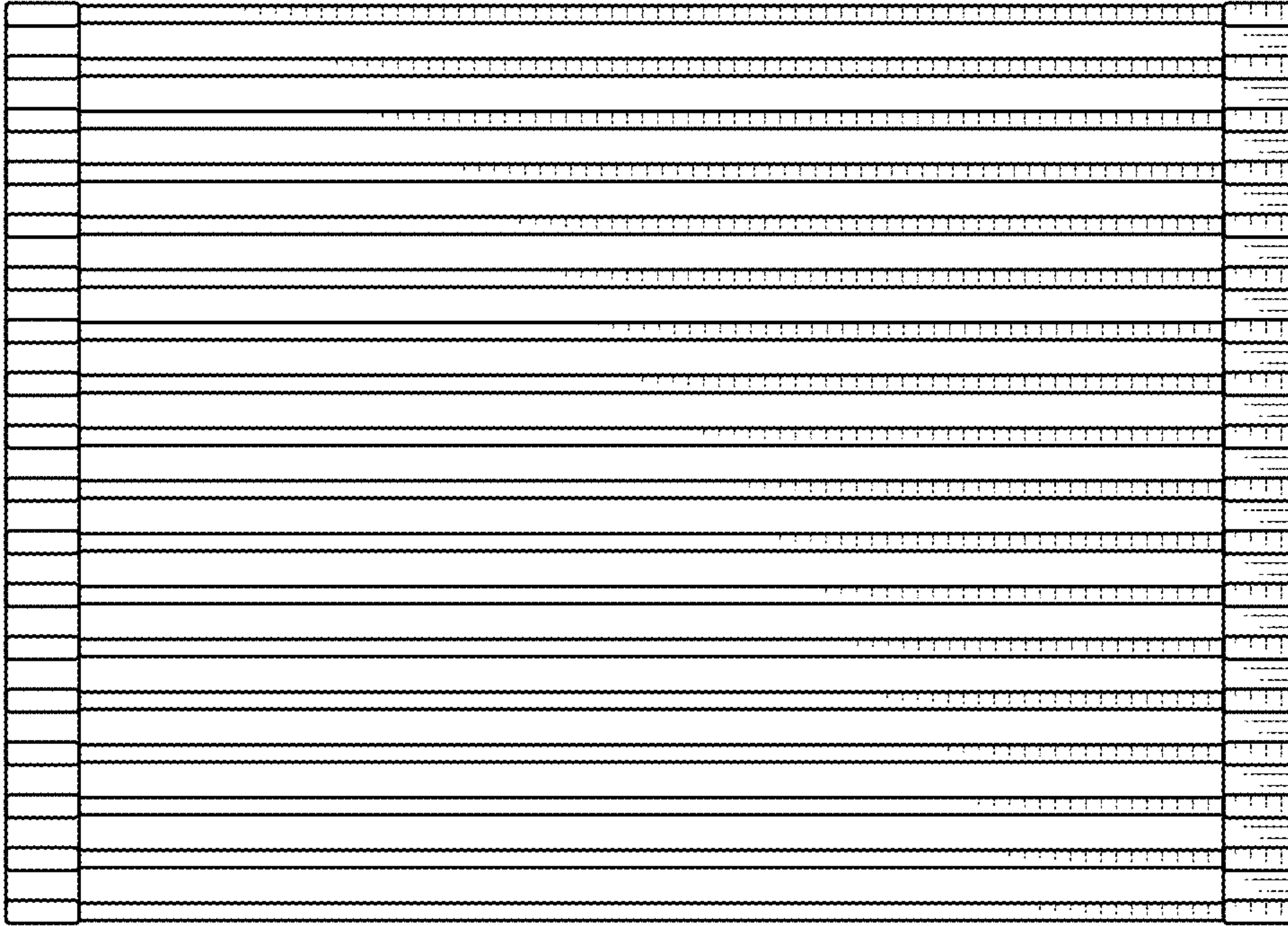


FIG. 3

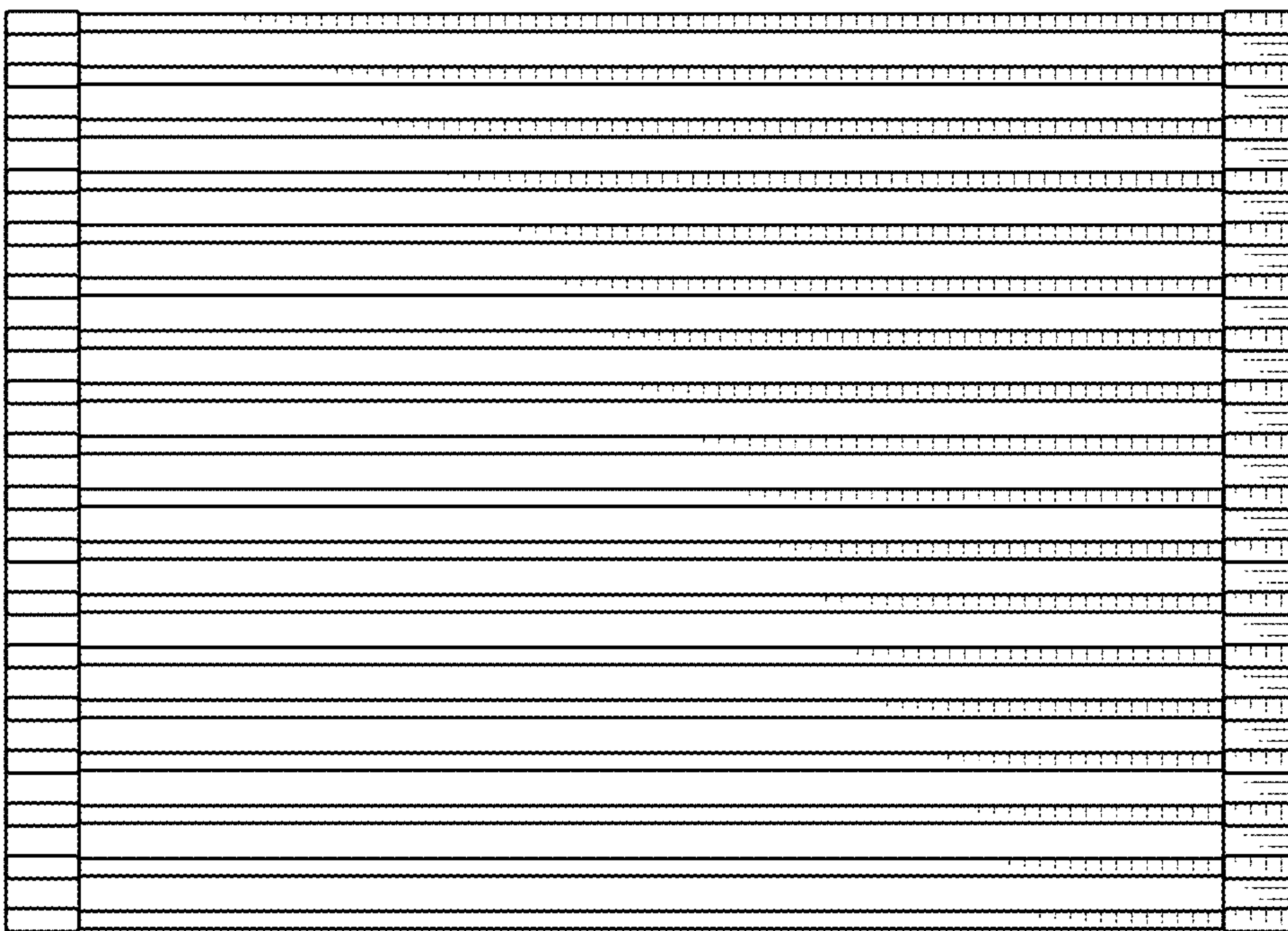


FIG. 2



FIG. 4



FIG. 5



FIG. 6



FIG. 7

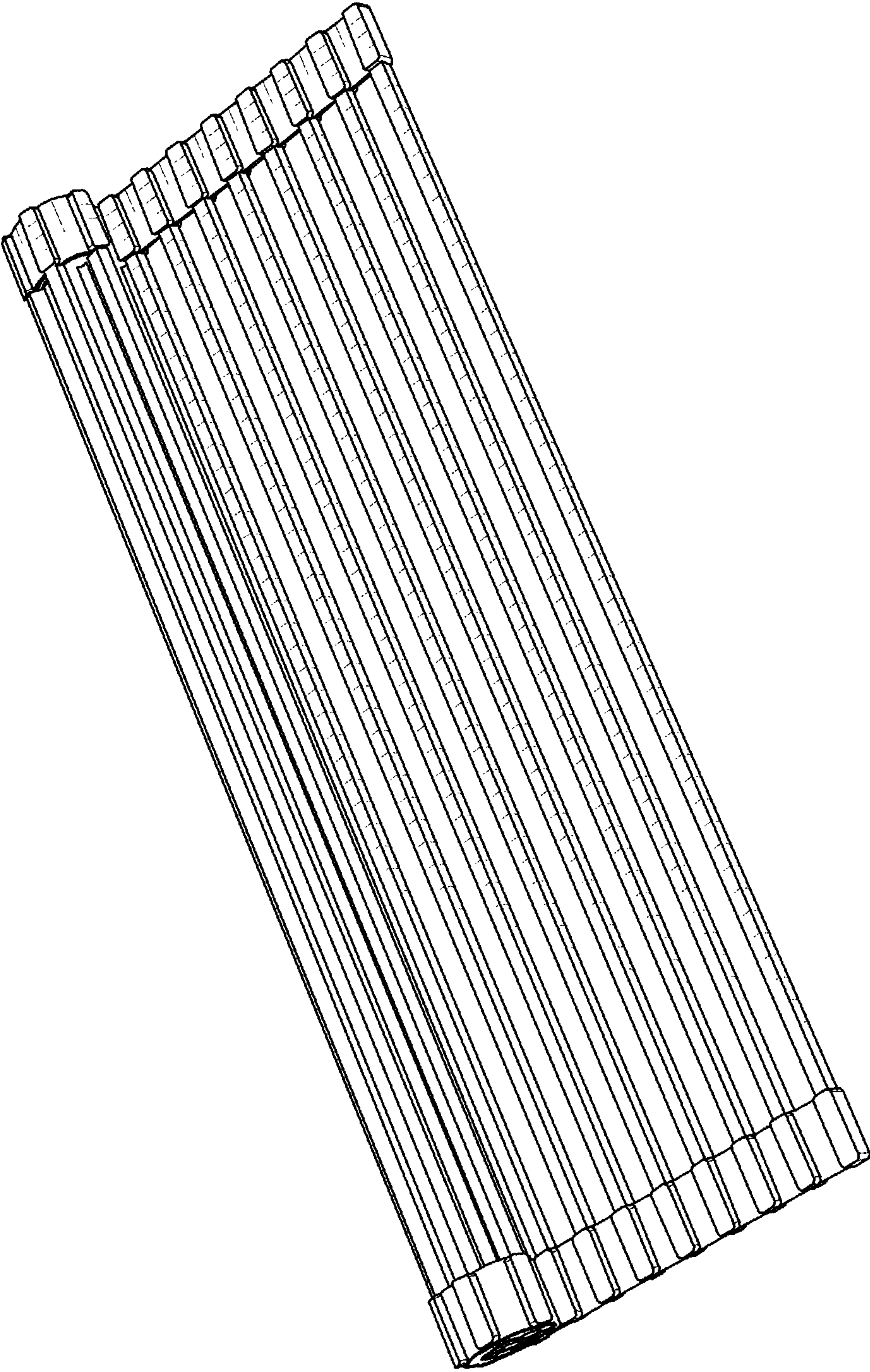


FIG. 8

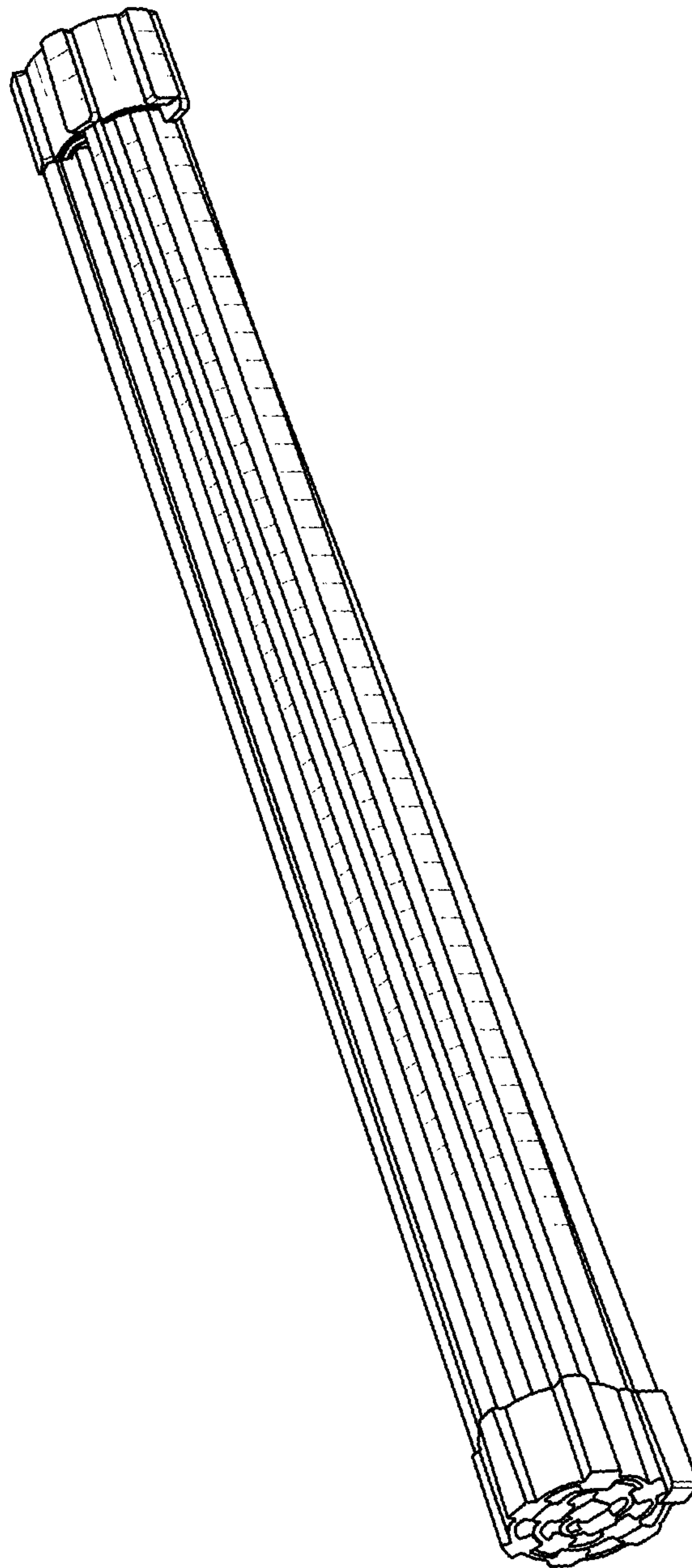


FIG. 9

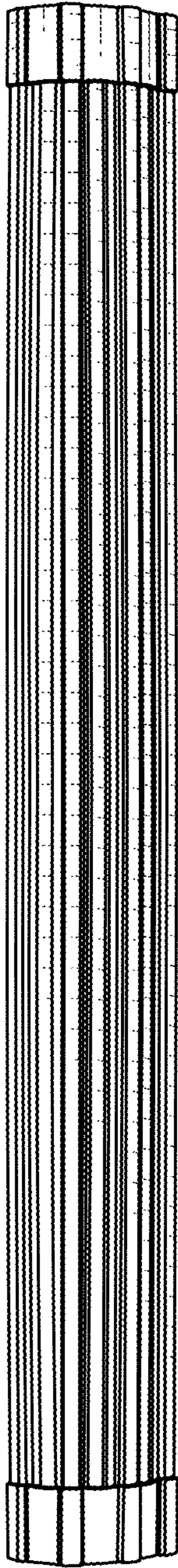


FIG. 10

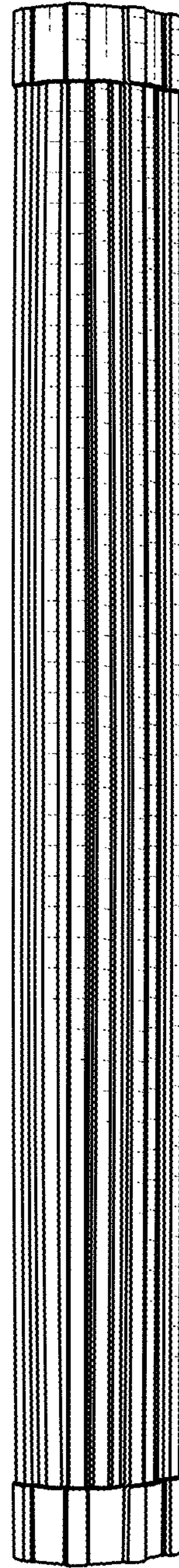


FIG. 11

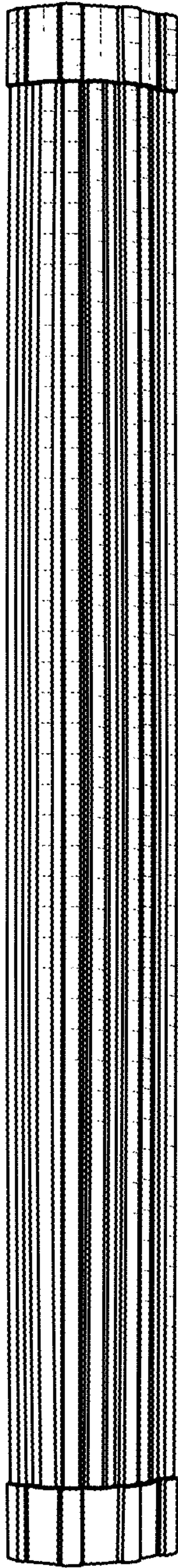


FIG. 12

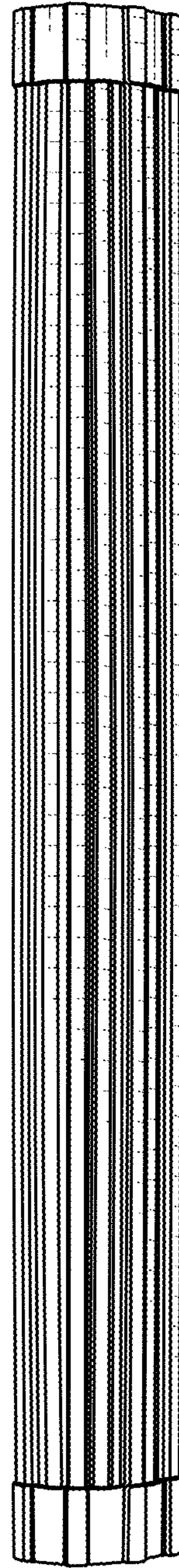


FIG. 13

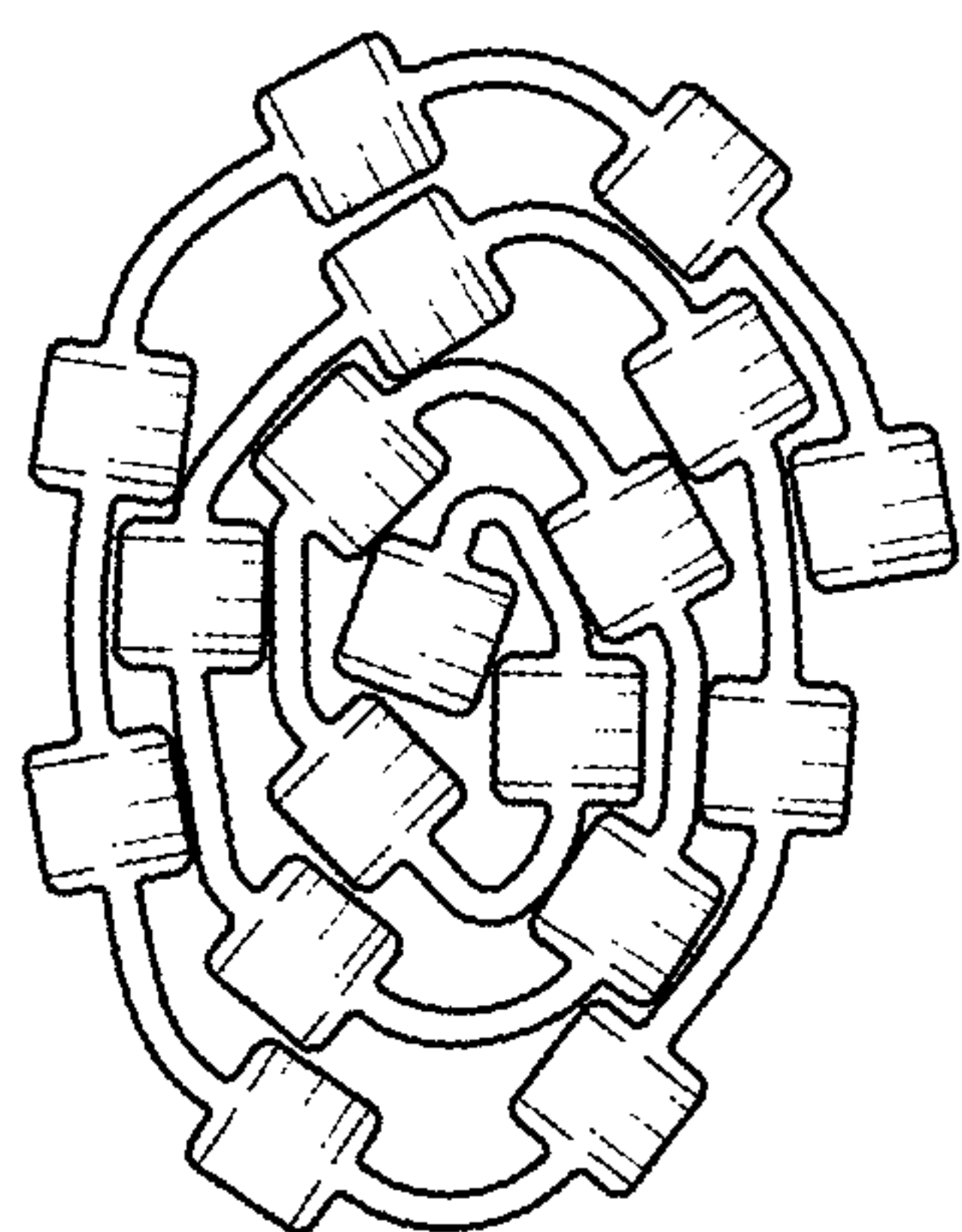


FIG. 14

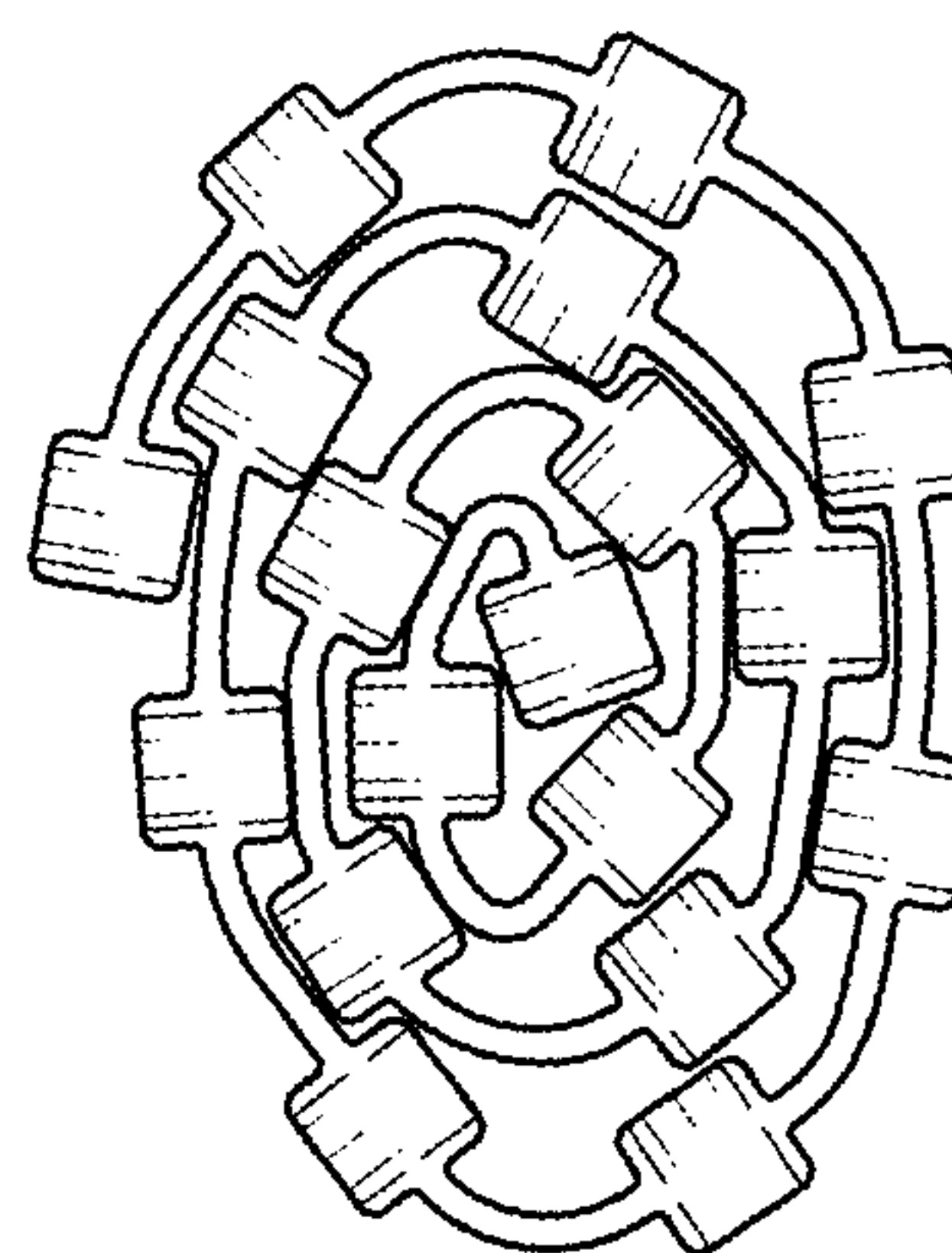


FIG. 15

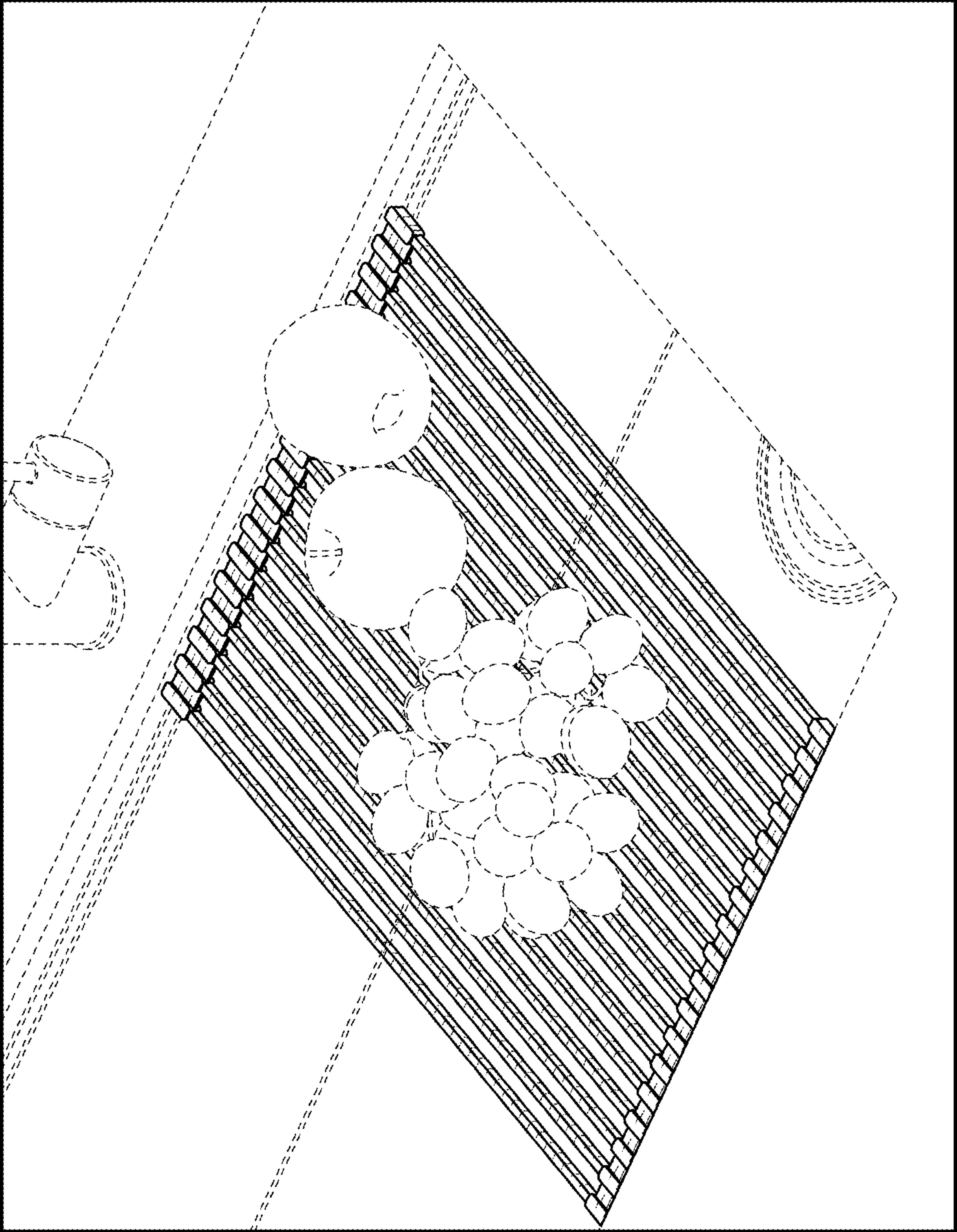


FIG. 16