



US00D924514S

(12) **United States Design Patent**
Kauffman et al.

(10) **Patent No.:** **US D924,514 S**

(45) **Date of Patent:** **** Jul. 6, 2021**

(54) **HOUSEHOLD SQUEEGEE**

(71) Applicant: **FC Brands Limited**, Central Hong Kong (HK)

(72) Inventors: **Heather Kauffman**, Larchmont, NY (US); **Pieter Schouten**, Berkeley, CA (US); **David Chitayat**, Shanghai (CN); **Tal Chitayat**, New York, NY (US)

(73) Assignee: **FC Brands Limited**, Central Hong Kong (HK)

(**) Term: **15 Years**

(21) Appl. No.: **29/726,363**

(22) Filed: **Mar. 3, 2020**

(51) **LOC (13) Cl.** **07-05**

(52) **U.S. Cl.**
USPC **D32/41**

(58) **Field of Classification Search**
USPC D32/41, 46, 49-52, 74; D7/688;
D8/105; D4/104, 138; D18/56; D10/14
CPC . A47L 13/10; A47L 13/12; B60S 3/04; B25G
1/00; B25G 1/06
See application file for complete search history.

(56) **References Cited**

U.S. PATENT DOCUMENTS

- 2,286,113 A * 6/1942 Schlacter A47L 11/4025
15/41.1
- 3,058,135 A * 10/1962 Harrison A47L 11/33
15/41.1
- 3,676,888 A * 7/1972 Akers B44D 3/105
15/245
- D320,483 S * 10/1991 Desautel D32/46
- D343,559 S * 1/1994 Liberty D8/45
- 5,321,868 A * 6/1994 Coulson B41F 15/02
101/114
- D357,563 S * 4/1995 Vosbikian D32/41
- D362,934 S * 10/1995 Hansen D32/41

- D377,305 S * 1/1997 Bliss D32/42
- D545,063 S * 6/2007 Sander D4/118
- D613,473 S * 4/2010 Pierce D32/46
- 8,387,201 B1 * 3/2013 Darby A47L 13/11
15/245

(Continued)

FOREIGN PATENT DOCUMENTS

CN 302958489 * 10/2014

OTHER PUBLICATIONS

Amazon.com: Full Circle Crumb Runner, reviews 2020, <https://www.amazon.com/Full-Circle-Crumb-Runner-Squeegee/dp/B0831TWGV7/ref=cm...> site visited Mar. 10, 2021.*

Primary Examiner — John R Yeh

(74) *Attorney, Agent, or Firm* — Pierce Atwood LLP

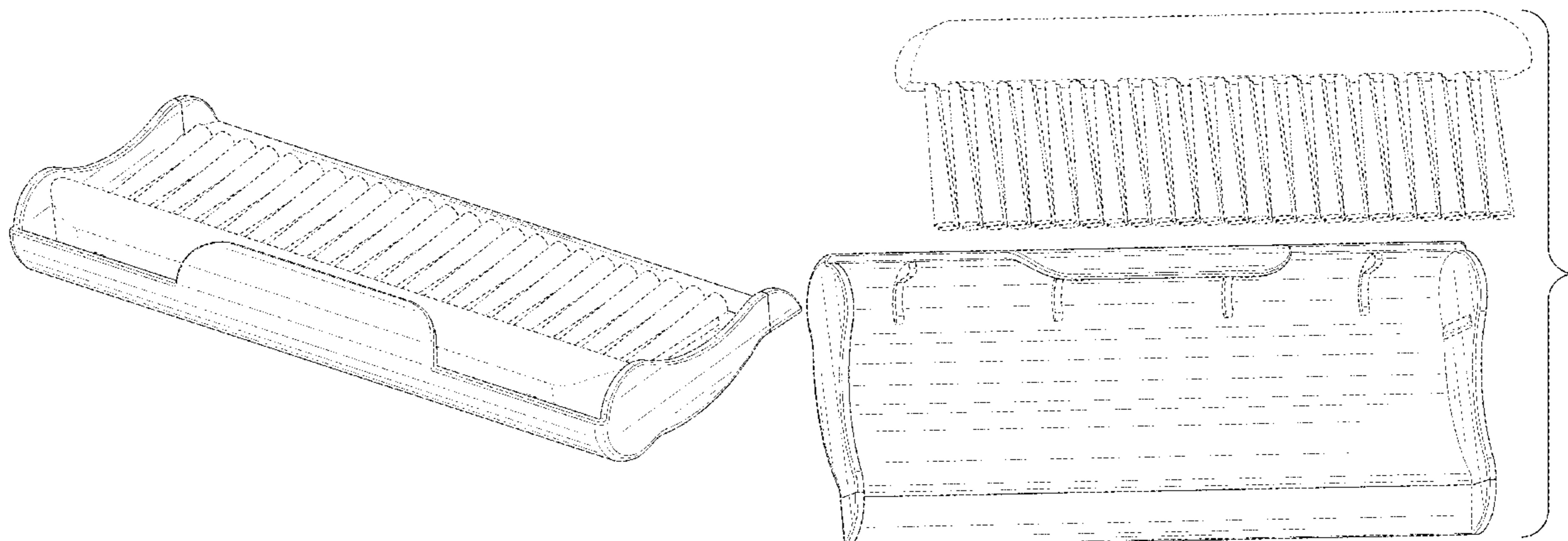
(57) **CLAIM**

The ornamental design for a household squeegee, as shown and described.

DESCRIPTION

FIG. 1 is a rear perspective view of a household squeegee showing our new design;
 FIG. 2 is a front perspective view thereof;
 FIG. 3 is the top plan view thereof;
 FIG. 4 is the bottom plan view thereof;
 FIG. 5 is a right side elevation view thereof;
 FIG. 6 is a left side elevation view thereof;
 FIG. 7 is a rear elevation view thereof;
 FIG. 8 is a front elevation view thereof; and,
 FIG. 9 is an exploded perspective view thereof showing the household squeegee separated from the unclaimed brush. The broken lines showing the brush illustrate environmental subject matter that forms no part of the claimed design. All other broken lines depict portions of the household squeegee that form no part of the claimed design.

1 Claim, 7 Drawing Sheets



(56)

References Cited

U.S. PATENT DOCUMENTS

D761,510 S *	7/2016	Vicari	D32/41
D764,127 S *	8/2016	Vicari	D32/41
D773,766 S *	12/2016	Smith	D32/41
9,913,565 B2 *	3/2018	Smith	A47L 13/11
D825,126 S *	8/2018	Varner	D32/41
D835,371 S *	12/2018	Thompson	D32/74
D843,075 S *	3/2019	Hamilton	D32/40
D846,216 S *	4/2019	Hamilton	D32/40
D855,270 S *	7/2019	Dierickx	D32/41
D860,564 S *	9/2019	Cavero	D32/41
D868,409 S *	11/2019	Kauffman	D32/46
D891,019 S *	7/2020	Courteille	D32/74
D902,514 S *	11/2020	Veldkamp	D32/41

* cited by examiner

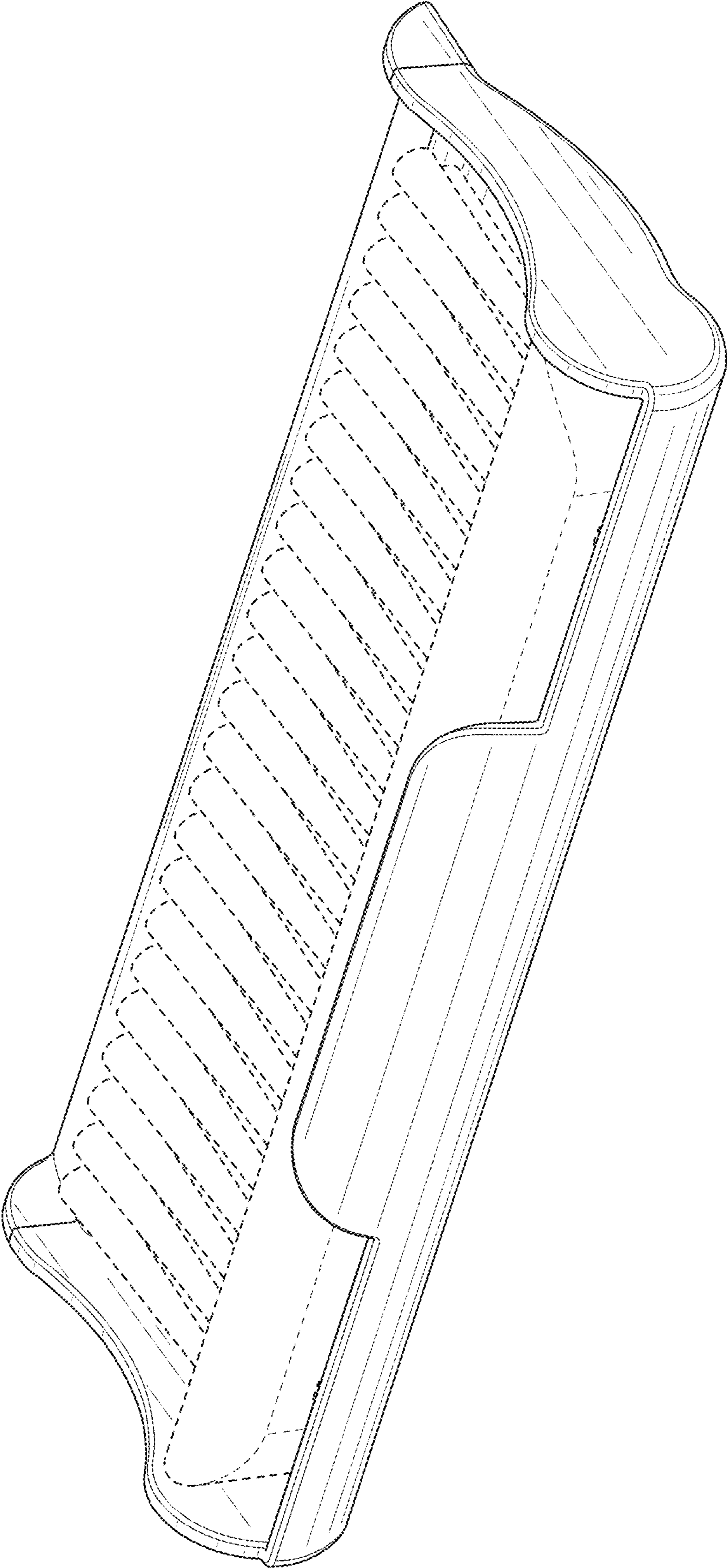


FIG. 1

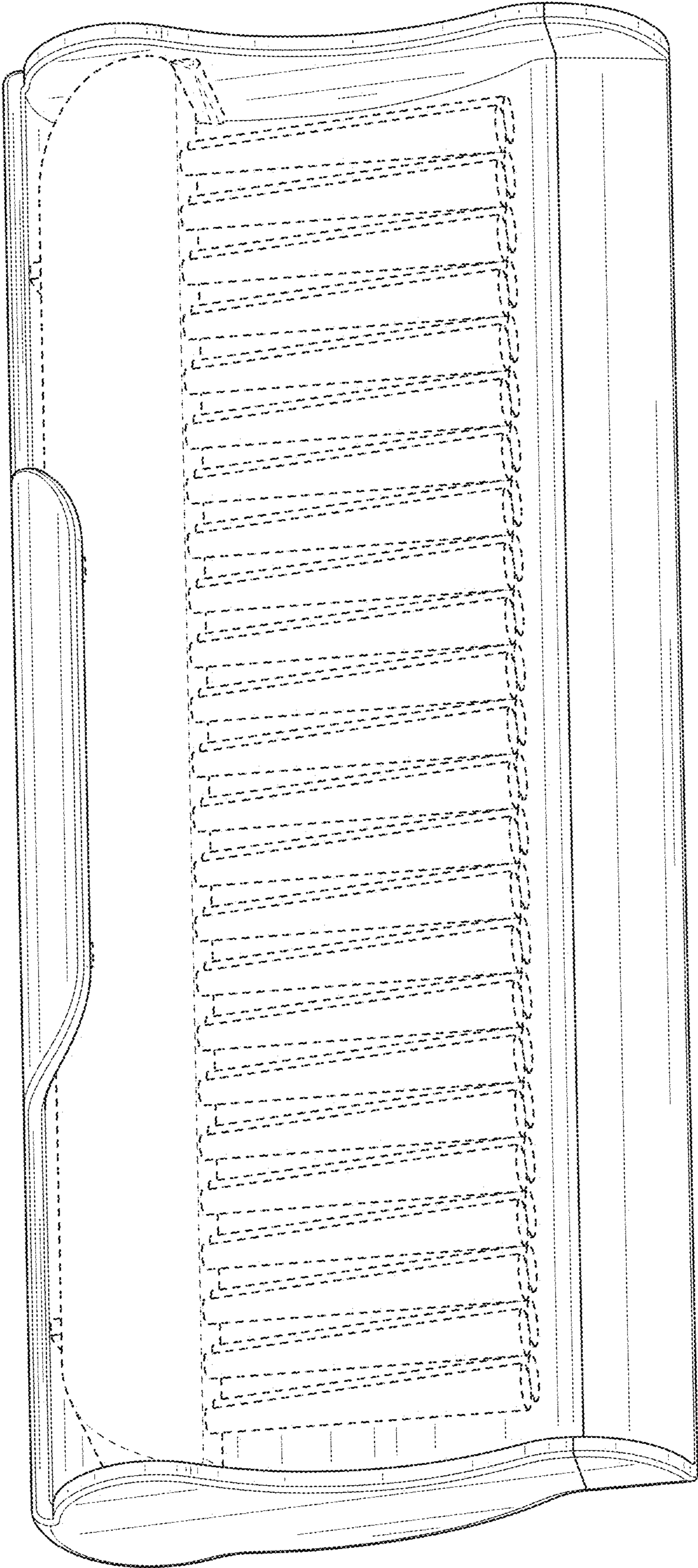


FIG. 2

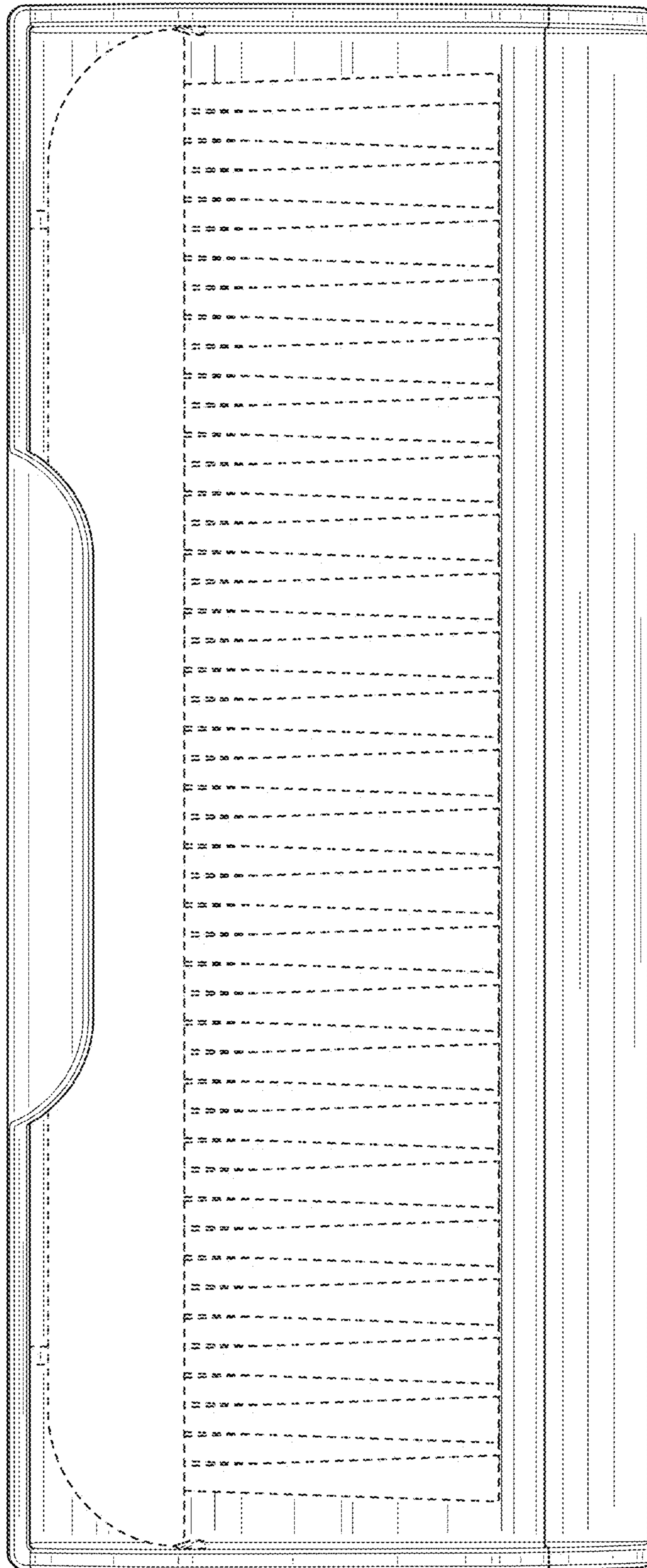


FIG. 3

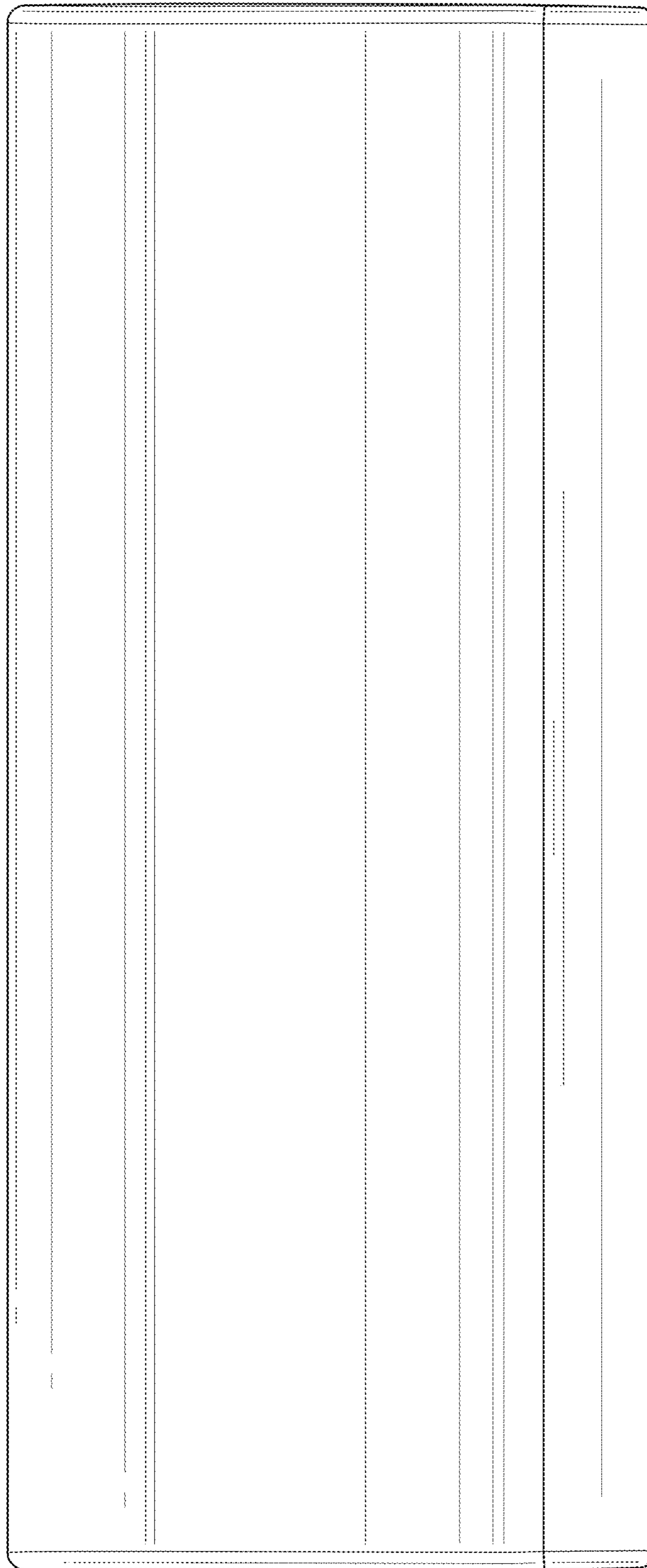


FIG. 4

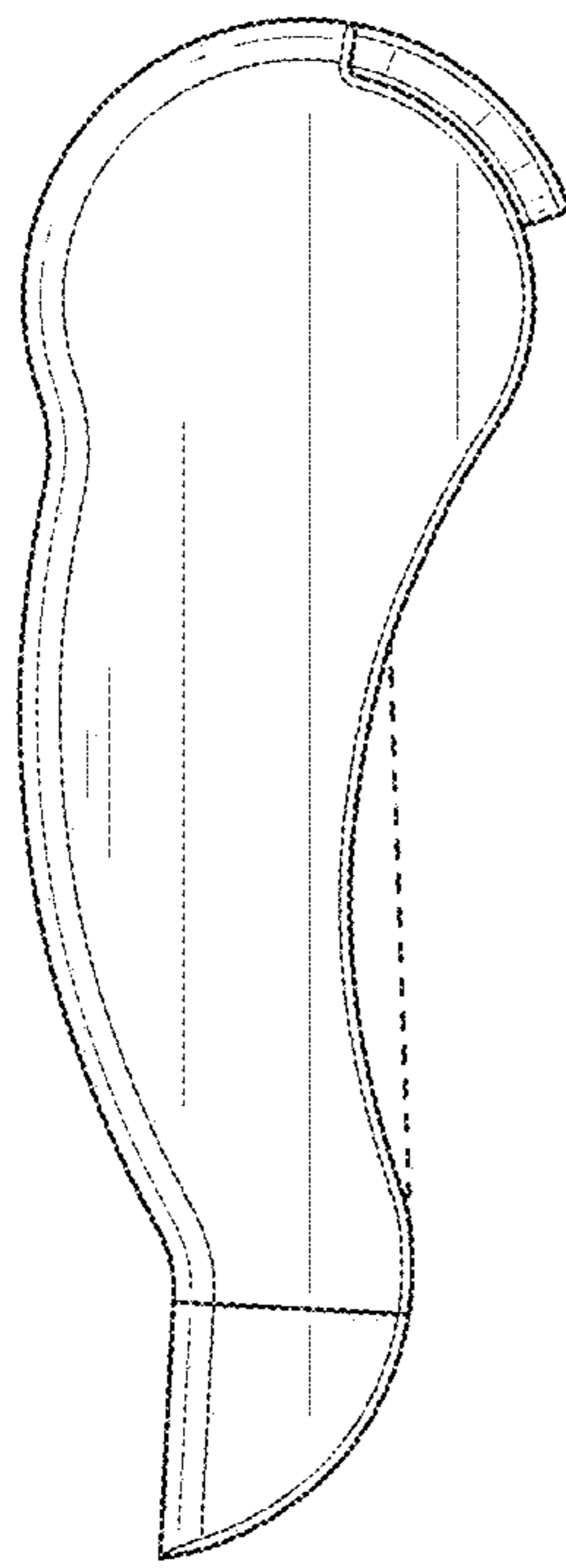


FIG. 5

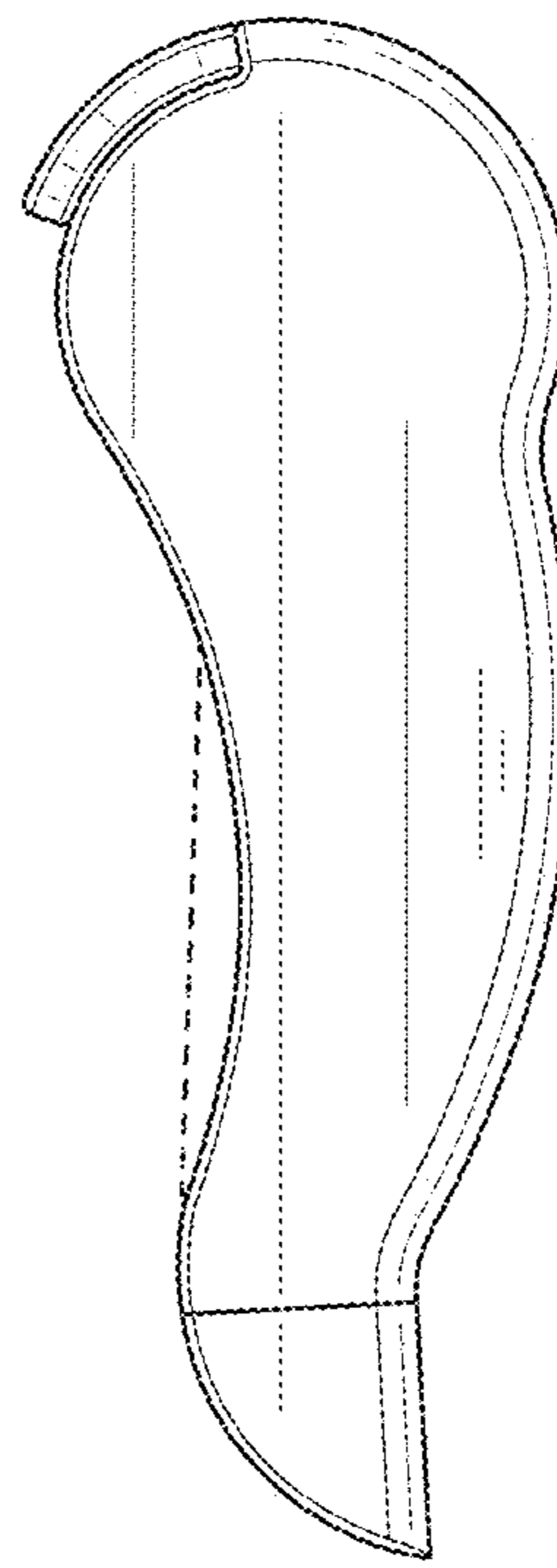


FIG. 6

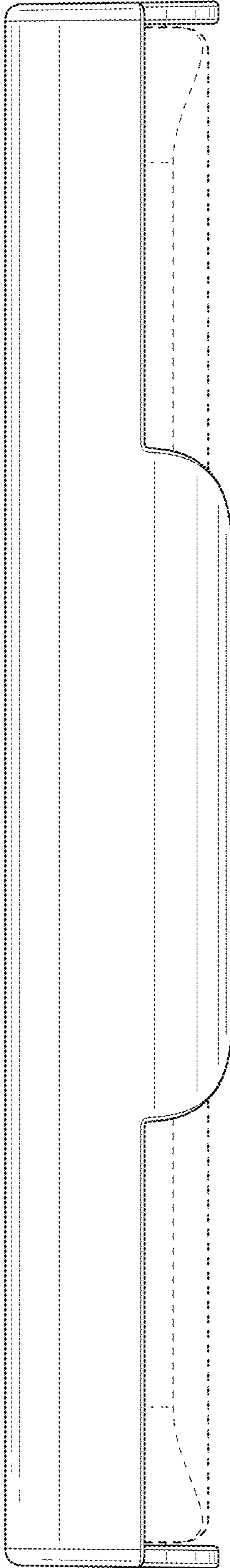


FIG. 7

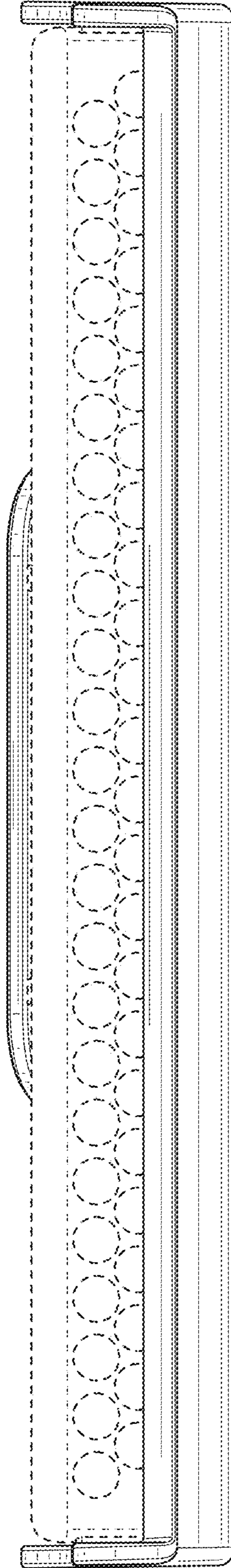


FIG. 8

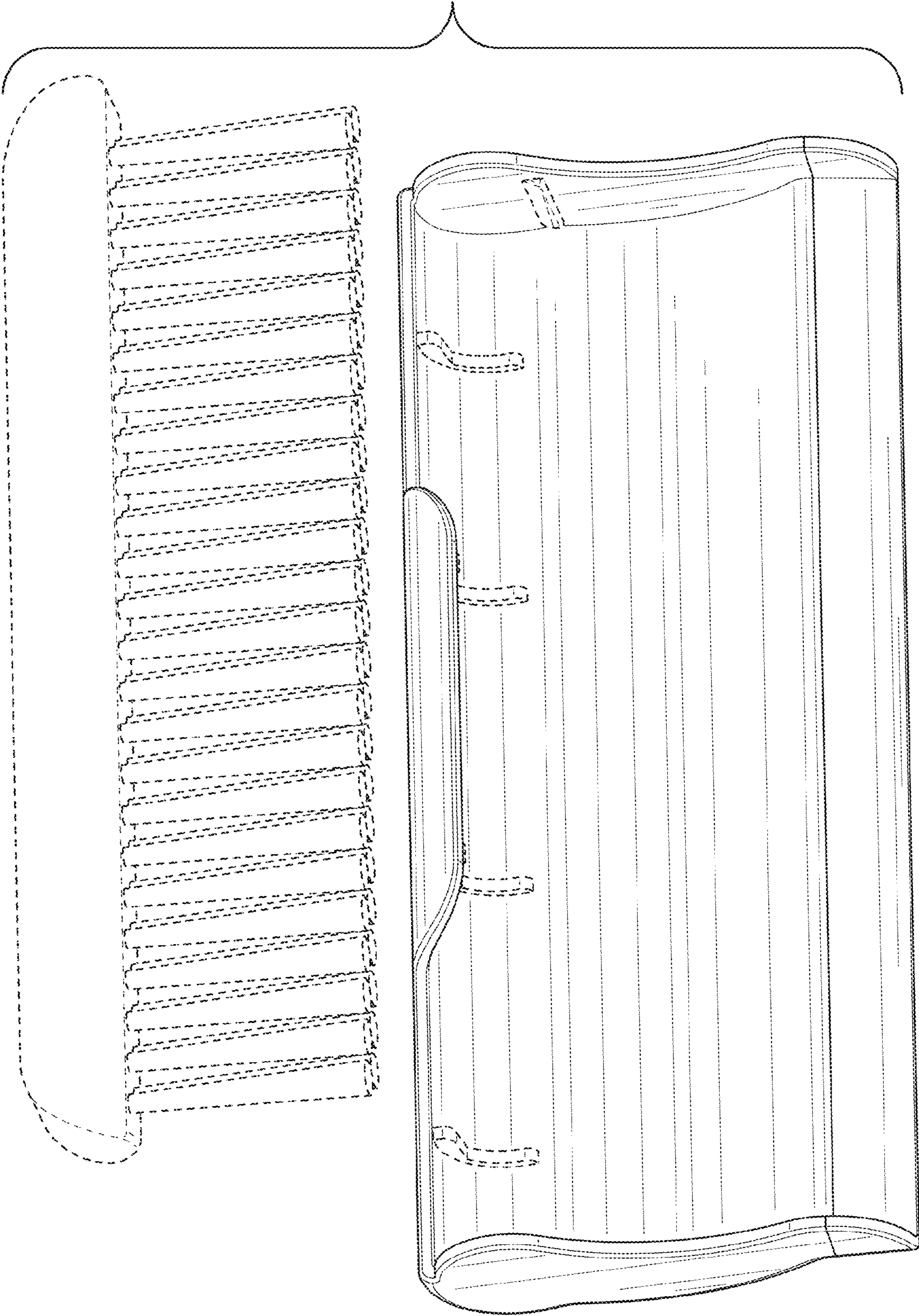


FIG. 9