



US00D924513S

(12) **United States Design Patent** (10) **Patent No.:** **US D924,513 S**
Owens et al. (45) **Date of Patent:** **** Jul. 6, 2021**

- (54) **DUST COLLECTION ASSEMBLY**
- (71) Applicant: **Rockler Companies, Inc.**, Medina, MN (US)
- (72) Inventors: **Jay Zachary Owens**, Minnetonka, MN (US); **Dan Wenning**, Minnetonka, MN (US)
- (73) Assignee: **Rockler Companies, Inc.**, Medina, MN (US)
- (**) Term: **15 Years**
- (21) Appl. No.: **29/706,714**
- (22) Filed: **Sep. 23, 2019**
- (51) **LOC (13) Cl.** **15-05**
- (52) **U.S. Cl.**
USPC **D32/33; D32/32**
- (58) **Field of Classification Search**
USPC D15/1-5, 148, 149; D32/21, 25, 31-34
CPC A47L 9/1683; B04C 5/185; B04C 5/24; Y10S 55/03
See application file for complete search history.

- D852,443 S * 6/2019 Martin D32/33
- D886,400 S * 6/2020 Miyawaki D32/33
- D896,456 S * 9/2020 Doucette, Jr. D32/32

OTHER PUBLICATIONS

“Rockler Dust Collector for Rockler Dovetail Jigs,” Rockler, Rockler Companies, Inc., (accessed at www.rockler.com/rockler-dust-collector-for-rockler-dovetail-jigs on Nov. 18, 2020), publicly available prior to Sep. 23, 2018.

“4” Mini Dust Hood,” Rockler, Rockler Companies, Inc., (accessed at www.rockler.com/mini-gulp-dust-hood on Nov. 18, 2020), publicly available prior to Sep. 23, 2018.

“Dust Right Lathe Dust Collection System,” Rockler, Rockler Companies, Inc., (accessed at www.rockler.com/dust-right-lathe-dust-collection-system on Nov. 18, 2020), publicly available prior to Sep. 23, 2018.

* cited by examiner

Primary Examiner — Michael C Stout
Assistant Examiner — Fritzgerald L Butac
 (74) *Attorney, Agent, or Firm* — James L. Young; Westman, Champlin & Koehler, P.A.

(57) **CLAIM**

The ornamental design for a dust collection assembly, as shown and described.

DESCRIPTION

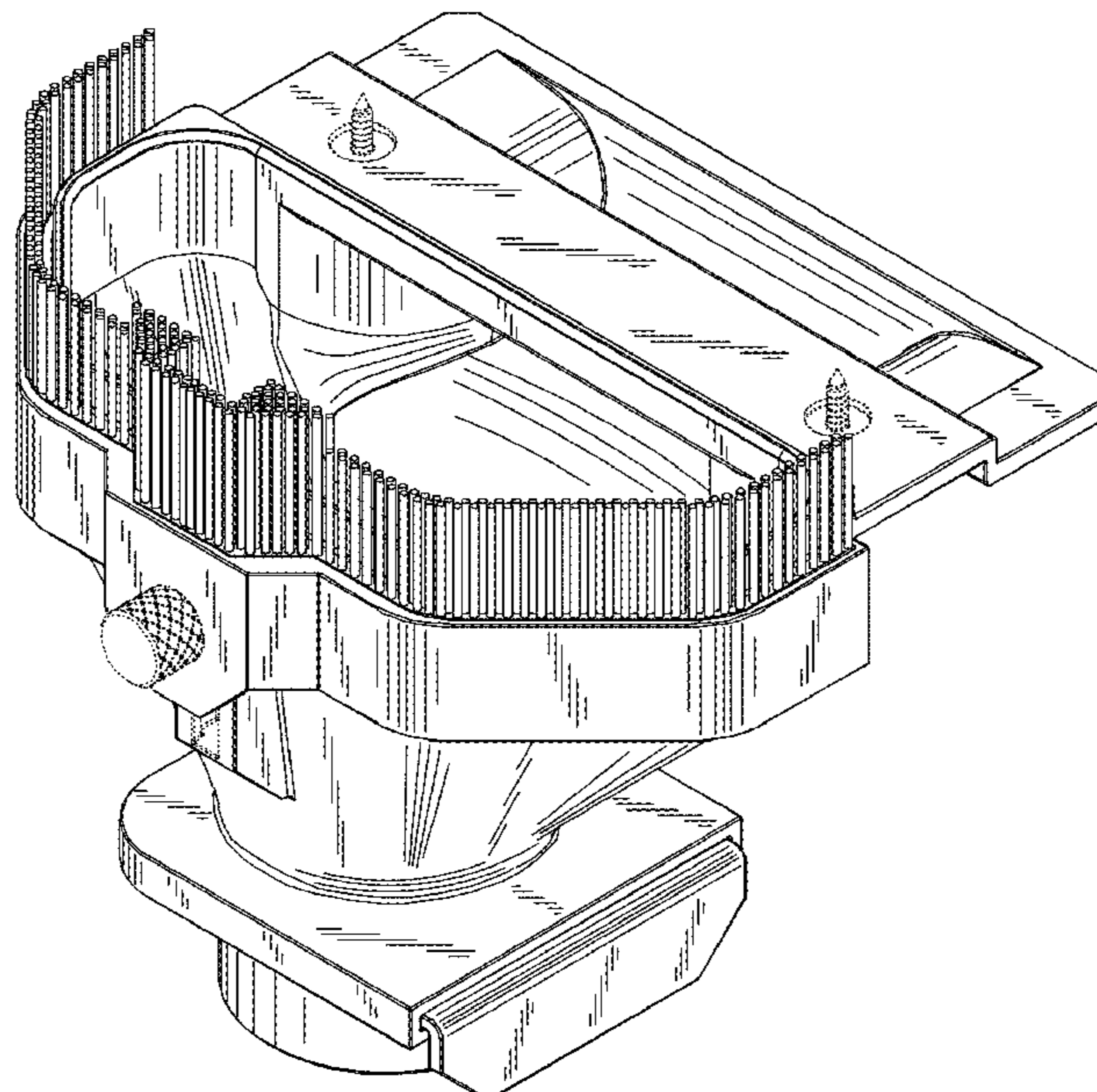
FIG. 1 is a perspective view of a dust collection assembly; FIG. 2 is a left side view thereof; FIG. 3 is a right side view thereof; FIG. 4 is a front view thereof; FIG. 5 is a back view thereof; FIG. 6 is a top view thereof; and, FIG. 7 is a bottom view thereof. The broken lines show portions of a dust collection assembly that form no part of the claimed design.

1 Claim, 7 Drawing Sheets

(56) **References Cited**

U.S. PATENT DOCUMENTS

- D519,696 S * 4/2006 Adams D32/33
- D520,201 S * 5/2006 Dyson D32/33
- D520,695 S * 5/2006 Dyson D32/33
- D565,261 S * 3/2008 Peace D32/33
- D612,116 S * 3/2010 Nicholas D32/33
- 7,896,041 B2 3/2011 Becker et al.
- 8,074,962 B1 12/2011 Krohmer et al.
- D744,241 S * 12/2015 Krohmer D4/130
- D793,638 S * 8/2017 LaBarbera D32/32
- D795,317 S * 8/2017 Wenning D15/138
- D806,965 S * 1/2018 Nam D32/23
- D842,615 S * 3/2019 Krohmer D4/133



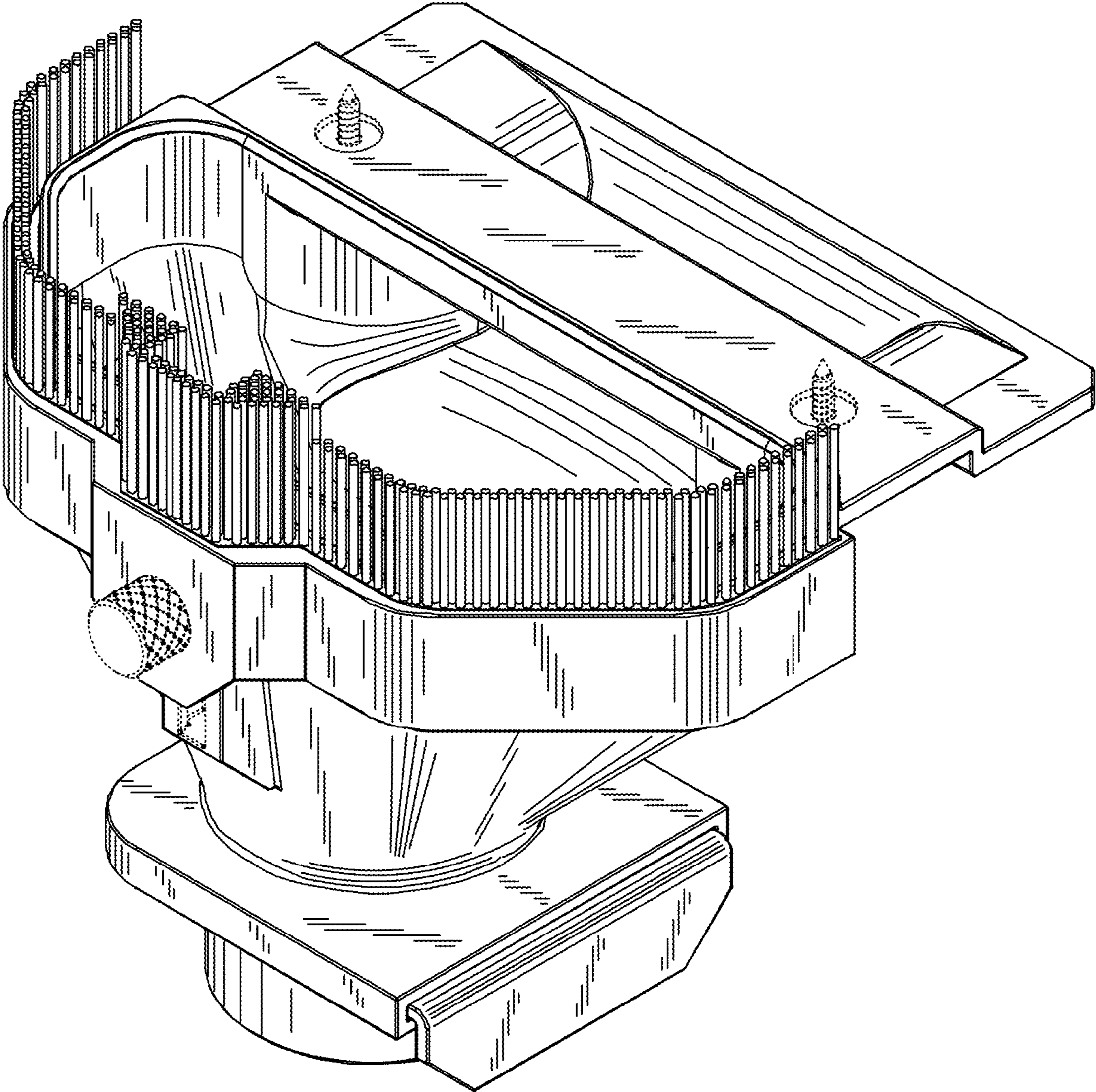


FIG. 1

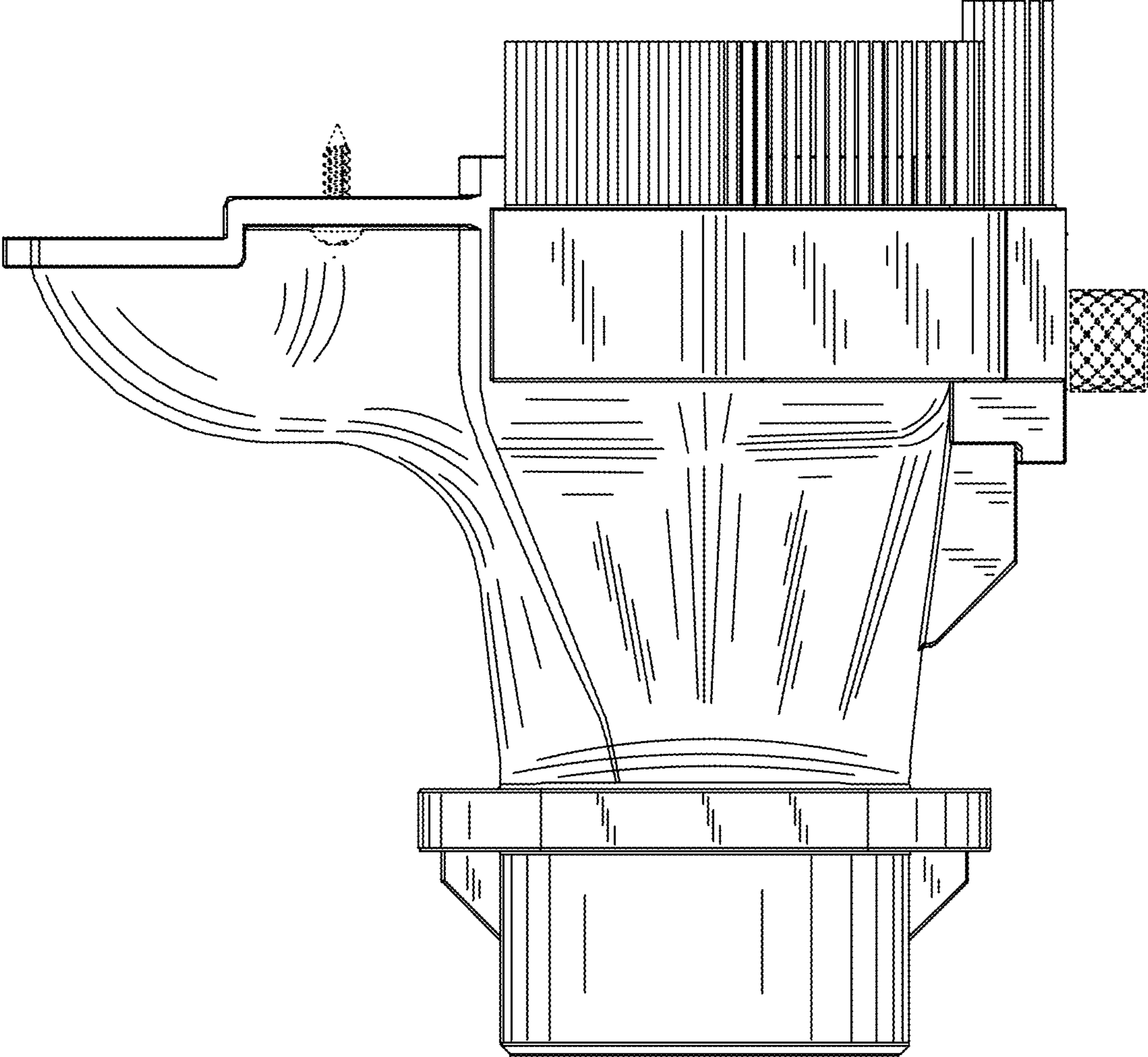


FIG. 2

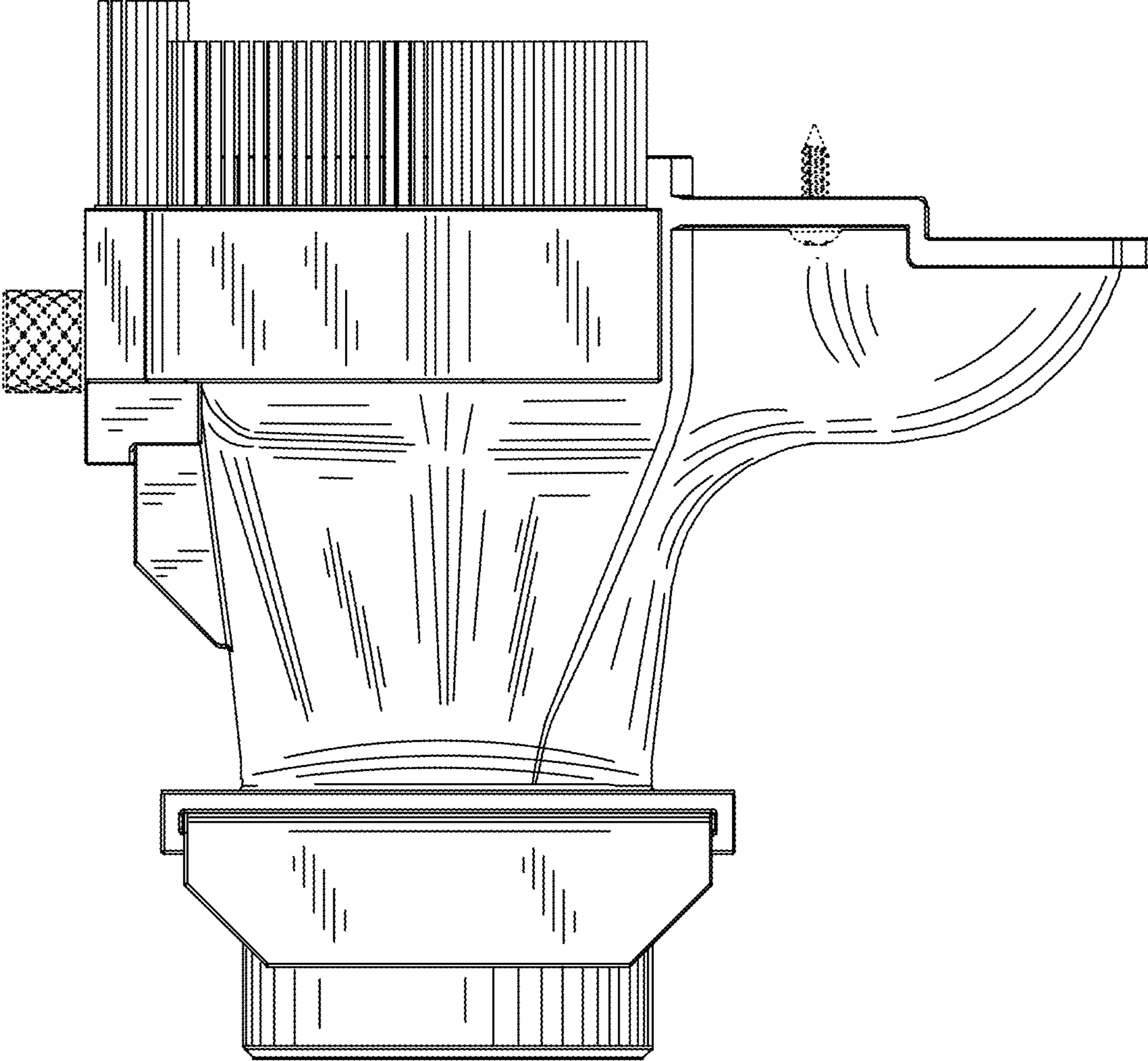


FIG. 3

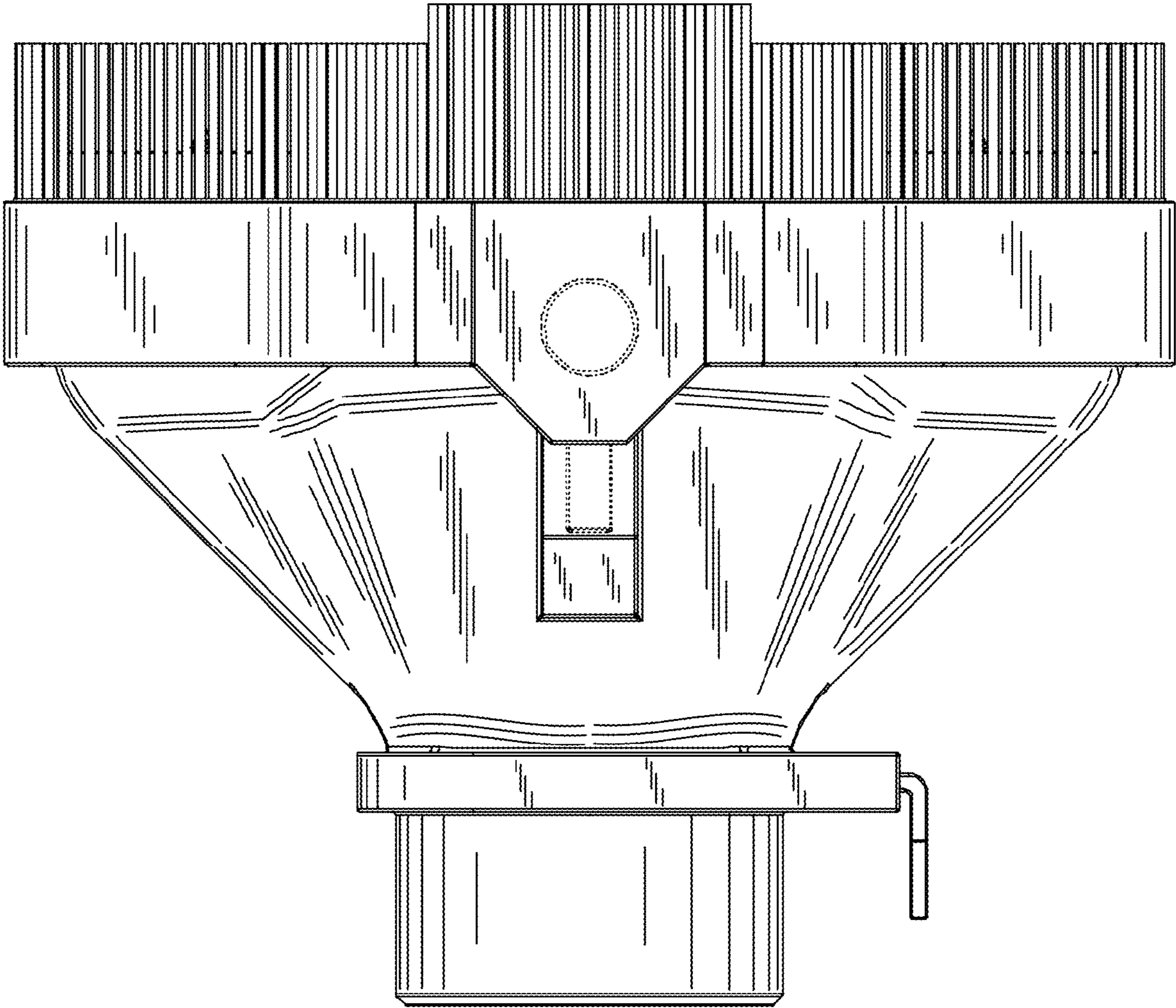


FIG. 4

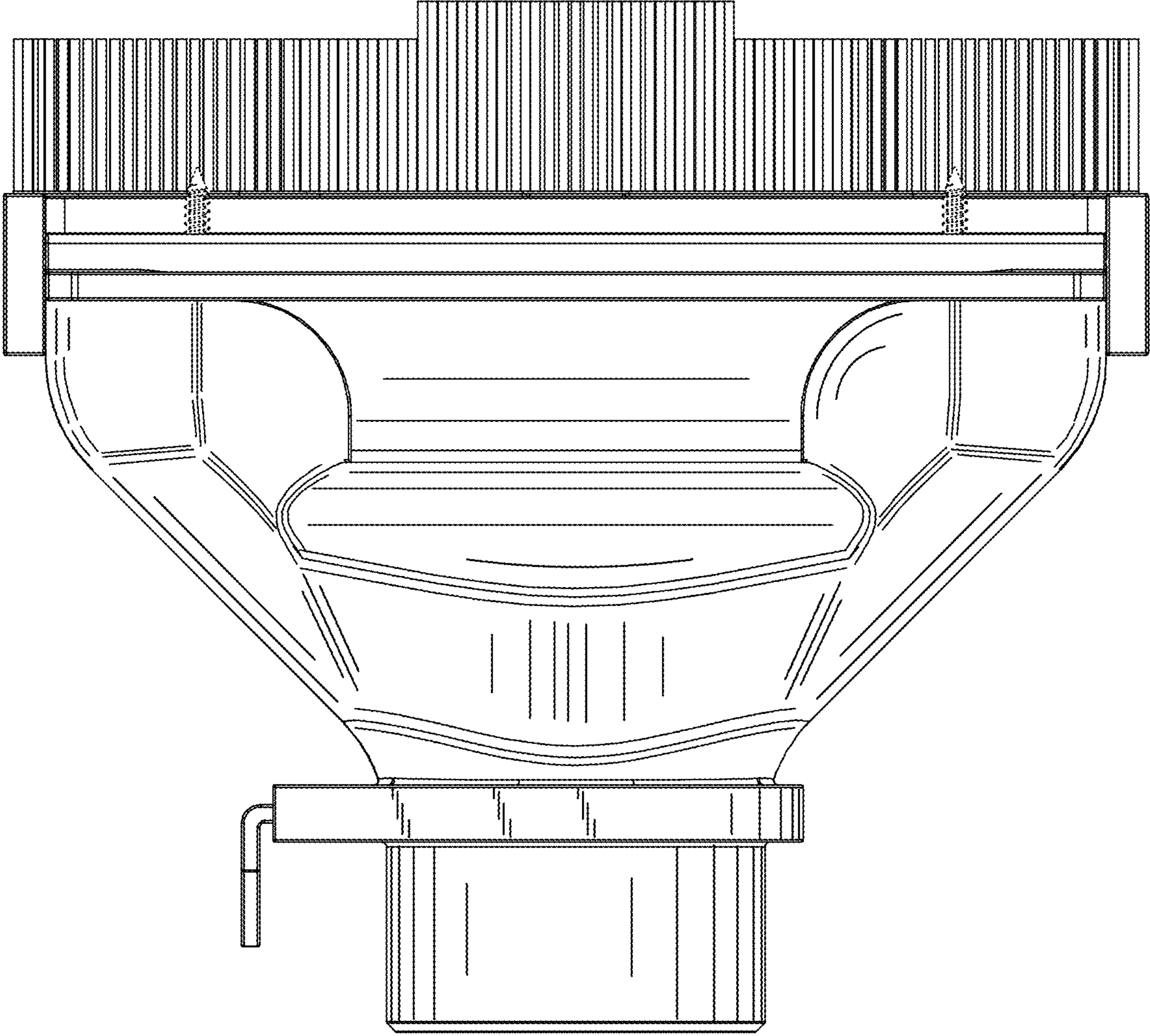


FIG. 5

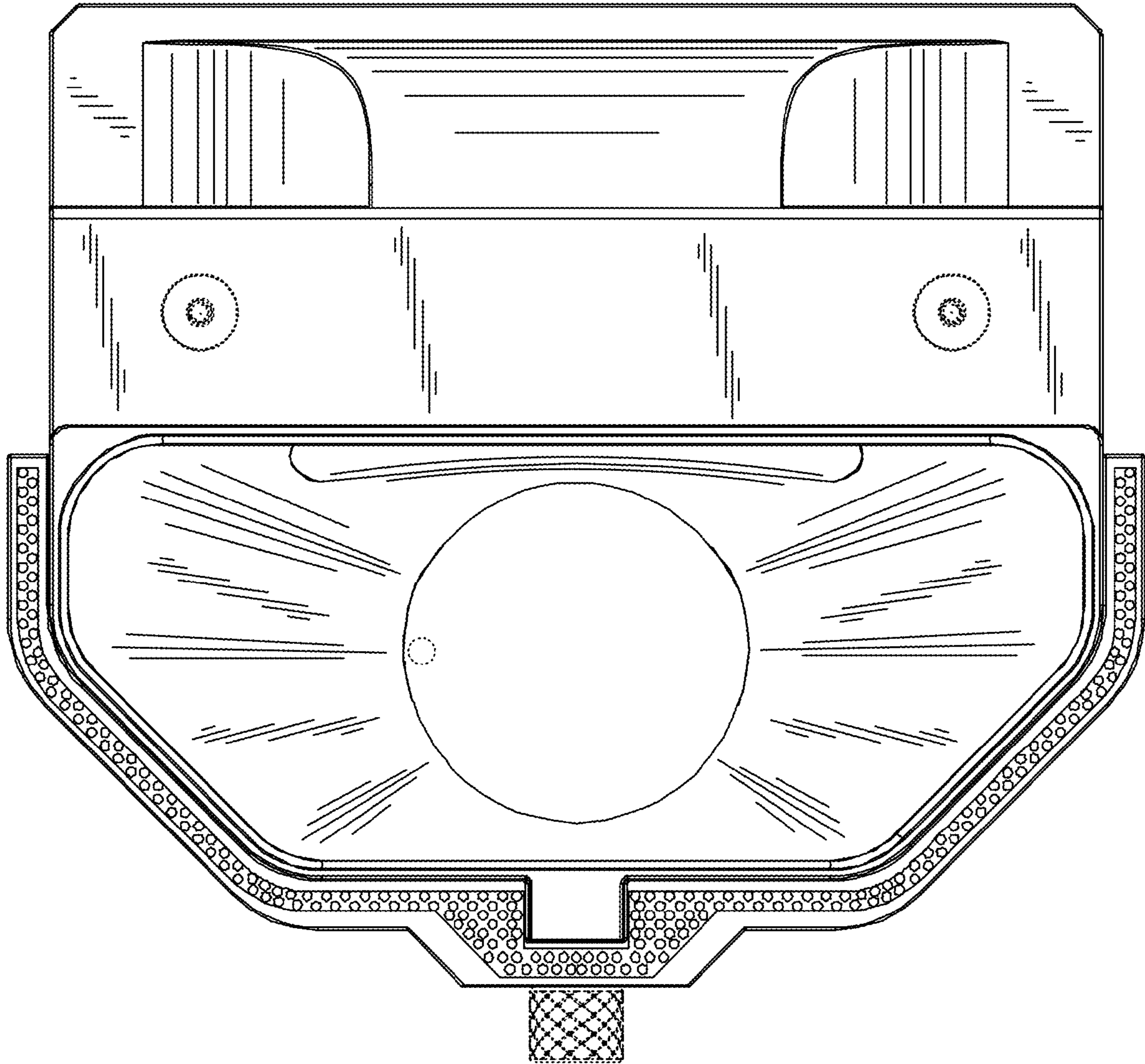


FIG. 6

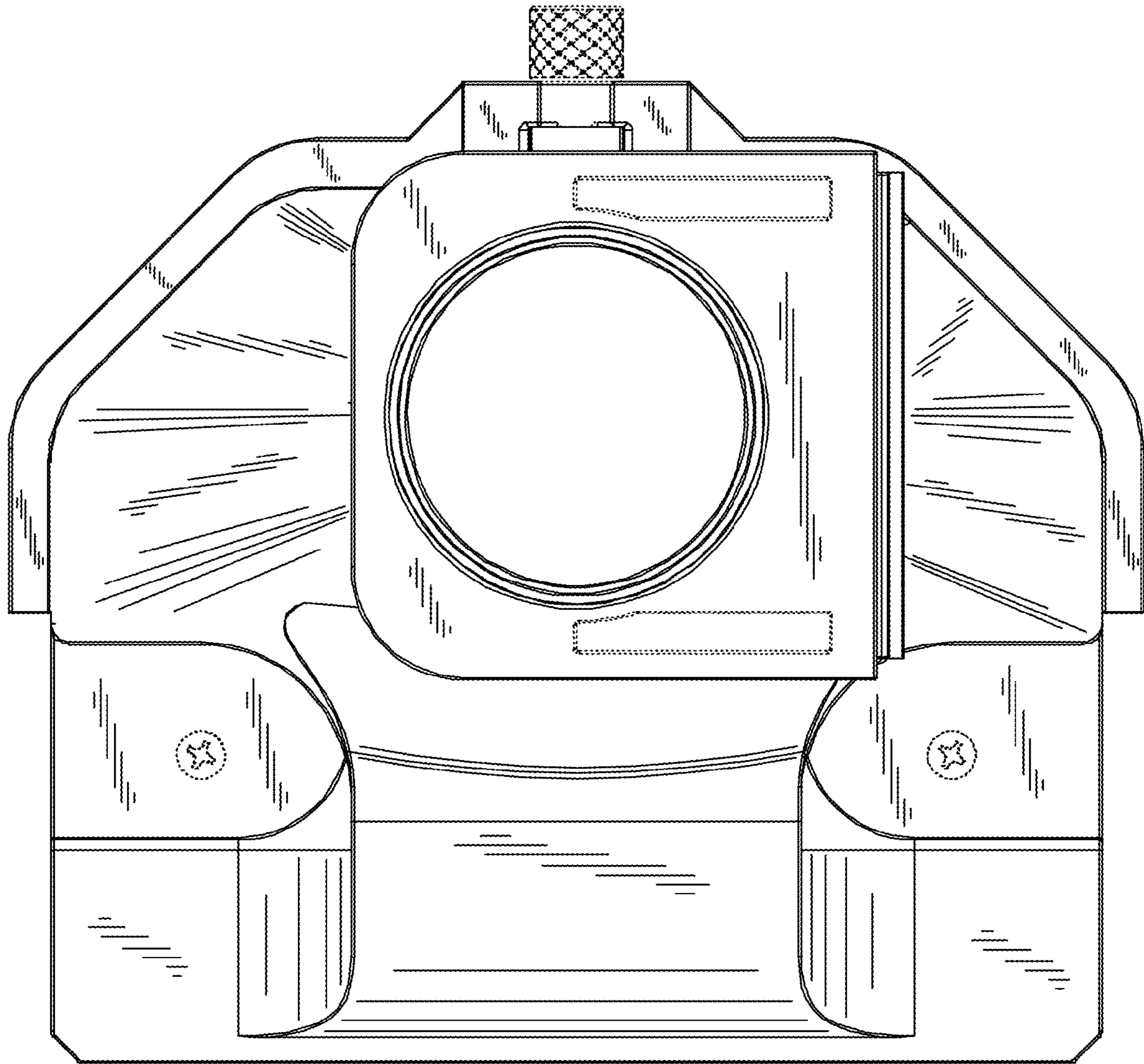


FIG. 7