



US00D924512S

(12) **United States Design Patent** (10) **Patent No.:** **US D924,512 S**
Nakayama et al. (45) **Date of Patent:** **** Jul. 6, 2021**

(54) **VACUUM SUCTION PAD**

(57) **CLAIM**

(71) Applicant: **SMC CORPORATION**, Tokyo (JP)

The ornamental design for a vacuum suction pad, as shown and described.

(72) Inventors: **Toru Nakayama**, Soka (JP); **Toru Sugiyama**, Abiko (JP); **Noriyuki Miyazaki**, Kashiwa (JP); **Masaru Saitoh**, Joso (JP); **Yukiya Goto**, Moriya (JP)

DESCRIPTION

(73) Assignee: **SMC CORPORATION**, Tokyo (JP)

(**) Term: **15 Years**

(21) Appl. No.: **29/675,208**

(22) Filed: **Dec. 28, 2018**

(30) **Foreign Application Priority Data**

Aug. 8, 2018 (CN) 201830435831.0

(51) **LOC (13) Cl.** **32-03**

(52) **U.S. Cl.**
USPC **D32/32**

(58) **Field of Classification Search**
USPC D32/31-33

(Continued)

(56) **References Cited**

U.S. PATENT DOCUMENTS

D689,251 S * 9/2013 Kent D32/32
D709,257 S * 7/2014 Kent D32/32

(Continued)

FOREIGN PATENT DOCUMENTS

JP 2001-030189 A 2/2001
JP 1254647 S 10/2005

(Continued)

Primary Examiner — Khawaja Anwar

(74) *Attorney, Agent, or Firm* — Birch, Stewart, Kolasch & Birch LLP

FIG. 1 is a front, top and left side perspective view of a vacuum suction pad showing a first embodiment of our new design;
FIG. 2 is a rear, bottom and right side perspective view thereof;
FIG. 3 is a front view thereof;
FIG. 4 is a rear view thereof;
FIG. 5 is a top plan view thereof;
FIG. 6 is a bottom plan view thereof;
FIG. 7 is a left side view thereof;
FIG. 8 is a right side view thereof;
FIG. 9 is a front, top and left side perspective view of a vacuum suction pad showing a second embodiment of our new design;
FIG. 10 is a rear, bottom and right side perspective view of FIG. 9;
FIG. 11 is a front view of FIG. 9;
FIG. 12 is a rear view of FIG. 9;
FIG. 13 is a top plan view of FIG. 9;
FIG. 14 is a bottom plan view of FIG. 9;
FIG. 15 is a left side view of FIG. 9;
FIG. 16 is a right side view of FIG. 9;
FIG. 17 is a front, top and left side perspective view of a vacuum suction pad showing a third embodiment of our new design;
FIG. 18 is a rear, bottom and right side perspective view of FIG. 17;
FIG. 19 is a front view of FIG. 17;
FIG. 20 is a rear view of FIG. 17;
FIG. 21 is a top plan view of FIG. 17;
FIG. 22 is a bottom plan view of FIG. 17;
FIG. 23 is a left side view of FIG. 17;
FIG. 24 is a right side view of FIG. 17;
FIG. 25 is a front, top and left side perspective view of a vacuum suction pad showing a fourth embodiment of our new design;

(Continued)

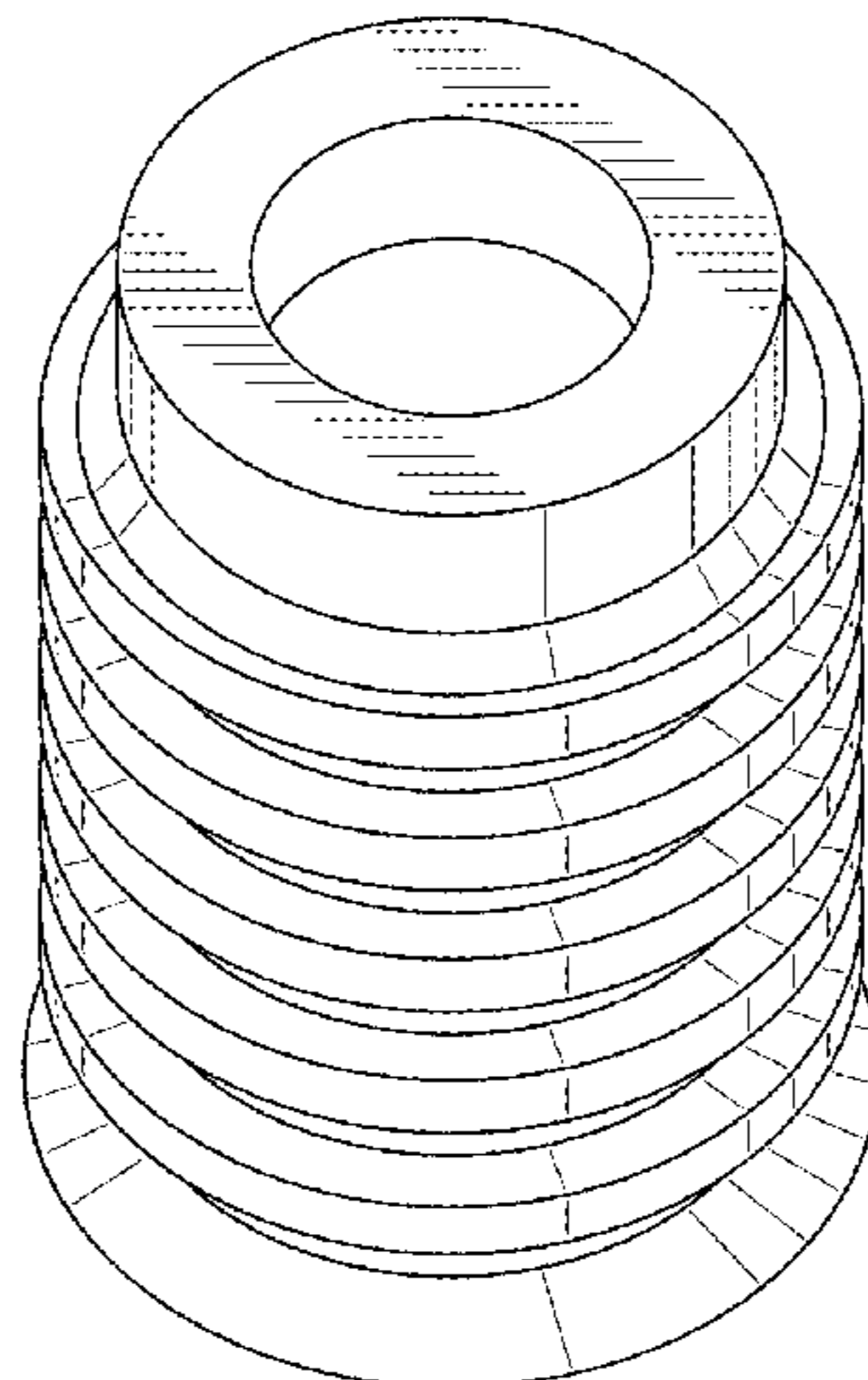


FIG. 26 is a rear, bottom and right side perspective view of FIG. 25;
 FIG. 27 is a front view of FIG. 25;
 FIG. 28 is a rear view of FIG. 25;
 FIG. 29 is a top plan view of FIG. 25;
 FIG. 30 is a bottom plan view of FIG. 25;
 FIG. 31 is a left side view of FIG. 25;
 FIG. 32 is a right side view of FIG. 25;
 FIG. 33 is a front, top and left side perspective view of a vacuum suction pad showing a fifth embodiment of our new design;
 FIG. 34 is a rear, bottom and right side perspective view of FIG. 33;
 FIG. 35 is a front view of FIG. 33;
 FIG. 36 is a rear view of FIG. 33;
 FIG. 37 is a top plan view of FIG. 33;
 FIG. 38 is a bottom plan view of FIG. 33;
 FIG. 39 is a left side view of FIG. 33;
 FIG. 40 is a right side view of FIG. 33;
 FIG. 41 is a front, top and left side perspective view of a vacuum suction pad showing a sixth embodiment of our new design;
 FIG. 42 is a rear, bottom and right side perspective view of FIG. 41;
 FIG. 43 is a front view of FIG. 41;
 FIG. 44 is a rear view of FIG. 41;
 FIG. 45 is a top plan view of FIG. 41;
 FIG. 46 is a bottom plan view of FIG. 41;

FIG. 47 is a left side view of FIG. 41; and,
 FIG. 48 is a right side view of FIG. 41.

1 Claim, 48 Drawing Sheets

(58) **Field of Classification Search**

CPC .. A47L 11/24; A47L 11/4005; A47L 11/4066;
 A47L 2201/00; A47L 9/009

See application file for complete search history.

(56)

References Cited

U.S. PATENT DOCUMENTS

D711,608	S	*	8/2014	O'Shaughnessy	D32/32
D717,506	S	*	11/2014	Jaeyoul	D32/31
D751,357	S		3/2016	Eisele		
D759,921	S	*	6/2016	Shields	D32/32
D812,331	S	*	3/2018	LaBarbera	D32/31
D874,079	S	*	1/2020	Ebrahimi Afrouzi	D32/21
D890,457	S	*	7/2020	Pearce	D32/21
D913,255	S	*	3/2021	Kim	D13/180

FOREIGN PATENT DOCUMENTS

JP		1256608	S		11/2005
JP		1577894	S		6/2017
JP		1577895	S		6/2017
JP		1609645	S		7/2018

* cited by examiner

FIG. 1

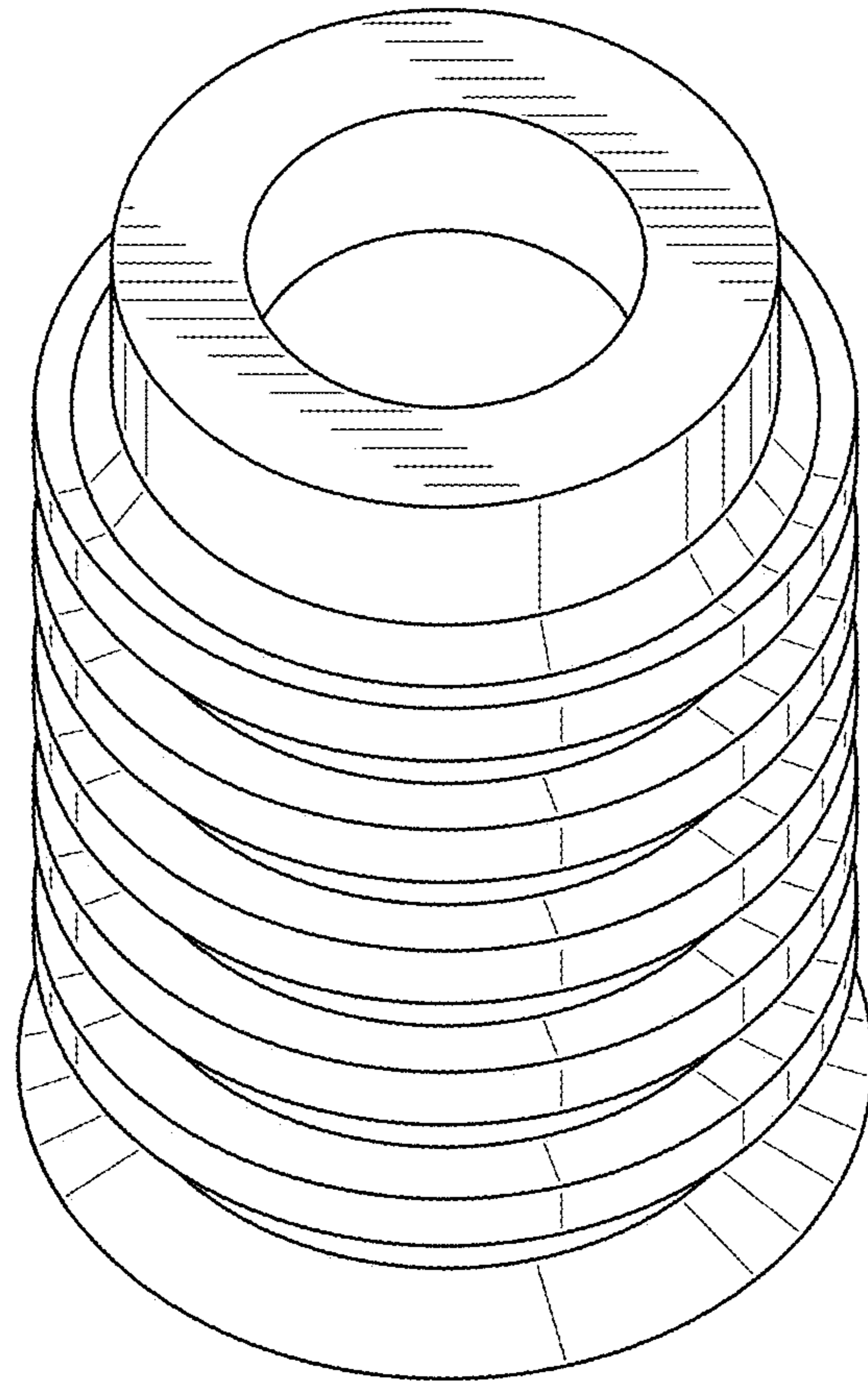


FIG. 2

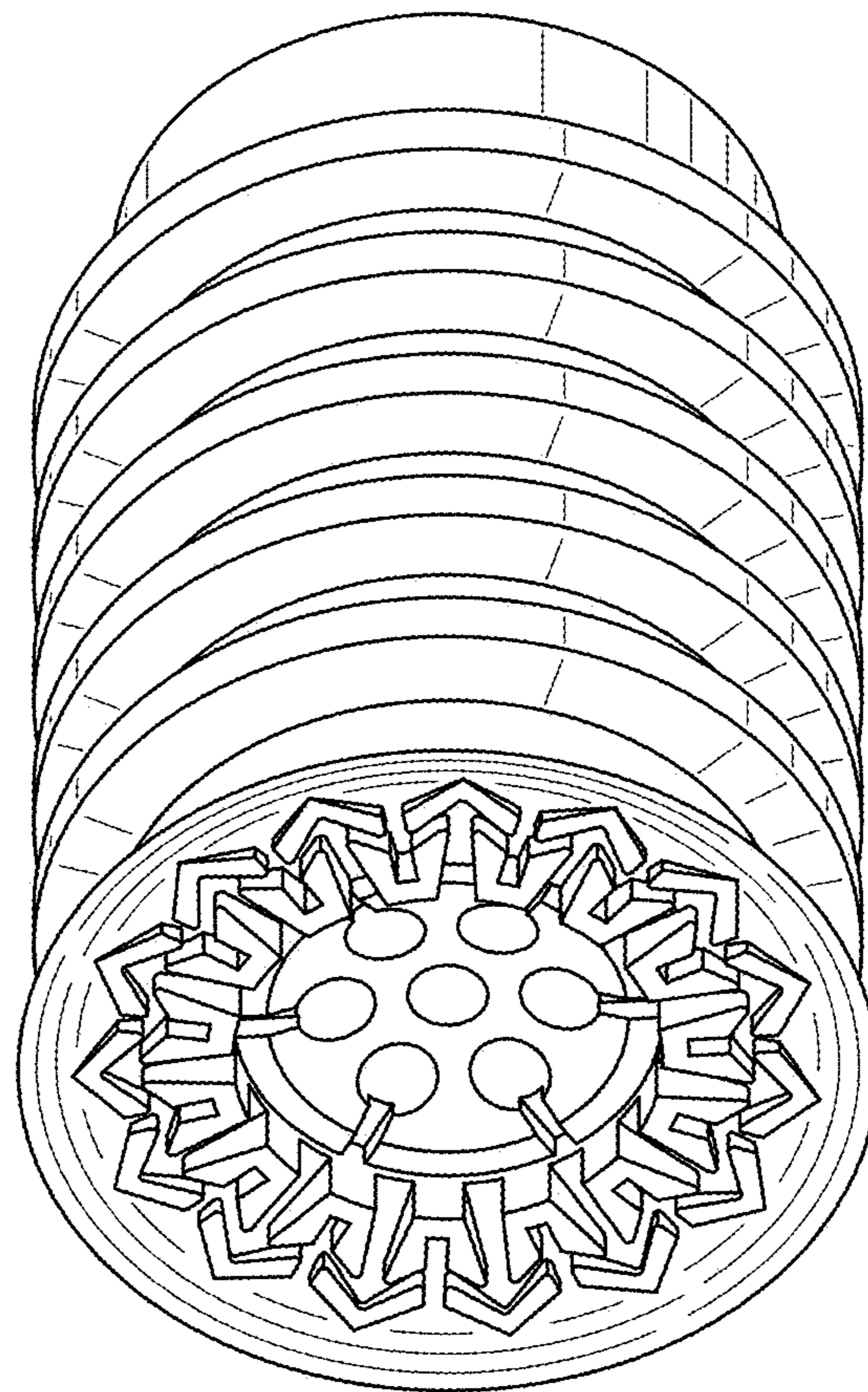


FIG. 3

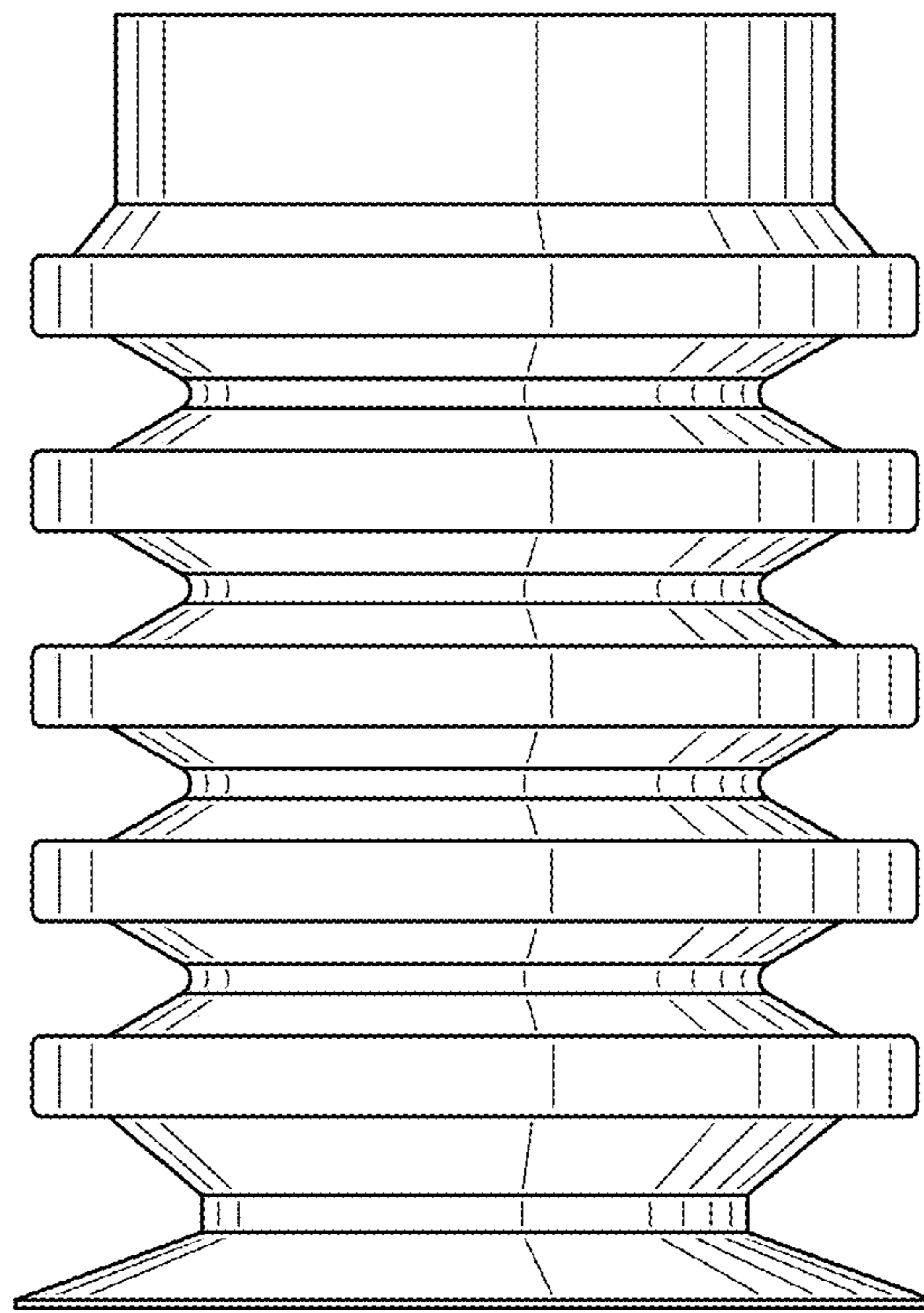


FIG. 4

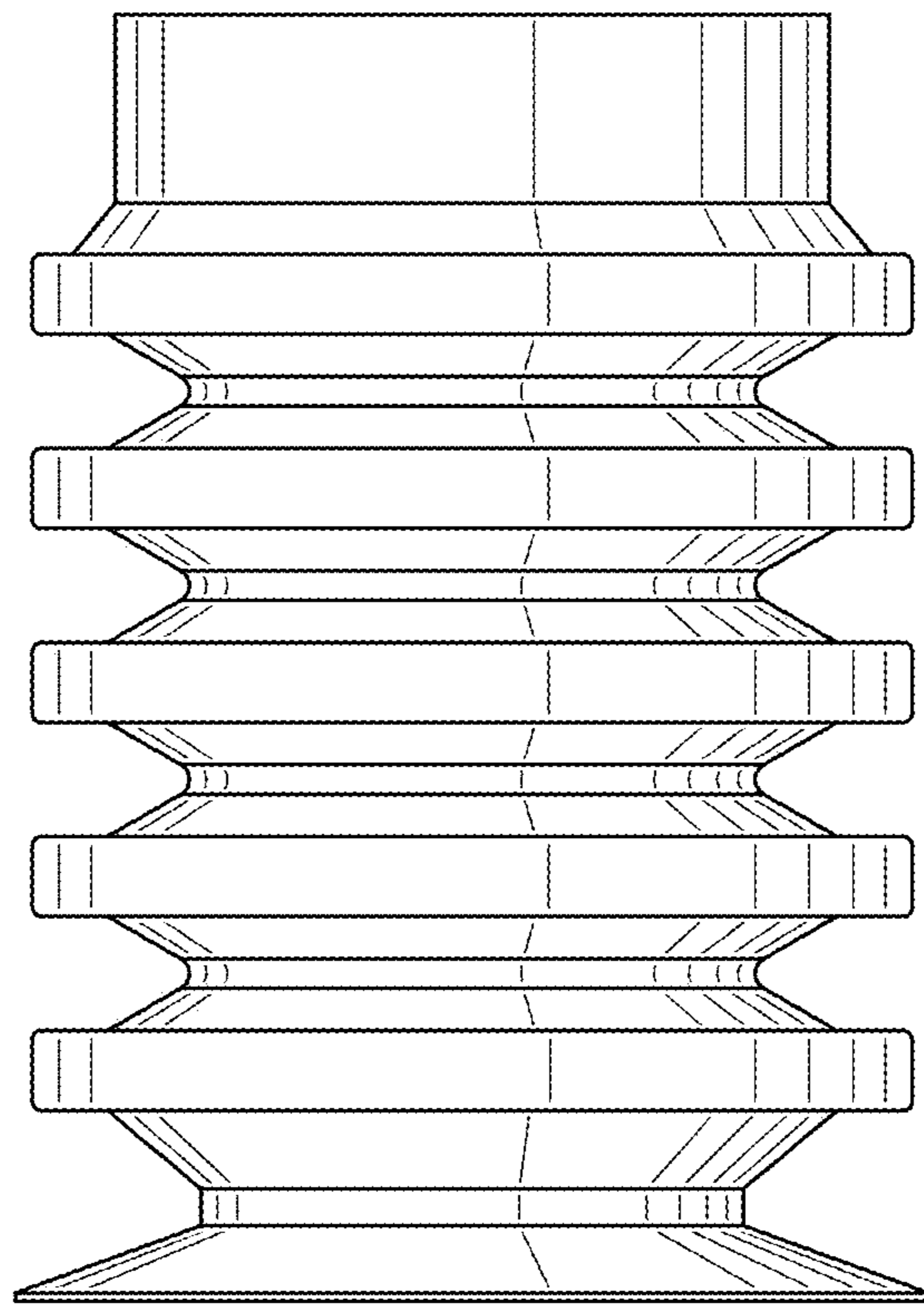


FIG. 5

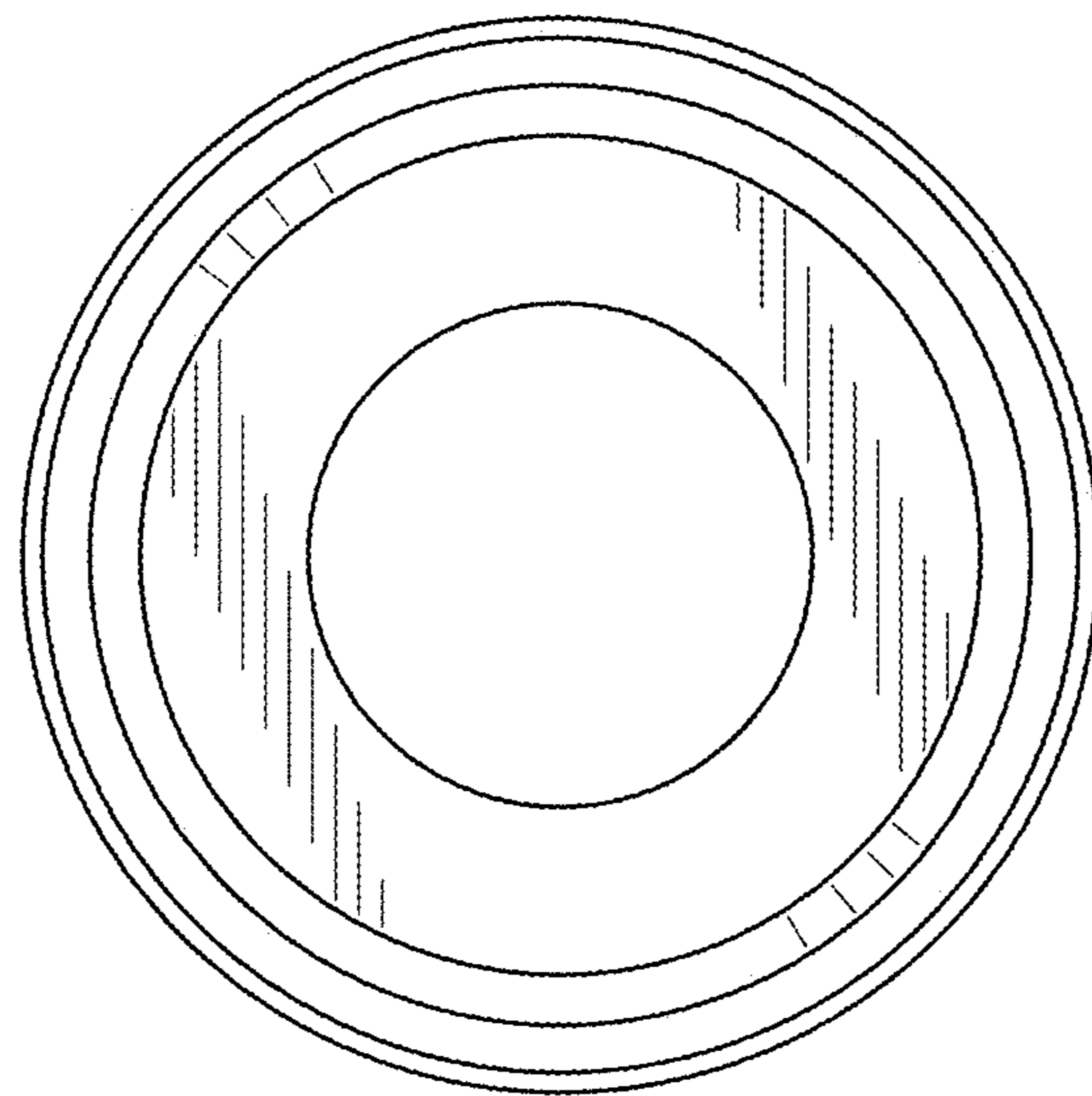


FIG. 6

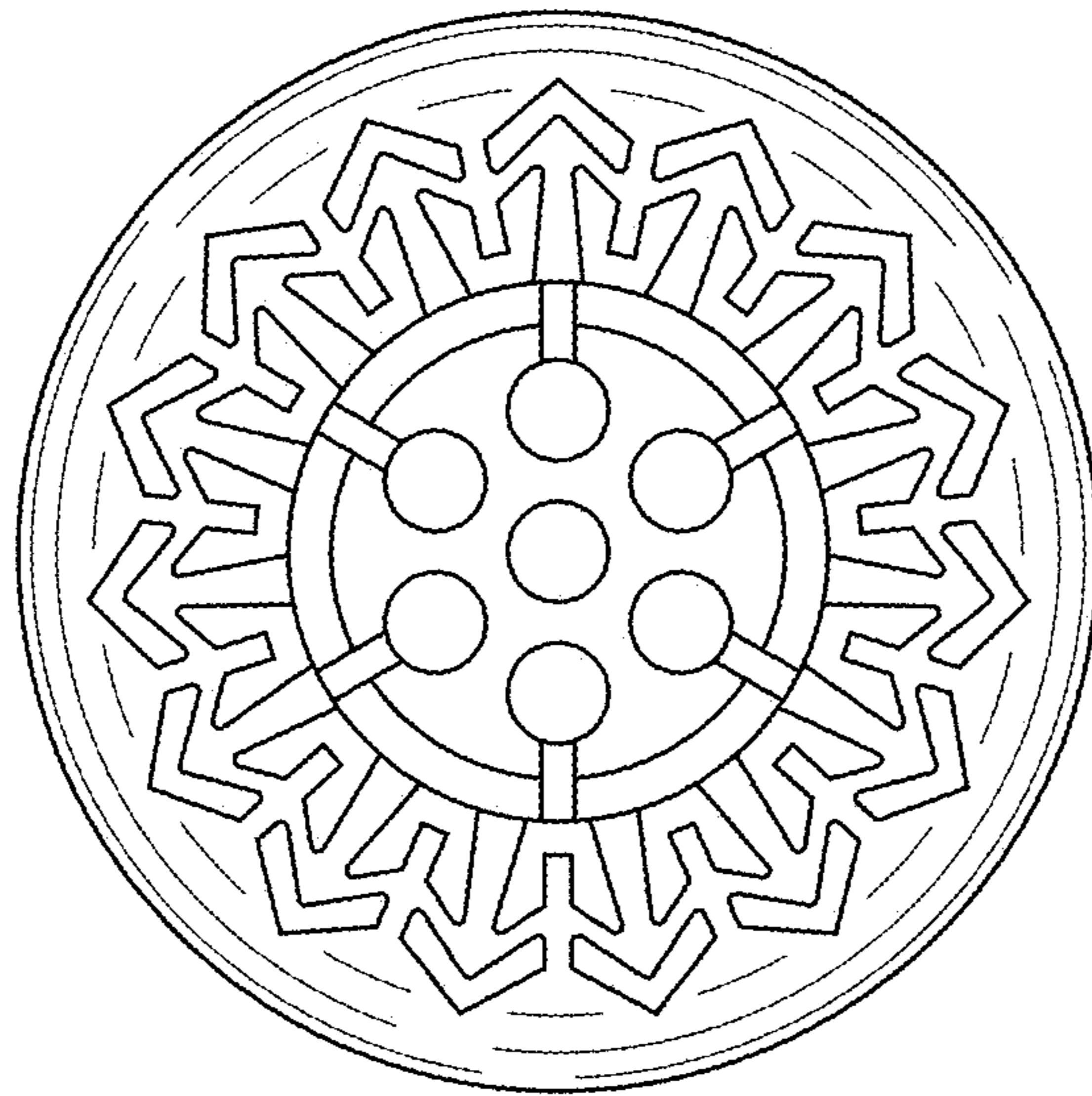


FIG. 7

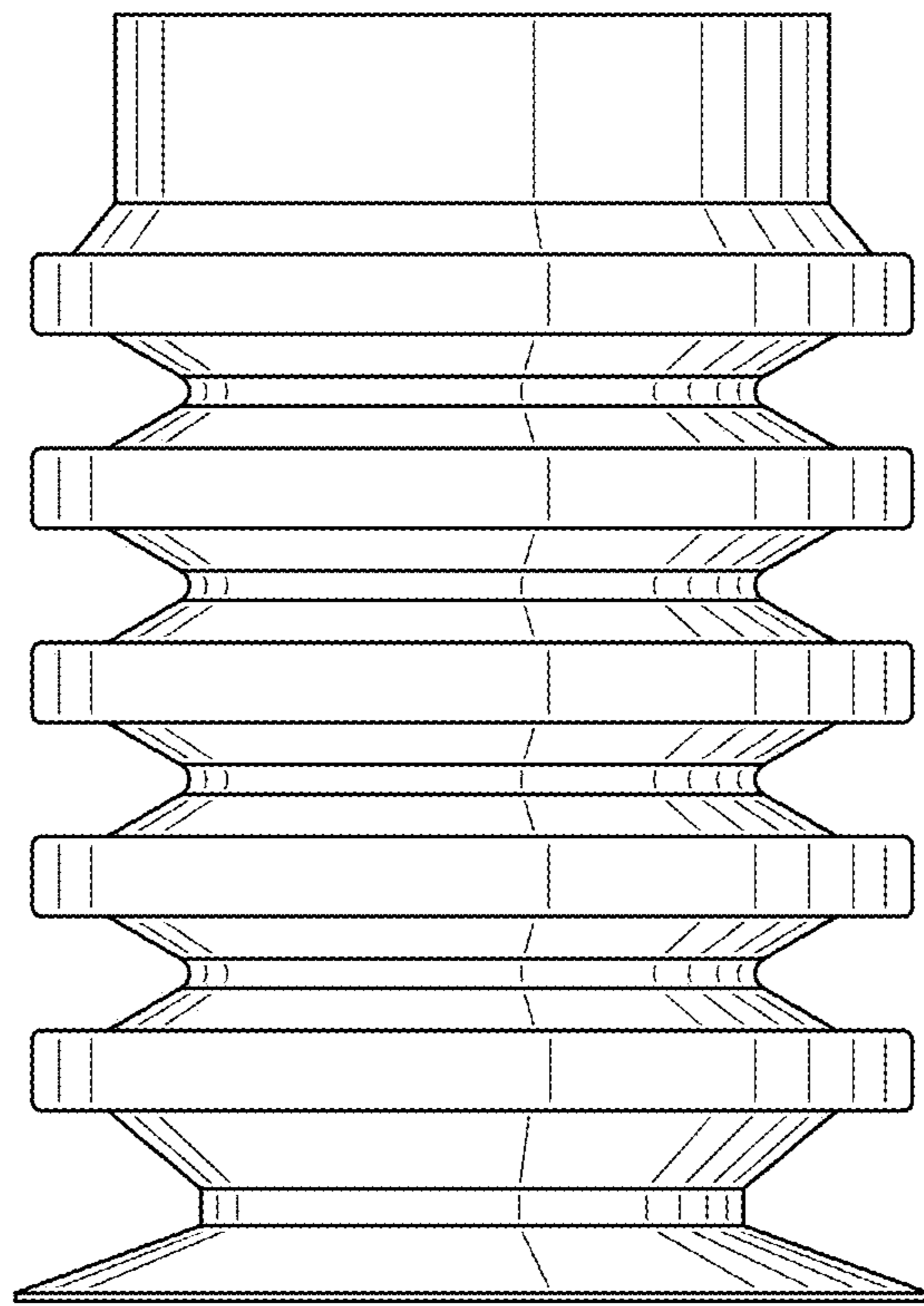


FIG. 8

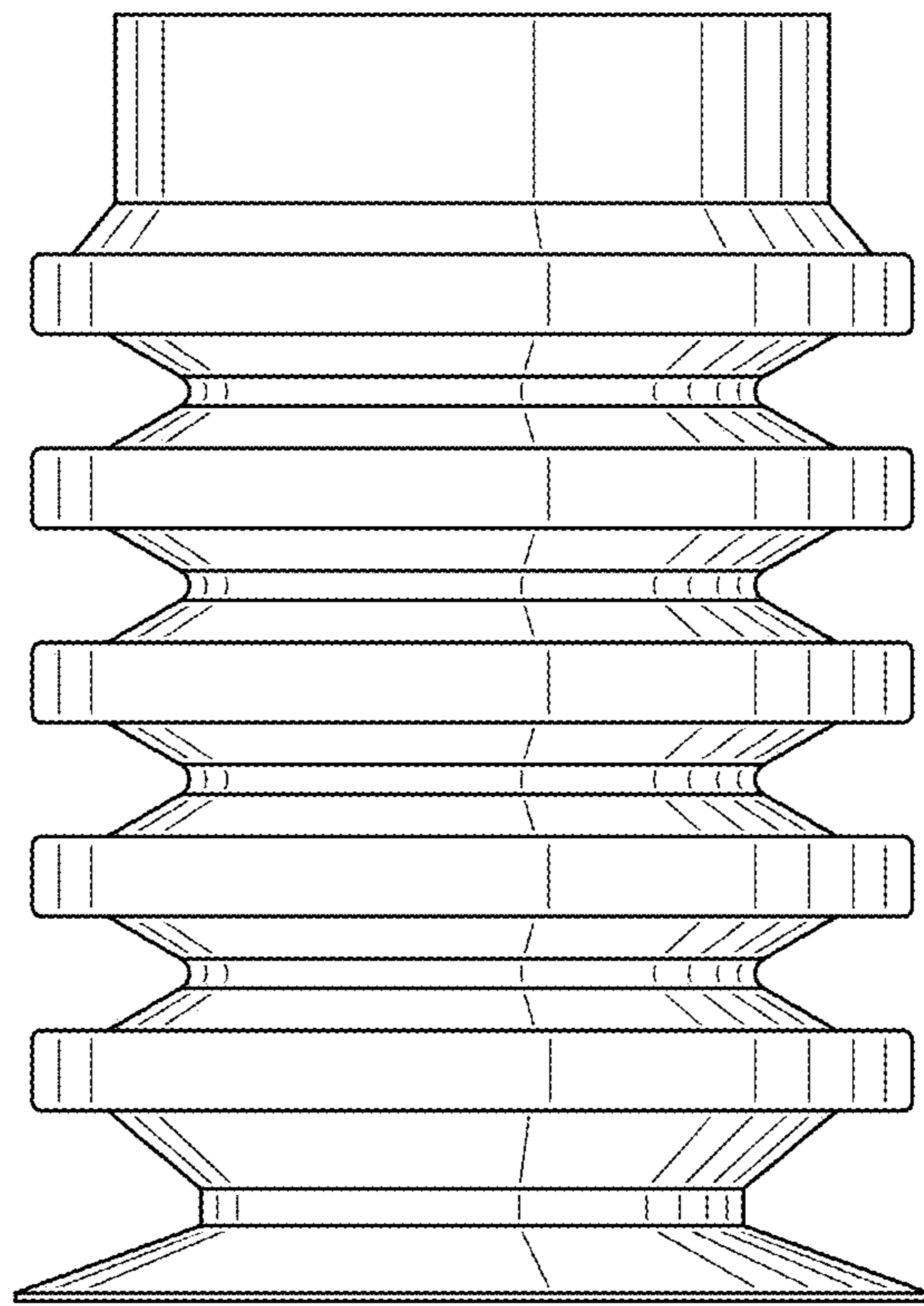


FIG. 9

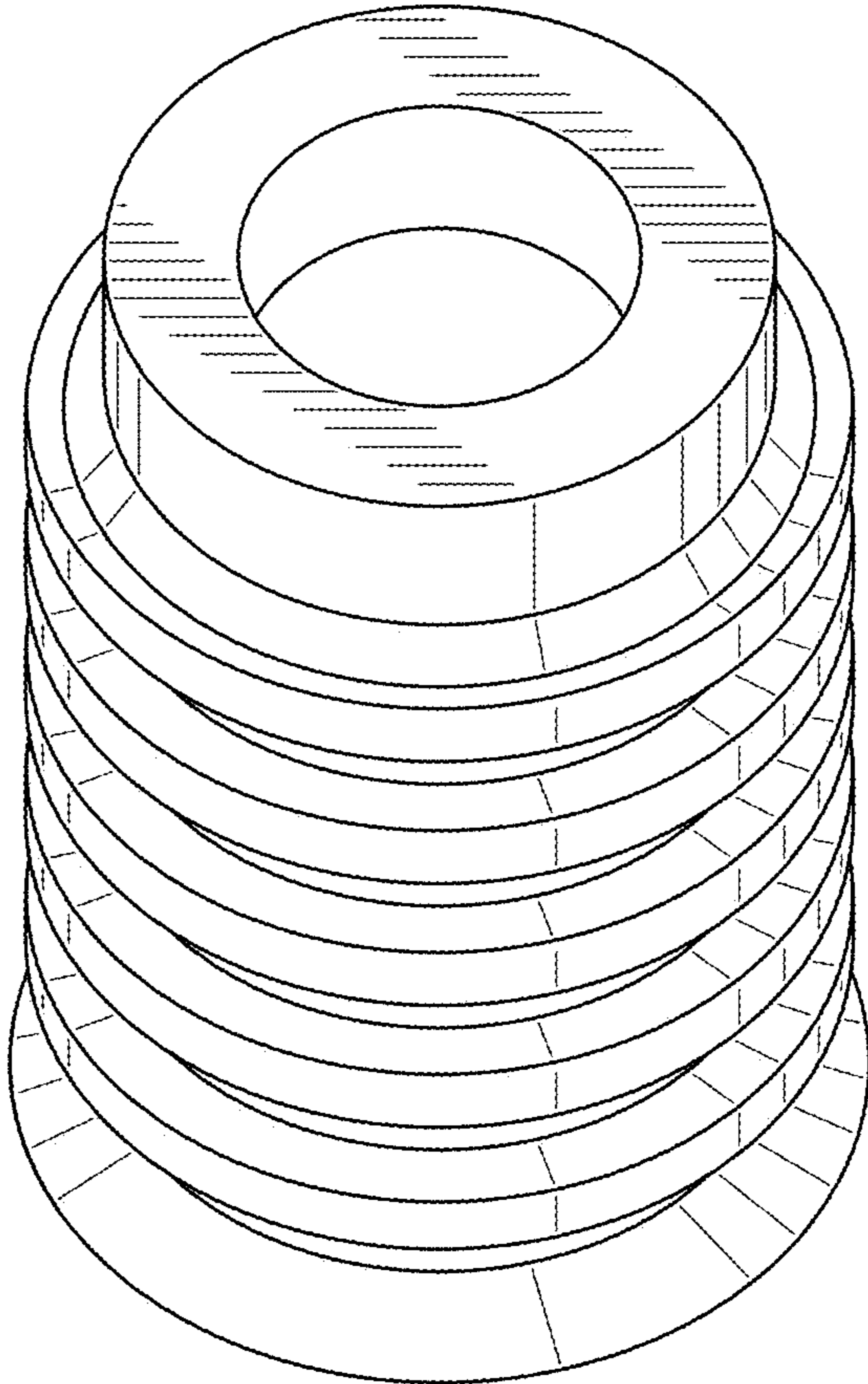


FIG. 10

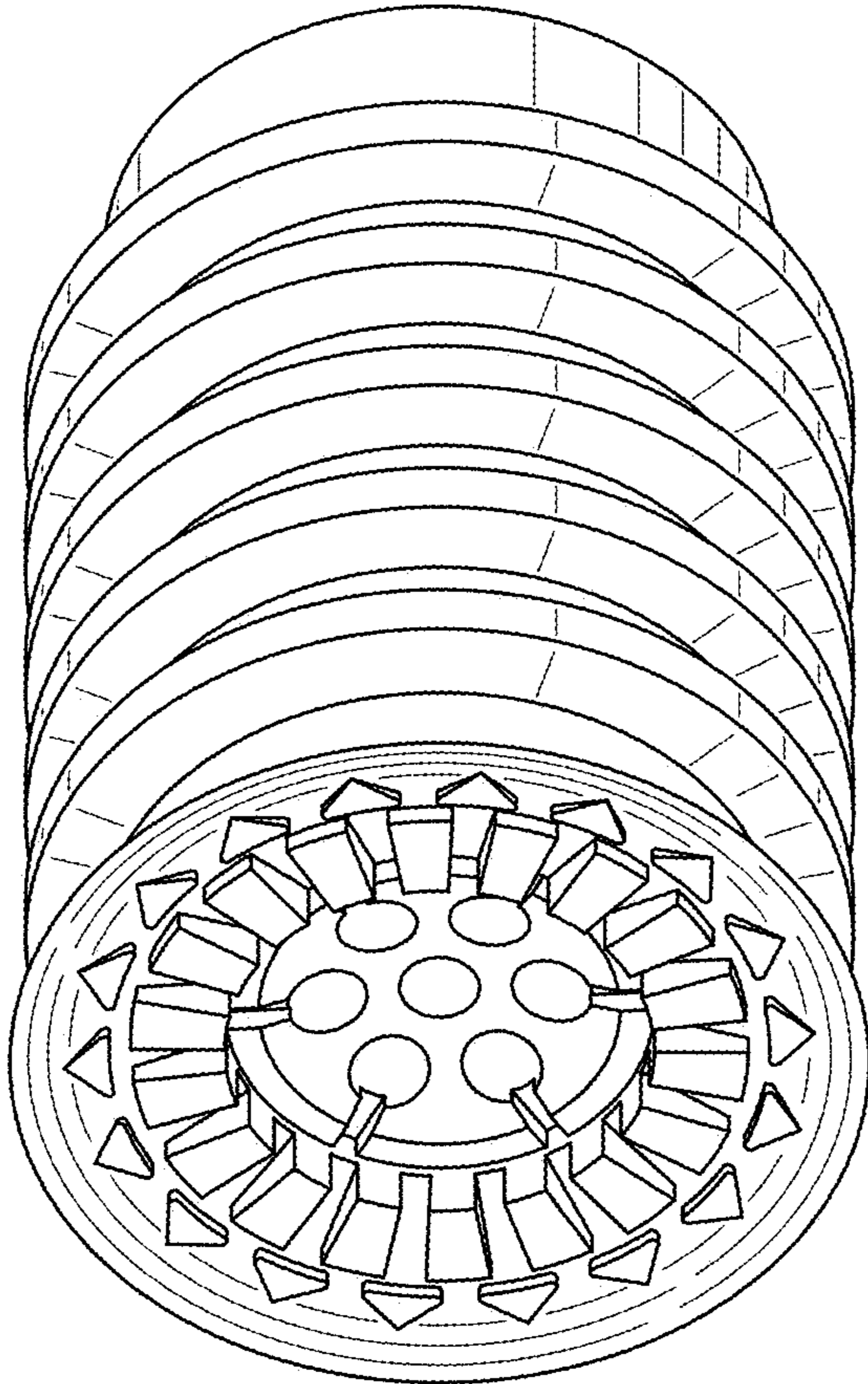


FIG. 11

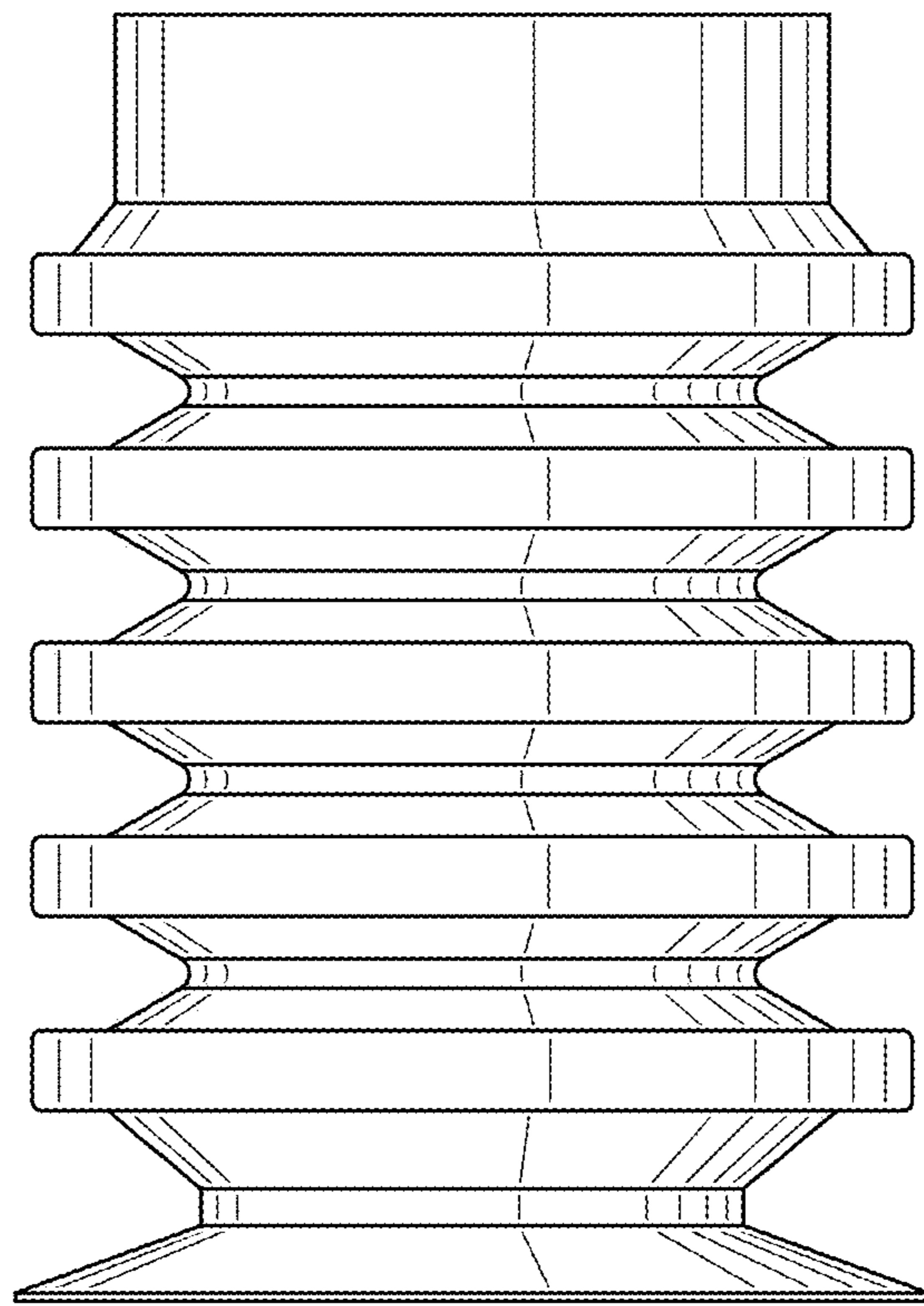


FIG. 12

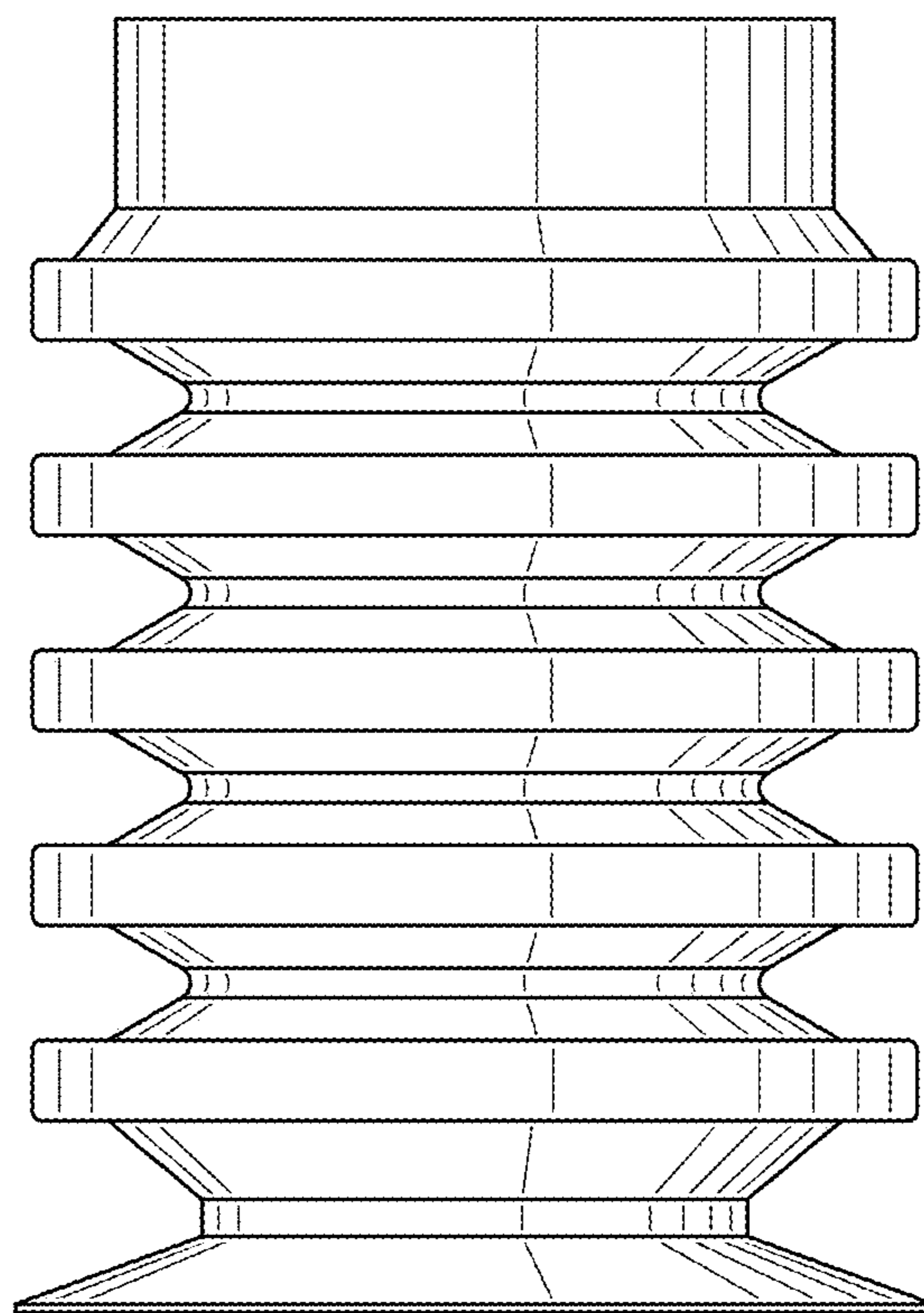


FIG. 13

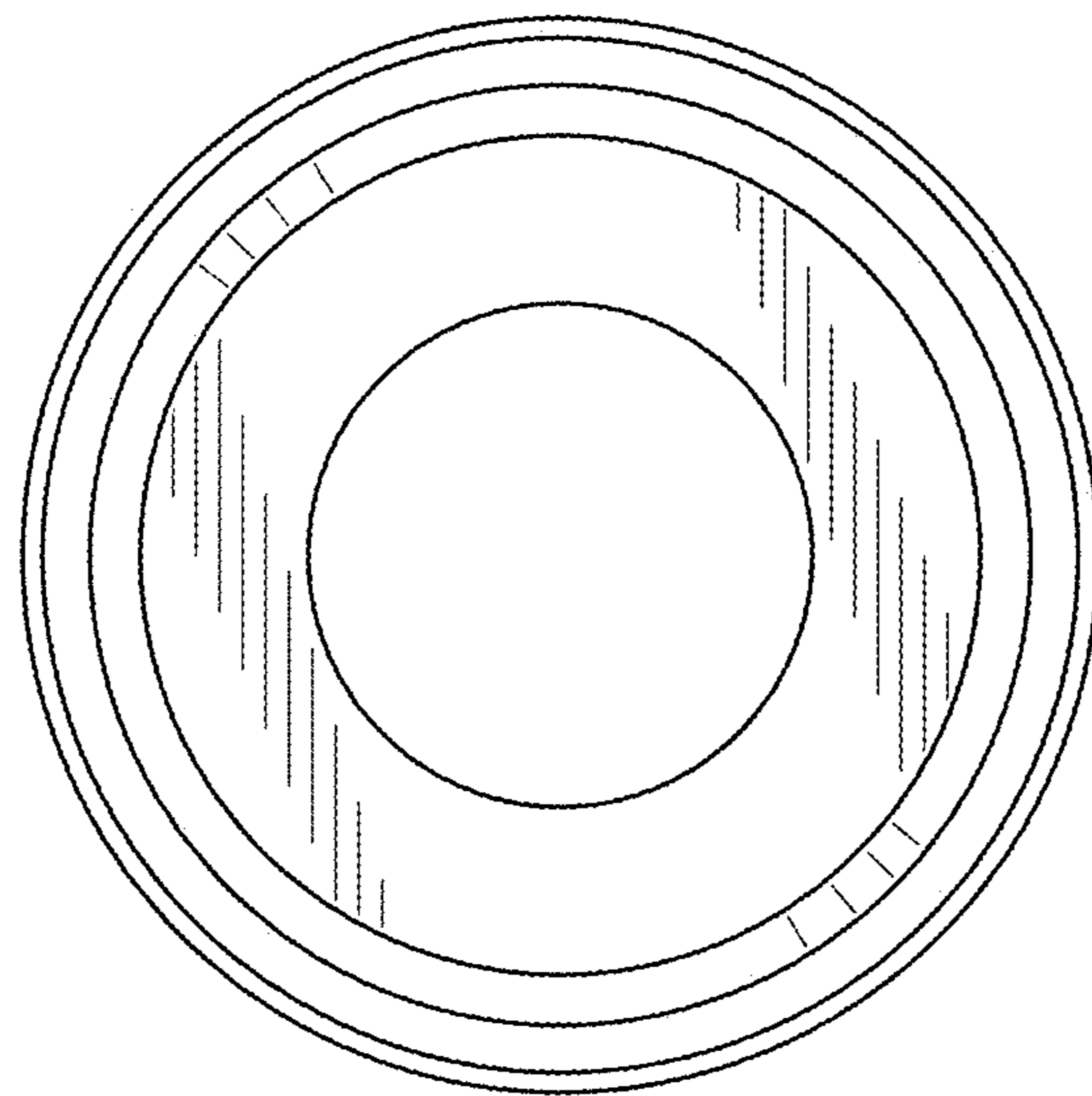


FIG. 14

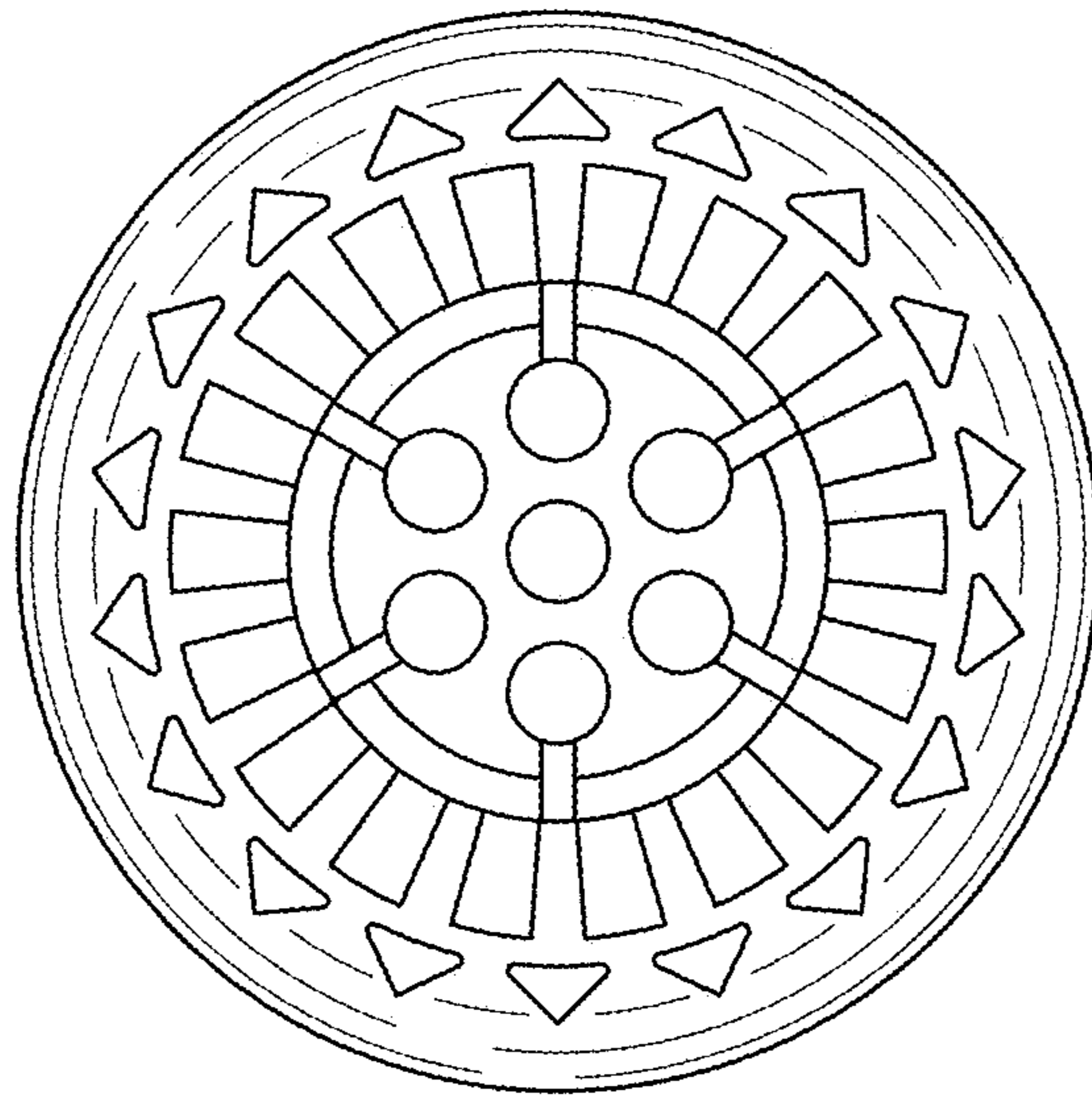


FIG. 15

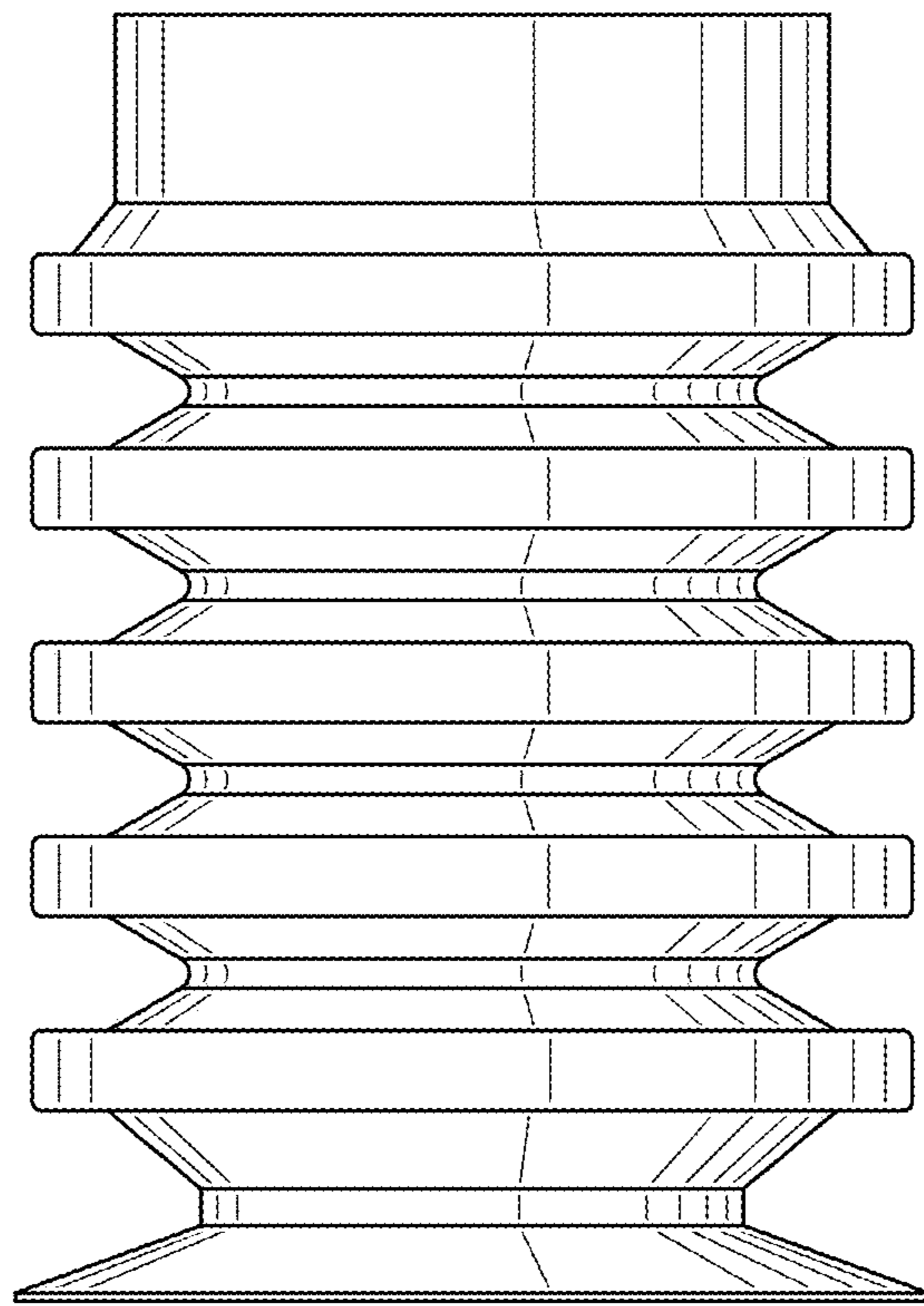


FIG. 16

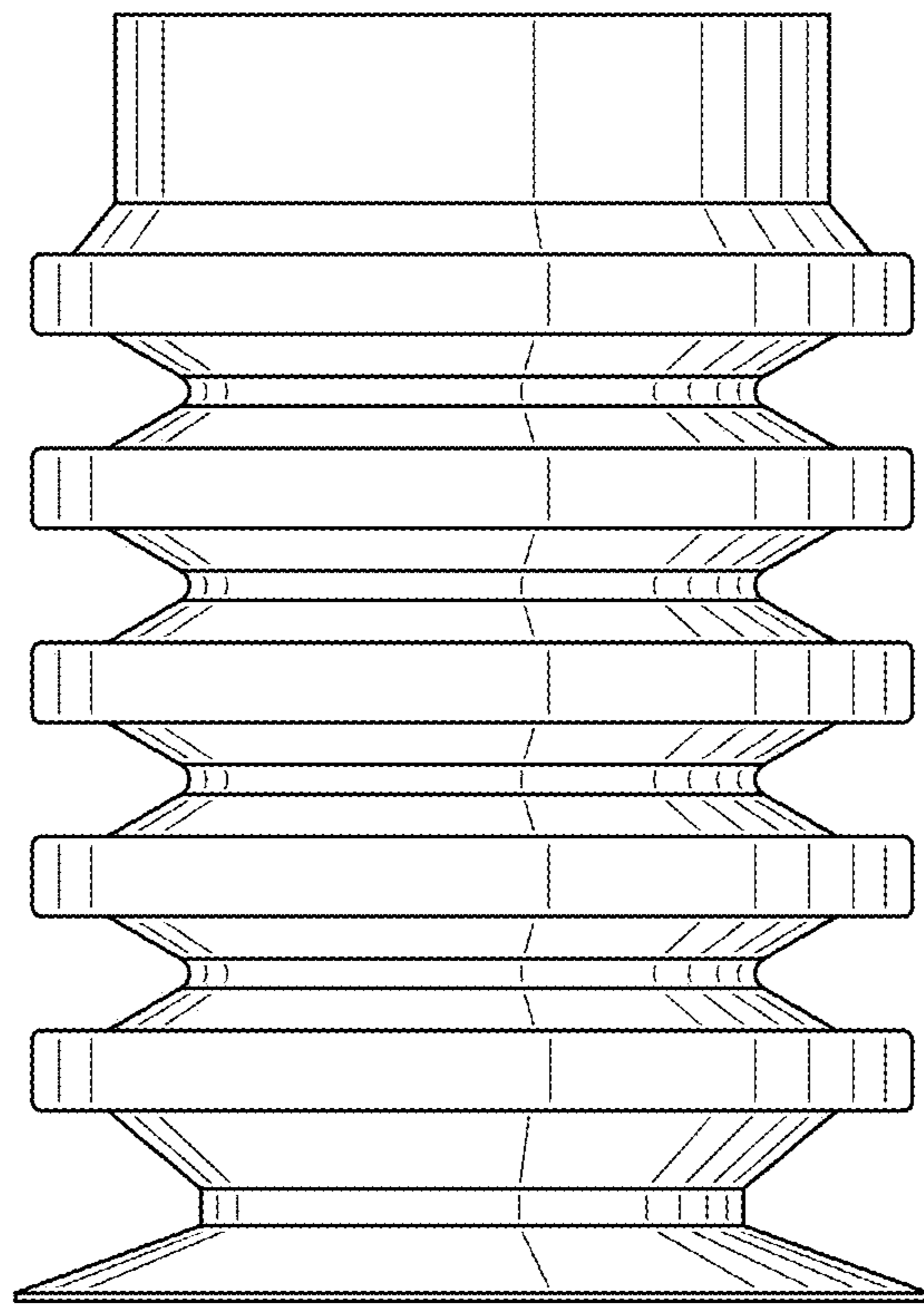


FIG. 17

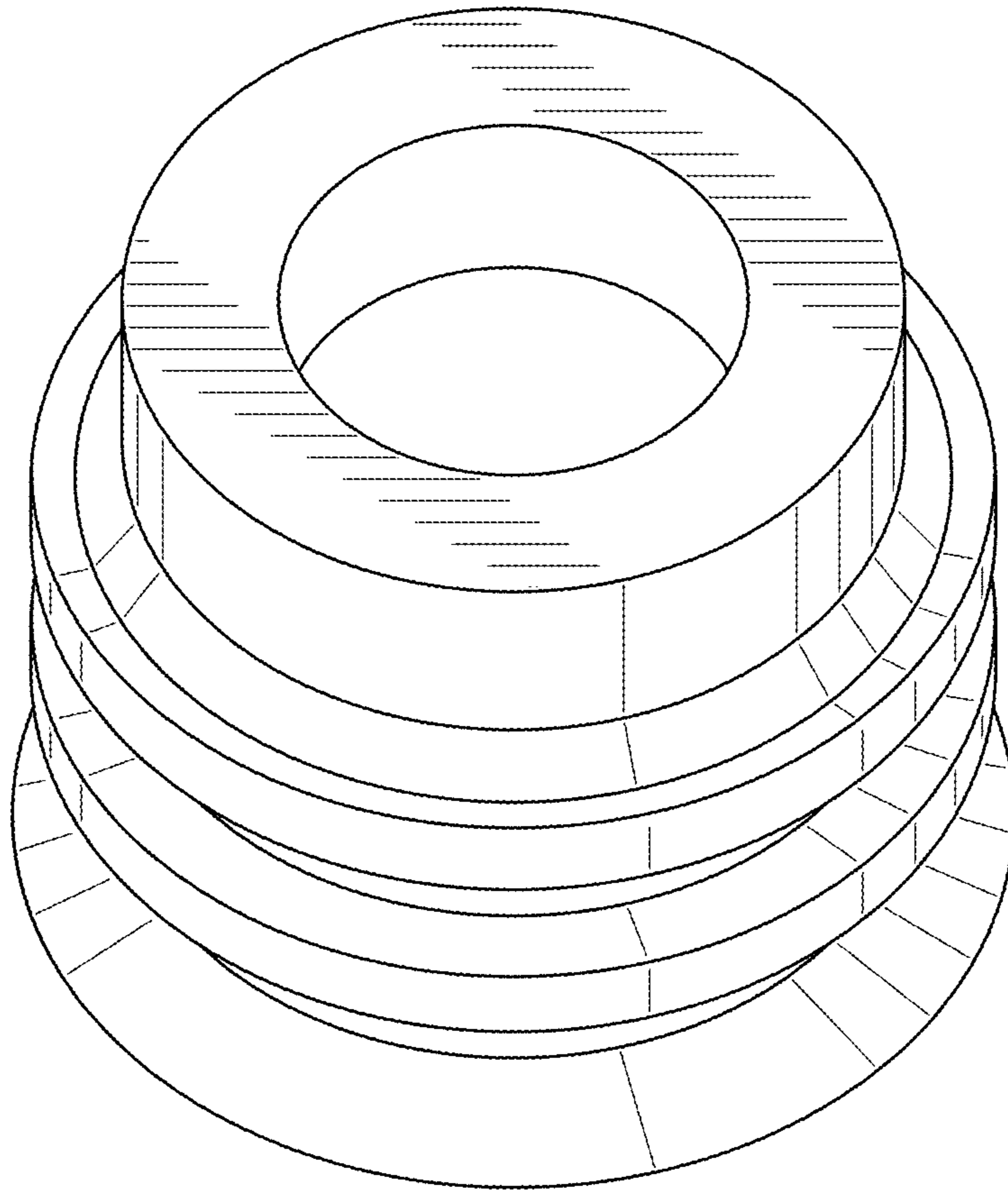


FIG. 18

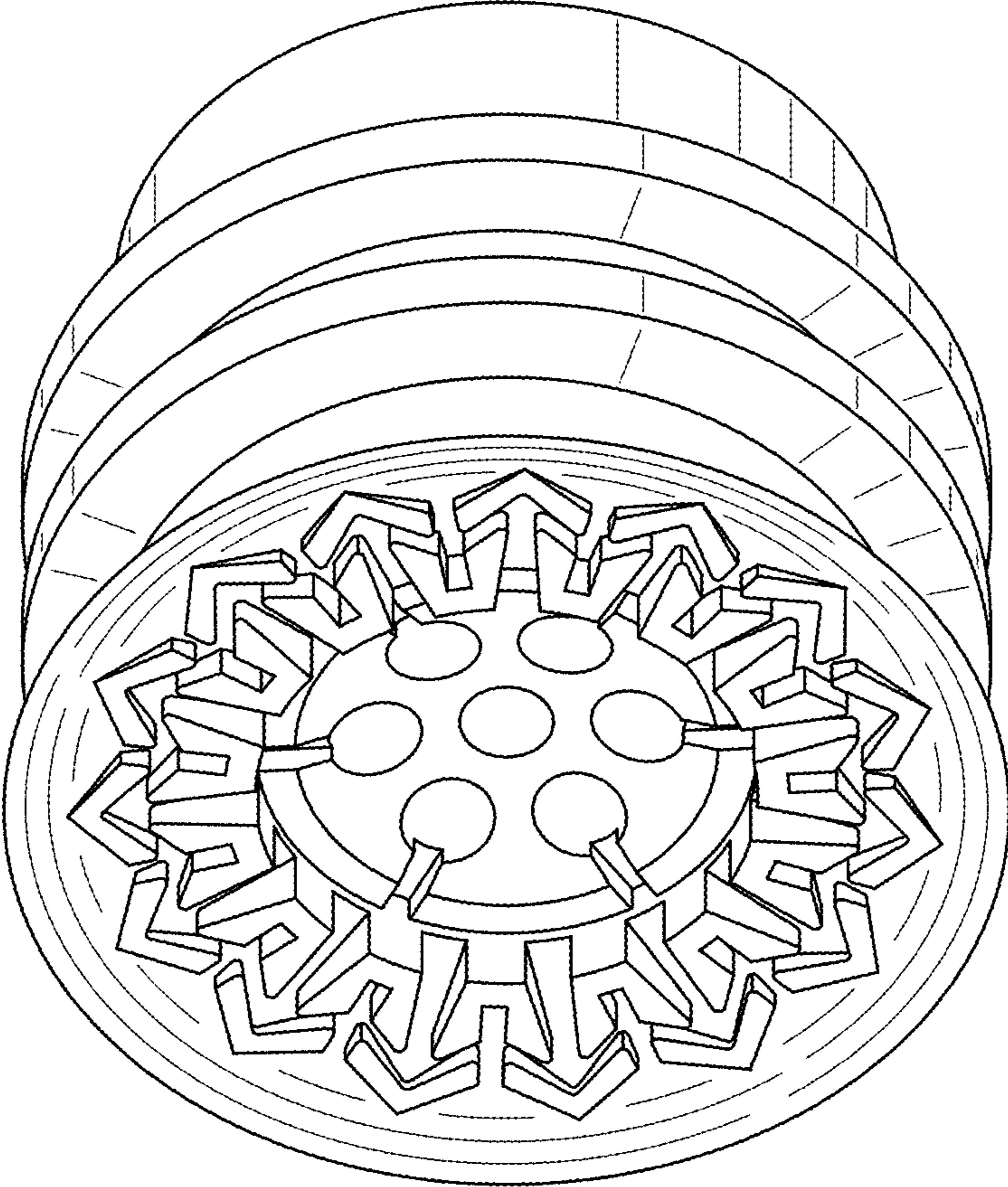


FIG. 19

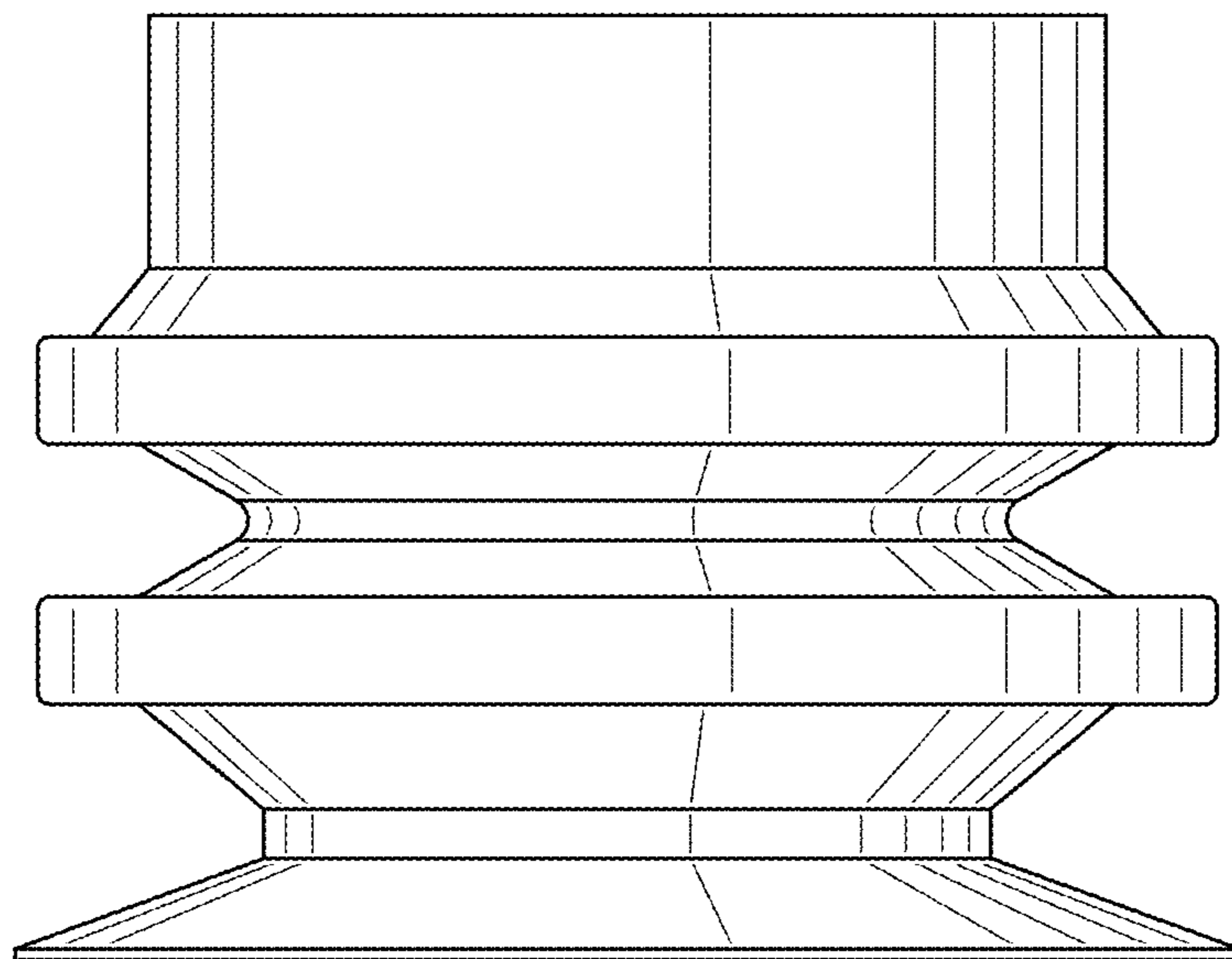


FIG. 20

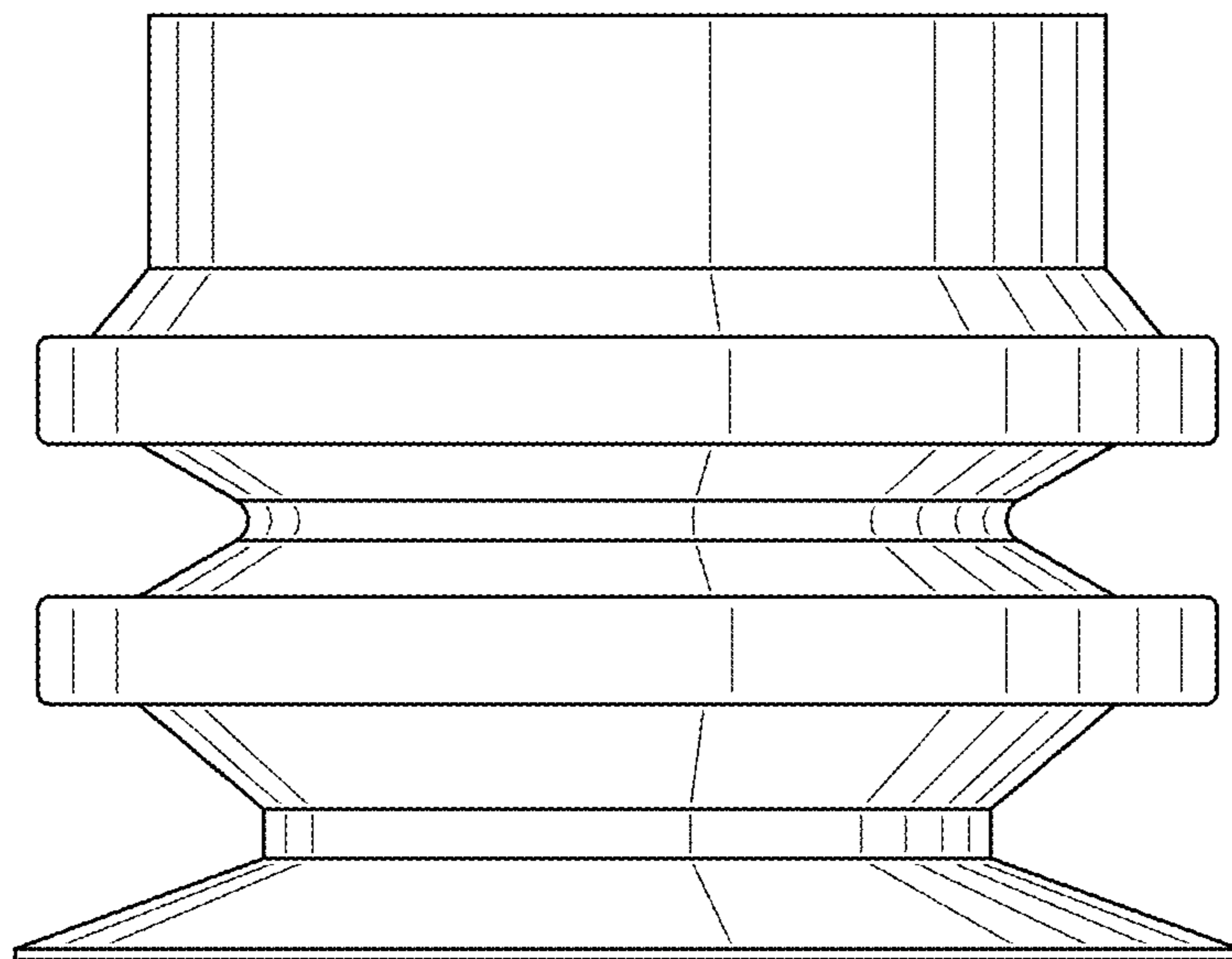


FIG. 21

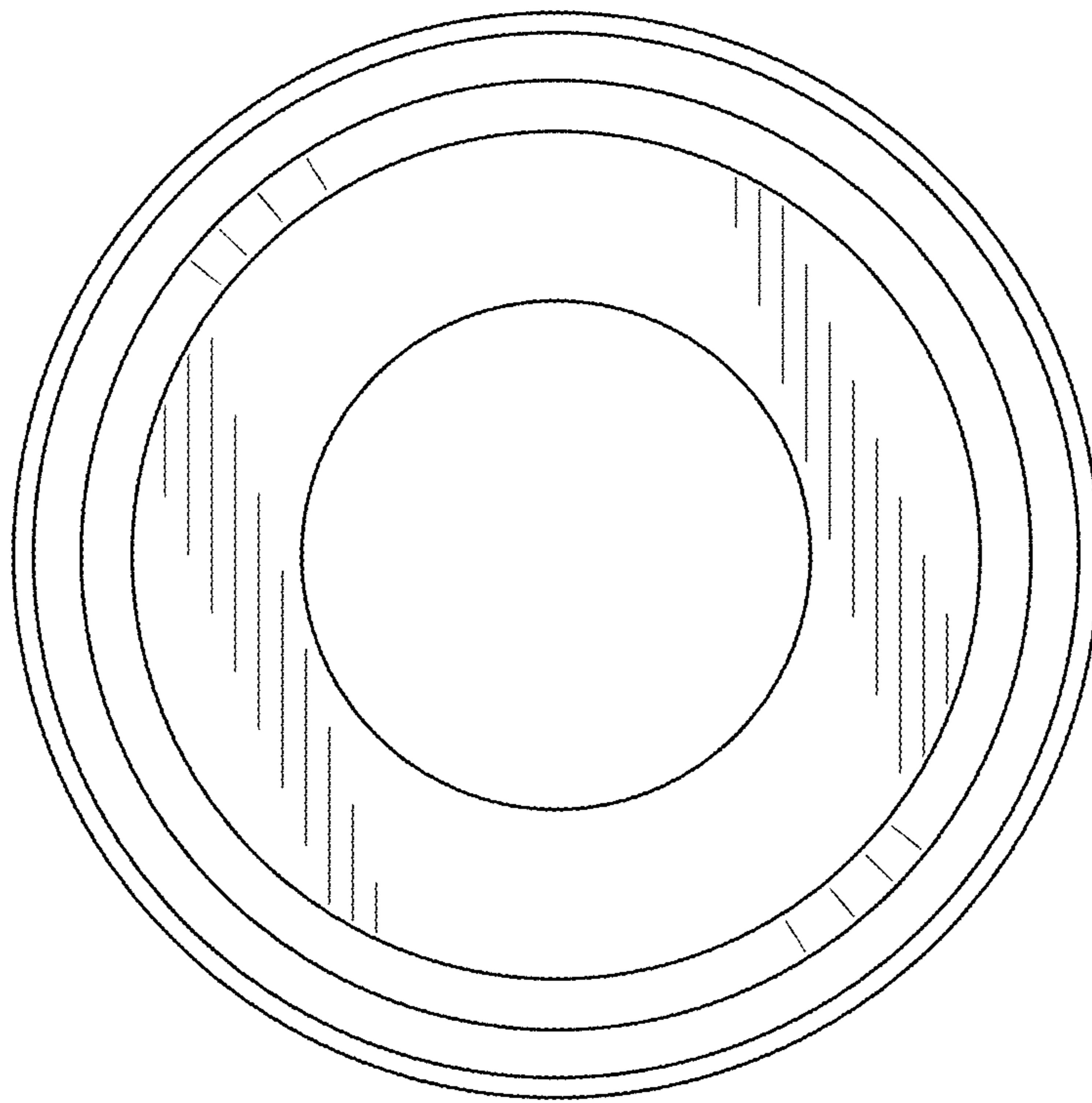


FIG. 22

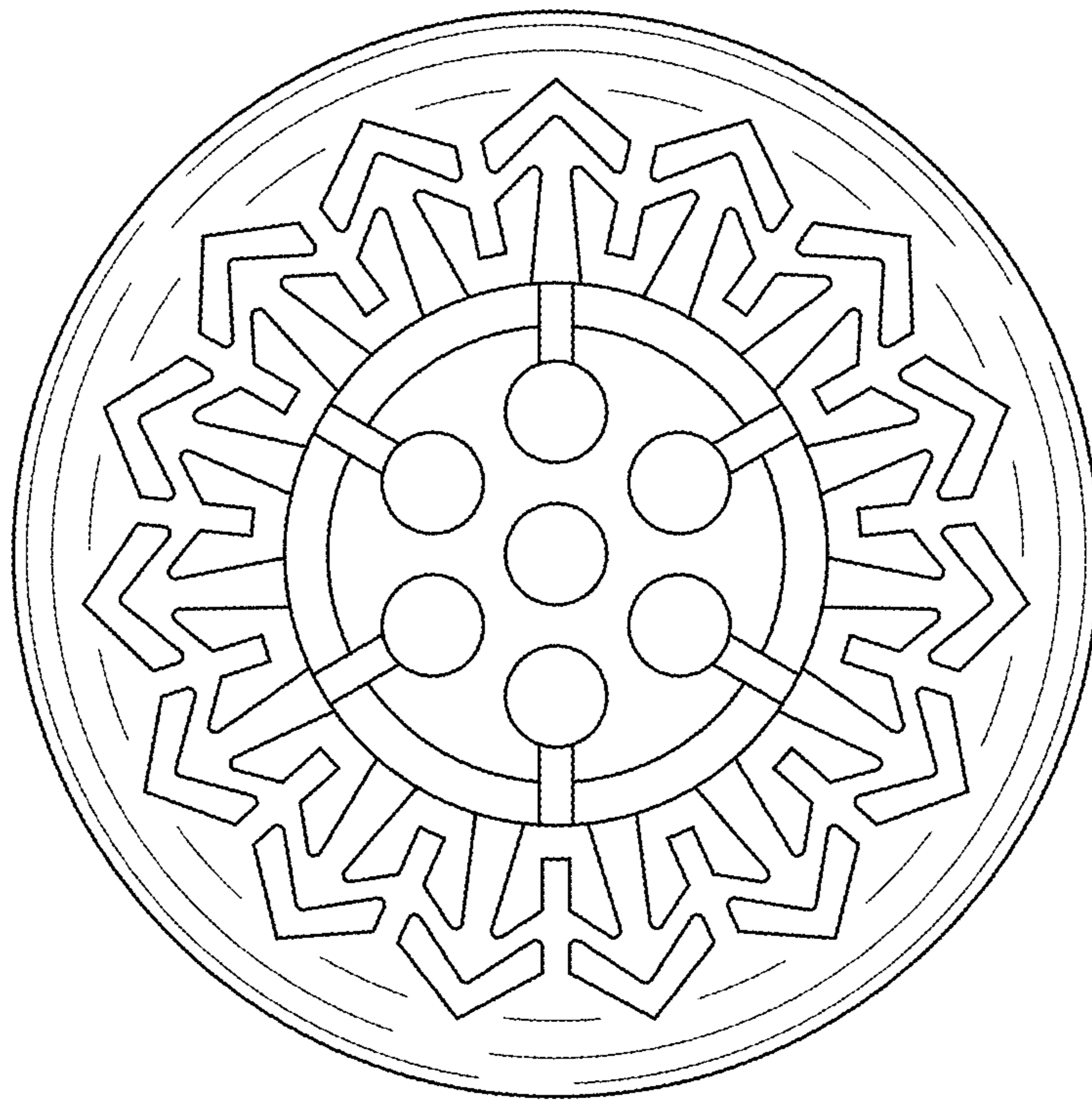


FIG. 23

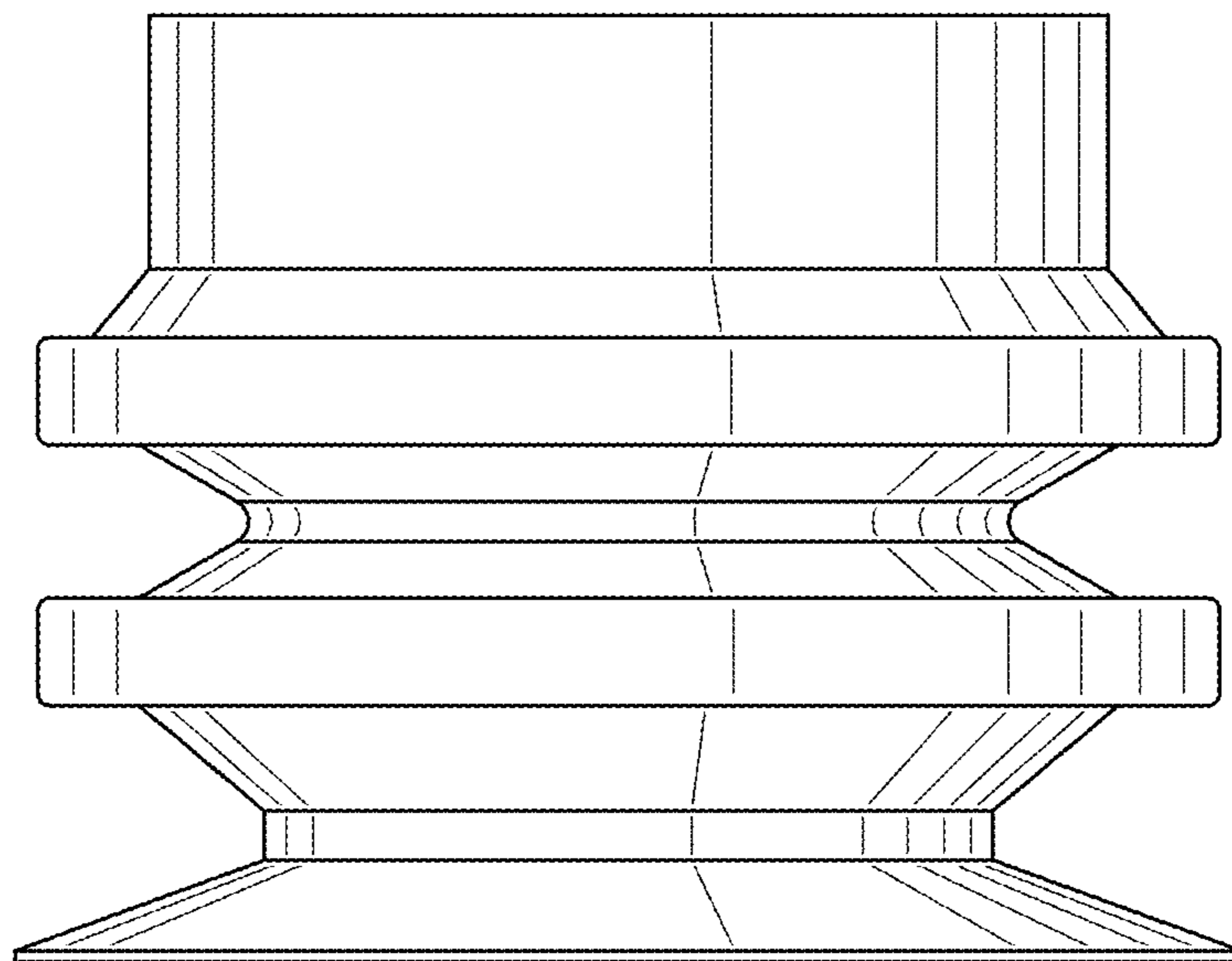


FIG. 24

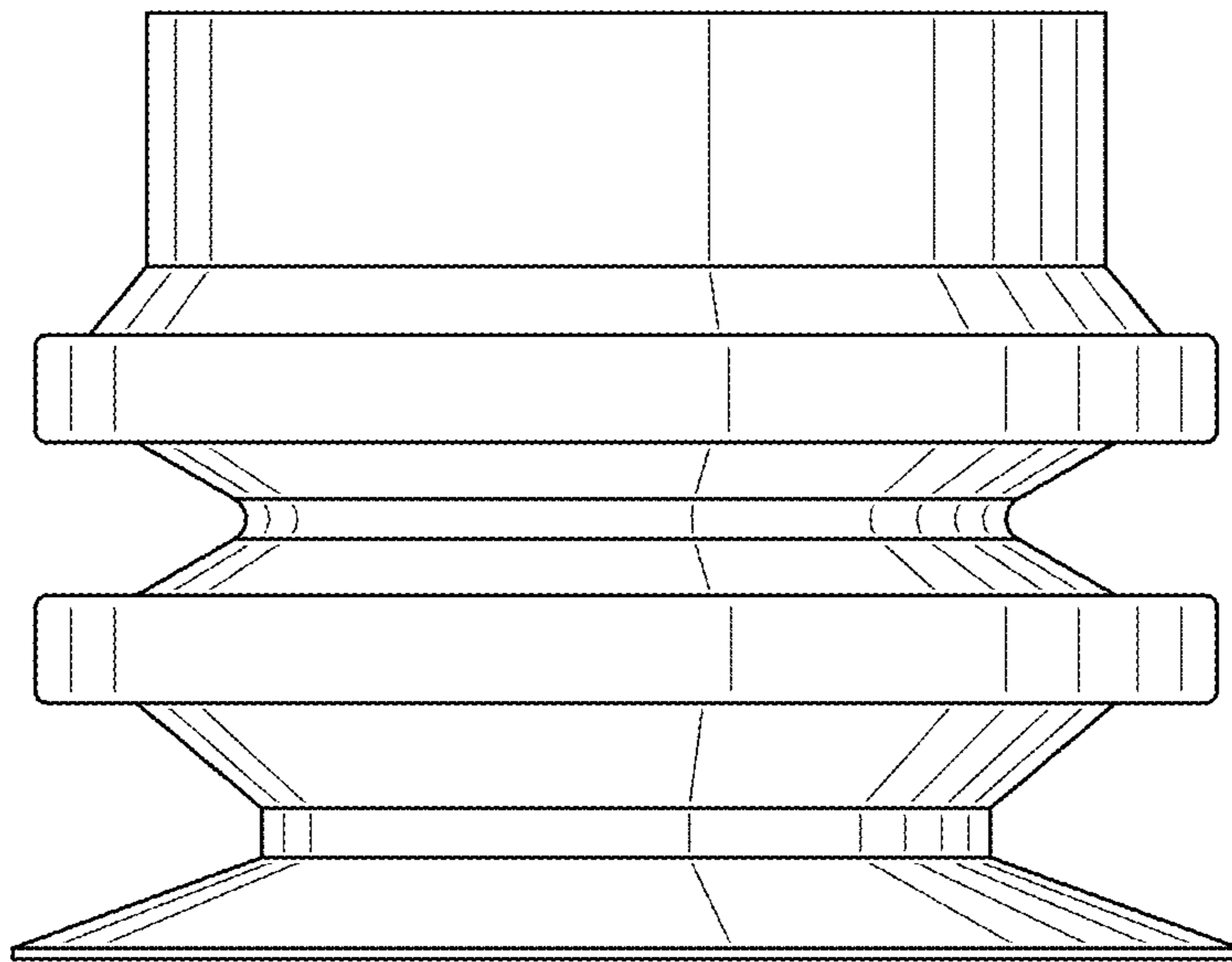


FIG. 25

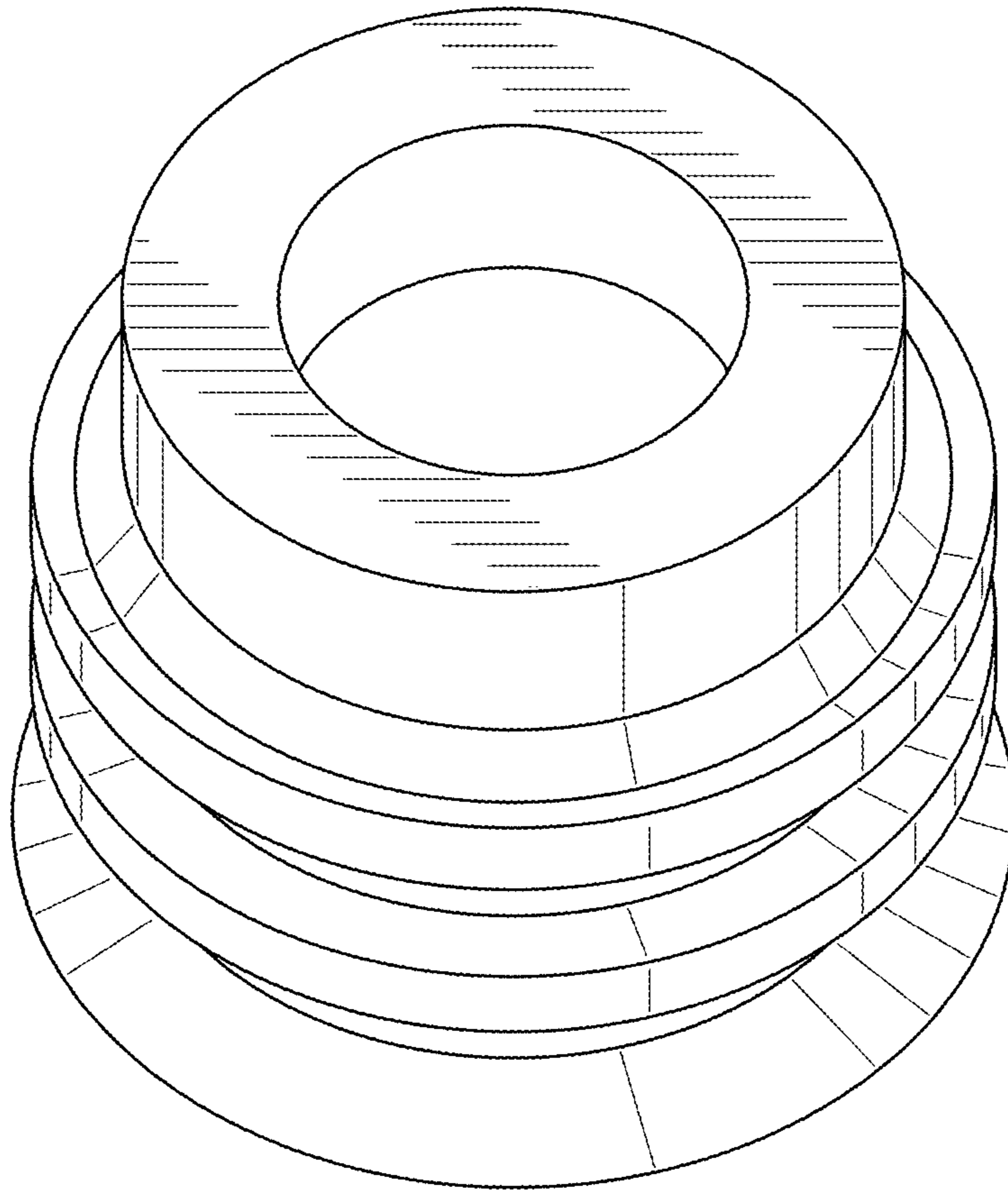


FIG. 26

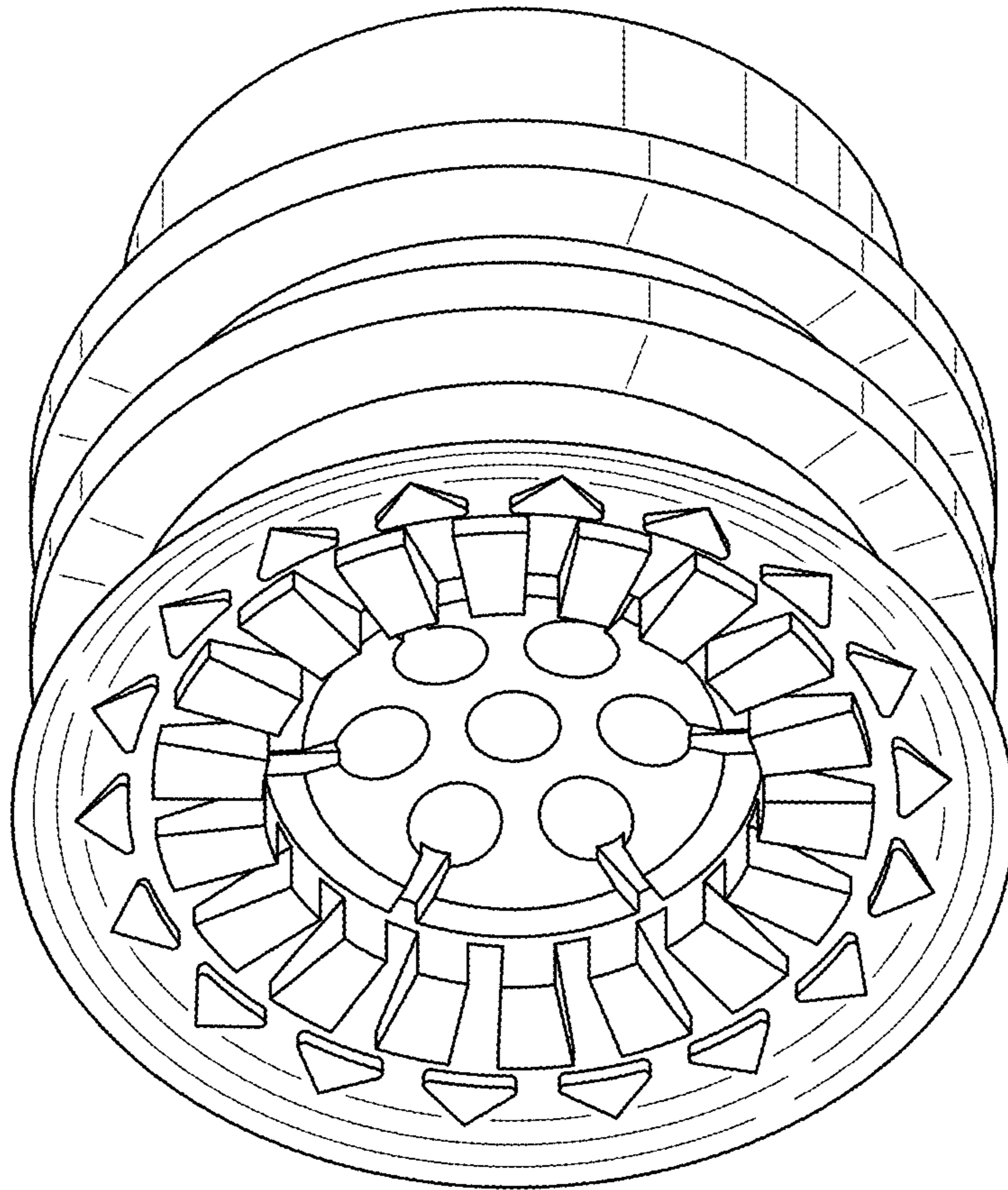


FIG. 27

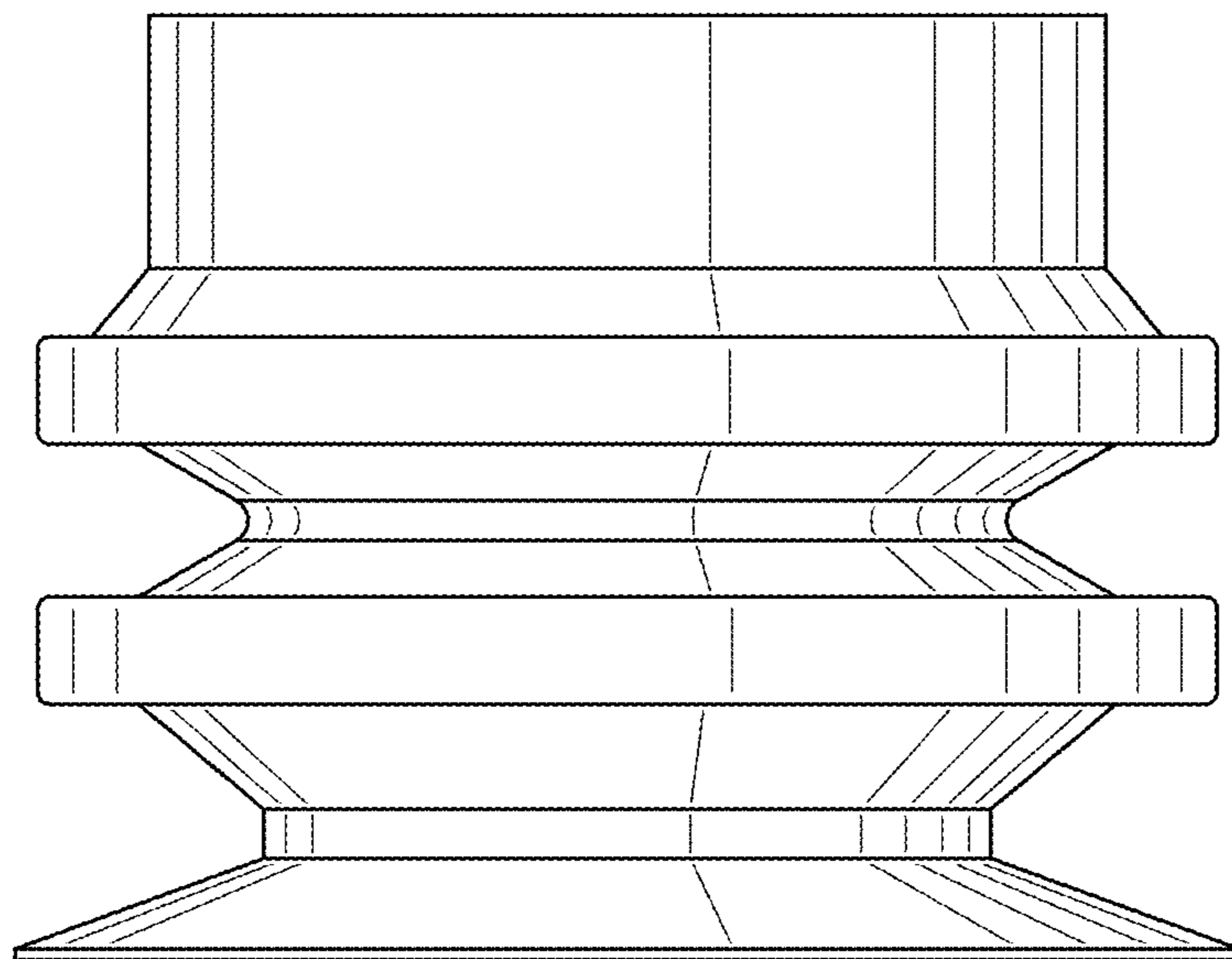


FIG. 28

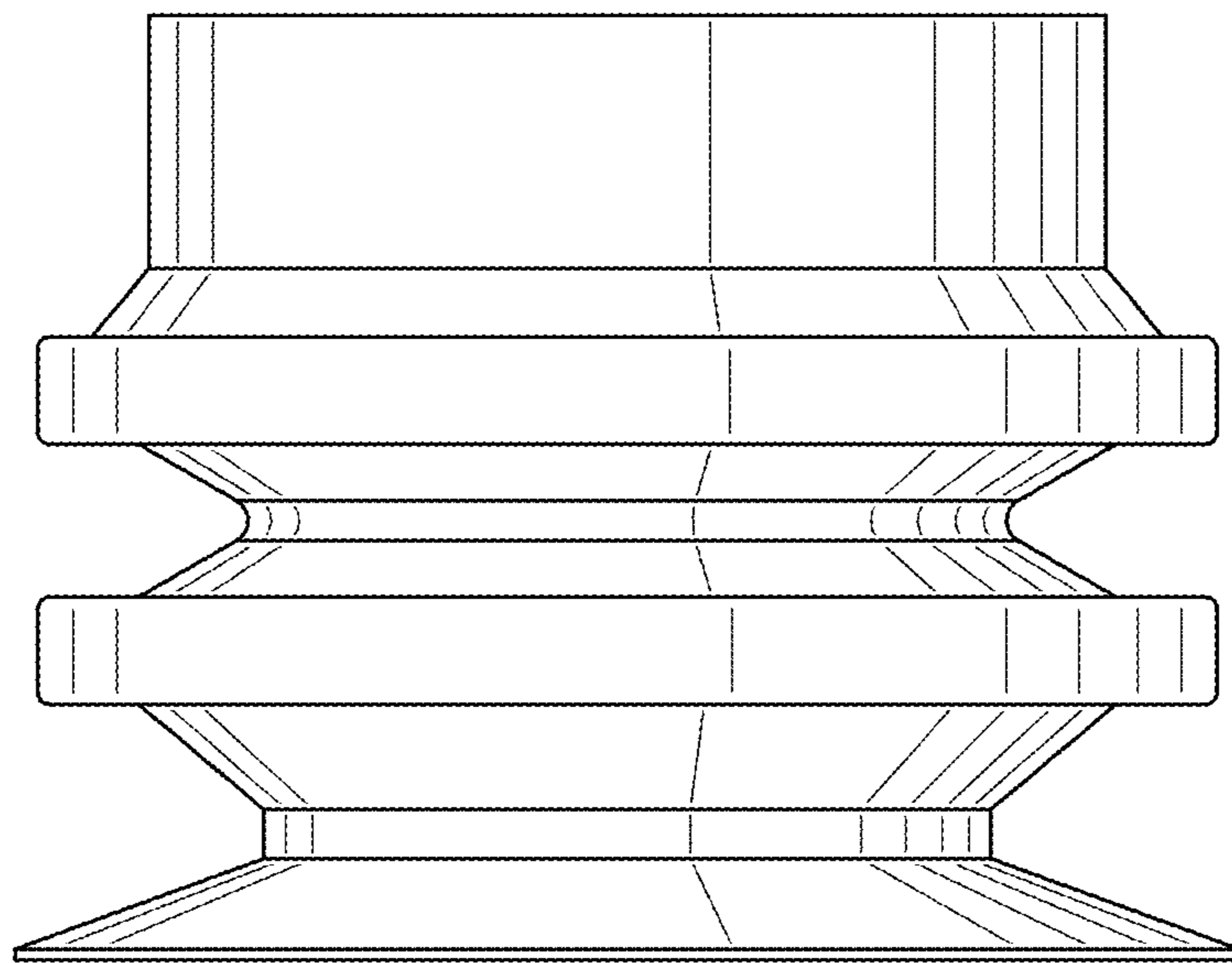


FIG. 29

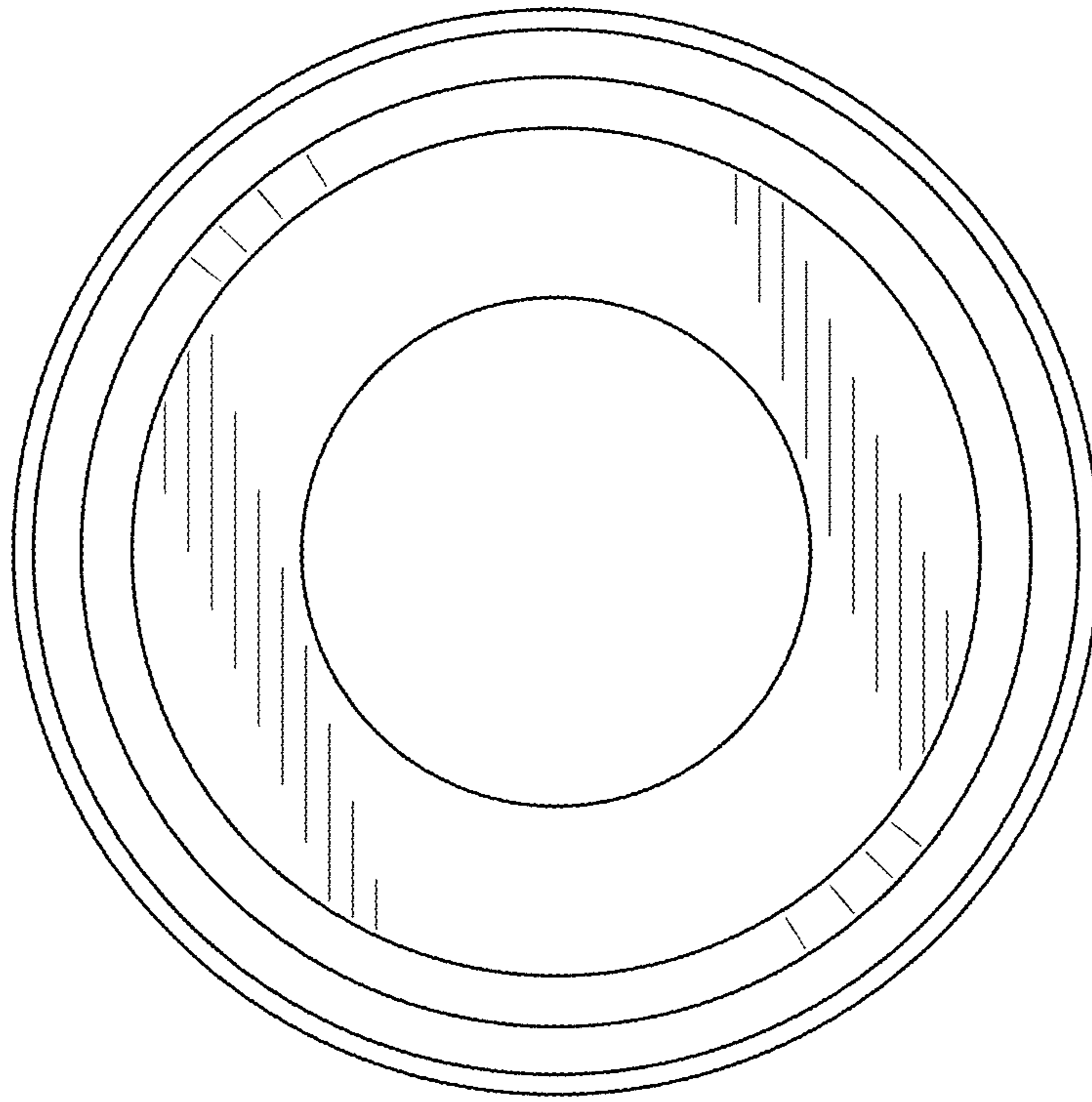


FIG. 30

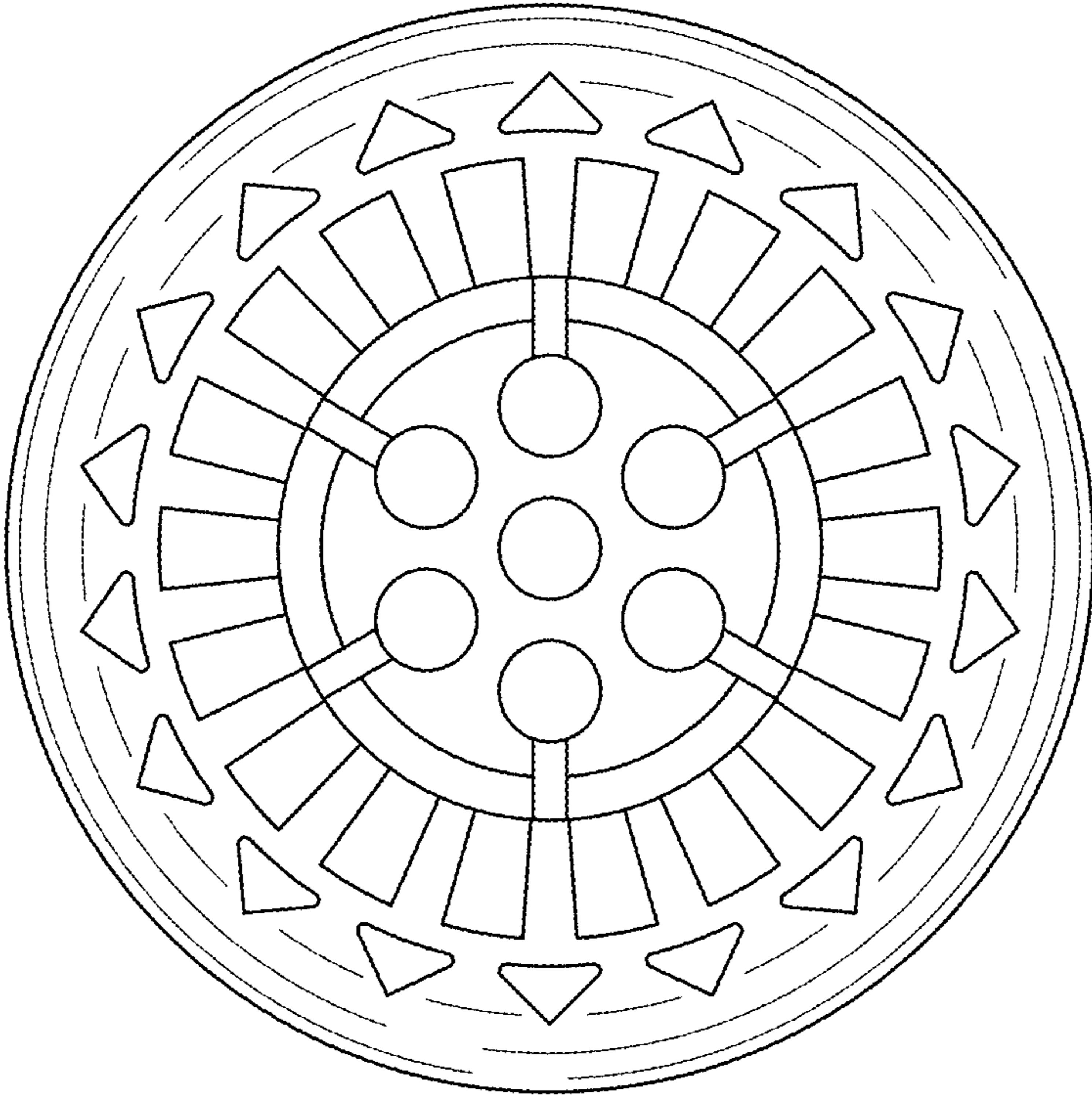


FIG. 31

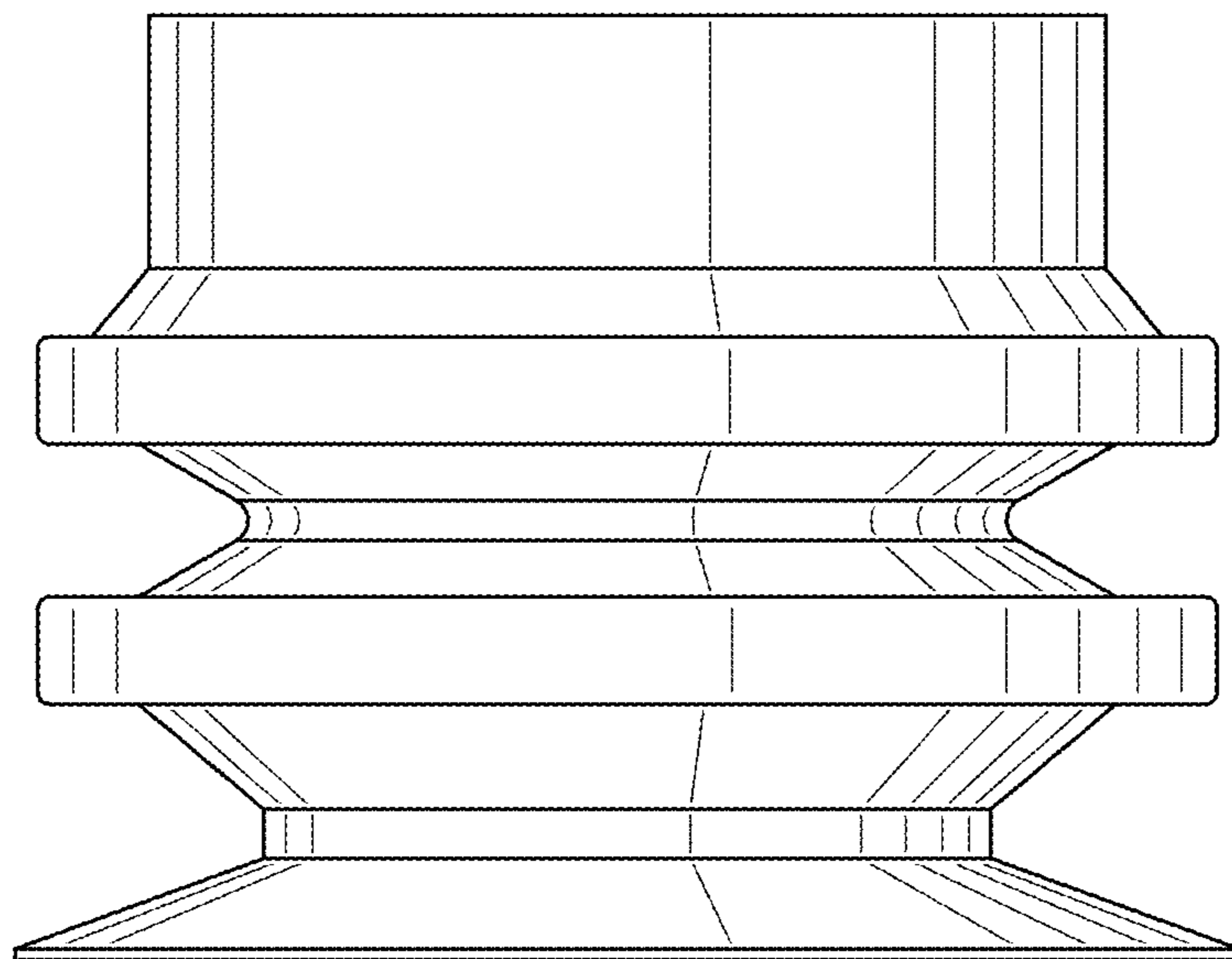


FIG. 32

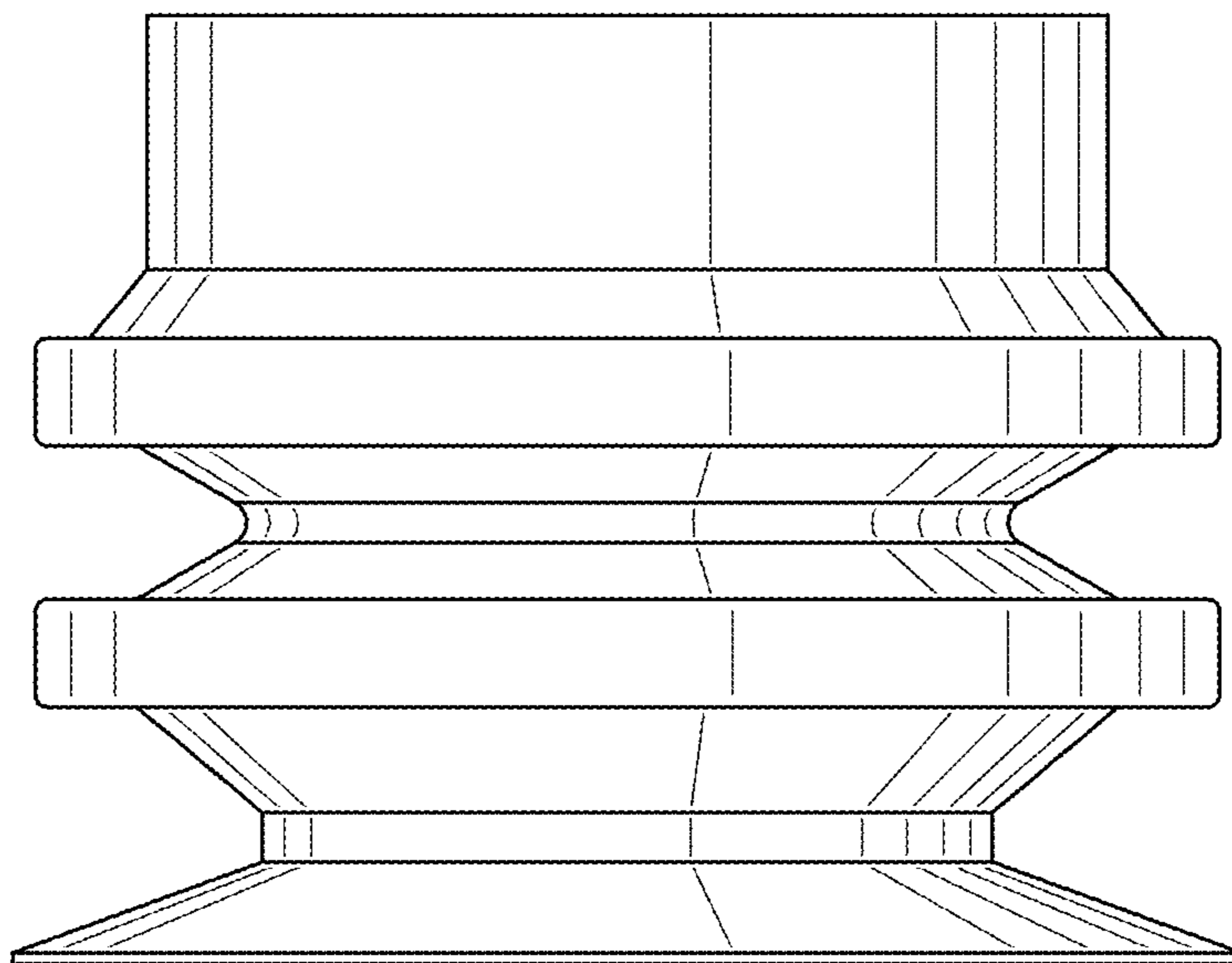


FIG. 33

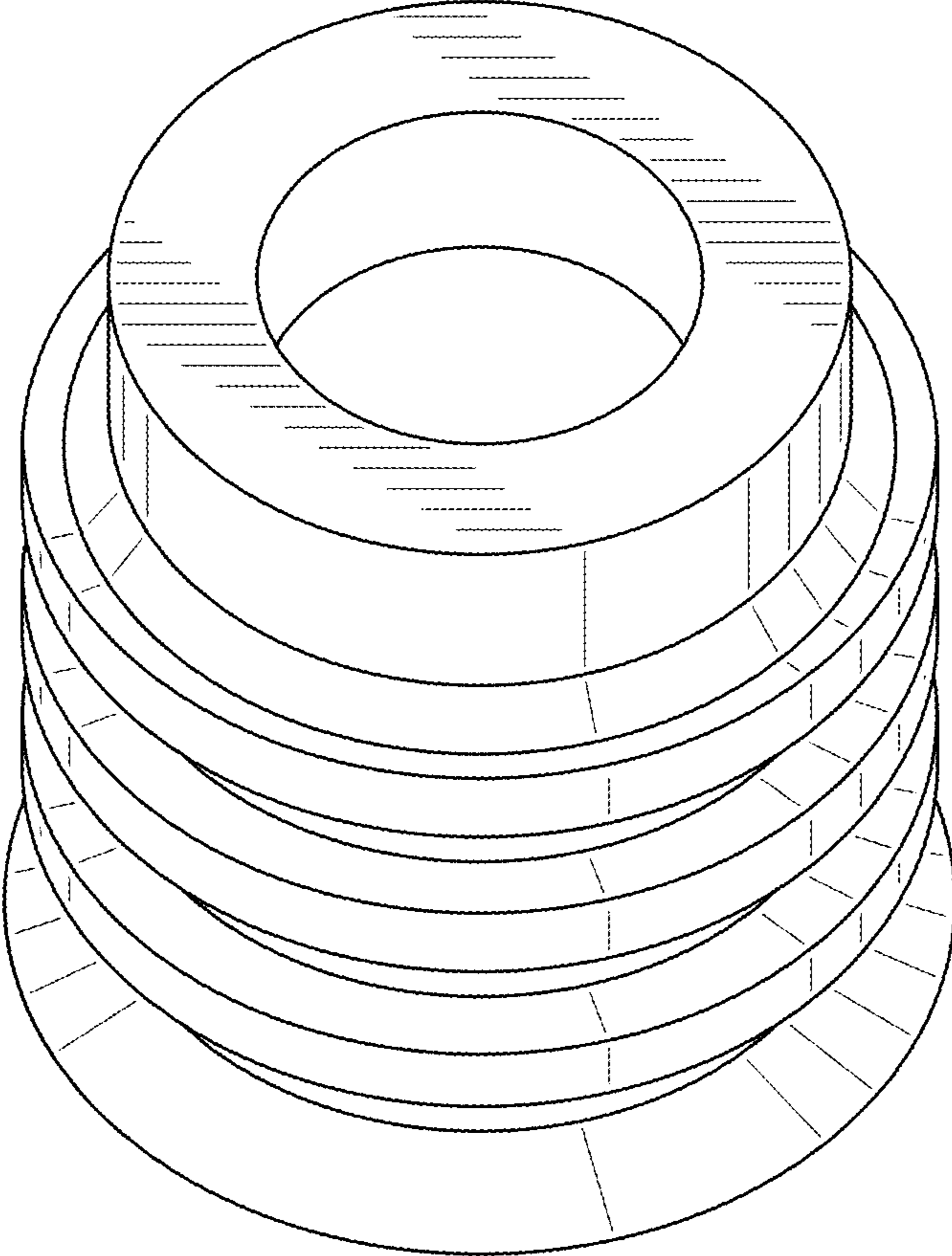


FIG. 34

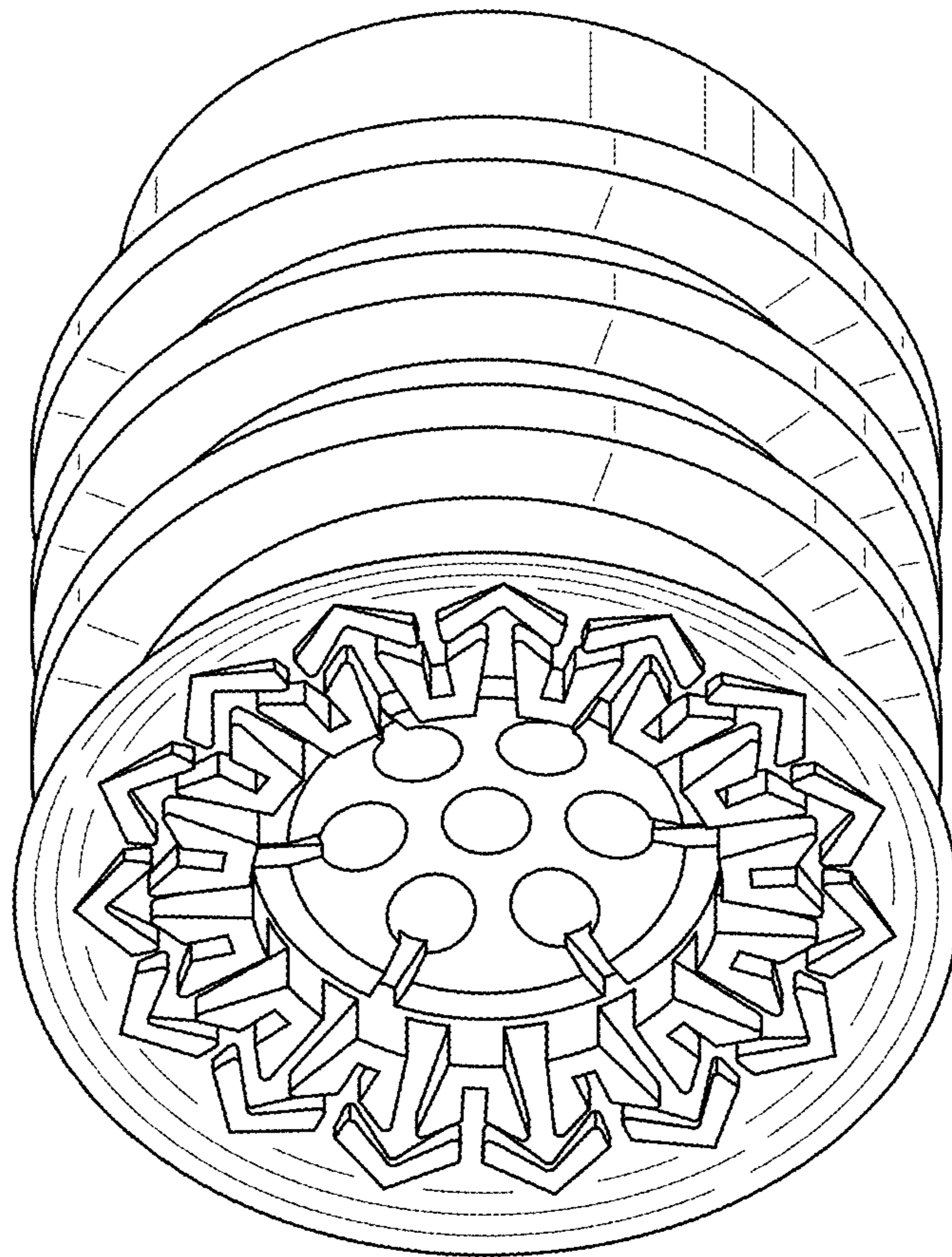


FIG. 35

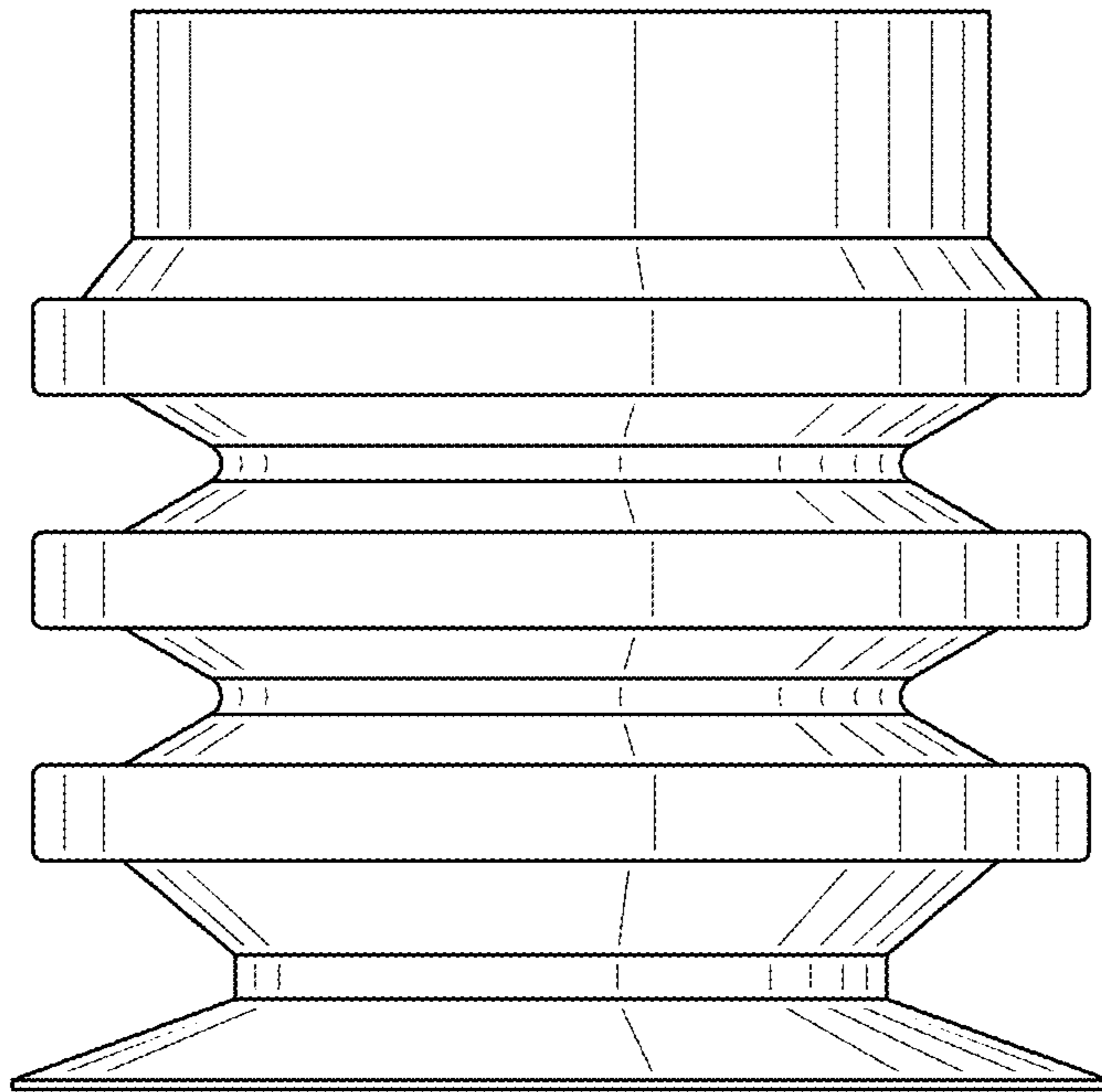


FIG. 36

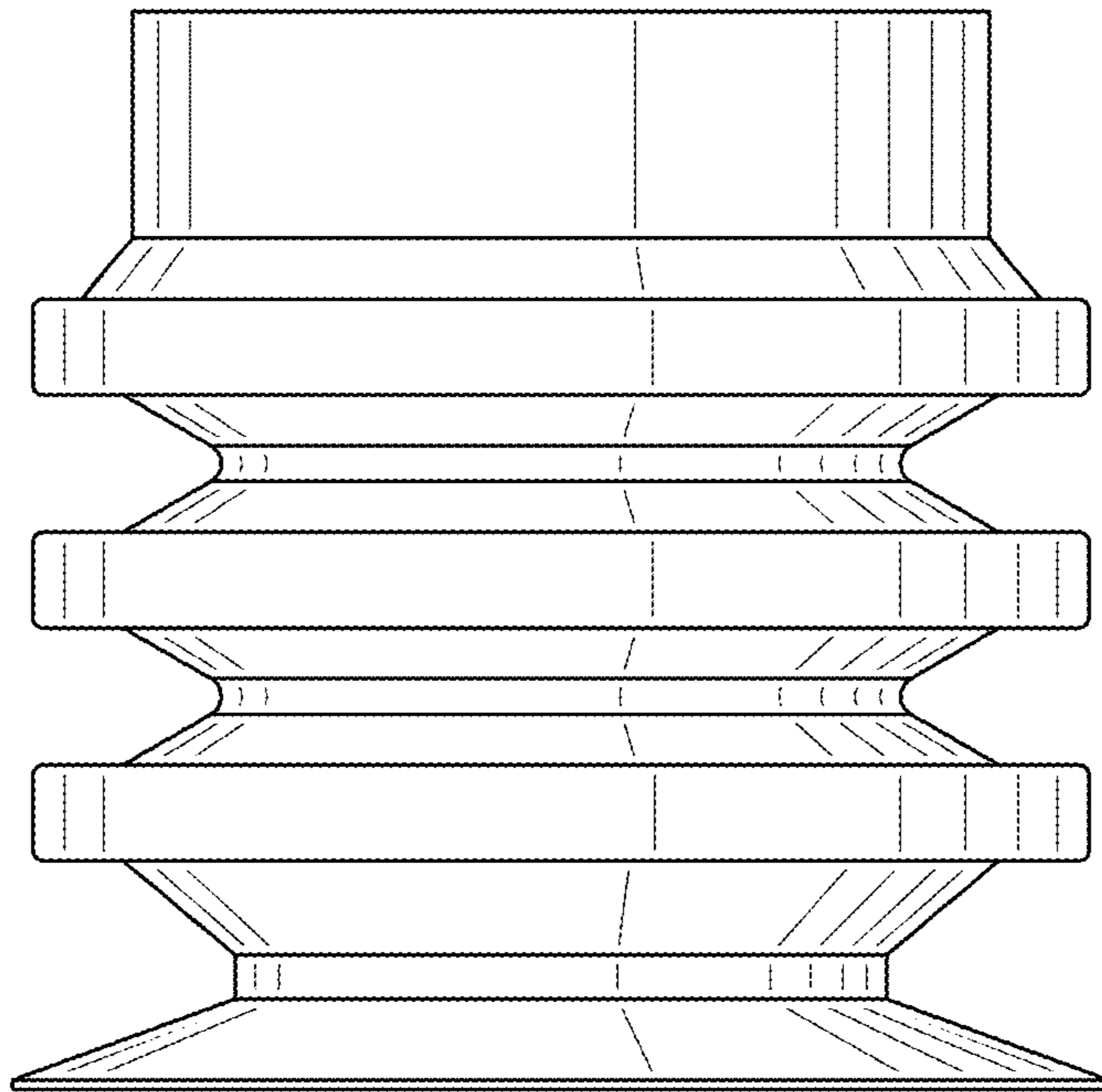


FIG. 37

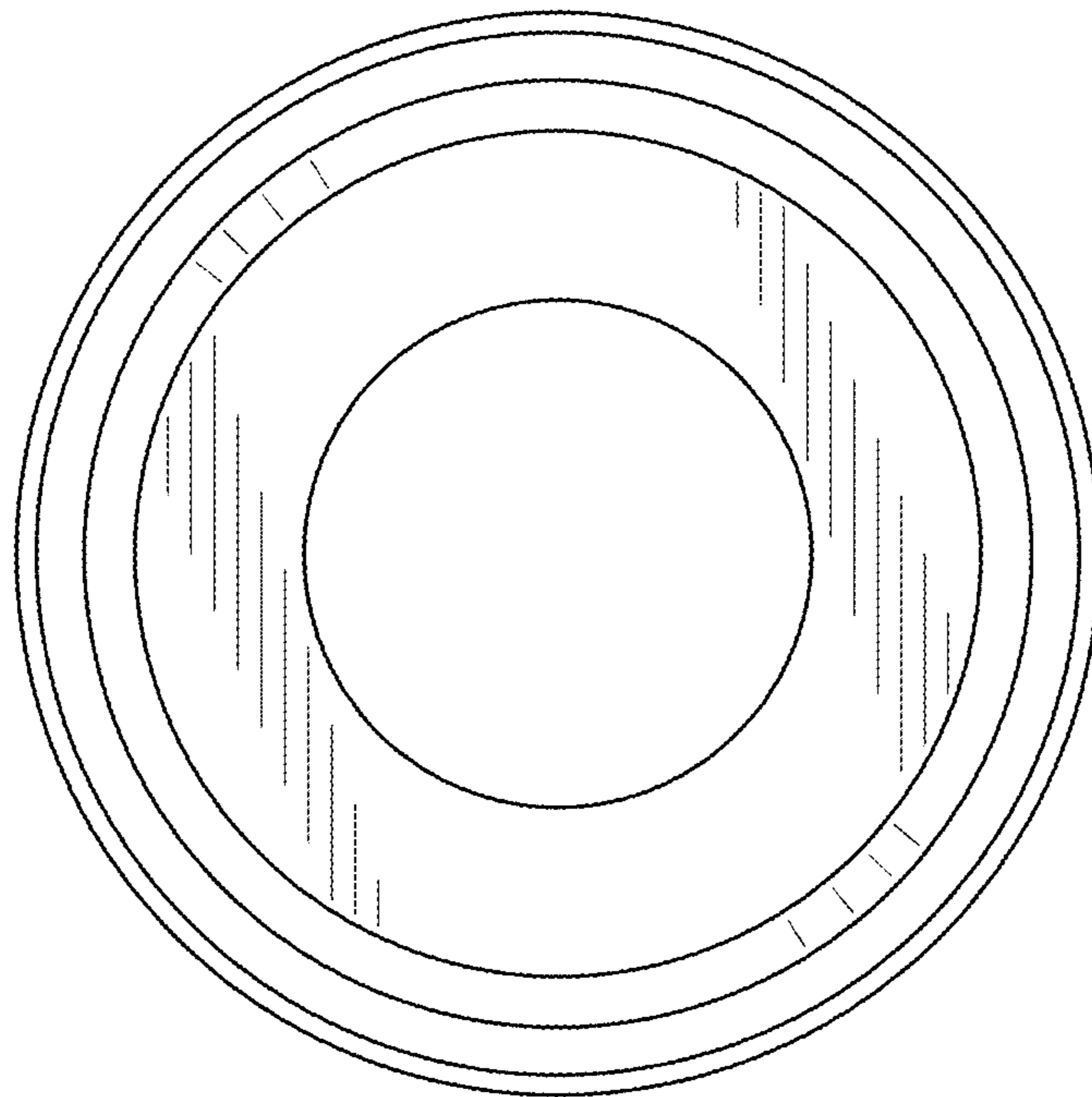


FIG. 38

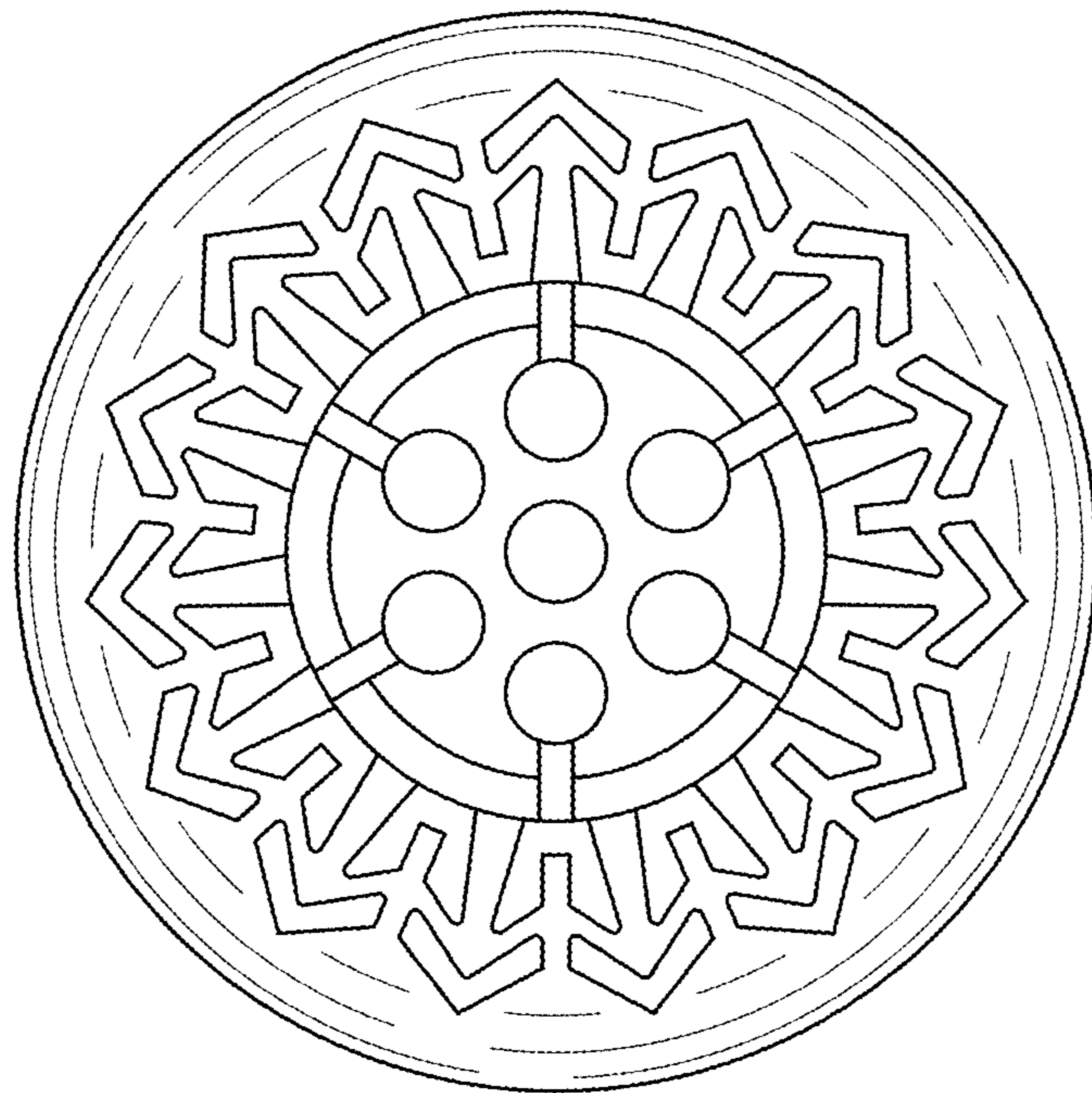


FIG. 39

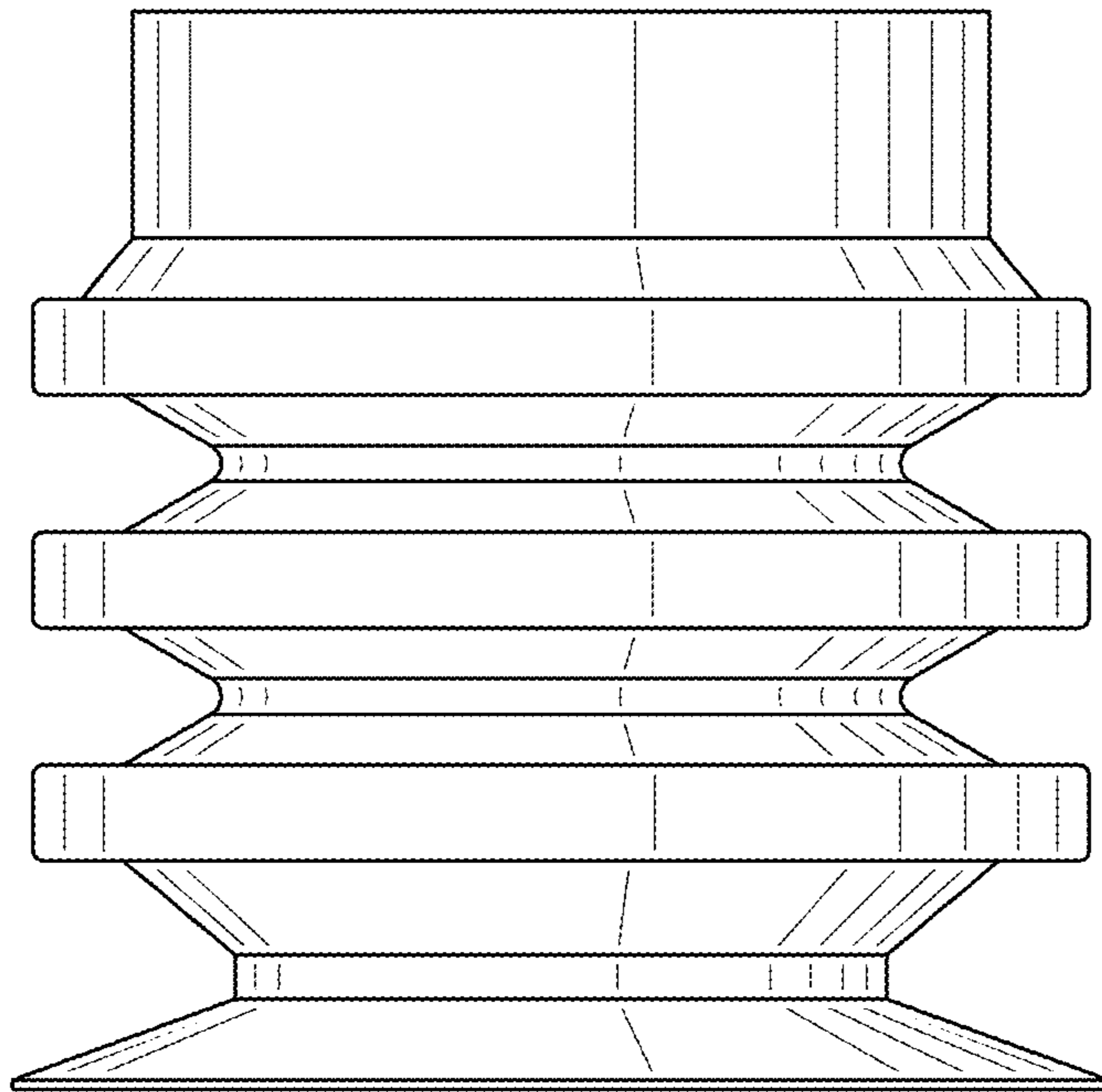


FIG. 40

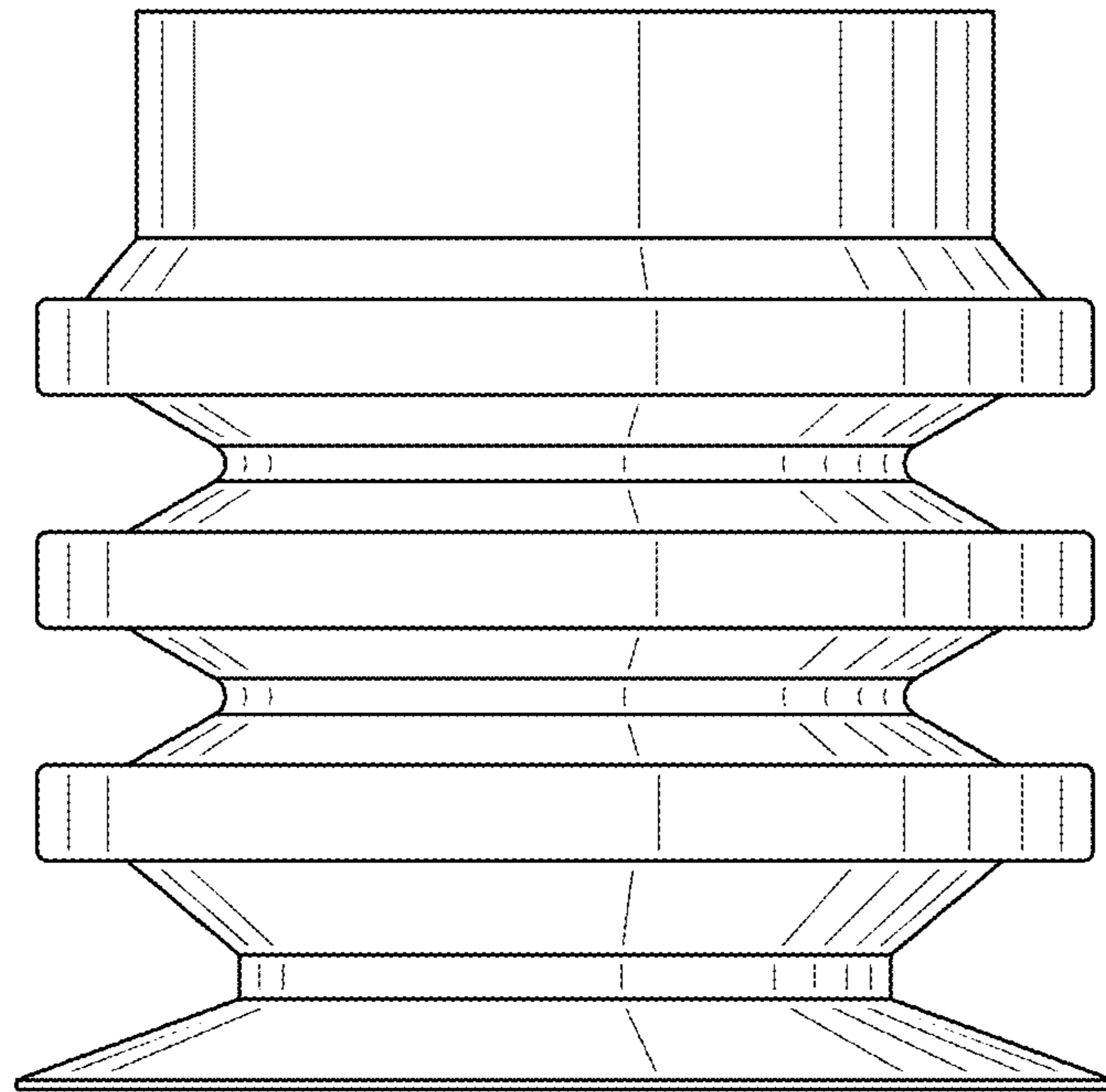


FIG. 41

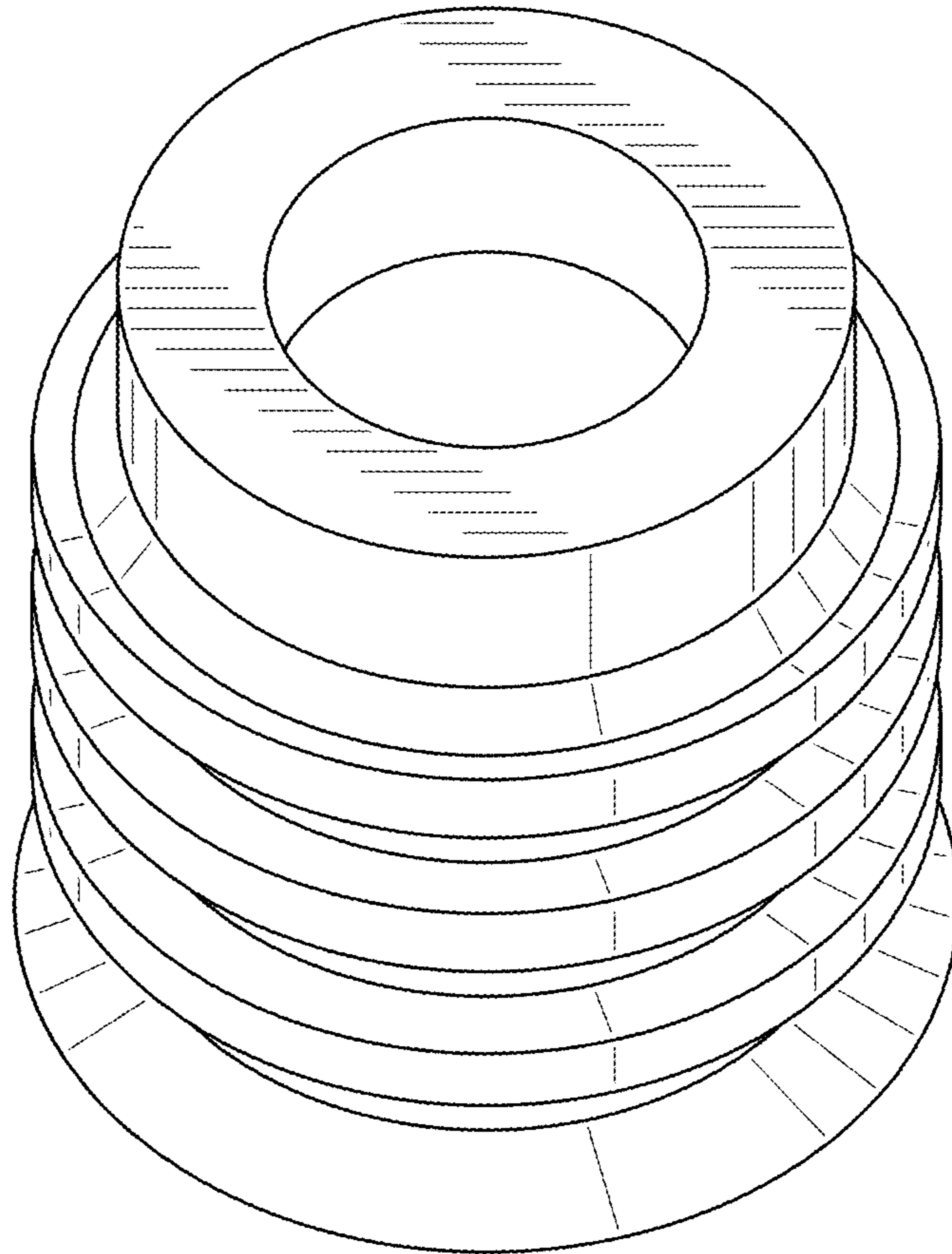


FIG. 42

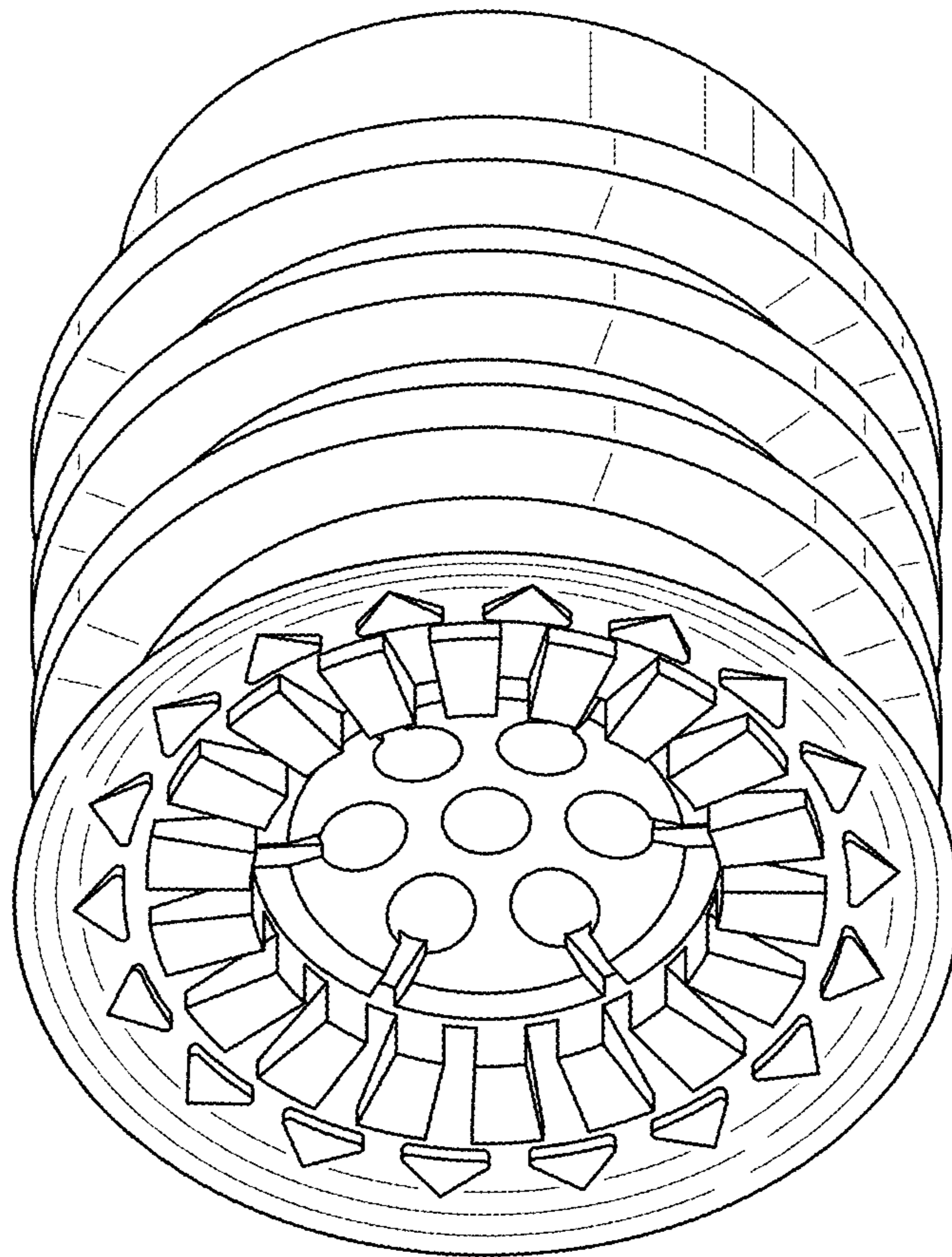


FIG. 43

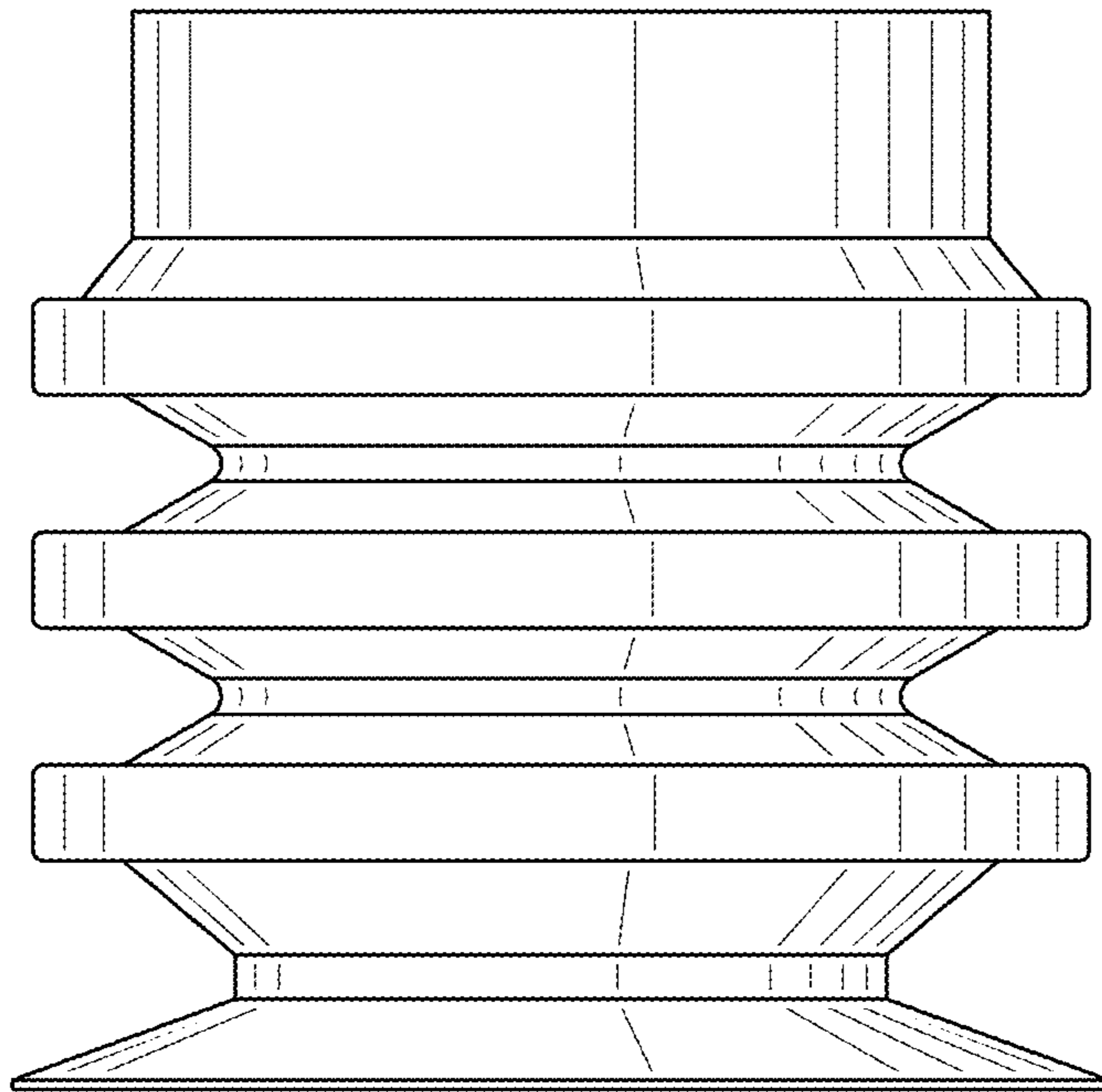


FIG. 44

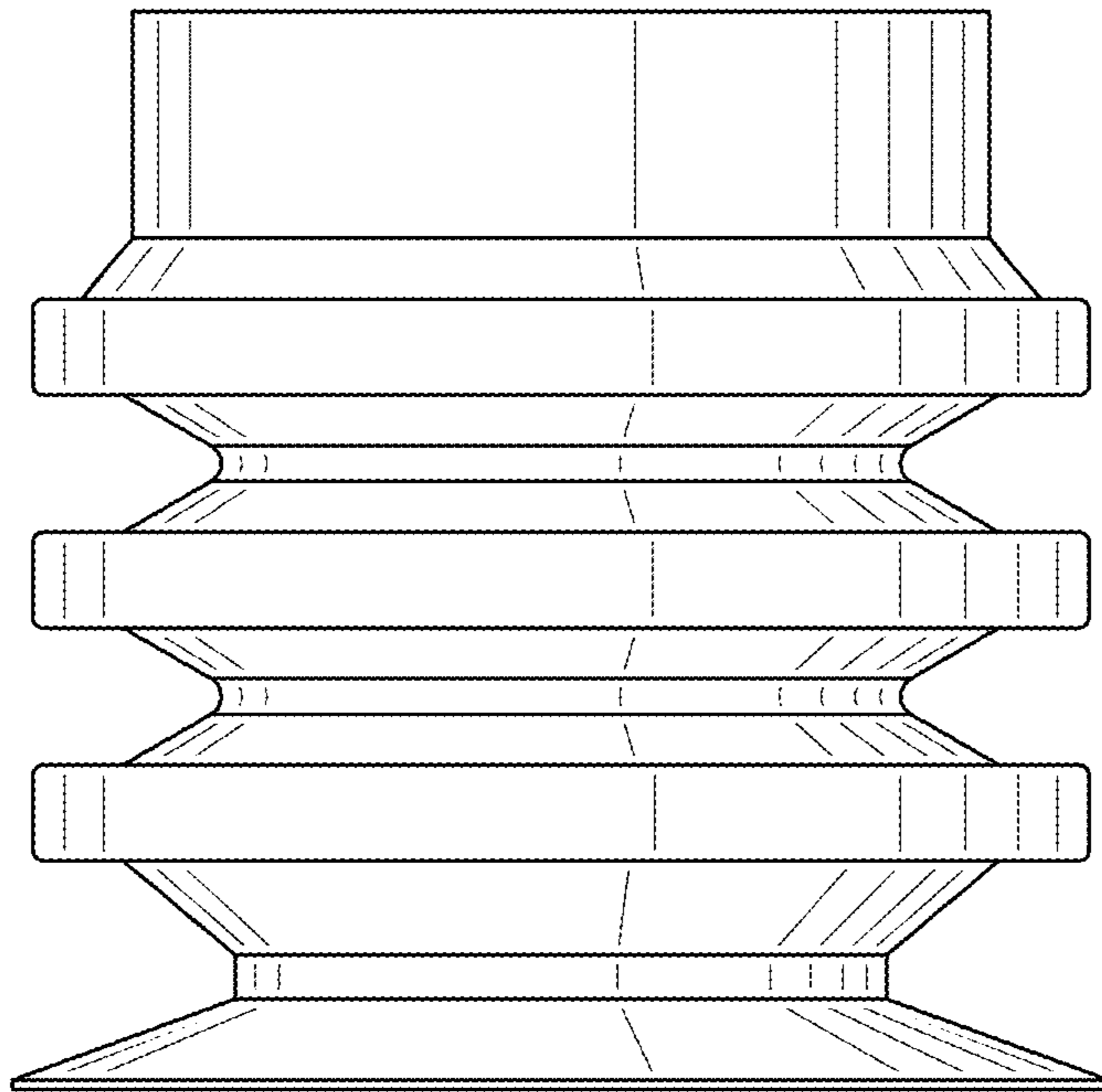


FIG. 45

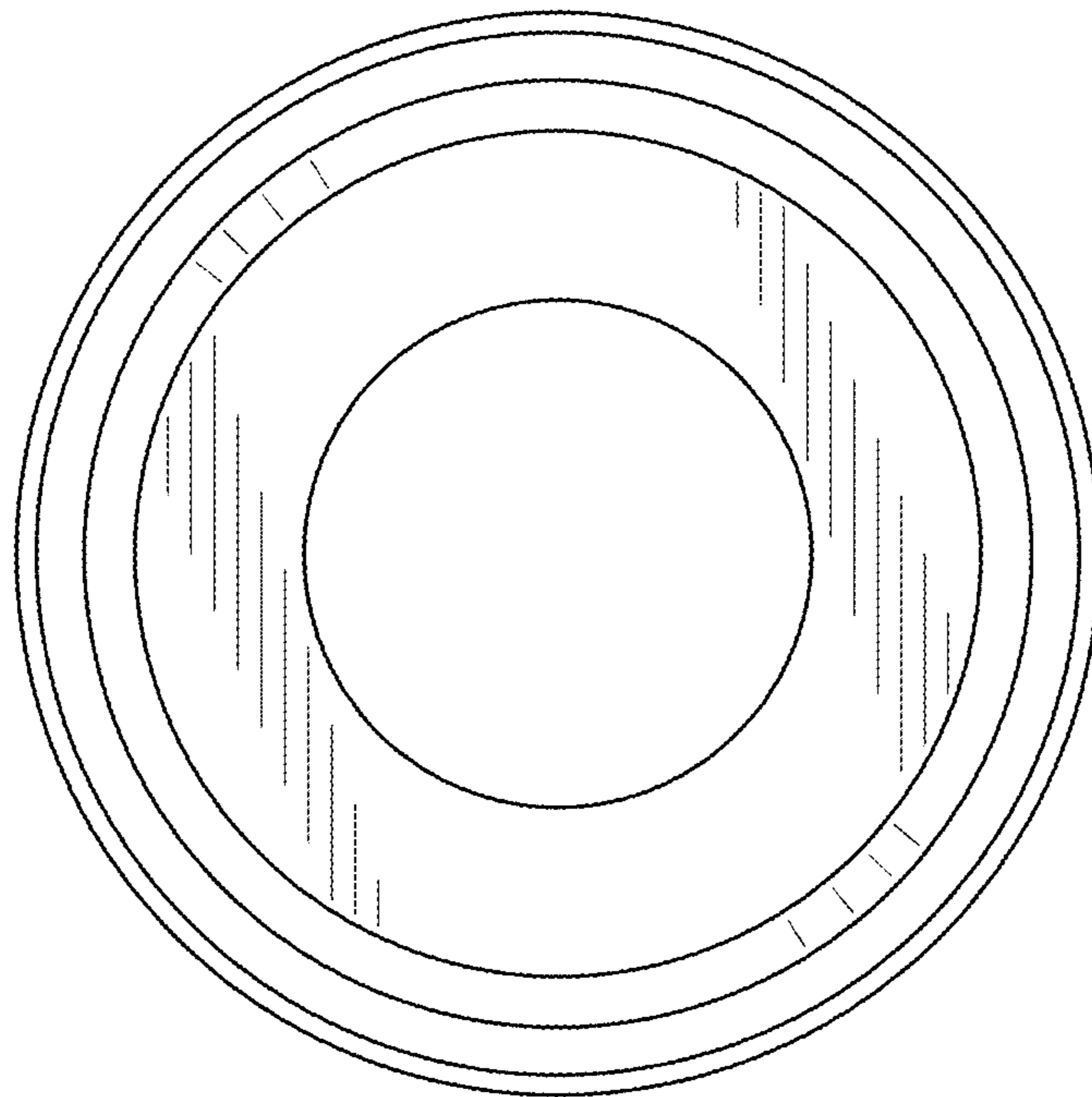


FIG. 46

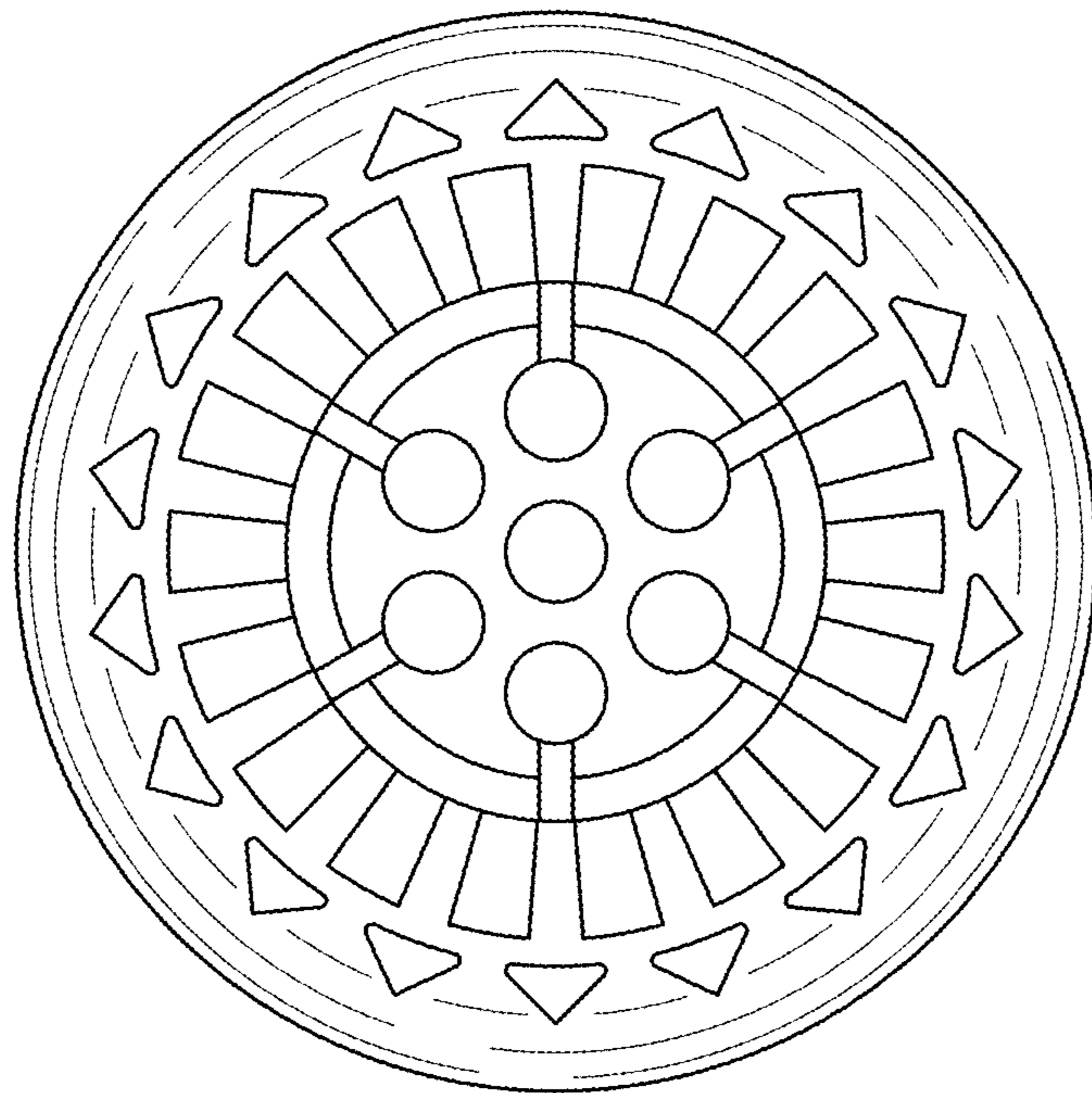


FIG. 47

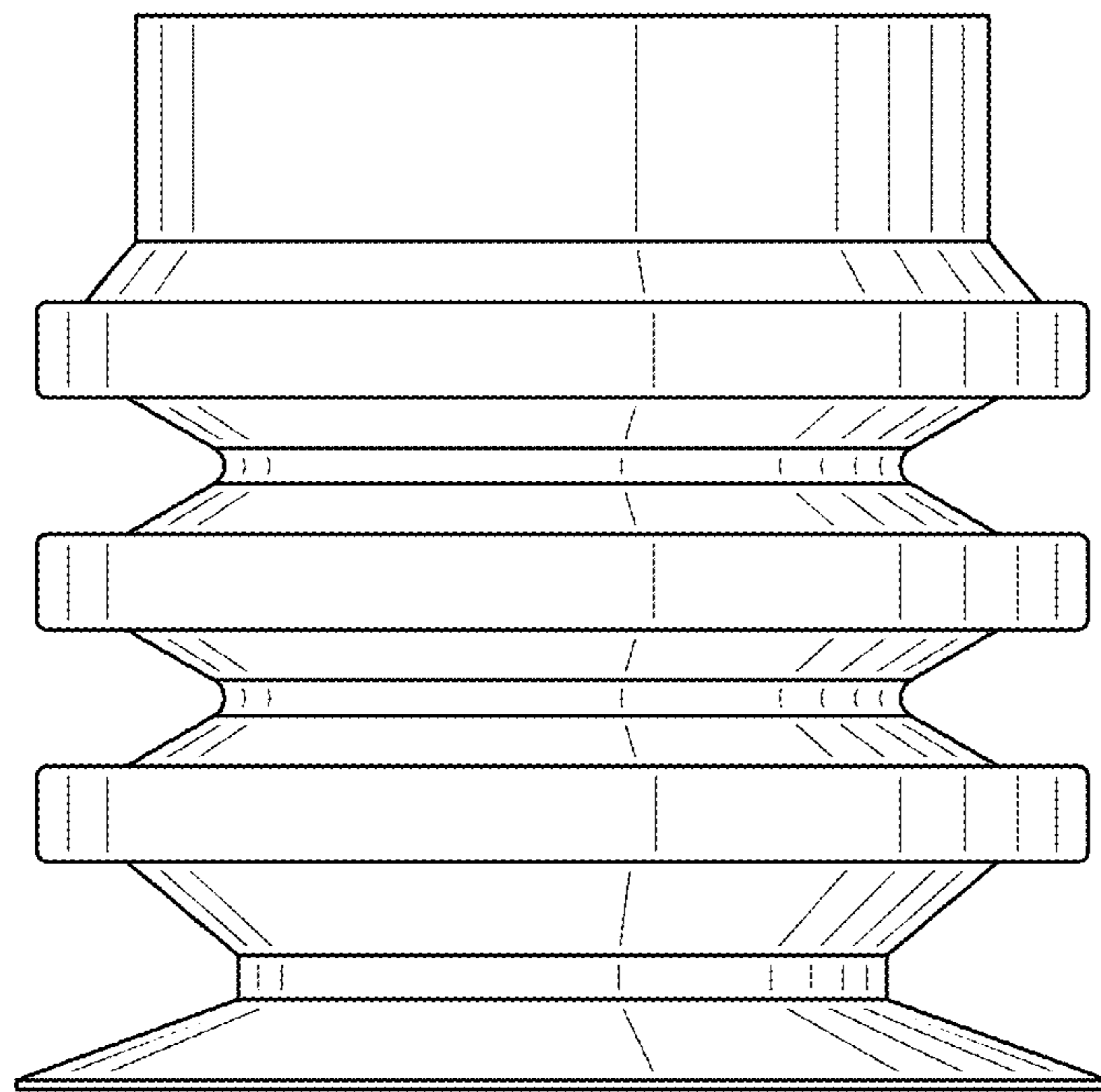


FIG. 48

