



US00D924510S

(12) **United States Design Patent**
Gray et al.

(10) **Patent No.:** **US D924,510 S**
(45) **Date of Patent:** **** Jul. 6, 2021**

(54) **FRAME FOR A STICK VACUUM CLEANER**

(71) Applicant: **Aktiebolaget Electrolux**, Stockholm (SE)

(72) Inventors: **Anna-Karin Gray**, Stockholm (SE);
Christian Ågren, Stockholm (SE);
Emma Rydahl, Stockholm (SE)

(73) Assignee: **Aktiebolaget Electrolux**

(**) Term: **15 Years**

(21) Appl. No.: **29/686,937**

(22) Filed: **Apr. 9, 2019**

(51) **LOC (13) Cl.** **15-05**

(52) **U.S. Cl.**
USPC **D32/22**

(58) **Field of Classification Search**
USPC D32/15, 17, 18, 21, 23, 24, 31, 22;
D21/526

CPC ... A47L 5/24; A47L 5/225; A47L 5/28; A47L 5/30; A47L 5/34; A47L 5/362; A47L 5/365; A47L 9/0411; A47L 9/1409; A47L 9/1481; A47L 9/16; A47L 9/1608; A47L 9/1675; A47L 9/1683; A47L 9/1691; A47L 9/2852; A47L 9/32; A47L 9/322; A47L 9/325; A47L 11/20; A47L 11/24; A47L 11/26; A47L 11/28; A47L 11/30; A47L 11/302; A47L 11/34; A47L 11/4011; A47L 11/4036; A47L 11/4044; A47L 11/4052; A47L 11/4083; A47L 13/225; A47L 2201/00; A47L 2201/022; A14L 7/0004; A14L 7/0095; B23Q 11/0046; B23Q 11/0071; B25D 16/00; B04C 1/00; B04C 5/185; D01H 11/005; D01H 5/645; F26B 11/12

See application file for complete search history.

(56) **References Cited**

U.S. PATENT DOCUMENTS

D361,803 S * 8/1995 Houry D21/526
D453,596 S * 2/2002 Farone D32/31

(Continued)

FOREIGN PATENT DOCUMENTS

JP D1648968 * 1/2020
KR 301047188 * 2/2020

OTHER PUBLICATIONS

Oreck Magnesium RS, available in Oreck.com, customer review oldest date Oct. 31, 2012 [online], [site visited Oct. 30, 2020], Available from the internet URL: https://www.oreck.com/magnesium-rs/LW1500RS.html?gclid=Cj0KCQjwit_8BRCoARIsAlx3Rj4axm74Okewt-mQokiPfcnedRGZXE0UuS-9CZwG724rOV-hq5XwceQaAhRBEALw_wcB (Year: 2012).*

(Continued)

Primary Examiner — Dana K Weiland
Assistant Examiner — Jennylou M Binas
(74) *Attorney, Agent, or Firm* — RatnerPrestia

(57) **CLAIM**

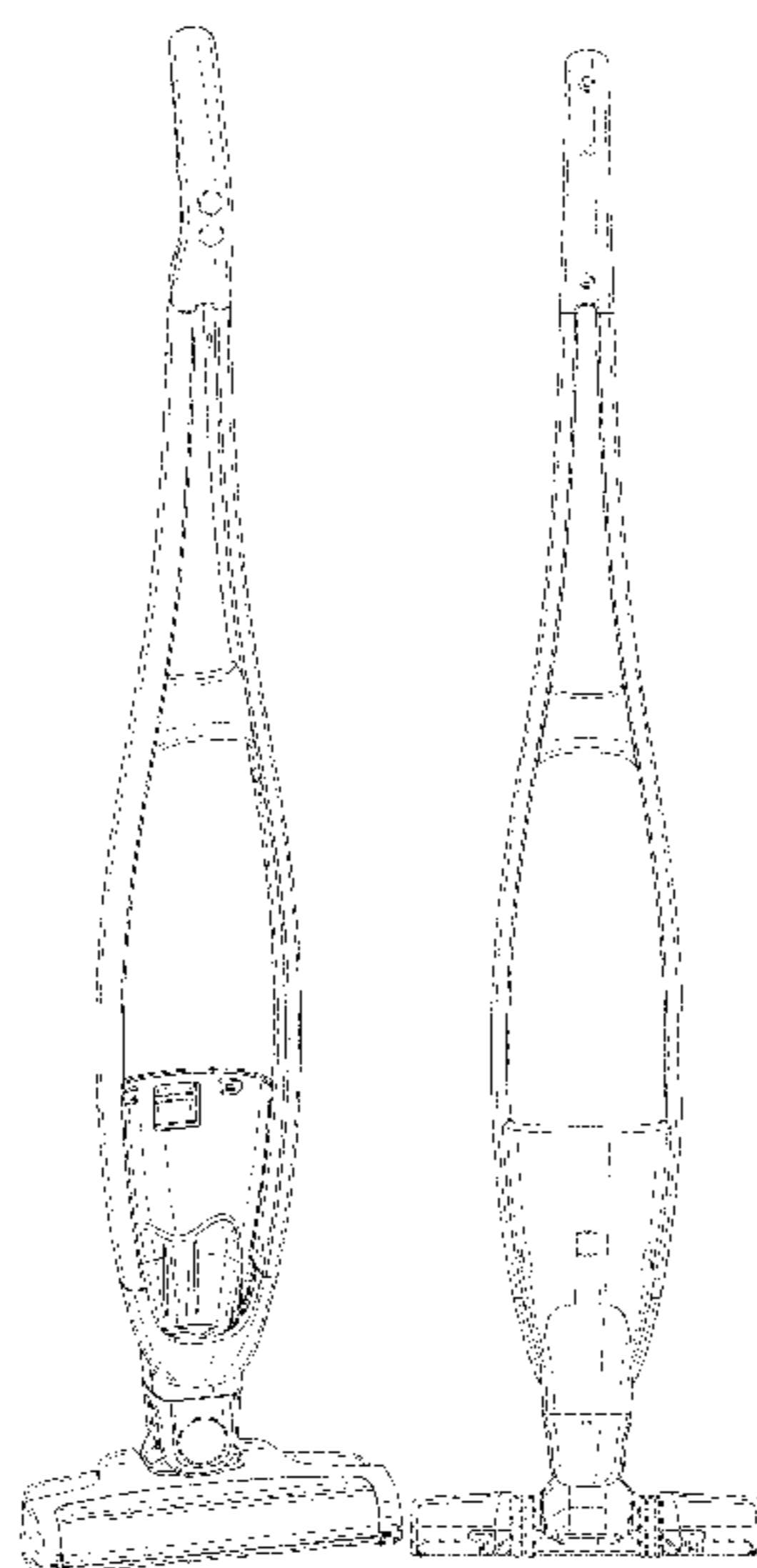
The ornamental design for a frame for a stick vacuum cleaner, as shown and described.

DESCRIPTION

FIG. 1 is a perspective view of a frame for a stick vacuum cleaner showing our new design;
FIG. 2 is a front elevation view thereof;
FIG. 3 is a right side elevation view thereof;
FIG. 4 is a left side elevation view thereof;
FIG. 5 is a rear elevation view thereof;
FIG. 6 is a top plan view thereof; and,
FIG. 7 is a bottom plan view thereof.

The dashed broken lines in the drawings are for the purpose of illustrating unclaimed portions of the frame for a stick vacuum cleaner and form no part of the claimed design, and the long dash-short dash-long dash broken lines illustrate the boundary of the claimed design and form no part thereof.

1 Claim, 6 Drawing Sheets



(56)

References Cited

U.S. PATENT DOCUMENTS

D456,964 S *	5/2002	Alford	D32/22
D475,822 S *	6/2003	Kalman	D32/31
D488,894 S *	4/2004	Leyden	D32/22
D564,156 S *	3/2008	Ågren	D32/31
7,979,952 B2 *	7/2011	Beskow	A47L 9/04 15/322
D759,920 S *	6/2016	Gray	D32/31
D767,222 S *	9/2016	Houghton	D32/31
D776,888 S *	1/2017	Gu	D32/22
D811,030 S *	2/2018	Jang	D32/31
D834,776 S *	11/2018	Houghton	D32/22
2002/0088081 A1 *	7/2002	Vystrcil	A47L 5/30 15/389
2006/0185117 A1 *	8/2006	Seo	A47L 7/04 15/339
2009/0276975 A1 *	11/2009	Vines	A47L 11/302 15/347
2010/0242209 A1 *	9/2010	Beskow	A47L 5/24 15/329
2014/0196248 A1 *	7/2014	Morgan	A47L 9/1683 15/353

OTHER PUBLICATIONS

Electrolux PureQ9, announced in YouTube on Sep. 13, 2019 [online], [site visited Oct. 30, 2020], Available from the internet URL: <https://www.youtube.com/watch?v=-kHOvem90sQ> (Year: 2019).*

QX9 Cordless Vacuum Cleraner, available in aeg.co.uk, customer review oldest date Apr. 12, 2020 [online], [site visited Nov. 2, 2020], Available from the internet URL: <https://www.aeg.co.uk/vacuums-home-comfort/vacuum-cleaners/cordless-vacuum-cleaners/cordless-sticks/qx9-1-anim/> (Year: 2020).*

Electrolux Ergorapido Brushroll, available in pixelsquid.com Year 2020 [online], [site visited Oct. 30, 2020], Available from the internet URL: <https://www.groupon.com/deals/gg-electrolux-ergorapido-brushroll-clean-2-in-1-vacuum-cleaner> (Year: 2020).*

* cited by examiner

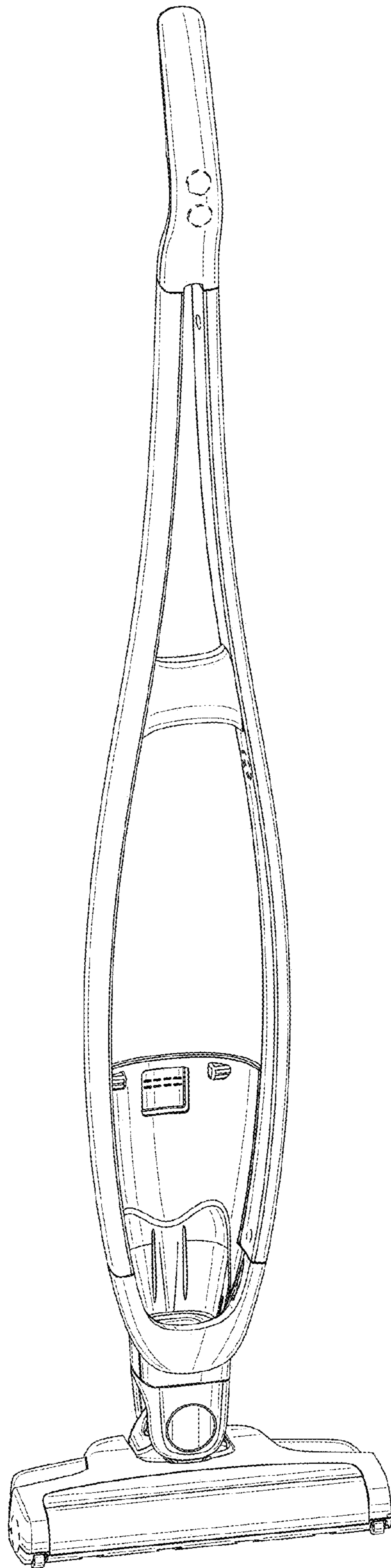


FIG. 1

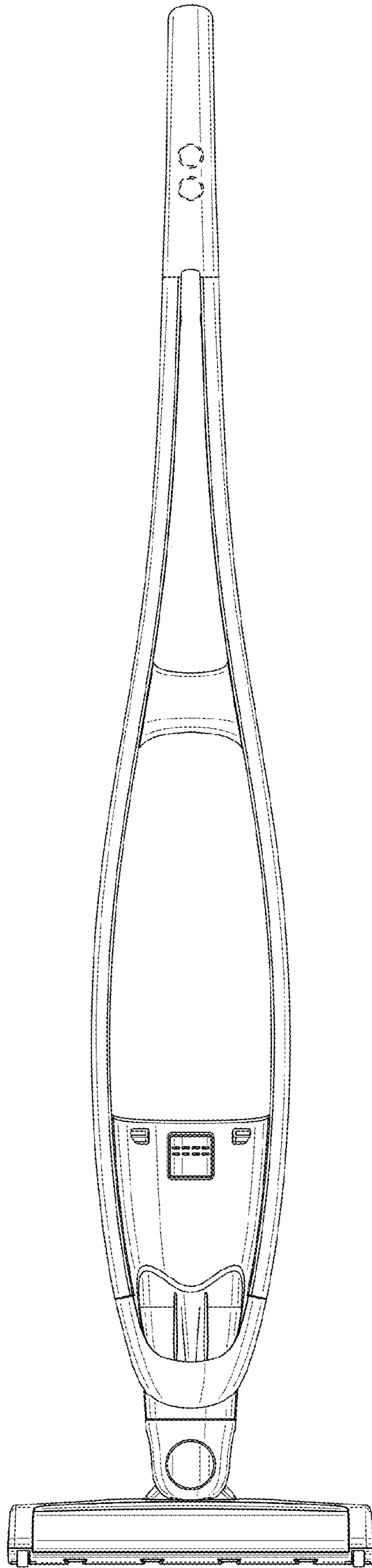


FIG. 2

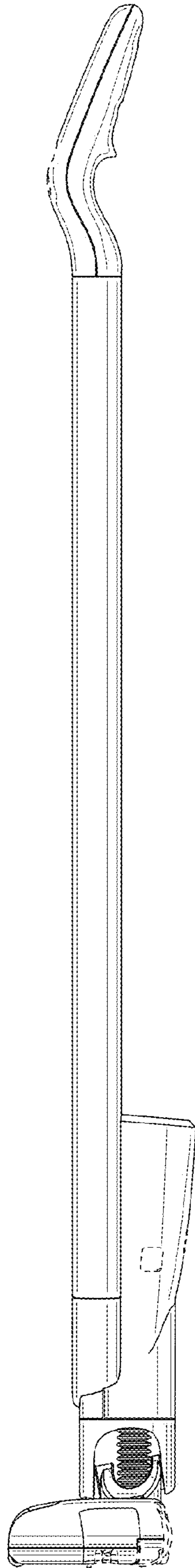


FIG. 3

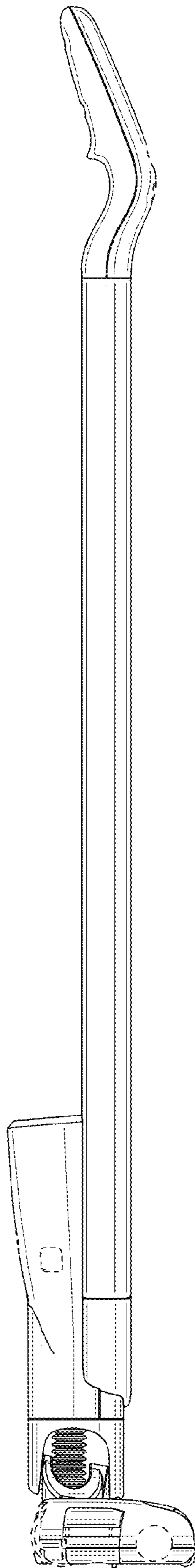


FIG. 4

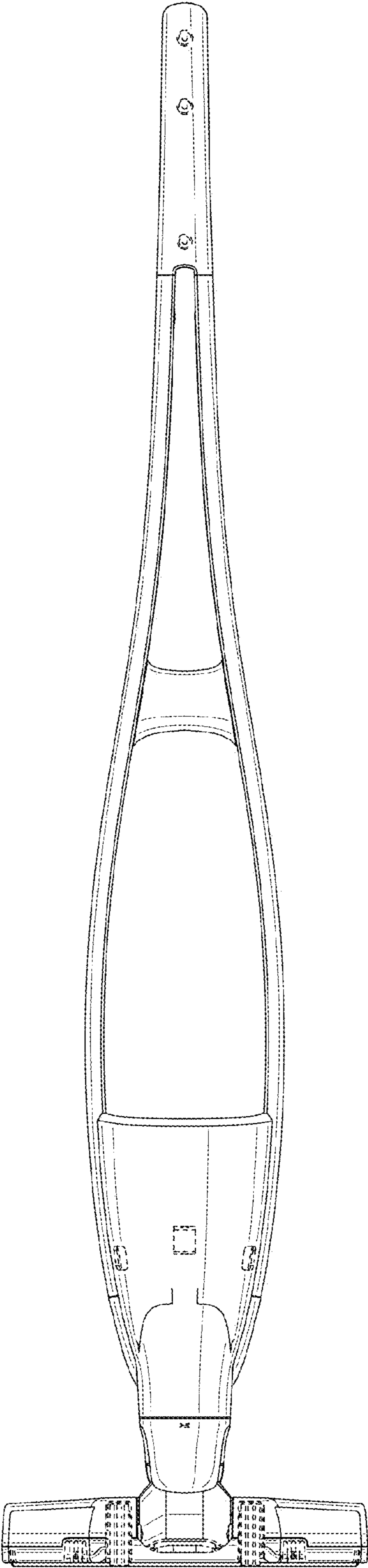


FIG. 5

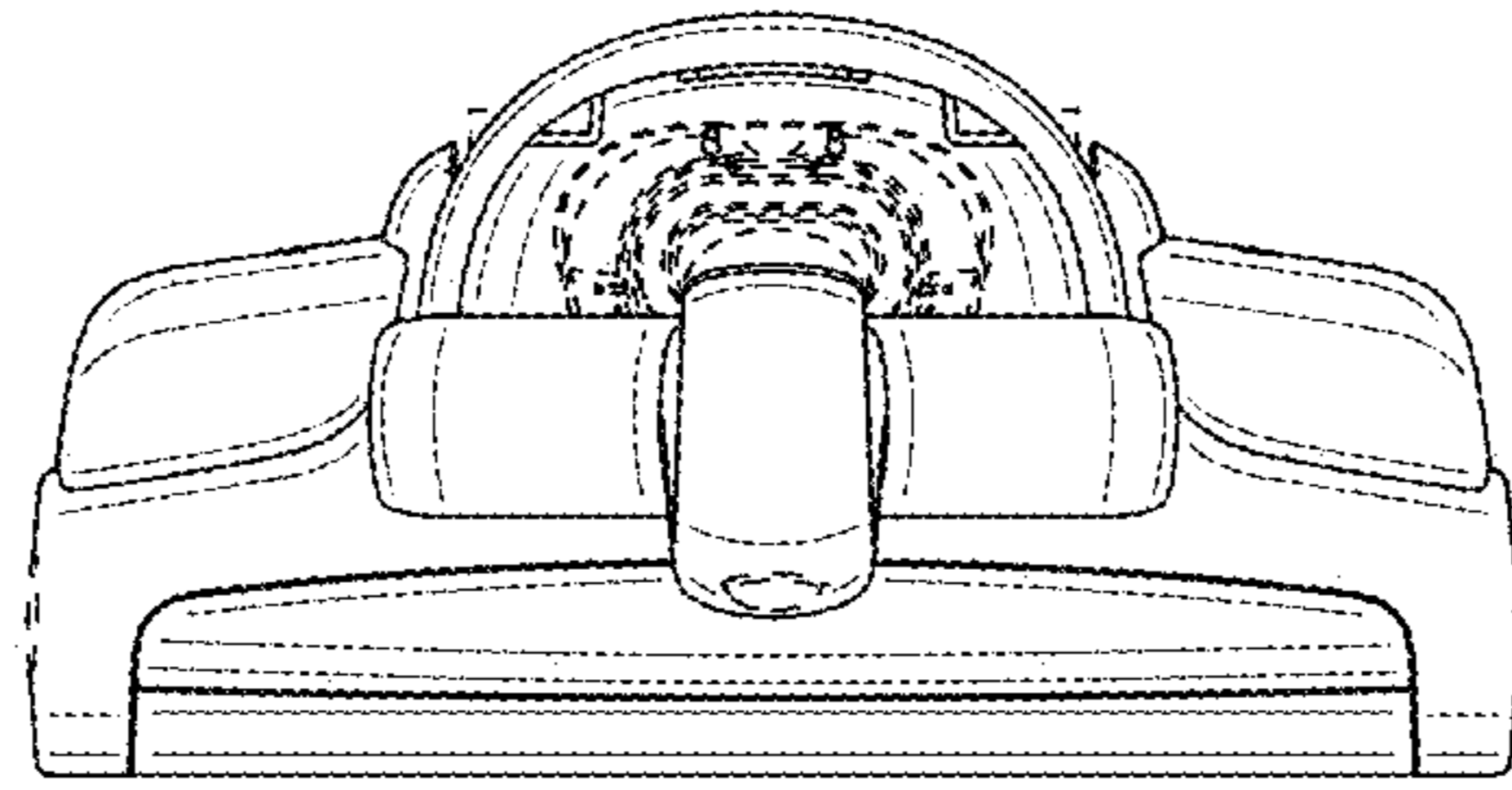


FIG. 6

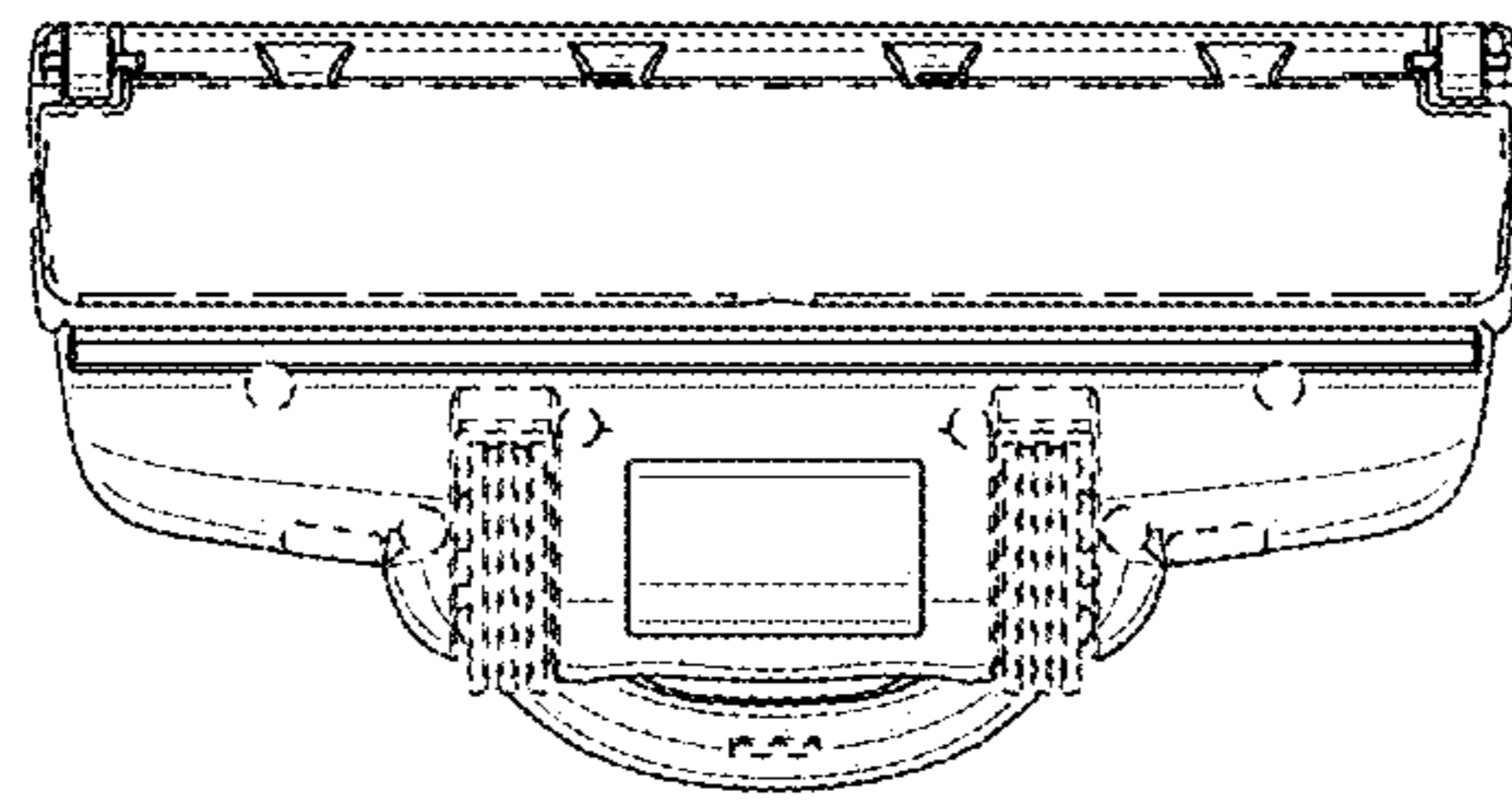


FIG. 7