



US00D924509S

(12) **United States Design Patent**
Niedzwecki et al.

(10) **Patent No.:** **US D924,509 S**
(45) **Date of Patent:** **** Jul. 6, 2021**

- (54) **VACUUM CLEANER**
- (71) Applicant: **SharkNinja Operating, LLC**,
Needham, MA (US)
- (72) Inventors: **Scott B. Niedzwecki**, East Walpole,
MA (US); **Junghwan Chei**, Chestnut
Hill, MA (US)
- (73) Assignee: **SharkNinja Operating LLC**,
Needham, MA (US)
- (**) Term: **15 Years**
- (21) Appl. No.: **29/669,498**
- (22) Filed: **Nov. 8, 2018**
- (51) **LOC (13) Cl.** **15-05**
- (52) **U.S. Cl.**
USPC **D32/22**
- (58) **Field of Classification Search**
USPC D32/15-25, 29, 31-34
CPC . A47L 9/00; A47L 9/0063; A47L 9/02; A47L
9/04; A47L 9/0422; A47L 9/32; A47L
9/322; A47L 9/325; A47L 9/327; A47L
11/00; A47L 11/22; A47L 11/24; A47L
11/32; A47L 11/4075; A47L 11/4094;
A47L 11/20; A47L 11/40; A47L 5/24;
A47L 5/28; A47L 7/02; A47L 5/225;
A47L 5/36; A47L 9/0018
See application file for complete search history.

(56) **References Cited**

U.S. PATENT DOCUMENTS

D537,584 S *	2/2007	Greene	D32/22
D662,272 S *	6/2012	Conrad	D32/31
8,296,900 B2 *	10/2012	Conrad	A47L 9/1658 15/351
D685,961 S *	7/2013	Bilger	D32/31
D686,377 S *	7/2013	Thorne	D32/31

8,528,164 B2 *	9/2013	Conrad	A47L 5/28 15/347
8,578,553 B2 *	11/2013	Conrad	A47L 9/00 15/326
D739,620 S *	9/2015	Johnson	D32/22

(Continued)

OTHER PUBLICATIONS

Presenting the Shark Navigator Pet Plus (on-line), dated Apr. 25, 2019. Retrieved from Internet Jun. 17, 2020, URL: <https://www.youtube.com/watch?v=STXK4I9pSvw> (1 page) (Year: 2019).*

(Continued)

Primary Examiner — Kimberly Barnes

(74) *Attorney, Agent, or Firm* — Grossman Tucker
Perreault & Pfeleger, PLLC

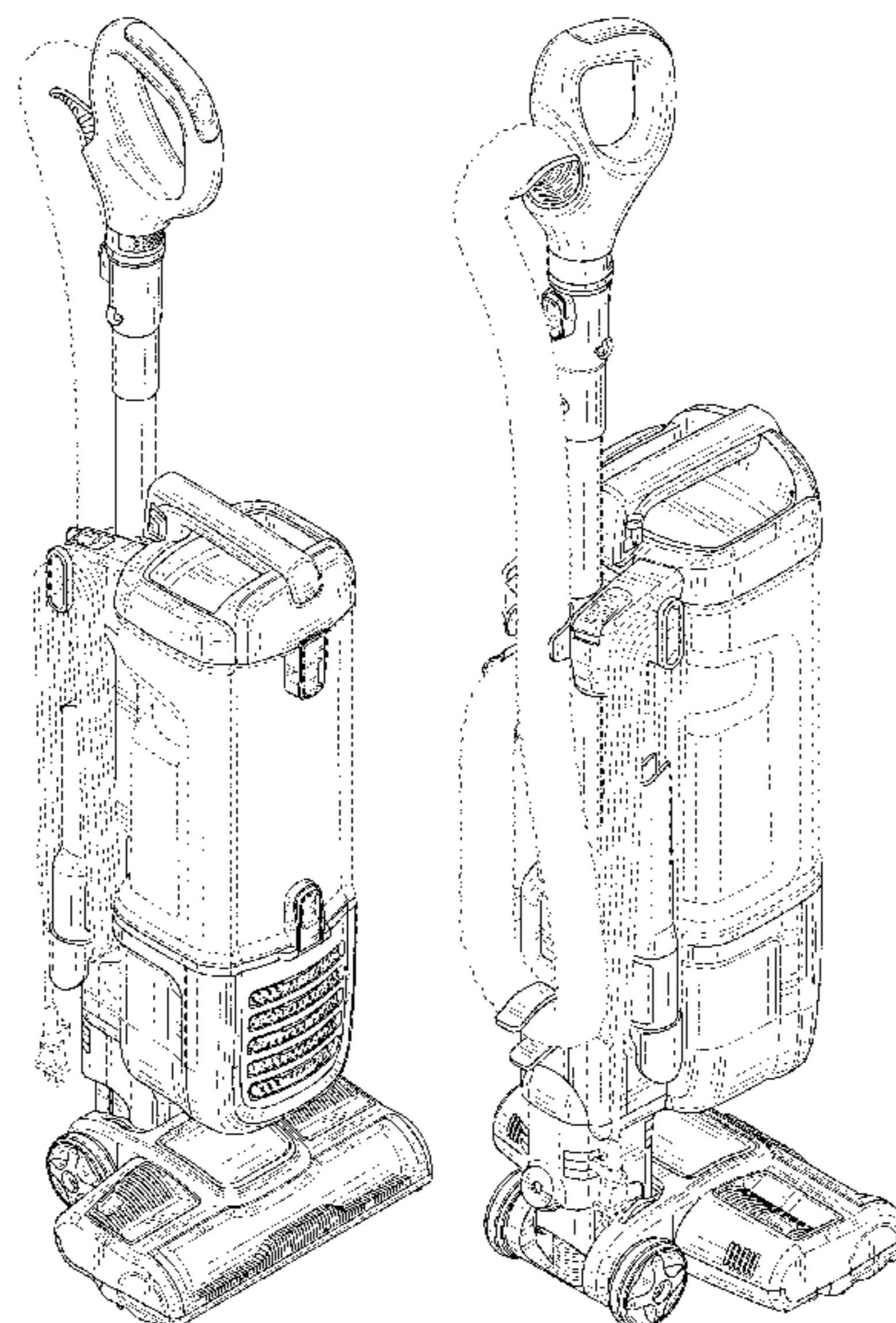
(57) **CLAIM**

The ornamental design for a vacuum cleaner, as shown and described.

DESCRIPTION

FIG. 1 is a front, top, right perspective view of a vacuum cleaner, showing our new design;
 FIG. 2 is a front view thereof;
 FIG. 3 is a rear view thereof;
 FIG. 4 is a left view thereof;
 FIG. 5 is a right view thereof;
 FIG. 6 is a top view thereof;
 FIG. 7 is a bottom view thereof;
 FIG. 8 is a front, top, left perspective view thereof;
 FIG. 9 is a rear, top, right perspective view thereof;
 FIG. 10 is a rear, top, left perspective view thereof;
 FIG. 11 is a front, bottom, right perspective view thereof;
 FIG. 12 is a rear, bottom, right perspective view thereof;
 FIG. 13 is a rear, bottom, left perspective view thereof; and,
 FIG. 14 is a front, bottom, left perspective view thereof.
 The broken lines depict portions of the vacuum cleaner that form no part of the claimed design.

1 Claim, 13 Drawing Sheets



(56)

References Cited

U.S. PATENT DOCUMENTS

D740,505 S * 10/2015 Gidwell D32/31
 9,392,919 B2 * 7/2016 Kasper A47L 9/0466
 9,402,516 B2 * 8/2016 Pilch A47L 9/1691
 D769,557 S * 10/2016 Johnson D32/22
 D770,106 S * 10/2016 Johnson D32/22
 D770,109 S * 10/2016 Chu, Jr. D32/32
 D772,510 S * 11/2016 Palladino D32/31
 9,591,953 B2 * 3/2017 Conrad A47L 9/2847
 D784,636 S * 4/2017 Canas D32/22
 9,693,665 B2 * 7/2017 Khalil A47L 9/1691
 D804,120 S * 11/2017 Bond D32/31
 9,814,361 B2 * 11/2017 Bilger A47L 5/225
 D804,751 S * 12/2017 Johnson D32/22
 10,085,603 B2 * 10/2018 Kim A47L 5/28
 D874,762 S * 2/2020 Tang D32/22
 D882,195 S * 4/2020 Palladino D32/31
 D887,656 S * 6/2020 Chei D32/22
 2014/0041149 A1 * 2/2014 Henderson A47L 5/28
 15/347

OTHER PUBLICATIONS

Shark Navigator Zero-M Pet Pro Upright (on-line), dated Jul. 3, 2019. Retrieved from Internet Jun. 17, 2020, URL: <https://web.archive.org/web/20190703070709/https://www.kohls.com/product/prd-3704886/shark-navigator-zero-m-pet-pro-upright-vacuum.jsp> (2 pages) (Year: 2019).*

* cited by examiner

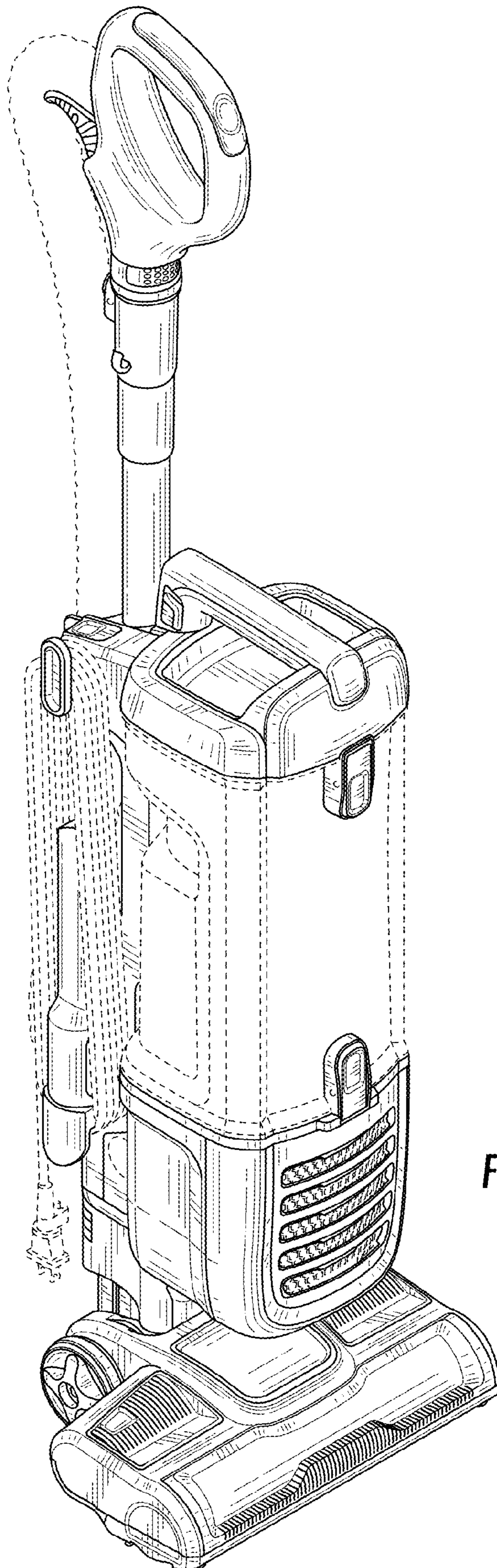


FIG. 1

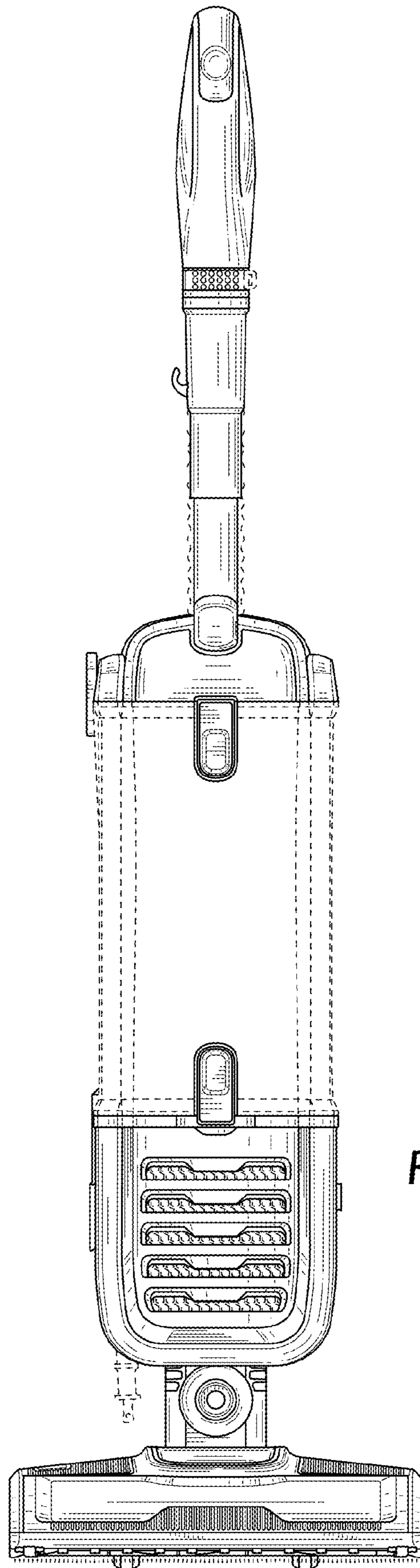


FIG. 2

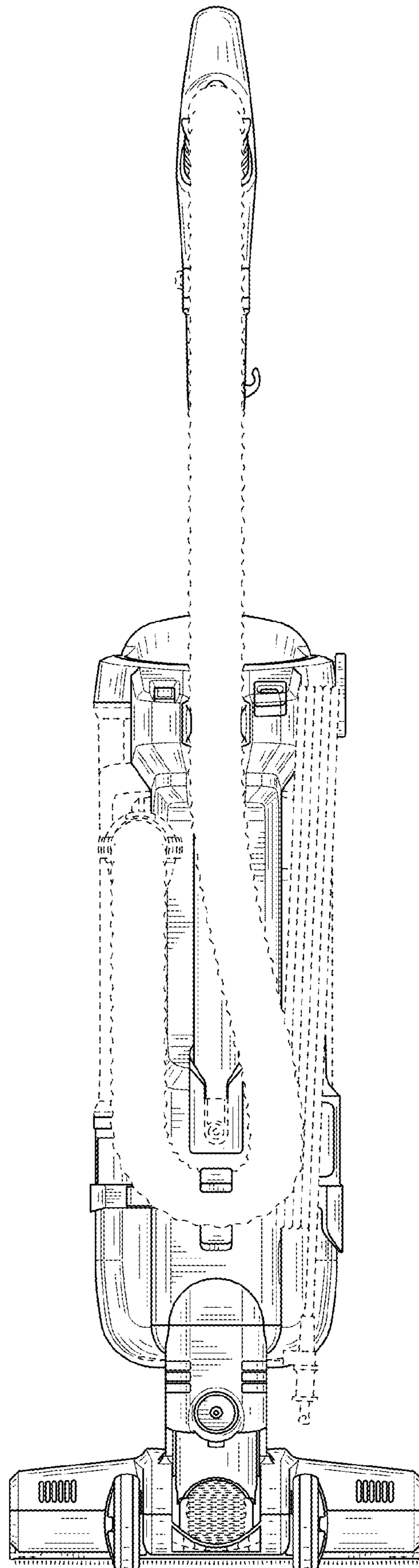


FIG. 3

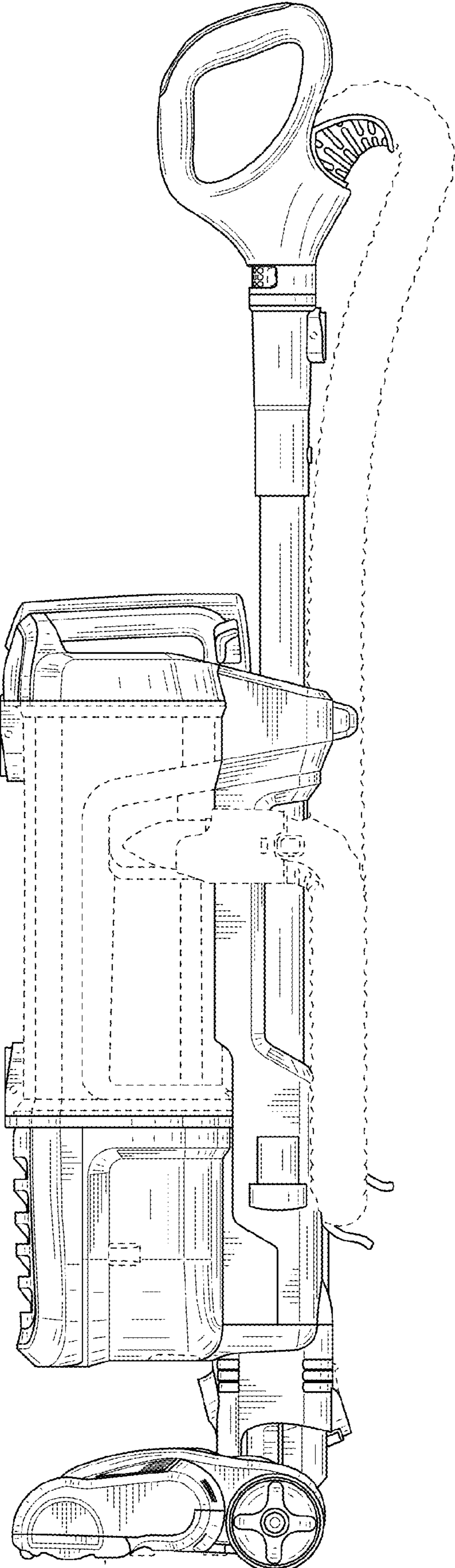


FIG. 4

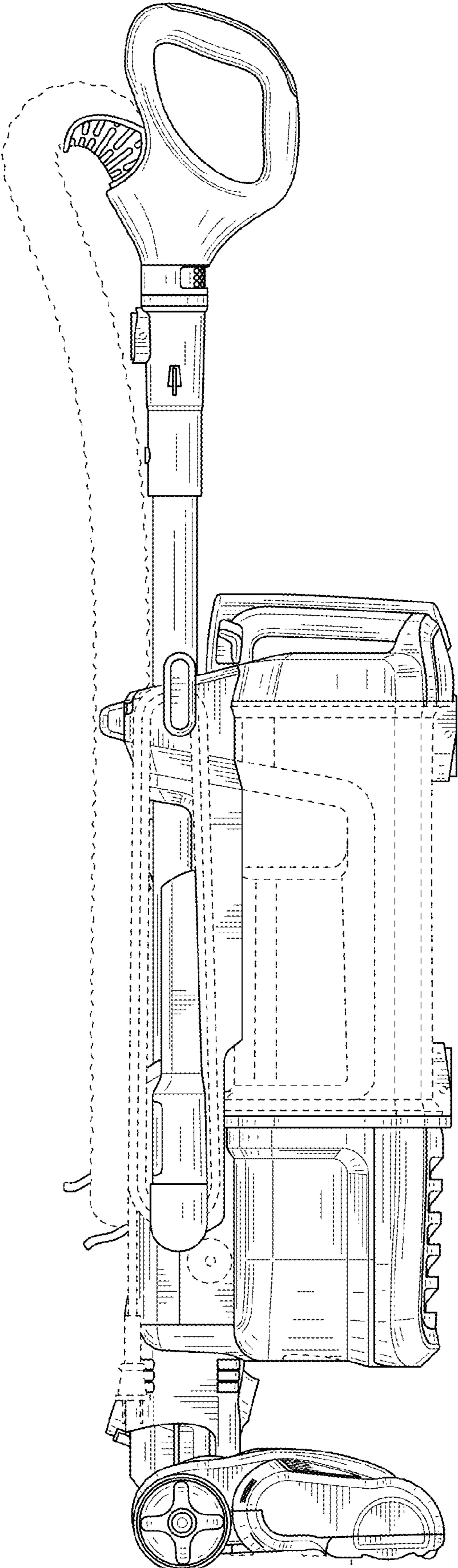


FIG. 5

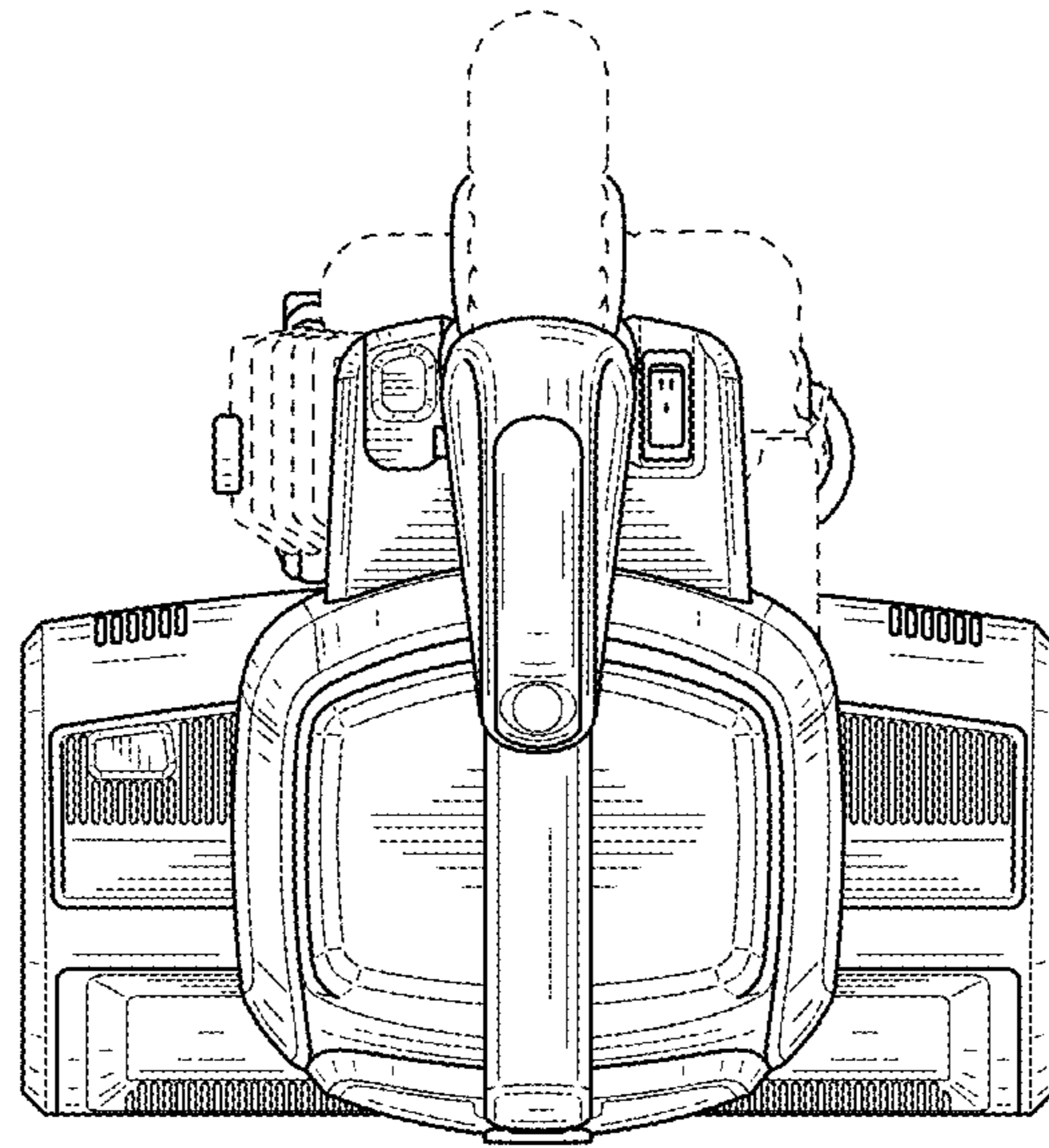


FIG. 6

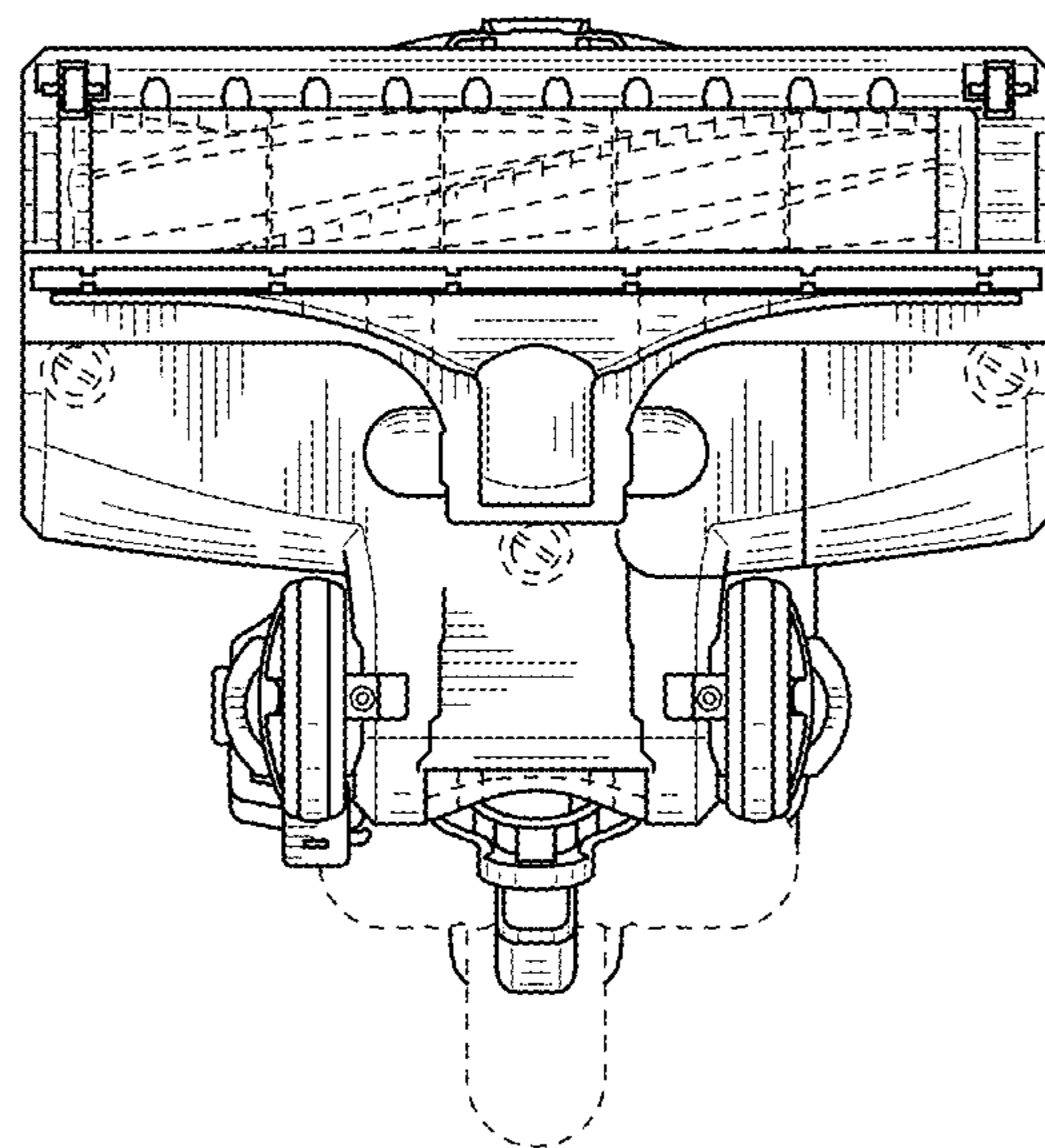


FIG. 7

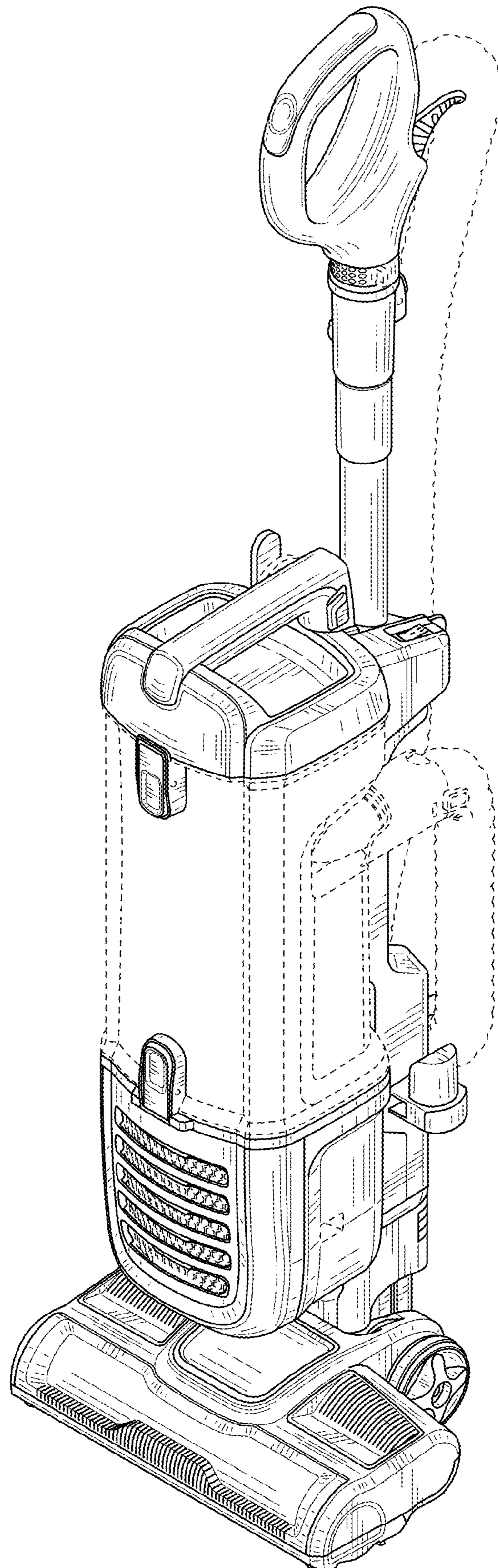


FIG. 8

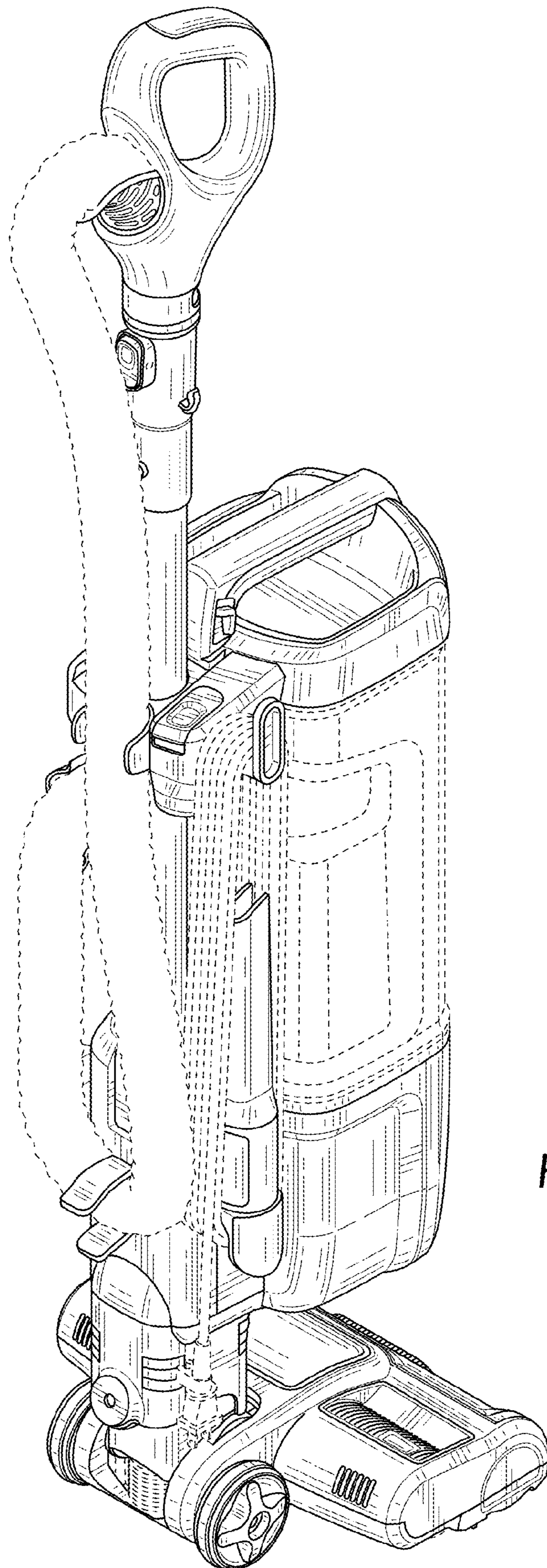


FIG. 9

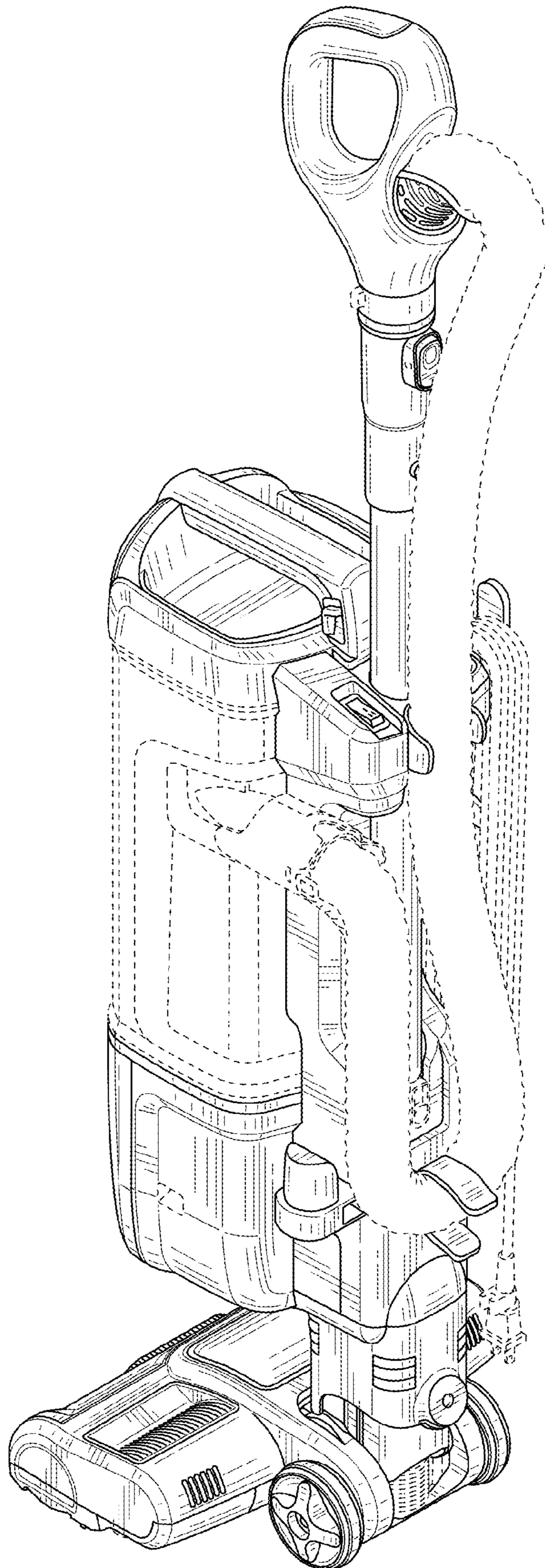


FIG. 10

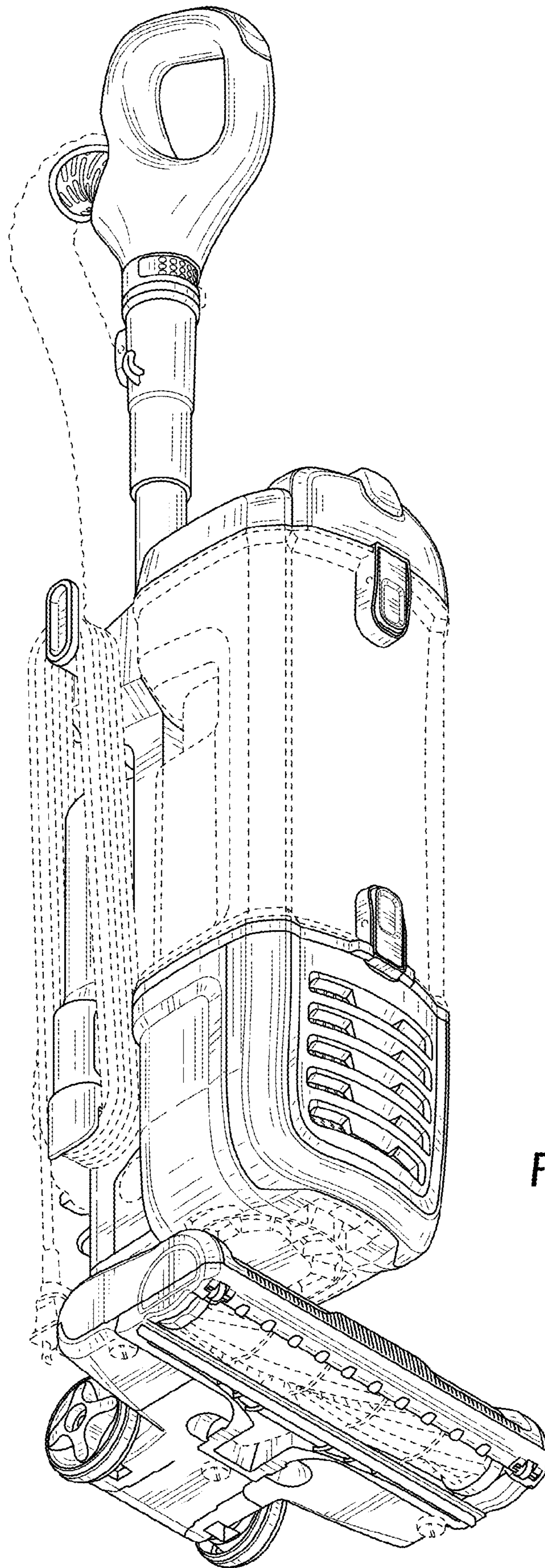


FIG. 11

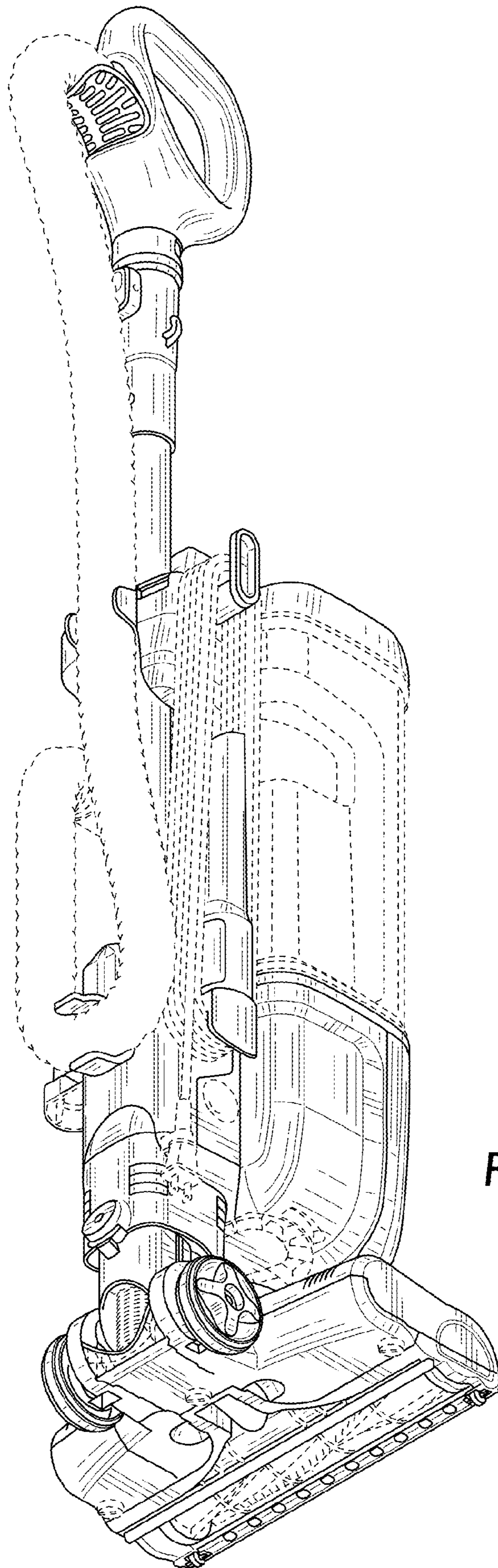


FIG. 12

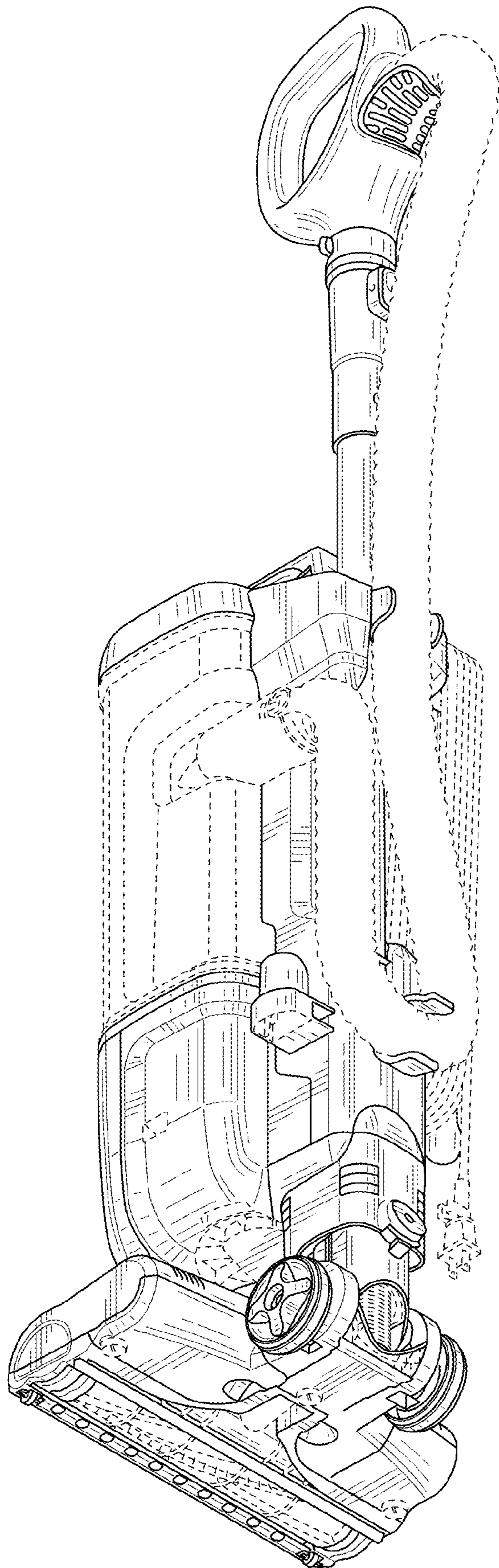


FIG. 13

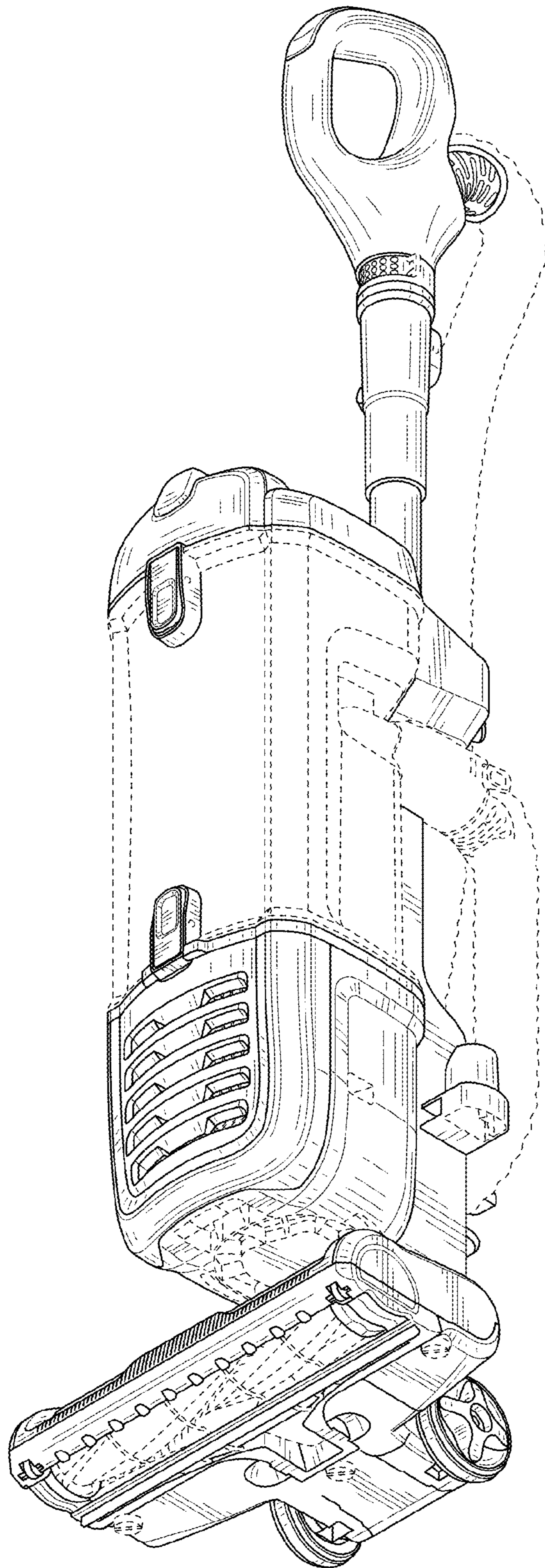


FIG. 14